

# **ASHLAND INDUSTRIES**

## Parts Manual

10-16

# ***I-155TS-002***



1115 Rail Drive  
P.O. Box 717  
Ashland, WI U.S.A.  
Toll Free: (877) 634-4622  
Business: (715) 682-4622  
Fax: (715) 682-9717

***Ashland Industries***

*Crafting Quality since 1953!*

[www.ashlandind.com](http://www.ashlandind.com)  
[www.scraperdrawbar.com](http://www.scraperdrawbar.com)

# Table of Contents

## Categorized Listing

<b>ASHLAND SCRAPERS</b>	<b>1</b>
Introduction	1
Operation and Maintenance	2
Assembly - 155T-R-001	5
Transport Locks (TS)	6
Swivel Hitch (#A125223)	7
Sub-Assembly - Hitch - Swivel (#A125224) Optional	9
Apron - A123310	11
Bowl & Frame - 701012	12
Front Section - 704009	14
Push-Off - 702008	15
Rear Wheel (155-175)	17
Apron Cylinder - A125050	18
Lift Cylinder - A123326	19
Push-Off Cylinder - 400225	20
Hydraulic Schematic	21
Hydraulic Accumulator	22
Hydraulic Manifold - A125174	23
Parts - Hydraulic Valve Ports	24
Hydraulic Valve Seals	25
Decals Illustration (155TS2)	26
Parts - Decals	27
Service: Grease Locations	28
Tire Inflation	29
Tire Service	30
Troubleshooting	31
Warrantee Statement	32

---

# Table of Contents

## Alphabetized Listing

<b>A</b>	
Apron - A123310	11
Apron Cylinder - A125050	18
ASHLAND SCRAPERS	1-32
Assembly - 155T-R-001	5
<b>B</b>	
Bowl & Frame - 701012	12
<b>D</b>	
Decals Illustration (155TS2)	26
<b>F</b>	
Front Section - 704009	14
<b>H</b>	
Hydraulic Accumulator	22
Hydraulic Manifold - A125174	23
Hydraulic Schematic	21
Hydraulic Valve Seals	25
<b>I</b>	
Introduction	1
<b>L</b>	
Lift Cylinder - A123326	19
<b>O</b>	
Operation and Maintenance	2
<b>P</b>	
Parts - Decals	27
Parts - Hydraulic Valve Ports	24
Push-Off - 702008	15
Push-Off Cylinder - 400225	20
<b>R</b>	
Rear Wheel (155-175)	17
<b>S</b>	
Service: Grease Locations	28
Sub-Assembly - Hitch - Swivel (#A125224)	9
Swivel Hitch (#A125223)	7
<b>T</b>	
Tire Inflation	29
Tire Service	30
Transport Locks (TS)	6
Troubleshooting	31
<b>W</b>	
Warranty Statement	32



## ASHLAND SCRAPERS

### Introduction

Thank you for choosing an Ashland scraper for your earthmoving needs. Years of research, testing and successful application have been spent to ensure quality and maximum performance for our customers.

#### QUALITY POLICY

**It is our mission to exceed our customers' expectations in quality, delivery, and cost through continuous improvement and customer interaction.**

Please read and understand this manual before attempting to attach or operate this scraper. This manual should always remain with the machine. Be sure and fill out and send in the owners registration form at the beginning of this manual, or you may fill out the form on-line by going to [ashlandind.com](http://ashlandind.com) and click on "Register your Machine" at the bottom of the page. If you have questions, please feel free to call or email us. You can visit us on-line at [www.ashlandind.com](http://www.ashlandind.com).

Ashland Industries hours of operation are 8:00 a.m. to 5:00 p.m. CST. We can be reached toll free at: 877-634-4622.

#### SCRAPER ID NUMBER

The serial number plate for the scraper is located on the right rear area of the scraper. The letter and numbers stamped identify the serial number, model number and capacity of the scraper. Please record this serial number for use in ordering parts, warranty issues and to track your equipment if it is ever stolen.

References to serial number breaks on parts are located in the manual with a reference sequence of XXXXX-XXXXX. The beginning number records the serial number start of the use of that part. The ending number is the final serial number use of the part within this machine.



#### IMPORTANT

Parts must be ordered through your local authorized ASHLAND dealer. Be sure to state MODEL and SERIAL NUMBER of your machine. Ashland Industries weldable replacement parts are also available to rebuild, modify or update your scraper to current factory specifications.

**ASHLAND SCRAPERS****Operation and Maintenance**

Your Ashland scraper is a durable piece of equipment and with proper care will yield many years of trouble free operation. However, the life of your scraper can be severely shortened by poor maintenance. You must follow consistent maintenance practices and use good quality grease and hydraulic oil (compatible with the power unit's hydraulic system) to insure the longer, most productive use from your scraper.

Your scraper should be greased at all points where grease fittings are provided. **REMOVE TRANSPORT LOCKS** prior to operation. Next, extend and retract all cylinders several times to force out any air from the hydraulic cylinders and lines. Check the oil levels in the tractor hydraulic system and add to maintain the proper level. Care should be used when adding oil or when disconnecting any oil line to keep all dirt out of the oil as dirt is a major factor in the failure of hydraulic components.

When your scraper is placed into operation, the operator will have to "feel out" the amount of depth of cut to obtain maximum loading efficiency. This is usually accomplished by taking a lesser and more uniform cut; however, some soil conditions such as loose sand may require a "pumping action" obtained by taking successive deep cuts and lifting out of cut as the tractor begins to lose power or traction.

- After 8 hours of operation, all bolts should be checked and tightened if necessary and all grease fittings lubricated. Check tire pressures daily. Also, check pins and cutting edges for signs of wear.
- After 50 hours work, all bolts should be rechecked and tightened if necessary. Check wheel bearings and adjust if necessary.
- Check wheel lug nut torque.
  - After first 2 hours of operation.
  - Recheck daily for the next 2 weeks.
  - Tighten wheel lug nuts in a star pattern.
  - Torque wheel lug nut (see Torque Specifications).
- After 300 hours work, clean and repack wheel bearings and replace, if necessary, cutting edges, worn pins, etc.



**Failure to replace worn cutting edges may result in unnecessary wear to the earthmover sides and floor.**

**ASHLAND SCRAPERS****Operation and Maintenance**

Before starting a job, make sure Diggers Hot Line has been contacted and all underground utilities have been properly located (electric, phone and pipelines). Have a clear understanding of all local, OSHA and MSHA rules that apply to the job. Beware of your environment and keep others a safe distance from the machine while familiarizing yourself with the machine's controls. The scraper requires a power source with **TWO** 4-way (double acting) hydraulic control valves.

**Scraper damage can occur if:**

1. The scraper is running over the haul road with the bowl fully raised. On scrapers that have factory installed nitrogen over hydraulic accumulators, the lift cylinders should be lowered 3 to 4 inches to allow the cushioned ride to work properly.
2. The heaped payload repeatedly exceeds the design ISO 6485 Earth-moving machinery-Tractor-scraper volumetric rating.
3. The fully loaded scraper exceeds the 10 mph on smooth haul roads and dramatically less on uneven haul roads.
4. The scraper is being top-loaded without the bowl being fully lowered to the ground prior to placing the material into the bowl.
5. The scraper is being used to level haul roads with the apron closed, not allowing material to enter the bowl.
6. The scraper is being used to load rock.
7. The scraper is being aggressively push loaded with a dozer.
8. A power unit that is above the horsepower rating is pulling the scraper.

These types of damage are not covered by warranty. Warranty only covers defects in material or workmanship and not abuse because of improper use.

**Know the job:**

1. Know the weight of the material to be moved.
2. Lay the job out to take advantage of grades when loading, if possible.
3. Keep hauls as short as possible.
4. Keep haul roads smooth.
5. If more than one unit is on the job, make sure the haul roads are one way and that the operators understand the direction.
6. Brief the operators as to what the job consists of so there is not misunderstanding.
7. Know the moisture content in the material to be moved.
8. Will water be needed for proper compaction?
9. Will drainage be a problem?
10. How many units will be needed to efficiently complete the job?

**Transport the scraper safely:**

1. Always empty scraper.
2. Clean all material from exterior of scraper.
3. Make sure all road rules are followed.
4. Use proper lighting and flagging.
5. Lower scraper bowls to provide just enough clearance over obstacles.
6. Transport at a safe speed to avoid roll over.
7. Reduce speed on curves and when going downhill.

**ASHLAND SCRAPERS****Operation and Maintenance****Apron Opening Guidelines:**

You will need to determine the ideal opening for your soil condition. It is important to have the apron opened prior to loading. To receive the highest production possible, it is important to know the general characteristics of the material that you will be loading. In heavier soils like clay or gumbo, the soil will slab up and remain together after being cut by the blades. In lighter soils, like sand or dry loose top soil, the material will pile up or push after being cut by the blade. Use the suggestions listed below:

**Topsoil with heavy vegetation (12" to 24" opening):**

When cutting undisturbed soils, you will need to open the apron high enough to allow debris to easily enter the scraper bowl. If the apron is opened too high, the rolling up sod will fall out past the apron and hinder the incoming material. If the apron is not adjusted quick enough, the material will bunch or push ahead of the machine. If this happens, you should close the apron and pull out the cut quickly. If you wait too long, you may develop too large a pile to clear the scraper while rising out of the cut. This can cause the power unit to lose traction and possibly cause you to get stuck.

**Clay or loamy material: (6" to 12" opening):**

To cut clay or loam soils, lower the apron to approximately 6" to 12" between the blades and the bottom of the apron. When you first lower the bowl, you'll see the material being cut by the blades and entering the bowl. As you continue to move forward, small clumps will fall past the apron and develop a small pile ahead of the apron. By limiting this apron opening, the small pile will "blade off" any loose material ahead of the machine. Adjustments should be made if large objects such as rocks or deep gouges are within the cut.

**Sand or loose topsoil (15" to 30" topsoil):**

Loading sand or loose top soil is the most difficult type of soil to load. In combination with the larger apron opening, you'll want to operate at a faster ground speed. By traveling faster and lowering the blade deeper than normal, it forces the material into the scraper bowl.

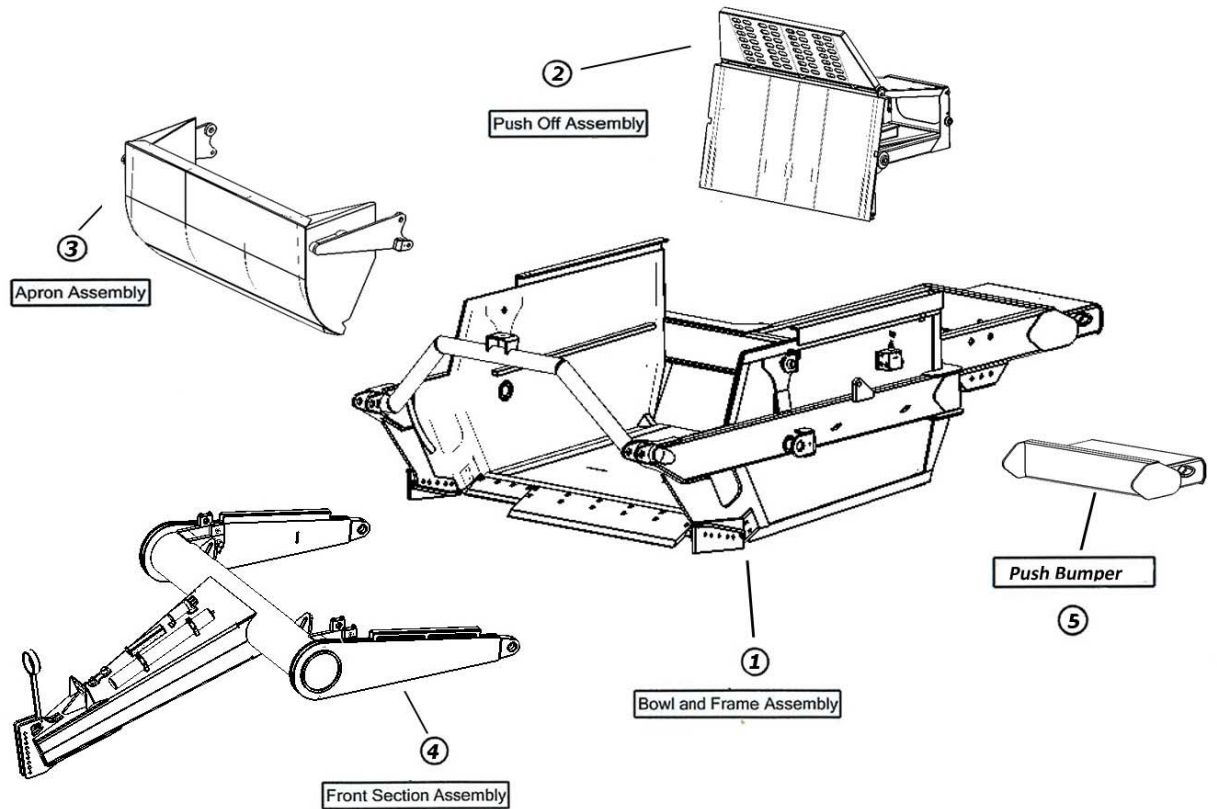
We encourage you to experiment with different apron openings to determine the best condition for your jobsite.



The Apron is designed to capture material inside of the scraper bowl and should not be used as a large blade. Obstructions like large rocks or dense piles may cause the apron to bend inward after prolonged exposure to these conditions.



**Assembly - 155T-R-001**



ITEM	PART	DESCRIPTION
1	701012	Bowl & Frame Assembly
2	702008	Push-Off Assembly
3	A123310	Apron Assembly
4	704009	Front Section Assembly
5	700011	Push Bumper

## Transport Locks (TS)



**Transport position**

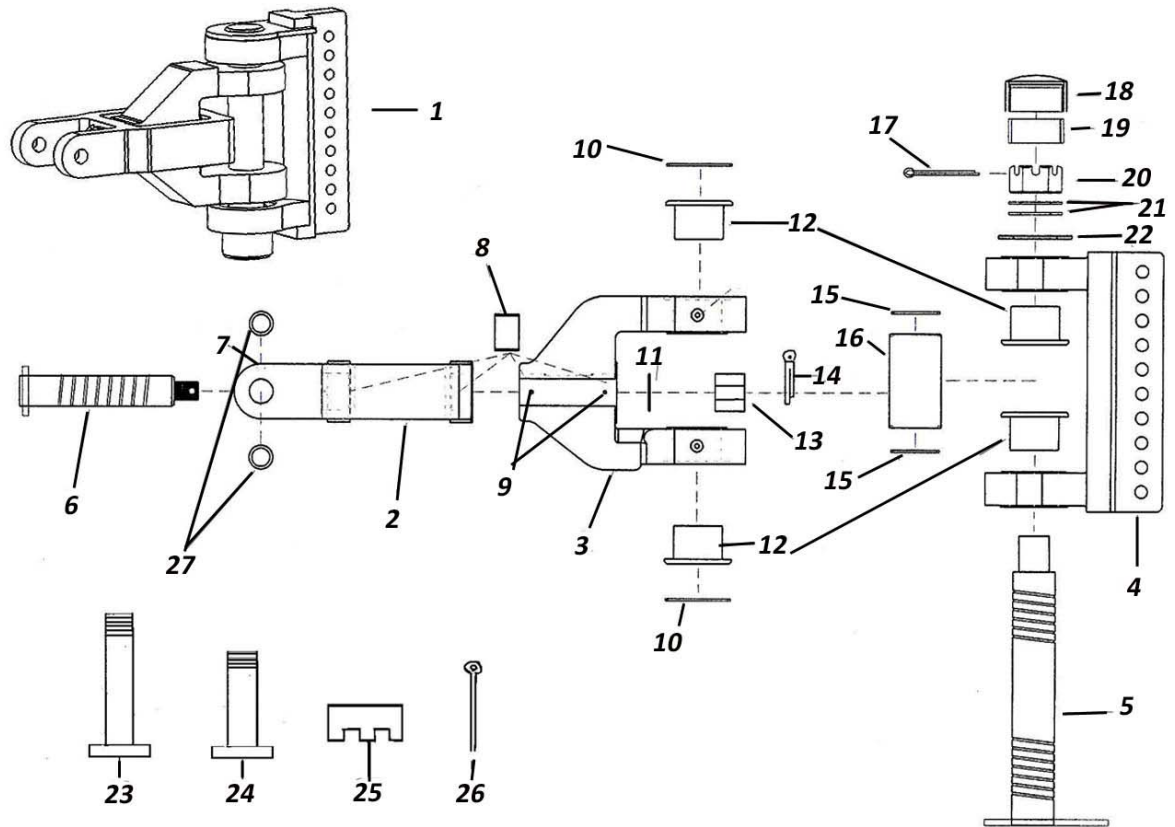
To use transport locks, retract lift cylinders and snap pins to keep transport locks in place.



**Storage position**

PART	DESCRIPTION
A123320-20	Transport Lock

## Swivel Hitch (#A125223)

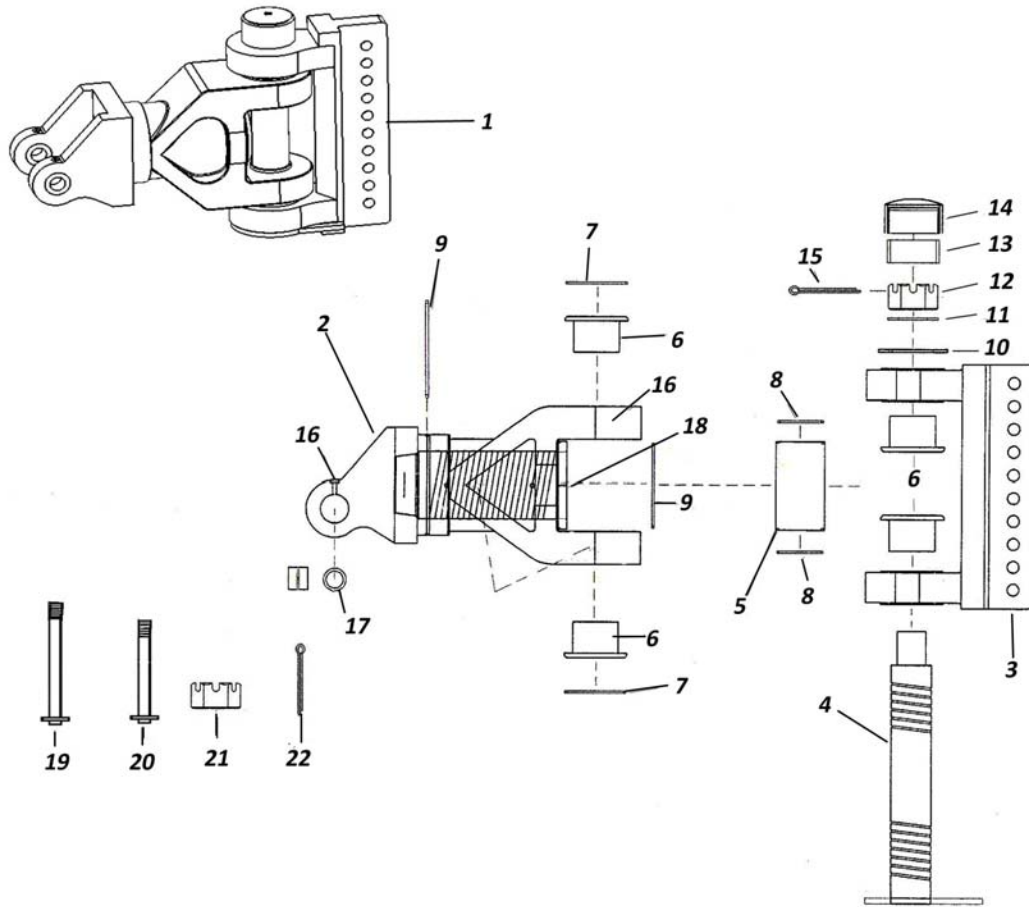


ITEM	PART	DESCRIPTION
1	A125223	Hitch: MDU cast
2	A125223-01	Yoke: A-Frame
3	A125223-02	Swivel
4	A125223-03	Bracket: 10 Hole
5	A125223-04	Pin: Main Vertical
6	A125223-06	Pin: Horizontal
7	14505	Grease Fittings
8	A125056-27	Bushing
9	AFH-00028	Grease Fitting 90 deg.
10	A125223-08	Seal: O-Ring
11	A125223-11	Washer - 1 1/2" for Horz. Pin
12	A125223-07	Bushing
13	A125223-12	Nut: Slotted 1 1/2" NC
14	AFP-00011	Cotter Pin
15	A125223-09	Seal: O-Ring
16	A125223--05	Spacer: 6"
17	AFP-00012	Cotter Pin
18	A125223-17	Cap: For Vertical Pin
19	A125223-16	Sleeve: 2" Rubber
20	A125223-15	Nut: Slotted 2 1/2" NC
21	A125223-14	Washer: 2 1/2"

**ASHLAND SCRAPERS****Swivel Hitch (#A125223)**

ITEM	PART	DESCRIPTION
22	A125223-13	Spacer
23	A123299-08	4-Ear Drawbar to Hitch Pin
24	A123299-07	2-Ear Drawbar to Hitch Pin
25	AFN-00014	1 1/2" Castle Nut
26	AFP-00001	Cotter Pin: 1/4" X 3"
27	A125056-24	Bushing

## Sub-Assembly - Hitch - Swivel (#A125224) Optional



ITEM	PART	DESCRIPTION
1	A125224	Swivel Hitch: 360 deg. cast
2	A125224-01	Yoke: A-Frame Swivel
3	A125224-03	Bracket: 10 Hole
4	A125224-04	Pin: Main Vertical
5	A125224-05	Spacer Tube
6	A125224-07	Bushing
7	A125224-08	Seal: O-ring
8	A125224-09	Seal: O-ring
9	A125224-10	O-ring
10	A125224-13	Spacer: 6"
11	A125224-14	Washer: 2 1/2"
12	A125224-15	Nut: Slotted 2 1/2" NC
13	A125224-16	Sleeve: 2" Rubber
14	A125224-17	Cap: For Vertical Pin
15	A125224-18	Pin: Cotter 3/8 X 5"
16	14505	Grease Fitting Straight
17	A125057-02A	Bushing
18	AHF-00027	Zerk 45 deg.
19	A123299-08	Pin: Four Ear Drawbar to Hitch 1 1/2" x 15 5/8"L
20	A123299-07	Pin: Two Ear Drawbar to Hitch 1 1/2" X 12 5/8"L
21	AFN-00014	Nut: 1 1/2" Slotted

**ASHLAND SCRAPERS**

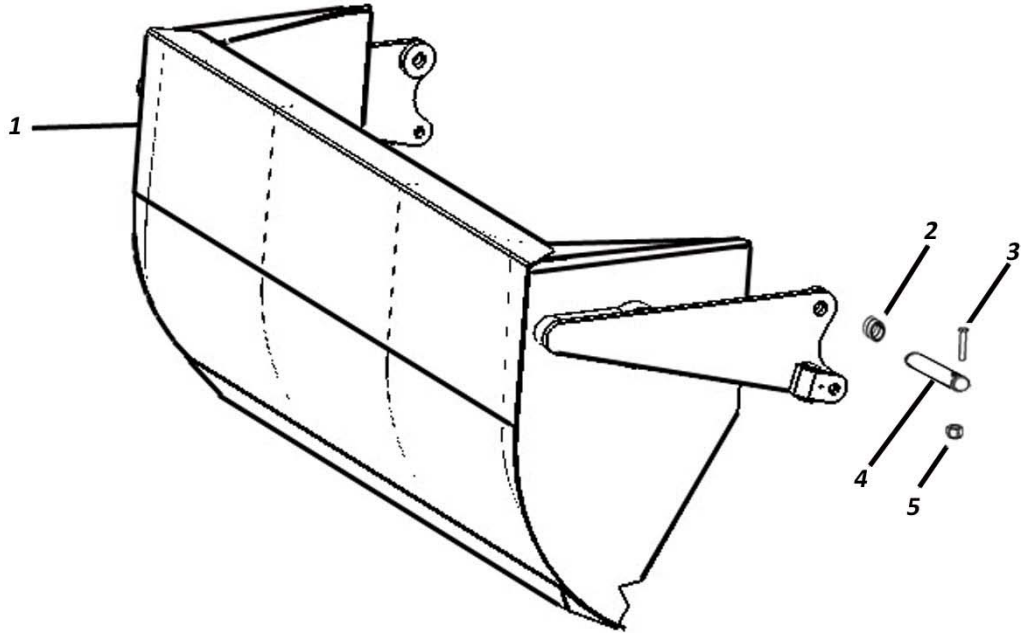
**Sub-Assembly - Hitch - Swivel (#A125224) Optional**

22

AFP-00001

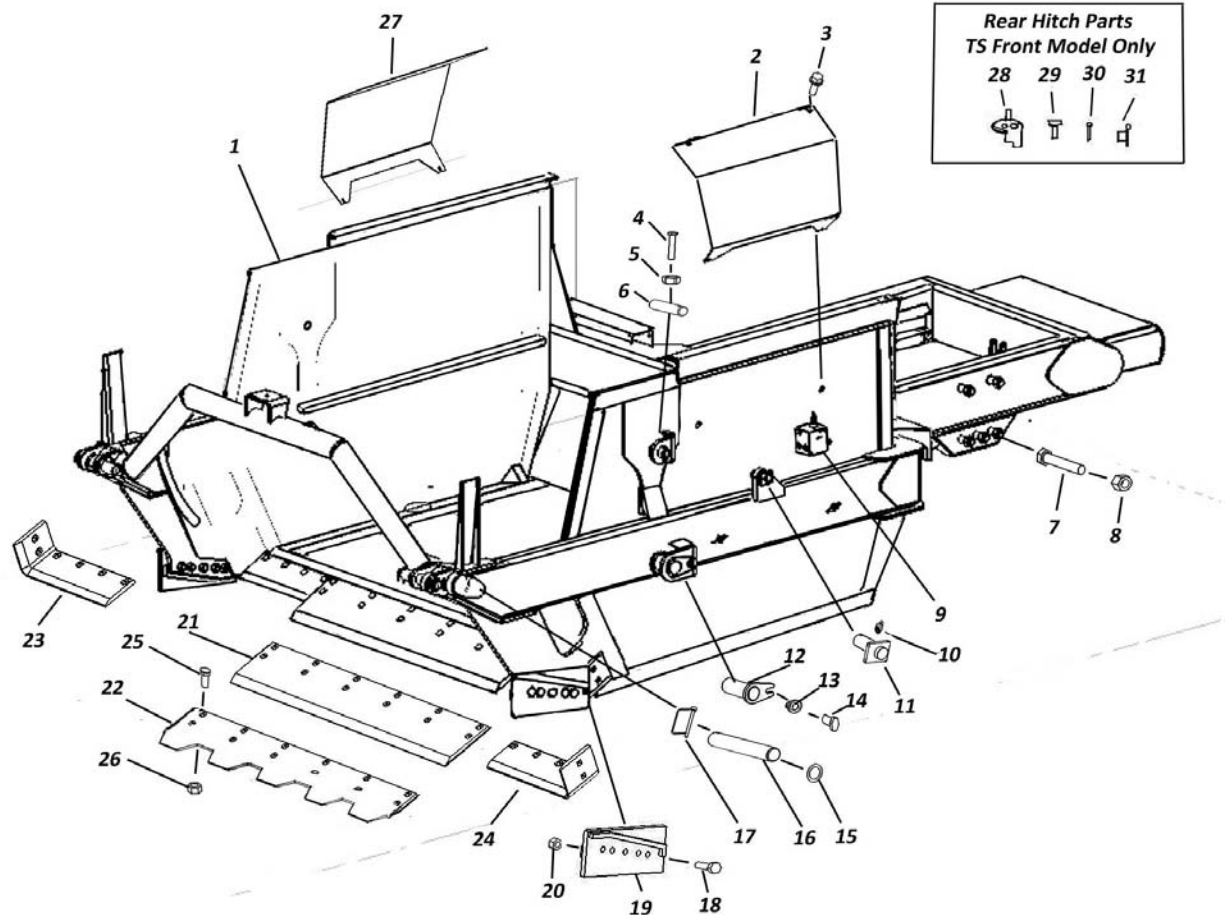
1/4" X 3" Cotter Pin

**Apron - A123310**



ITEM	PART	DESCRIPTION
1	A123310	APRON ASSEMBLY 155
2	A16027	Bushing: 2' OD X 1 1/2" ID X 2" L
3	AFB-00049	Bolt: 3/8" NC X 3"
4	A123337	Pin: 1 1/2" X 5 3/8"
5	AFN-00048	Nut: 3/8" NC Hex

## Bowl & Frame - 701012



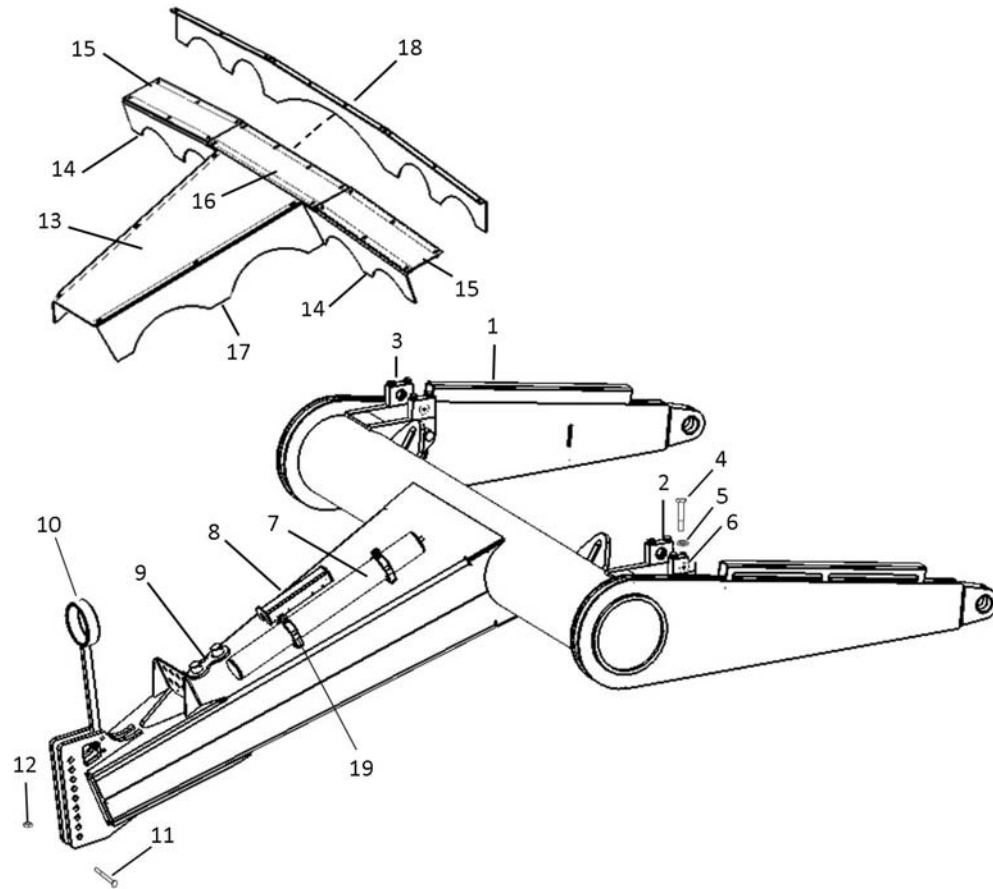
Blade Bolts Required:	Bolts	Nuts	Qty ea
A123330 (& Ser)	PB9B-NC-088-0275	AFN-00019	12
A123332 (L & R)	PB9P-NC-088-0275	AFN-00019	6
A123357	AFB-00018	AFN-00012	4

ITEM	PART	DESCRIPTION
1	701012	BOWL & FRAME
2	501896	Dirt Shield-Left
3	AFB-00170	Bolt: 3/8-11 x 1" Hex Cap
4	AFB-00015	Bolt: 1/2 X 1 1/2" Gr 8 Hex Cap
5	A123351	Bushing: Pin Keeper
6	601040	Pin: Apron Pivot
7	AFB-00067	Bolt: 1 1/4"-12 X 7 1/2 Hex Cap
8	AFN-00029	Nut: 1 1/4"
9	A125174	Valve: Manifold Block
10	14505	Grease Fitting
<a href="http://www.ashlandind.com">www.ashlandind.com</a>		12



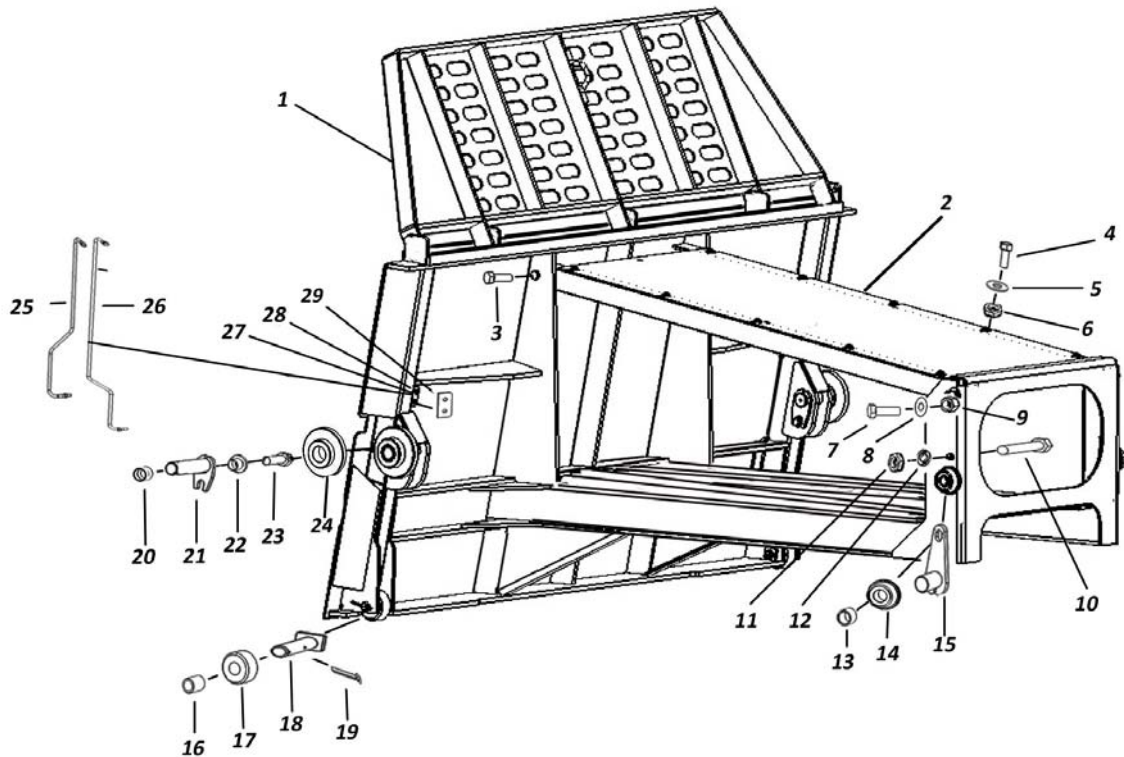
**ASHLAND SCRAPERS**
**Bowl & Frame - 701012**

ITEM	PART	DESCRIPTION
11	A123363	Pin: Apron Cyld. End
12	A123321-09	Pin: Main Frame
13	A123358	Bushing: Pin Keeper
14	AFB-00079	Bolt: 5/8"-11 X 1 1/2" Hex Cap
15	AFW-00014	Washer: 2"
16	A123335	Pin: Lift Cylinder Rod End
17	A125006	Pin: 1/4" X 2 1/4" Snapper Pin
18	AFB-00018	Bolt: 1" X 3" Hex Cap
19	A123357	Blade: Router Bit
20	AFN-00012	Nut: Hex
21	A123330	Blade: Center Straight
22	A123330-SER	Blade: Center Serrated (optional)
23	A123332R	Blade: Right Corner
24	A123332L	Blade: Left Corner
25	PB8P-NC-088-0275	Plow Bolt: 7/8" X 2 3/4" Gr 8
26	AFN-00019	Nut: 7/8"
27	501897	Dirt Shield - Right
28	A123309-93	Locking Lug for Rear Hitch
29	A123309-96	Pin for Locking Lug
30	AFP-00001	Cotter Pin 1/4" X 3"
31	A125006	Safety Snap Pin

**ASHLAND SCRAPERS**
**Front Section - 704009**


ITEM	PART	DESCRIPTION
1	704009	FRONT SECTION - 155
2	502143	Inside Trunion Mount Block
3	502552	Outside Trunion Mount Block
4	AFB-00039	Bolt: 3/4" X 5 1/2"
5	AFW-00002	Washer: 3/4" Lock
6	14505	Grease Fitting
7	A125005	Accumulator
8	600100	Lock: Apron Cylinder
9	A123320-20	Travel Lock
10	600119C	Hose Support
11	AFB-00021	Bolt: 1" X 5 1/2" NC
12	AFN-00037	Nut: 1" Lock
13	502730	Guard: Top Lower Center
14	502729	Guard: Front
15	502739	Guard: Top Right and Left
16	502730	Guard: Top Upper Center
17	502732	Guard: Center Right and Left
18	502728	Guard: Back
19	A125009	Mounting Bracket

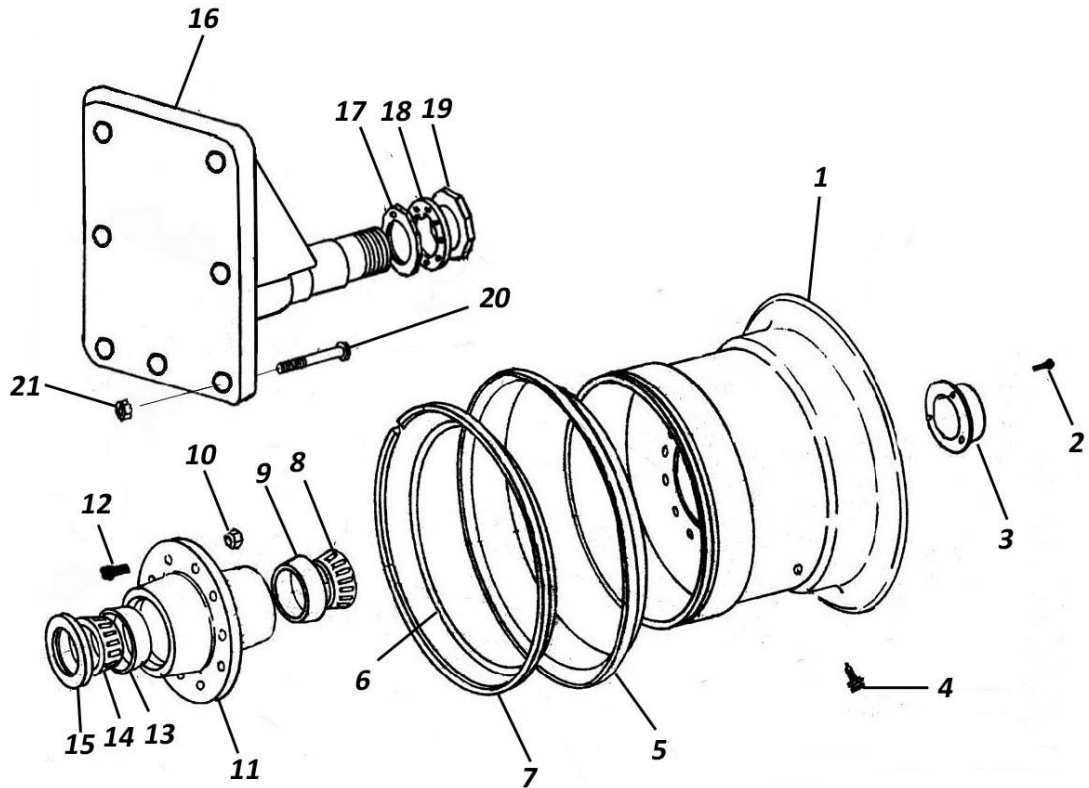
## Push-Off - 702008



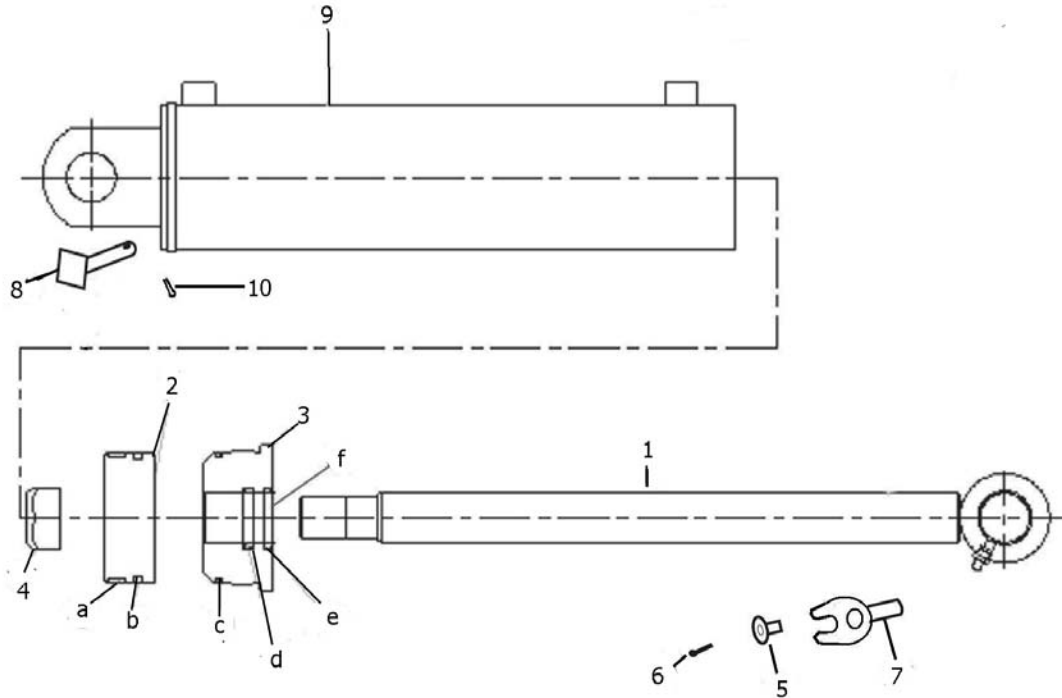
ITEM	PART	DESCRIPTION
1	702008	155 PUSHOFF ASSEMBLY
2	500081	Dirt Shield
3	AFB-00037	Bolt: 3/4 X 2" Hex
4	AFB-00143	Bolt: 1/2 X 1" Hex
5	AFW-00009	Washer: 1/2"
6	AFN-00011	Nut: 1/2" Hex
7	AFB-00005	Bolt: 3/4 X 2 1/2" Hex
8	AFW-00007	Washer: 3/4" Flat
9	AFN-00062	Nut: 3/4" Top Lock
10	AFB-00033	Bolt: 1/2 X 2 1/2" Hex
11	AFN-00011	Nut: 1/2" Hex
12	AFW-00030	Washer: 1/2" Lock
13	A123307	Bushing: 1 1/4ID X 1 5/8OD X 1 1/2"
14	A123306	Roller: Push-off
15	A123305	Pin: 1 1/4 X 2 5/8" for Roller

**ASHLAND SCRAPERS****Push-Off - 702008**

ITEM	PART	DESCRIPTION
16	A10163	Bushing: Roller
17	A10164	Roller: Hold Down
18	A123323-21	Pin: Lower Roller
19	AFP-00001	Cotter Pin
20	A14039	Bushing: 2" ID X 2 3/8" OD X 2"
21	A123323-23	Pin: Upper Roller
22	A123358	Pin Keeper Bushing
23	AFB-00079	Bolt: 5/8 X 1 1/2" Hex
24	502049	Roller
25	A125020	Grease Line 32"
26	A125021	Grease Line 54"
27	A125019	Grease Fitting
28	A125026	Nut: Bulkhead
29	A123323-40	Bracket: Grease Line

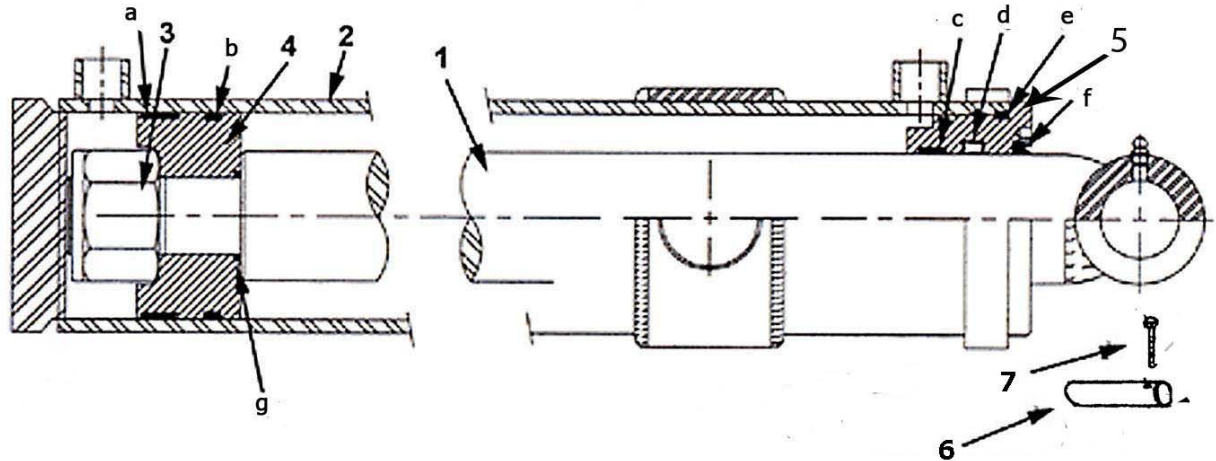
**ASHLAND SCRAPERS**
**Rear Wheel (155-175)**


ITEM	PART	DESCRIPTION
1	A12036	WHEEL 25" x 25"
2	AFB-00080	Bolt 5/16" NC X 1/2" L
3	A14004	Hub Cap
4	A14016	Valve Stem
5	A12041	Side Ring
6	A12047	O-Ring
7	A12042	Lock Ring
8	A125001	Bearing Cone
9	A125002	Bearing Cup
10	A12051	Lug Nut
11	A12035	Hub
12	A12050	Lug
13	A125004	Bearing Cup
14	A12051	Lug Nut
15	A12037	Grease Seal
16	A123350	Spindle
17	A10172	Nut w/lock pin
18	A12037	Grease Seal
19	A10048	Spindle Nut
20	AFB-00067	Bolt: 1 1/4" X 7 1/2"L
21	AFN-00009	Nut: 1 1/4" Lock

**ASHLAND SCRAPERS**
**Apron Cylinder - A125050**


ITEM	PART	DESCRIPTION
	A125050	APRON CYLINDER (4 X 13")
1	A125050-01	Rod: 1 3/4" with welded eye
2	A125050-02	Piston
3	A125050-03	Gland, Threaded
4	A125050-04	Nut: Lock, 1 1/8" NF
5	A123351	Pin Keeper Bushing
6	AFB-00019	Bolt: 1/2" X 1 1/2" gr8
7	A123362	Pin: Cyl. Rod End 1 1/2 X 1 1/2" w tab
8	A123363	Pin: Cyl. Base End 1 1/2 X 4 1/8"
9	A125050-06	Cylinder Barrel
10	AFP-00010	Cotter Pin
	A125050-05	Seal Kit Containing (a-f)
a		Nylon Wear Ring
b		FSP Seal
c		O-Ring
d		Backup Washer
e		Hallite Rod Seal
f		Snap in Rod Wiper

**Lift Cylinder - A123326**

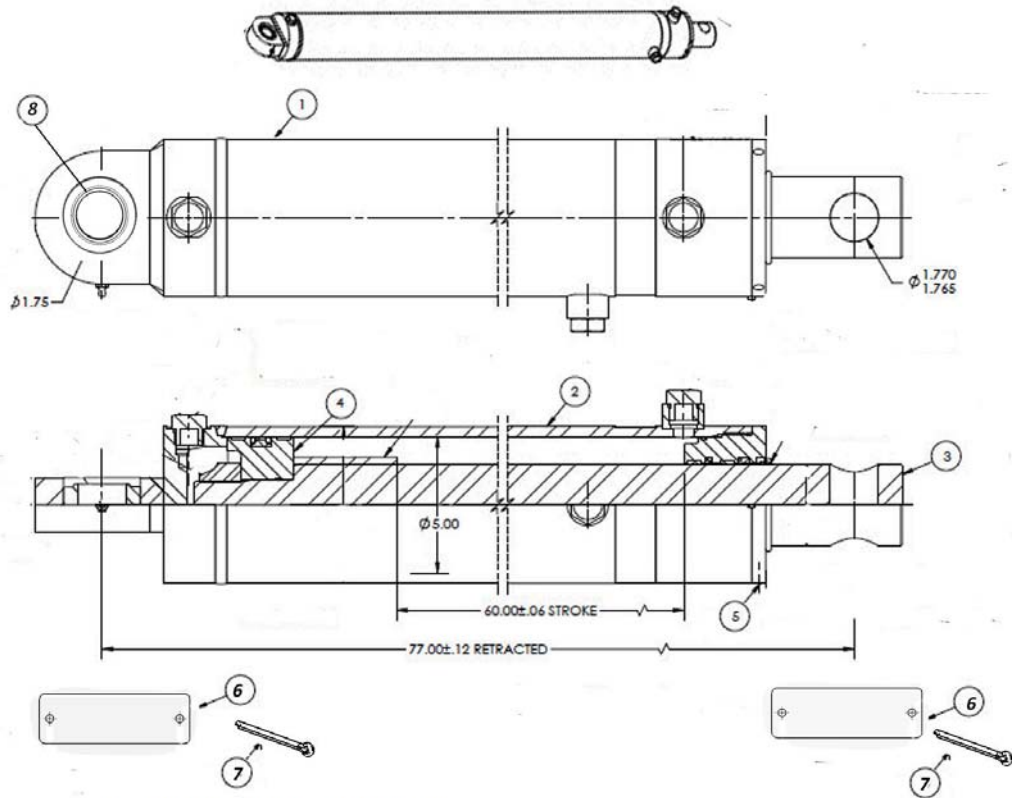


A350P018

ITEM	PART	DESCRIPTION
	A123326	LIFT CYLINDER (5 X 20")
1	A123326-1	Piston Rod: 2 1/2"
2	A123326-2	Barrel Weldment
3	A125159-34	Nut: Lock 1 3/4 NF
4	A123324-4	Piston
5	A123324-5	Gland
6	A123335	Pin: Lift Cylinder
7	AFP-00001	Cotter Pin, 1/4 X 3"
	AHS-00140	Seal Kit (Items a-g)
a		Wear Band
b		Rod Seal
c		Wear Ring
d		Piston Seal
e		O-Ring
f		O-Ring
g		Rod Wiper

**ASHLAND SCRAPERS**

**Push-Off Cylinder - 400225**

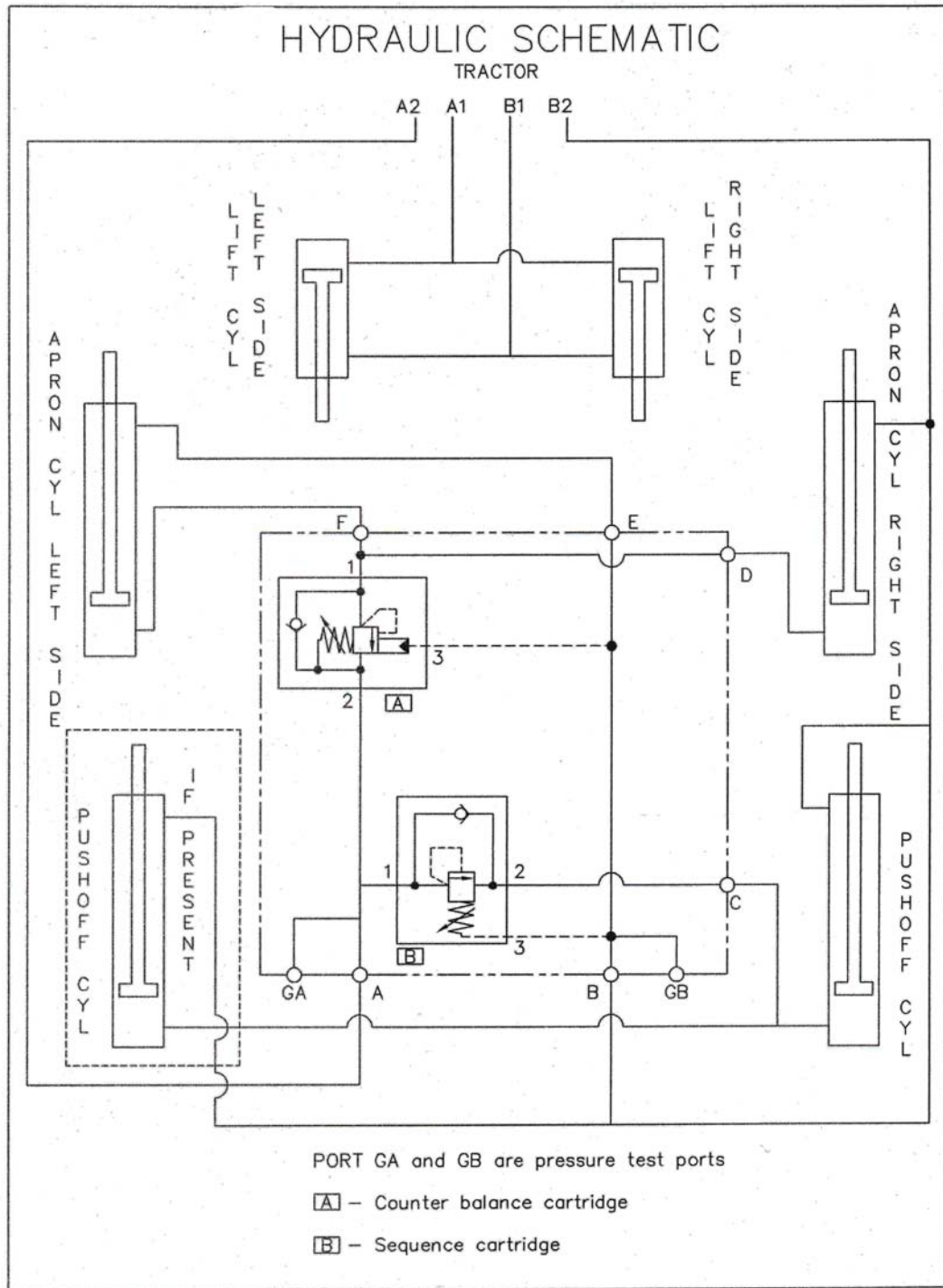


ASHLAND INDUSTRIES : CYL #400225  
PUSHOFF CYLINDER 5 X 60

ITEM	PART	DESCRIPTION
1	400225	PUSH-OFF CYLINDER (5 X 60")
2	201872P	Barrel
3	301539P	Rod
4	411079P	Piston
	432007	Seal Kit
5	511202P	Head Assy.
	432008	Seal Kit
6	501511	Pin
7	AFP-00001	Cotter Pin
8	720006P	Bushing: Spherical

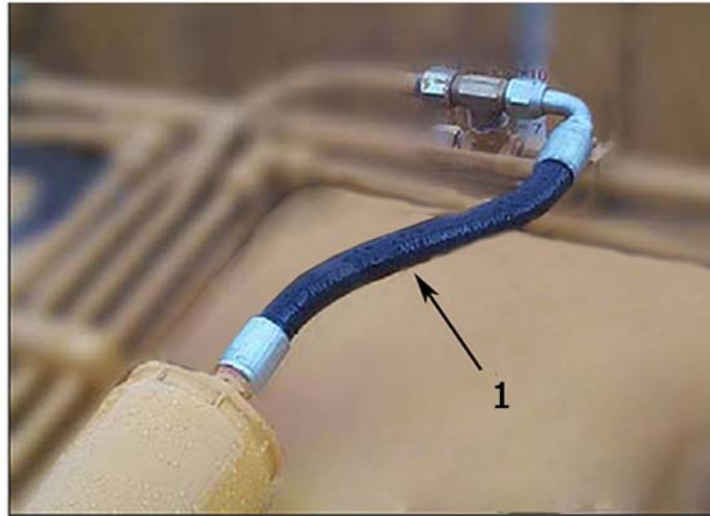


**Hydraulic Schematic**



A400H003

## Hydraulic Accumulator



ITEM	PART	DESCRIPTION
1	A155H67	Hose, 3/4" X 16" MORB with sweep
2	A125009	Bracket, Welded with bolts
3	A125005	Accumulator Cylinder

**ASHLAND SCRAPERS**
**Hydraulic Manifold - A125174**


ITEM	PART	DESCRIPTION
1	A125162-02	PUSHOFF SEQUENCE CARTRIDGE
2	A125162-01	COUNTER BALANCE CARTRIDGE

### SETTING THE APRON AND PUSHOFF VALVE

The manifold block containing the pushoff sequence valve cartridge and apron sequence valve cartridge is used to control two hydraulic circuits with one hydraulic remote. When the tractor hydraulic remote is activated, oil flows first to the apron cylinders until they are fully extended. Once the cylinders are fully extended, the apron circuits' hydraulic pressure begins to increase. Once the pressure threshold is surpassed (which is adjustable. See adjustment section), the sequence valve diverts the oil flow to the pushoff's hydraulic circuit. Once the push off is completely extended the operator then reverses the tractors hydraulic remote. The counterbalance valve will hold the apron open until the push off is fully retracted. The Apron sequence valve then opens and allows the apron to close.

#### Setting the valves:

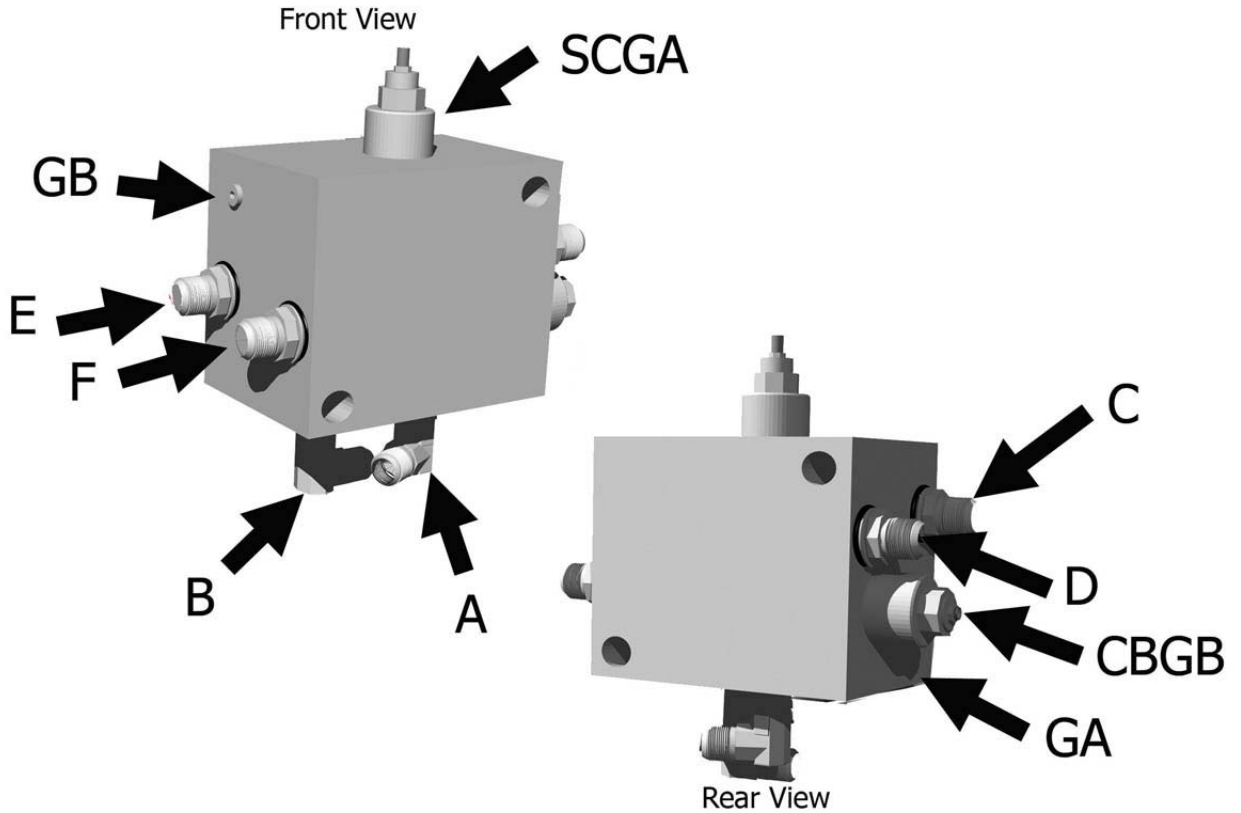
##### STEP 1 PUSHOFF SEQUENCE VALVE

Loosen the lock nut (9/16") on the sequence valve cartridge. Turn the setscrew (4mm) clockwise until the front apron rises before the push-off begins to advance. (Earthmover should be empty) Turn the adjustment screw an additional 1/4 turn clockwise and tighten jam nut.

##### STEP 2 COUNTER BALANCE VALVE

Loosen the lock nut (9/16") on the counterbalance valve cartridge. Turn the setscrew (4mm) counter-clockwise until the apron holds in a raised position while rear gate is being retracted. Turn adjustment screw an additional 1/4 turn, tighten jam nut. DO NOT tighten adjusting screw more than necessary.

**Parts - Hydraulic Valve Ports**

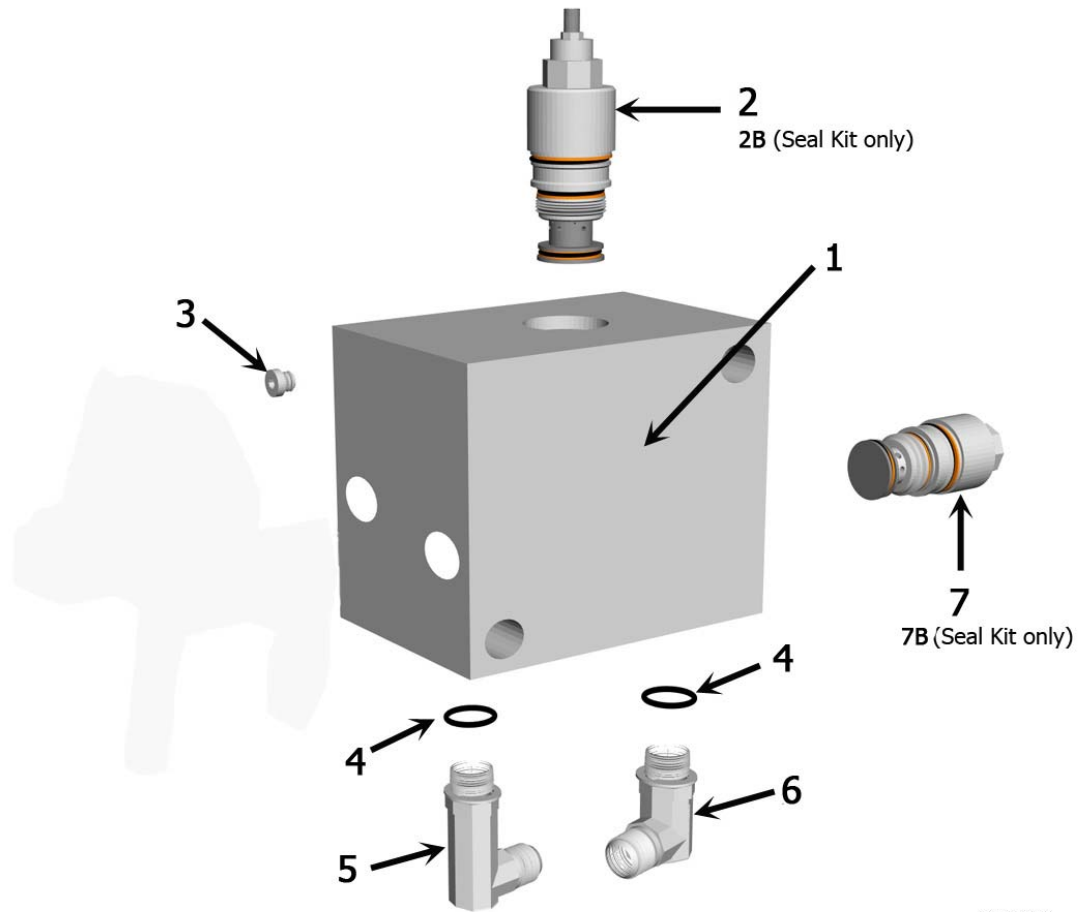


The lettering for the port locations are stamped on the block

A350P010

ITEM	PART	DESCRIPTION
A		Supply Line
C		Pushoff Cylinder, (Base End)
CBGB		Counterbalance Valve, adjustable
SCGA		Sequence Valve, adjustable
GA		Pressure test port
GB		Pressure test port

## Hydraulic Valve Seals

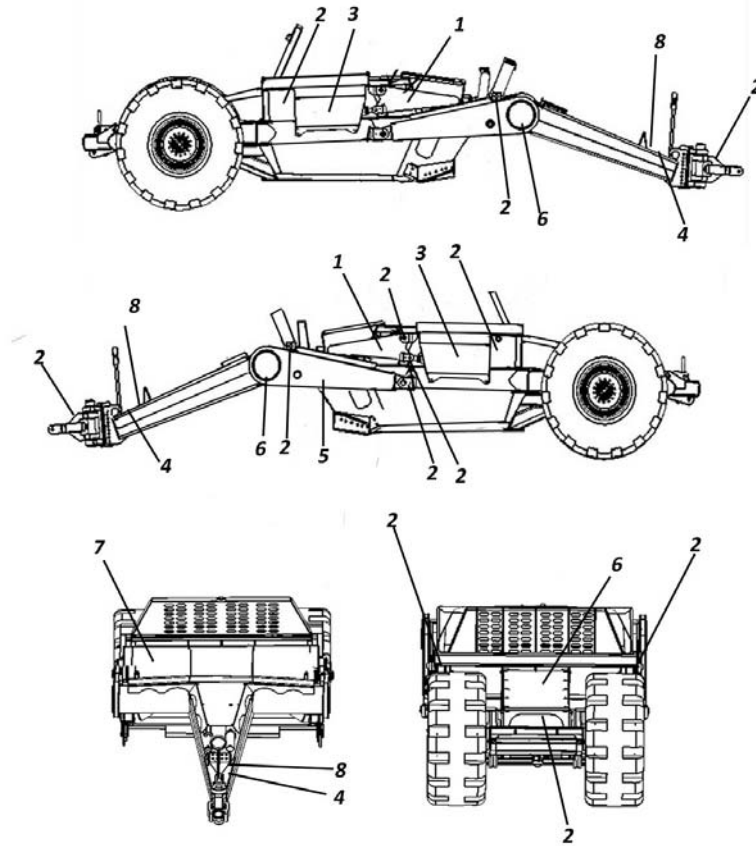


A350P005

ITEM	PART	DESCRIPTION
1	A125174	Valve: Manifold Block IV Body
2	A125162-02	Valve: Sequence Cartridge for Ver. III & IV
3	AHA-00046	6 ORB Plug
4	AHS-00153	O-Ring for 12 M ORB Fitting
5	AHA-00047	Adapter: 90 Deg. XL 3/4 MJX 1 1/6 M ORB
6	AHA-00044	Adapter: 90 Deg. 3/4 MJ X 1 1/6 M ORB
7	A125162-01	Valve: Counterbalance Cartridge for Ver. III & IV
7B	A125162-01 KIT	Seal Kit for A125162-01 Valve Cartridge
2B	A125162-02 KIT	Seal Kit for A125162-02 Valve Cartridge

**ASHLAND SCRAPERS**

**Decals Illustration (155TS2)**



**ASHLAND SCRAPERS****Parts - Decals**

ITEM	PART	DESCRIPTION
1	ADS-00011	Pinch Point
2	ADS-00019	Grease Twice Daily
3	ADS-00057+ ADS-00063	Model "155TS2"
4	750464	High Pressure Fluid Hazard
5	ADS-00062	"ASHLAND" Large
6	ADS-00065	"AI" Logo Large
7	A123286	Depth Gauge
8	ADS-00041	Plumbing Controls

**ASHLAND SCRAPERS****Service: Grease Locations**

1. Hitch – Horizontal and vertical pins.
2. Lift Cylinders – Rod end & Trunion; Both left & right sides.
3. Front Arm Pivot Joint – Both left & right sides.
4. Apron Cylinders – Rod clevis pin; Both left & right sides.
5. Apron Pivot Pin – Both left & right sides.
6. Hold-down Rollers – Both left & right sides.
7. Floor Rollers – Both left & right sides.
8. Tapered Rollers – Both left & right sides.



**ASHLAND SCRAPERS**
**Tire Inflation**

TIRE INFLATION (PSI)				
Scraper Model	Front Tire Size (XL)	Max PSI	Rear Tire Size	Max PSI
950	16.5-16.1 ANS 10 Ply	36	16.9-24 ANS 8 Ply	24
110	16.5L-16.1 ANS 10 ply	36	18.4-26 ANS 10 Ply	26
130	21.5-15.1 10 Ply	28	18.4-26 ANS 12 Ply	32
155	20.5-25 12 Ply	51	29.5 X 25 28 Ply	62
175	20.5-25 12 Ply	51	29.5 X 25 28 Ply	62
215			29.5 X 25 28 Ply	62
180CS			23.5 X 25 12 Ply	54
220			20.5-25 12 Ply	65

On new machines, the wheels should be retorqued after the first two hours of use. Then check tires daily to ensure correct inflation levels. Check tire pressure with an accurate gauge having 6.9 kPa (0.07 bar) 1 psi) gradations.

Check tires daily to ensure correct inflation levels. Also check for:

- Tire Damage
- Loose or missing wheel lugs, nuts or caps
- Uneven wear
- Damaged Rims

Torque Ft-lbs	Lug nuts (by model)
85-100	900-950
450	110-130
450	155-175 front
750	155-175 rear
450-500	215TS-180CS
750	220
Torque Ft-lbs	Bolt Diameter
12	1/4"
25	5/16"
45	3/8"
70	7/16"
110	1/2"
150	9/16"
220	5/8"
380	3/4"
600	7/8"

**ASHLAND SCRAPERS****Tire Service**

**The task of servicing tires and wheels can be extremely dangerous and should be performed by trained personnel only, using the correct tools and following specific procedures. Do not attempt to mount, demount or inflate a tire if you do not have the proper equipment and experience to perform the job. Call a qualified repair service to inspect the assembly and make necessary repairs. Failure to heed warnings could lead to serious injury or death.**

Visually inspect tires and wheels daily. Carefully inspect any rim and tire assembly that has been run underinflated or flat before reinflating the tire to make sure there is no damage to either the rim or tire.

- ALWAYS wear personal protection equipment such as gloves, footwear, eye protection, hearing protection and head gear when servicing tire and wheel components.
- DO NOT operate with damaged rims, tire cuts or bubbles, missing lug bolts or nuts or damaged rims.
- ALWAYS maintain the correct tire pressure. NEVER exceed recommended tire inflation pressure.
- INSPECT any rim and tire assembly that has been run flat or severely underinflated before reinflating the tire. Damage to the rim and tire may have developed.
- NEVER inflate a tire that has lost air pressure or has been run flat without determining and correcting the problem.
- NEVER try to repair wheel, rim, or tire components parts. Parts that are cracked, worn, pitted with corrosion, or damaged must be discarded, and replaced with good parts.
- ALWAYS use approved tire and rim combinations for the model scraper that you have and verify that part numbers of components are correctly matched for the assembly.
- ALWAYS exhaust all air from the tire prior to demounting.
- ALWAYS place wheel and tire assemblies in restraining devices (safety cage) when inflating tires. Use a clip-on chuck and long extension hose to allow you to stand to the side of the tire and not in front of it.
- NEVER weld or cut on an inflated tire assembly. Welding heat can cause increased pressure which could result in tire explosion.
- ALWAYS use proper lifting techniques, and mechanized lifting aids to move heavy components and assemblies.
- NEVER leave a tire, wheel, or assembly unsecured in a vertical position.
- ALWAYS take care when moving tires and wheels that other people in the area are not endangered.

**ASHLAND SCRAPERS****Troubleshooting**

With proper care and maintenance, your Ashland Scraper will give many years of reliable service. When a situation arises where the earthmover performance is not satisfactory, this section will give some pointers on finding and correcting the problem.

---

**Grease zerk will not take grease.**

---

1. Grease zerk plugged.
  - a) Remove and replace grease zerk.
2. Pin is frozen.
  - a) Remove, clean, and inspect pin.
  - b) Replace pin if necessary.
3. Bushing grease passage is not aligned with grease zerk.
  - a) Remove, clean, inspect, and realign bushing.
  - b) Replace bushing if necessary and realign.

---

**Push-off rollers do not roll.**

---

1. The rollers need lubrication.
  - a) Check zerk hole and grease.
  - b) Remove pin, clean, inspect, and replace if necessary.
2. The roller bushing is worn out.
  - a) Remove roller assembly and replace bushing.
  - b) See parts manual.

---

**Cylinders will not hold in preset position, i.e. the cylinder creeps.**

---

1. Seals leaking internally.
  - a) Remove and replace seal kit.

---

**Machine cuts unevenly.**

---

1. Cutting edges worn unevenly.
  - a) Replace cutting edges.
2. Improperly inflated tires.
  - a) Check air pressure in tires.

**ASHLAND SCRAPERS****Warranty Statement**

Ashland Industries Inc. warrants each new product to be free from defects in material and workmanship. This warranty is applicable only for the normal service life expectancy of the product or components, not to exceed **six consecutive months** from the date of delivery of the new Ashland Industries product to the purchaser, or the date the product is first put into service via a rental agreement or other means, whichever occurs first.

The major components of swivel hitches used on Industrial series scrapers are warranted for three consecutive months from the date of delivery of the new Ashland Industries product to the purchaser, or the date the product is first put into service via a rental agreement or other means, whichever occurs first, except those components described below.

Genuine Ashland Industries Inc. replacement parts and components will be warranted for 30 days from date of purchase, or the remainder of the original equipment warranty period, whichever is longer.

Under no circumstances will it cover any merchandise or components thereof, which in the opinion of the company, has been subjected to misuse, unauthorized modification, alterations, an accident or if repairs have been made with parts other than those obtained through Ashland Industries Inc.

Ashland Industries Inc. in no way warrants Tires since their respective manufacturer warrants these items separately. Please call Ashland Industries Inc. to receive phone numbers of tire suppliers.

Ashland Industries Inc. in no way warrants wearable items such as cutting edges, front dolly wheel balls, socket halves, rollers, bushings, yoke hitch pins, hitch bushings, etc..

Our obligation under this warranty shall be limited to repairing or replacing, free of charge to the original purchaser, any part that, in our judgment, shall show evidence of such defect, provided further that such part shall be returned within 30 days from the date of failure to Ashland Industries Inc. routed through the dealer and distributor from whom the purchase was made, transportation charges prepaid. Upon warranty approval proper credits will be reimbursed for transportation.

This warranty shall not be interpreted to render Ashland Industries Inc. liable for injury or damages of any kind or nature to person or property. This warranty does not extend to the loss revenue, extra labor cost associated with downtime, substitute machinery, rental or for any other reason.

Except as set forth above, Ashland Industries Inc. shall have no obligation or liability of any kind on account of any of its equipment and shall not be liable for special or consequential damages. Ashland Industries Inc. make no other warranty, expressed or implied, and, specifically, Ashland Industries Inc. disclaims any implied warrant or merchantability or fitness for a particular purpose. Some states or provinces do not permit limitations or exclusions of implied warranties or incidental or consequential damages, so the limitations or exclusion in this warranty may not apply.

This warranty is subject to any existing conditions of supply which may direct affect our ability to obtain materials or manufacture replacement parts.

Ashland Industries Inc. reserves the right to make improvements in design or changes in specifications at any time, without incurring any obligation to owners of units previously sold.

No one is authorized to alter, Modify or enlarge this warranty nor the exclusion, limitations and reservation .

Warranty Department