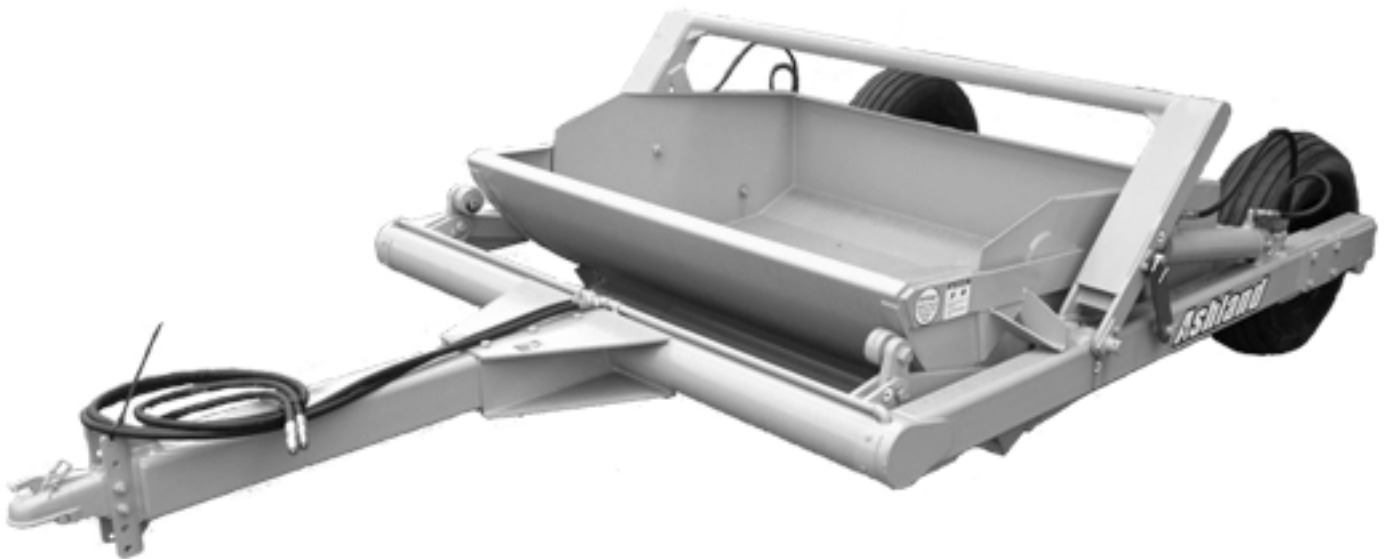


ASHLAND INDUSTRIES

Parts Manual **25 CS**

01-16



Ashland Industries

Crafting Quality since 1953!



1115 Rail Drive
P.O. Box 717
Ashland, WI U.S.A.
Toll Free: (877) 634-4622
Business: (715) 682-4622
Fax: (715) 682-9717

www.ashlandind.com
www.scaperdrawbar.com

Table of Contents

Categorized Listing

ASHLAND SCRAPERS	1
Introduction	1
Main Assembly - 25CS	2
Actuating Frame	3
Apron Assembly	4
Frame - 25	5
Wheel Assembly - 25	6
Lift Cylinder - (A3516H1)	7
Warrantee Statement	8

Table of Contents

Alphabetized Listing

A	
Actuating Frame	3
Apron Assembly	4
ASHLAND SCRAPERS	1-8
F	
Frame - 25	5
I	
Introduction	1
L	
Lift Cylinder - (A3516H1)	7
M	
Main Assembly - 25CS	2
W	
Warrantee Statement	8
Wheel Assembly - 25	6

ASHLAND SCRAPERS**Introduction**

Thank you for choosing an Ashland scraper for your earthmoving needs. Years of research, testing and successful application have been spent to ensure quality and maximum performance for our customers.

QUALITY POLICY

It is our mission to exceed our customers' expectations in quality, delivery, and cost through continuous improvement and customer interaction.

Please read and understand this manual before attempting to attach or operate this scraper. This manual should always remain with the machine. Be sure and fill out and send in the owners registration form at the beginning of this manual, or you may fill out the form on-line by going to ashlandind.com and click on "Register your Machine" at the bottom of the page. If you have questions, please feel free to call or email us. You can visit us on-line at www.ashlandind.com.

Ashland Industries hours of operation are 8:00 a.m. to 5:00 p.m. CST. We can be reached toll free at: 877-634-4622.

SCRAPER ID NUMBER

The serial number plate for the scraper is located on the right side of the front main frame. The letter and numbers stamped identify the serial number, model number and capacity of the scraper. Please record this serial number for use in ordering parts, warranty issues and to track your equipment if it is ever stolen.

References to serial number breaks on parts are located in the manual with a reference sequence of XXXXX-XXXXX. The beginning number records the serial number start of the use of that part. The ending number is the final serial number use of the part within this machine.



ASHLAND
INDUSTRIES
Ashland, WI 54806
877-634-4622



Serial #

Model

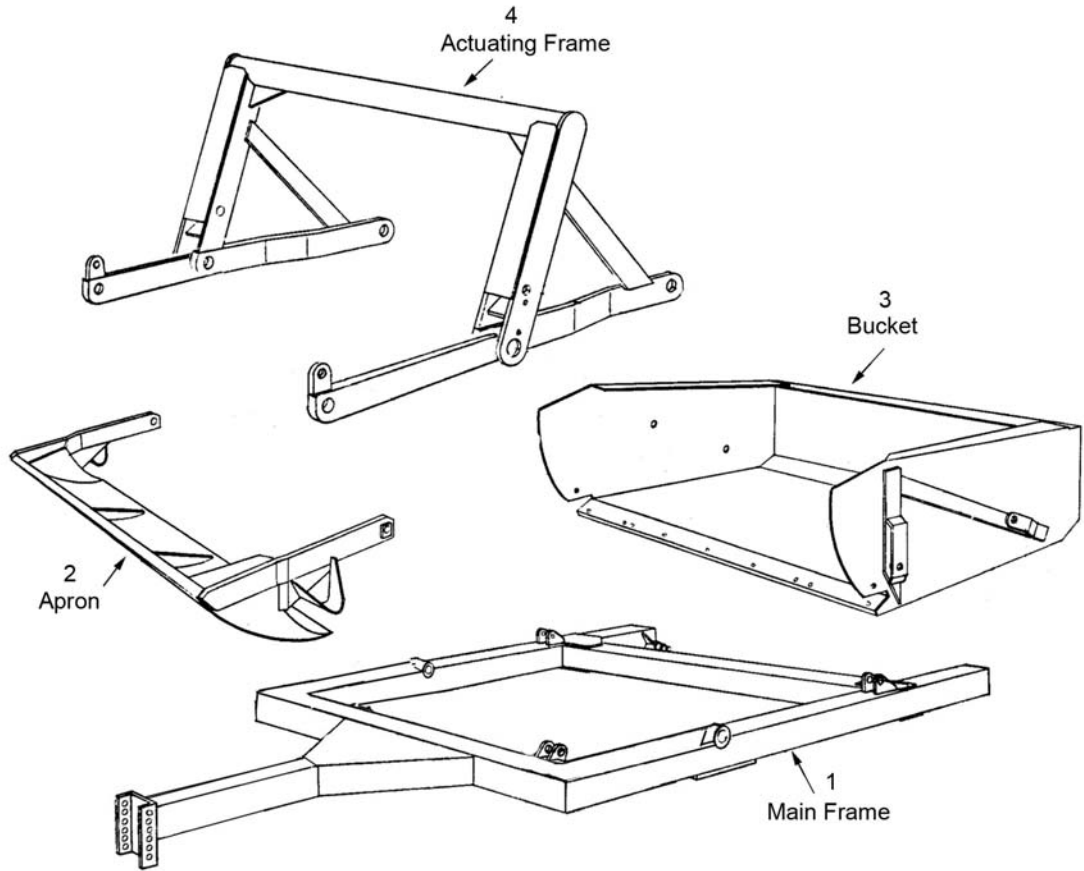
Cap. Heaped

www.ashlandind.com

**IMPORTANT**

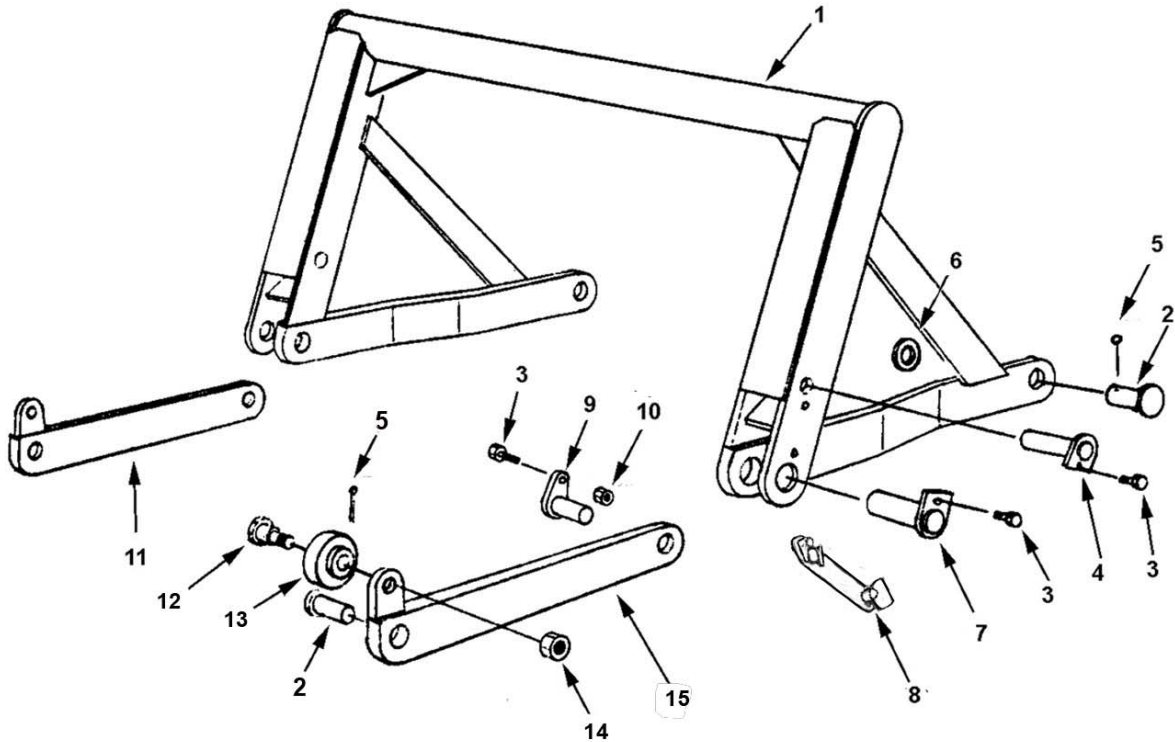
Parts must be ordered through your local authorized ASHLAND dealer. Be sure to state MODEL and SERIAL NUMBER of your machine. Ashland Industries weldable replacement parts are also available to rebuild, modify or update your scraper to current factory specifications.

Main Assembly - 25CS

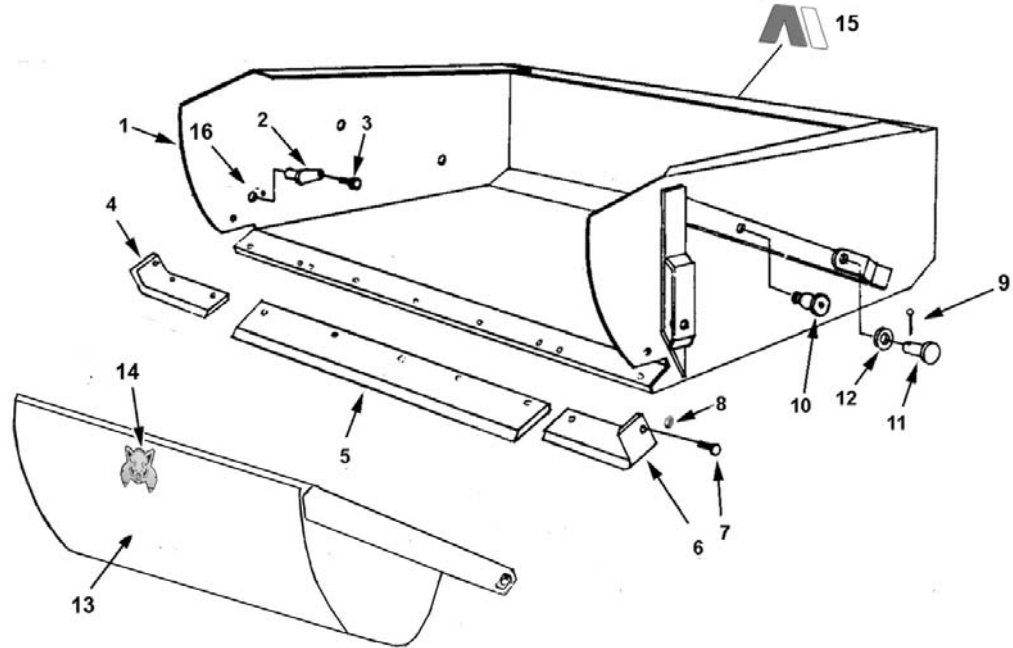


ITEM	PART	DESCRIPTION
1	A2501	Main Frame
2	A3317	Apron
3	A2504	Bucket
4	A2506	Actuating Frame

Actuating Frame

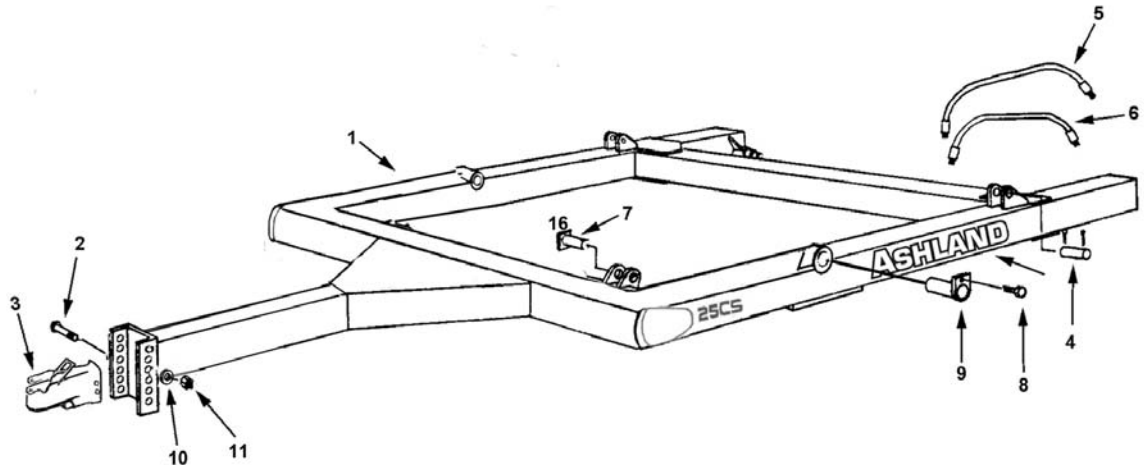


ITEM	PART	DESCRIPTION
1	A2506	Actuating Frame
2	A3310	Pin, 1 1/4" X 2 7/8"
3	AFB-00143	Hex Head Capscrew, 1/2" X 1" NC
4	A3318A	Pin, 1" X 5 5/8" Tab Head
5	AFP-00010	Cotter Pin 1/4 X 2
6	AFW-00005	Narrow rim washer, 1 1/4" ID
7	A2502A	Pin, 1/2" X 5 5/8"
8	A123475	Transport Lock
9	A4505	Pin: 1 1/4" X 2 3/8" w/ tab head
10	7500	Nut: 1/2"
11	A3312	Actuating Arm, Right
12	A30003	Shoulder pin, 2 1/2" shoulder L
13	A30002	Roller
14	AFN-00012	Nut, 1" NF Nylon insert lock
15	A3313	Actuating Arm, Left

ASHLAND SCRAPERS
Apron Assembly


ITEM	PART	DESCRIPTION
1	A2504	Bucket
2	A4505	Pin, 1 1/4" X 2 3/8" w/lock head
3	AFB-00143	Hex Head Capscrew, 1/2" x 1" NC
4	A2224	Right Cutting Elade
5	A30021	Center Cutting Edge
6	A2221	Left Cutting Edge
7	PB-NC-050-0175	Plow bolts, 1/2" X 1 3/4"
8	AFN-00011	1/2" Nut
9	AFP-00010	Cotter Pin
10	A30020	Shoulder Pin, 1 1/4", to 1" NF
11	A3310	Pin, 1 1/4" X 2 7/8"
12	AFW-00005	Narrow rim washer, 1 1/4" ID
13	A3317	Apron
14	ADS-00033	Ground Hog Decal
15	ADS-00064	Large "AI"
16	AFN-00074	Nut: 1" Gr 8 Locknut

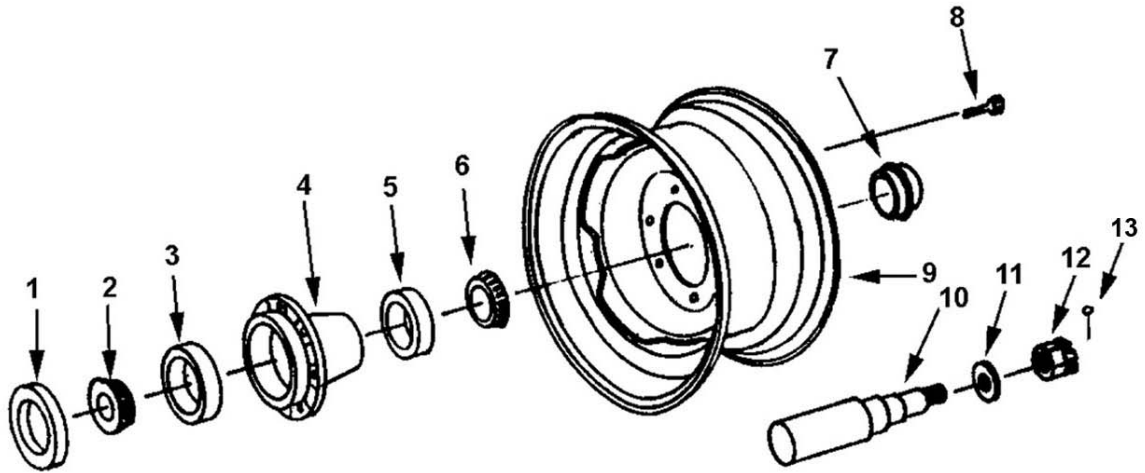
Frame - 25



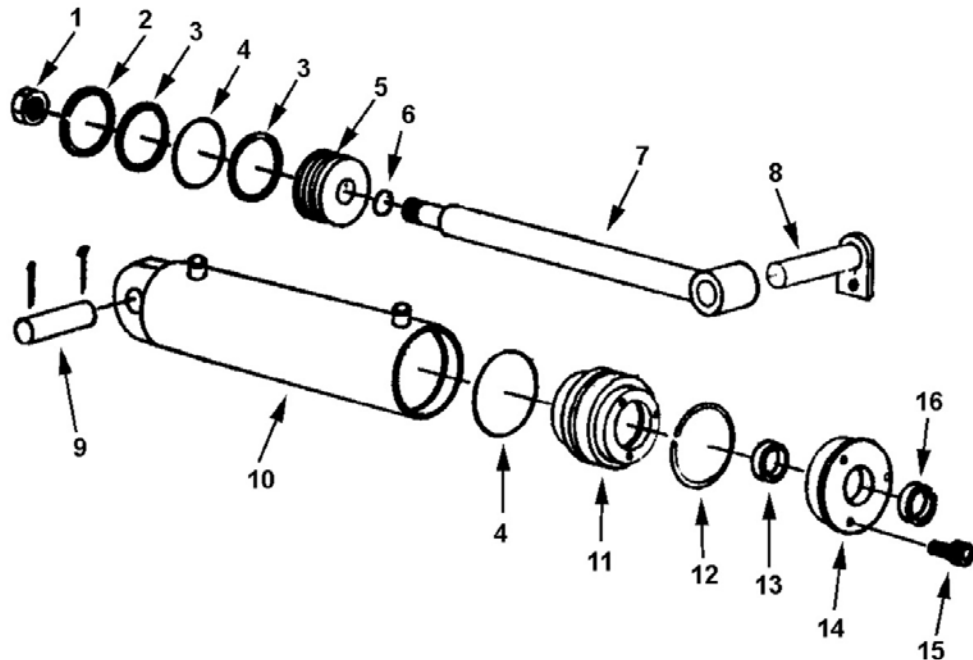
ITEM	PART	DESCRIPTION
1	A2501	Frame, two wheel mount
2	AFB-00011	Hex Cap Bolt: 5/8" X 6"
3	0091150	Hitch: 2 5/16 coupler
4	A2508	Pin, 1" X 3 1/4", + cotter both ends
5	A22H02	Hydraulic hose, 3/8" X 33"
6	A22H01	Hydraulic hose, 3/8" X 24"
	A22H03	Swivel Adapter, 3/8", 90 deg.
	A22H04	Swivel Adapter, 3/8", straight
7	A3310	Pin, 1 1/4" X 2 7/8"
8	AFB-00143	Capscrew 1/2" X 1" NC
9	A2502A	Pin, 1 1/2" X 5 5/8"
10	AFW-00031	Washer: 5/8 Lock
11	AFN-00007	Nut: 5/8' Lock

ASHLAND SCRAPERS

Wheel Assembly - 25



ITEM	PART	DESCRIPTION
1	906285	Grease Seal
2	910267	Bearing Cone (inner)
3	910265	Bearing Cup (inner)
4	280581	Hub, less bearings
5	910266	Bearing Cup (outer)
6	910268	Bearing Cone (outer)
7	909982	Hub Cap
8	913538	Wheel Bolt
9	A3319A	Wheel, 15" X 8"
10	280731	Spindle
11	913607	Washer, 7/8"
12	912952	Nut, 7/8" NF
13	905936	Cotter Pin, 3/16" X 1 1/2"

ASHLAND SCRAPERS
Lift Cylinder - (A3516H1)


ITEM	PART	DESCRIPTION
	A3516H1	APRON CYLINDER (3 1/2" X 16")
1	A22H05	Piston Nt, 3/4" NF
2	A22H06	Cast Iron Ring, 3 1/2" OD
3	A22H07	Back-up Washer, 3 1/2" OD
4	A22H08	O-Ring Seal, 3 1/2" X 3 1/16"
5	A22H09	Piston, 3 1/2"
6	A22H10	Piston Gasket, 3/4" ID
7	A22H11	Shaft, 1 1/2" dia.
8	A3318A	Pin, 1" X 5 5/8" tab head
	AFB-00143	Capscrew, 1/2" NC X 1" w/LW
9	A2508	Pin, 1" 1 3/4"
	AFP-00003	Cotter pin, 3 1/6" X 1 1/2"
10	A22H12	Barrel 3 1/2" ID
11	A22H13	Head Gland, 3 1/2"
12	A22H14	Retainer Ring
13	A22H15	O-Ring
	A22H15A	Back-up Washer
14	A22H16	Head Cap
15	A22H18	Capscrew, 1/4" X 1"
16	A22H17	Wiper seal, 1 1/2" OD
	A22H19B	Seal Kit

ASHLAND SCRAPERS**Warranty Statement**

Ashland Industries Inc. warrants each new product to be free from defects in material and workmanship. This warranty is applicable only for the normal service life expectancy of the product or components, not to exceed **six consecutive months** from the date of delivery of the new Ashland Industries product to the purchaser, or the date the product is first put into service via a rental agreement or other means, whichever occurs first.

The major components of swivel hitches used on Industrial series scrapers are warranted for three consecutive months from the date of delivery of the new Ashland Industries product to the purchaser, or the date the product is first put into service via a rental agreement or other means, whichever occurs first, except those components described below.

Genuine Ashland Industries Inc. replacement parts and components will be warranted for 30 days from date of purchase, or the remainder of the original equipment warranty period, whichever is longer.

Under no circumstances will it cover any merchandise or components thereof, which in the opinion of the company, has been subjected to misuse, unauthorized modification, alterations, an accident or if repairs have been made with parts other than those obtained through Ashland Industries Inc.

Ashland Industries Inc. in no way warrants Tires since their respective manufacturer warrants these items separately. Please call Ashland Industries Inc. to receive phone numbers of tire suppliers.

Ashland Industries Inc. in no way warrants wearable items such as cutting edges, front dolly wheel balls, socket halves, rollers, bushings, yoke hitch pins, hitch bushings, etc..

Our obligation under this warranty shall be limited to repairing or replacing, free of charge to the original purchaser, any part that, in our judgment, shall show evidence of such defect, provided further that such part shall be returned within 30 days from the date of failure to Ashland Industries Inc. routed through the dealer and distributor from whom the purchase was made, transportation charges prepaid. Upon warranty approval proper credits will be reimbursed for transportation.

This warranty shall not be interpreted to render Ashland Industries Inc. liable for injury or damages of any kind or nature to person or property. This warranty does not extend to the loss revenue, extra labor cost associated with downtime, substitute machinery, rental or for any other reason.

Except as set forth above, Ashland Industries Inc. shall have no obligation or liability of any kind on account of any of its equipment and shall not be liable for special or consequential damages. Ashland Industries Inc. make no other warranty, expressed or implied, and, specifically, Ashland Industries Inc. disclaims any implied warrant or merchantability or fitness for a particular purpose. Some states or provinces do not permit limitations or exclusions of implied warranties or incidental or consequential damages, so the limitations or exclusion in this warranty may not apply.

This warranty is subject to any existing conditions of supply which may direct affect our ability to obtain materials or manufacture replacement parts.

Ashland Industries Inc. reserves the right to make improvements in design or changes in specifications at any time, without incurring any obligation to owners of units previously sold.

No one is authorized to alter, Modify or enlarge this warranty nor the exclusion, limitations and reservation .

Warranty Department