



BUCHLI MASTER PARTS BOOK

B-22 Scraper

ver 12-02

Ashland Industries Inc.
1115 Rail Drive
P.O. Box 717
Ashland, WI. 54806
Ph: 877-634-4622 *Toll Free*
Ph: 715-682-4622
Fx: 715-682-9717
www.ashlandind.com



INDEX PAGE

B-22 Scraper
B-22D Scraper

How to order parts:

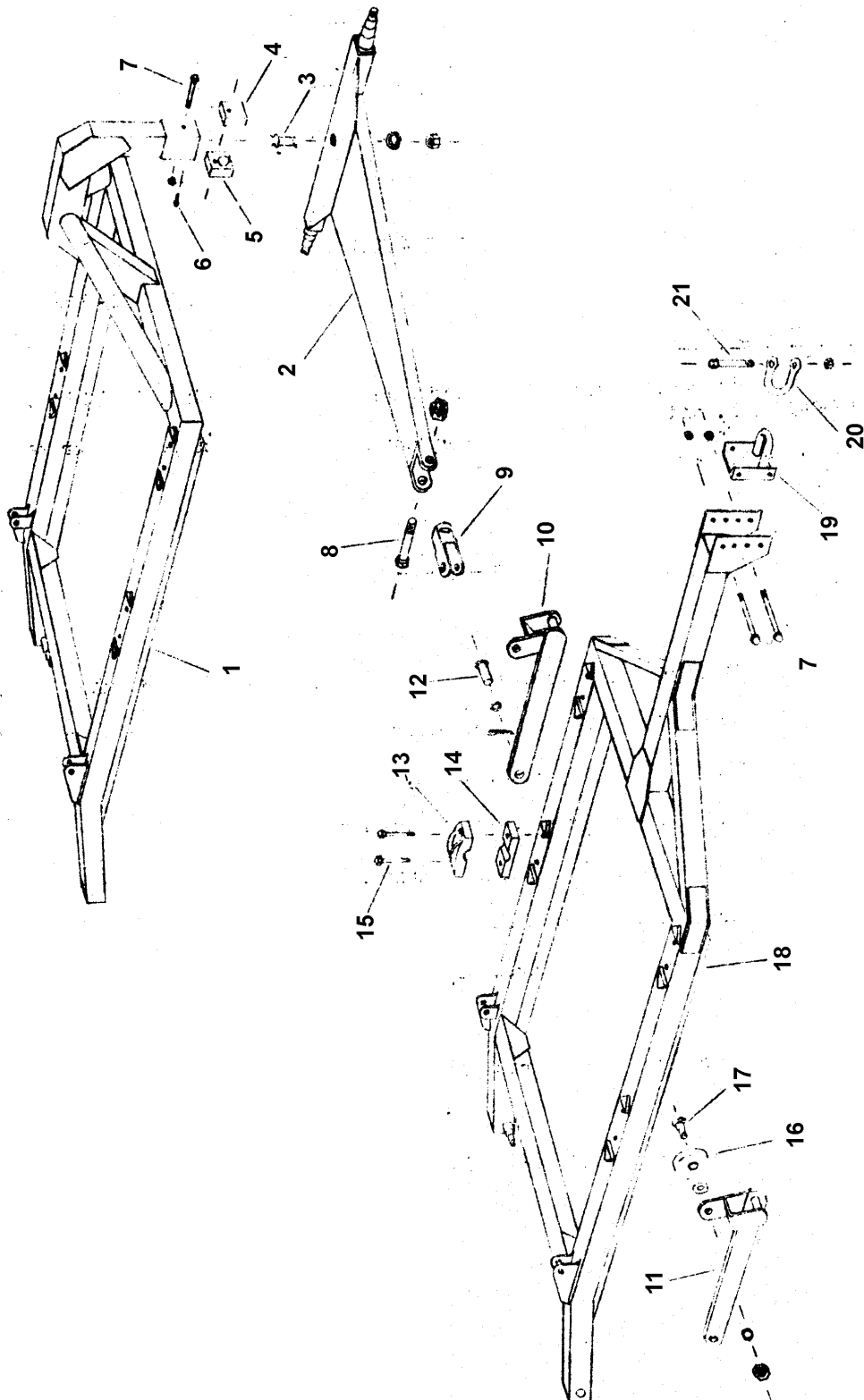
Be sure to state MODEL and SERIAL NO. of machine, PARTS NO., DESCRIPTION, and QUANTITY wanted.

Unless this is done, we cannot give you prompt service or send the correct parts.

I N D E X

<i>Page No.</i>	<i>Illustration & Parts List</i>
3 - 4	Frames, Actuating arms, and Pole & Axle Ass'y
5 - 6	Bucket, Apron and Actuating Frame
7 - 8	Hyd. Hose, Piping & Fittings
9	Hyd. Cylinder, 3-1/2" x 16" Model 3516 DAW
10	Hyd. Cylinder, 2-1/2" x 16" Model 2516 DAW, high pressure (opt)
11	Hyd. Cylinder, 2" x 16" Model FEQS-5, (high pressure)
12	Hyd. Cylinder, 3-1/2" x 16" Model FEQS-3
13	Wheel, Hub, Bearing & Spindle Ass'y

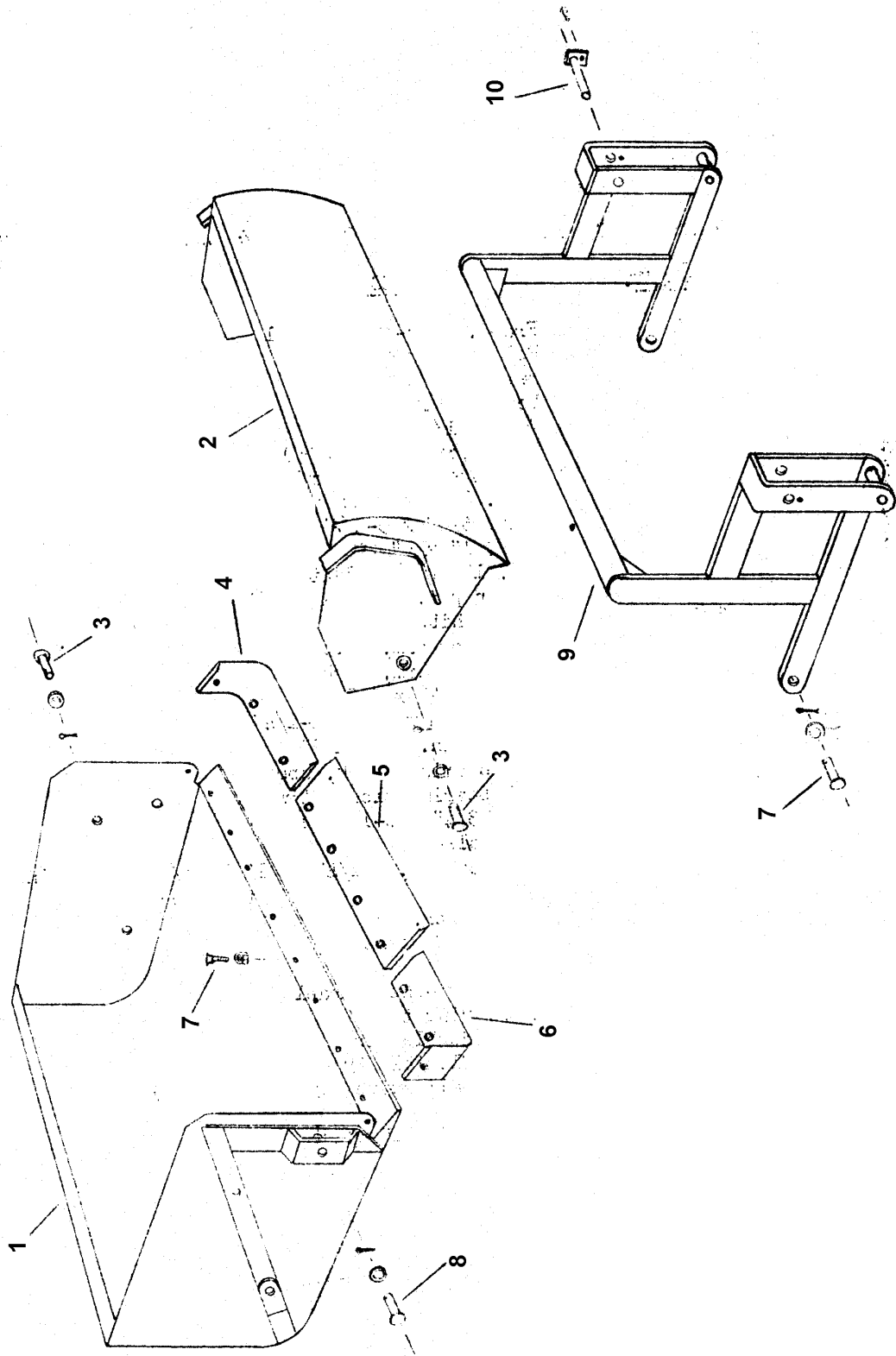
FRAMES, ACTUATING ARMS, POLE & AXLE ASS'Y



PARTS LIST
FRAMES, ACTUATING ARMS, POLE & AXLE ASS'Y
B-22

Key No.	Part No.	Description
1	211DA	Frame, four-wheel model
2	214A	Pole and axle
3	216A	Ball swivel Lock washer, 1-1/4" NF Nut, 1-1/4" NF
4	215A/A2205	Cast socket, front half
5	215/A2204	Cast socket, rear half w/zerk hole
6	3002	Zerk, 1/8" NPT long shank
7		Bolt, 5/8" x 5-1/2" w/nut and LW
8		Bolt, 1" x 6" NF Nut, 1" NF castellated Cotter pin, 3/16" x 1-1/2"
9	3004	Swivel hitch
10	207L	Actuating arm, left
11	208R	Actuating arm, right
12	217	Pin, 1-1/4" x 2-3/4" Narrow rim washer, 1-1/4" Cotter pin, 1/4" x 2"
13	219U	Cast bearing block, upper
14	220L	Cast bearing block, lower
15		Bolt, 3/4" x 6-1/2" w/nut
16	209	Cast roller
17	209A	Shoulder pin, 1-1/4" to 1" NF w/zerk hole in threaded end Flat washer, 1" Shakeproof washer, 1" Nut, 1" NF castellated
18	212A	Frame, two-wheel model
19	213A	Hitch, ring type
	213	Hitch, double lip type (optional)
	213B	Hitch, flexible type (optional)
	213C	Hitch, ball swivel type (optional)
20	229	Clevis
21		Bolt, 7/8" x 4" w/nut

BUCKET, APRON & ACTUATING FRAME



PARTS LIST
 BUCKET, APRON & ACTUATING FRAME
 B-22

Key No.	Part No.	Description
1	202	Bucket
2	203	Apron
3	210A	Pin, 1-1/4" x 2-3/8" Narrow rim washer, 1-1/4" Cotter pin, 1-1/4" x 2"
4	206L 30018LW	Left cutting edge, 4" Left cutting edge, 6" (optional)
5	204C	Center cutting edge
6	205R 30017RW	Right cutting edge, 4" Right cutting edge, 6" (optional)
7		Plow bolt, 1/2" x 1-1/2" w/nut Plow bolt, 1/2" x 1-3/4" w/nut
8	217	Pin, 1-1/4" x 2-3/4" Narrow rim washer, 1-1/4" Cotter pin, 1/4" x 2"
9	201A	Actuating Frame
10	228	Pin, 1" x 5-1/4" Lock washer, 1/2" Capscrew, 1/2" x 1-1/4" NC

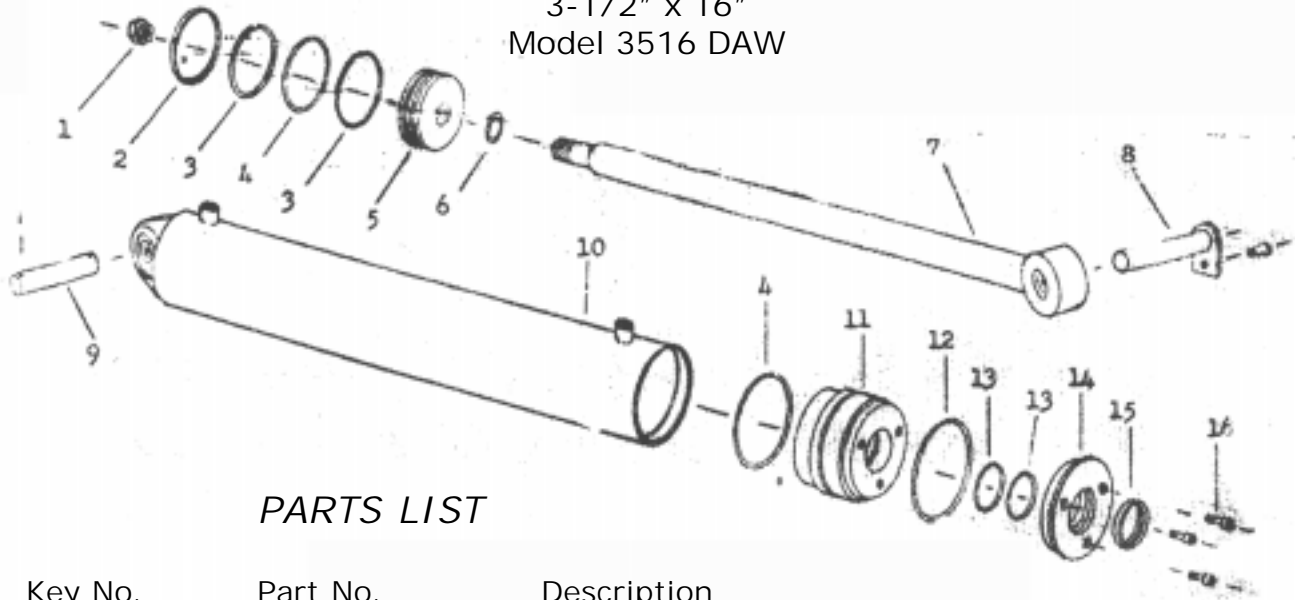
PARTS LIST
HYDRAULIC HOSE, PIPING AND FITTINGS
B-22

Key No.	Part No.	Description
1	221A	1/2" x 31" Curved Pipe
2	222A	1/2" x 29" 13/16" Pipe
3	223A	1/2" x 31" Pipe
4	224A	1/2" x 27" Pipe
5	225L	1/2" x 71-3/8" Pipe
6	225R	1/2" x 72-1/2" Pipe
7	115	3/8" x 24" Hydraulic Hose
8	116	3/8" x 33" Hydraulic Hose
		3/8" Swivel adapder, 90 degree
		3/8" Swivel adapder, Straight
9	227B	3/8" x 64-1/2" Pipe

STANDARD PIPE FITTINGS

A	1/2" x 90 degree Elbow
B	1/2" x 90 degree Street Elbow
C	1/2" x 45 degree Elbow
D	1/2" x 3/8" x 3/8" Tee
E	3/8" x 90 degree Elbow

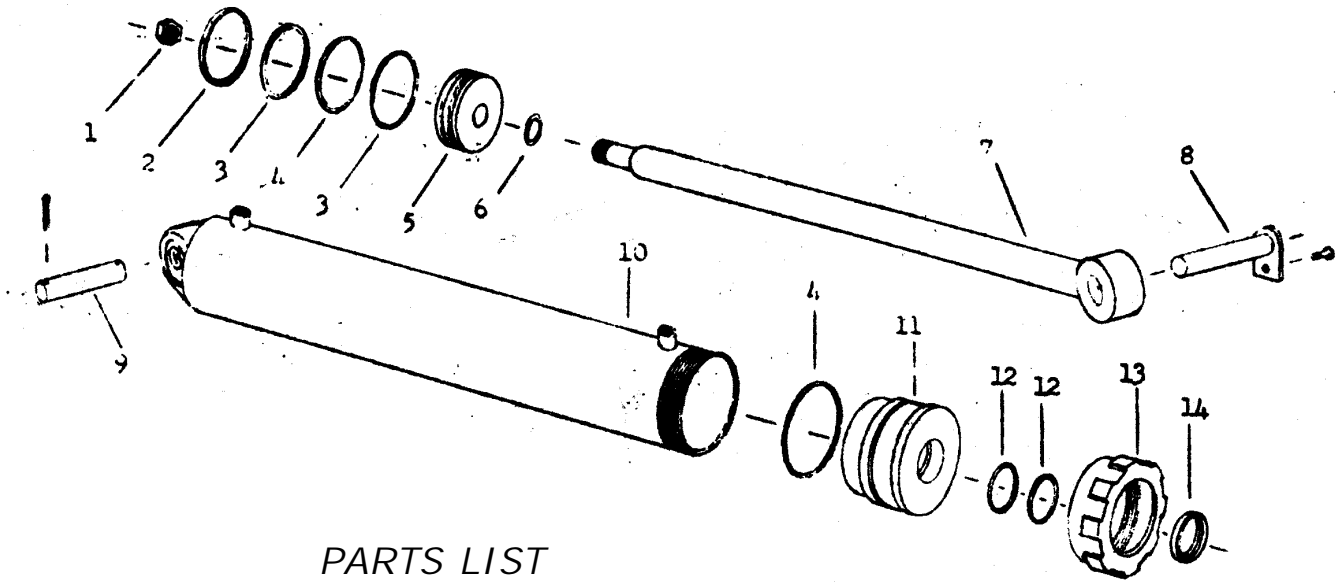
HYDRAULIC CYLINDER
 3-1/2" x 16"
 Model 3516 DAW



PARTS LIST

Key No.	Part No.	Description
1	35 DAW-T	Piston nut
2	35 DAW-PC	Cast iron piston ring
3	35 DAW-PB	Piston backup washer
4	35 DAW-P	Piston & static O-ring seal
5	35 DAW-H	Piston
6	35 DAW-S	Piston gasket
7	35 DAW-F	Shaft
8	228	Pin, 1 x 5-1/4" Capscrew, 1/2" x 1-1/4" NC
9	3310	Shakeproof washer, 1/2" Pin, 1" x 4" Cotter pin, 3/16" x 1-1/2"
10	35 DAW-GJ	Barrell assembly
11	35 DAW-E	Head
12	35 DAW-W1	Retainer Ring
13	35 DAW-O	Shaft O-ring seal
14	35 DAW-W	Head cap
15	35 DAW-N	Wiper seal
16	35 DAW-X	Socket head cap screw
	35 DAW-PK	Packing kit containing:
		1 35 DAW-PC
		2 35 DAW-PB
		2 35 DAW-P
		1 35 DAW-S
		1 35 DAW-W1
		2 35 DAW-O
		1 35 DAW-N

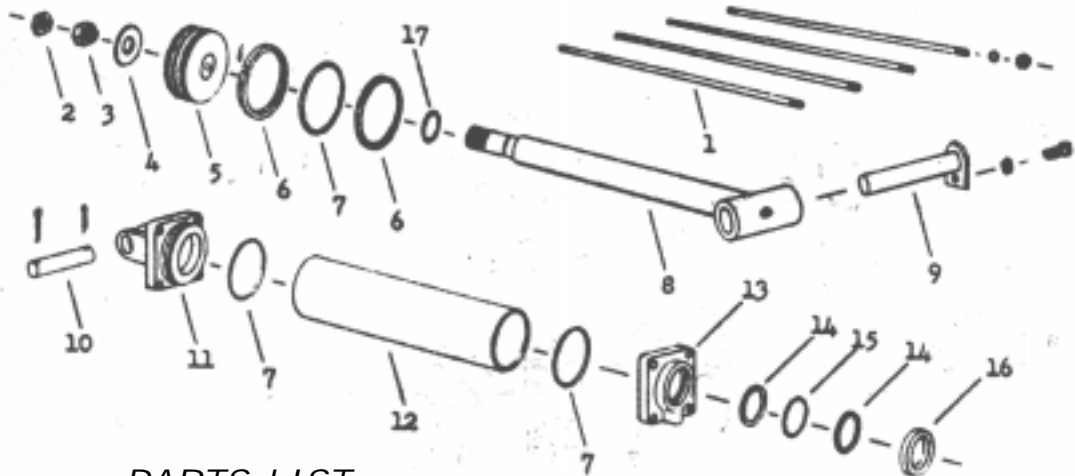
HYDRAULIC CYLINDER
 2-1/2" x 16" (High Pressure)
 Model 2516 DAW



PARTS LIST

Key No.	Part No.	Description
1	25 DAW-T	Piston nut
2	25 DAW-CR	Cast iron piston ring
3	25 DAW-PB	Piston backup washer
4	25 DAW-P	Piston & static O-ring seal
5	25 DAW-H	Piston
6	25 DAW-S	Piston gasket
7	25 DAW-F	Shaft
8	228	Pin, 1 x 5-1/4"
		Capscrew, 1/2" x 1 NC
		Lockwasher, 1/2"
9	3310	Pin, 1" x 4"
		Cotter pin, 3/16" x 1-1/2"
10	25 DAW-GJ	Barrell assembly
11	25 DAW-E	Head
12	25 DAW-O	Shaft O-ring seal
13	25 DAW-W	Head cap
14	25 DAW-N	Wiper seal
	25 DAW-PK	Packing kit containing:
		1 25 DAW-CR
		2 25 DAW-PB
		2 25 DAW-PB
		1 25 DAW-S
		2 25 DAW-O
		1 25 DAW-N

HYDRAULIC CYLINDER (HIGH PRESSURE)



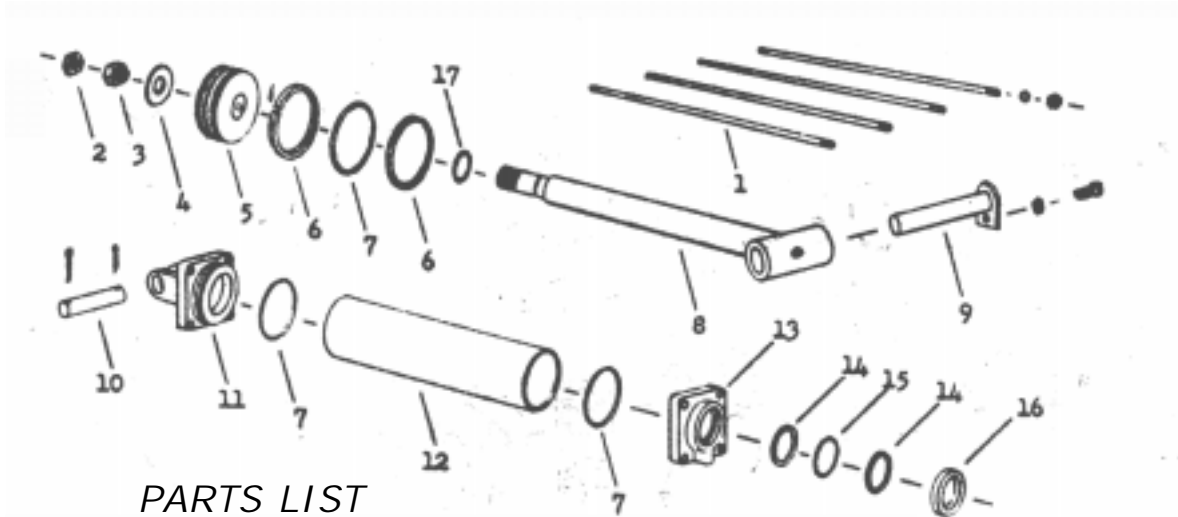
PARTS LIST

Model FEQS-5 Hydraulic Cylinder, 2" x 16" (High Pressure)

Model B-22 Scraper (Used up to serial no. 2259)

Key No.	Part No.	Description
1	PMSP-10207	Tie rod 1/2" Lockwasher 1/2" Nut, 1/2" NF
2		Jam nut, 3/4" NF
3		Nut, 3/4" NF
4		Flat washer, 3/4"
5	P4-700	Piston 2 OD
6	PMAP-R-29	Cast ring 2 OD
7	PMAP-O-29	O-ring 2 OD
8	P13-FEQS-5	Piston rod
9	228	Pin, 1" x 5-1/4" (used on sn 2046 & up) Capscrew, 1/2" x 1 NC Lockwasher, 1/2"
10	PMSP-212 230 PMSP-6	Pin, 1" x 5-1/2" (used up to sn 2045) Pin, 1" x 3-1/2" (used on sn 2064 to 2259) Pin, 1" x 2-1/2" (used up to sn 2045) Cotter, 3/16" x 1-1/2"
11	B1-700	Base clevis end
12	T1-FEQS-5	Cylinder tube 2 ID
13	G1-700	Gland
14	PMAP-W-21	Backup washer, 1-1/8" ID
15	PMAP-O-21	O-ring 1-1/8 ID
16	PMAP-S-CP-21	Wiper seal, 1-1/8" ID
17	PMAP-O-13 PMCK-FEQS-5	O-ring gasket, 7/8" OD Packing kit containing: 2 PMAP-R-29 3 PMAP-O-29 2 PMAP-W-21 1 PMAP-O-21 1 PAMP-S-CP-21 1 PMAP-O-13

HYDRAULIC CYLINDER

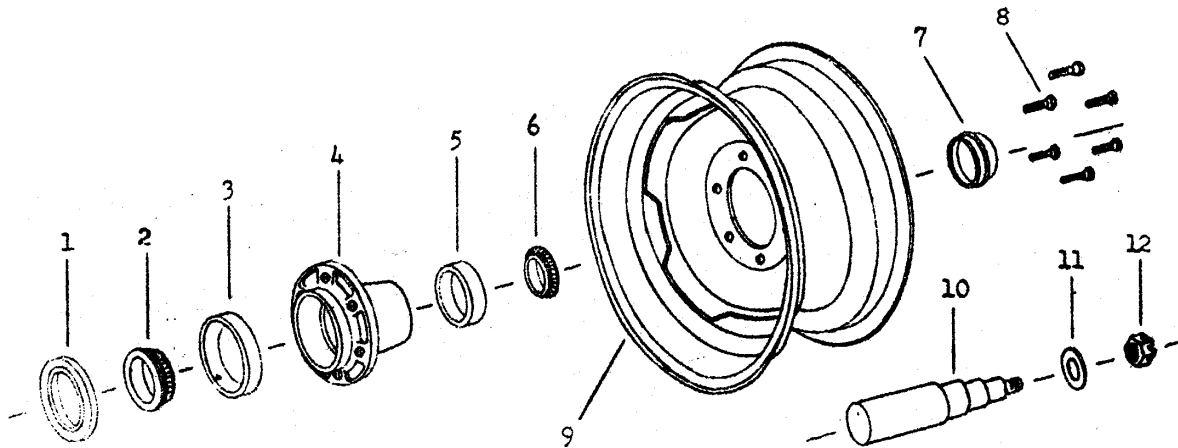


PARTS LIST

Model FEQS-3 Hydraulic Cylinder, 3-1/2" x 16"
 Model B-22 Scraper (Used up to serial no. 2259)

Key No.	Part No.	Description
1	PMSP-10216	Tie rod 1/2" (4 used) Lockwasher 1/2" (4 used) Nut, 1/2" NF (4 used)
2		Jam nut, 7/8" NF
3		Nut, 7/8" NF
4		Flat washer, 7/8" Special
5	P4-1100	Piston 3-1/2"
6	PAMP-R-41	Cast ring 3-1/2" OD (2 used)
7	PMAP-0-41	O-ring 3-1/2" OD (3 used)
8	P13-FEQS-3	Piston rod
9	228	Pin, 1" x 5-1/4" (used on sn 2046 & up) Capscrew, 1/2" x 1 NC Lockwasher, 1/2" Capscrew, 1/2" x 1 NC
10	PMSP-212	Pin, 1" x 5-1/2" (used up to sn 2045)
	230	Pin, 1" x 3-1/2" (used on sn 2064 to 2259)
	PMSP-6	Pin, 1" x 3-1/2" (used up to sn 2045) Cotter, 3/16" x 1-1/2"
11	B1-1100	Base clevis end
12	T1-FEQS-3	Cylinder tube 3-1/2" ID
13	G1XX-1100	Gland
14	PMAP-W-25	Backup washer, 1-3/8" ID (2 used)
15	PMAP-O-25	O-ring 1-3/8 ID
16	PMAP-S-CP-25	Wiper seal, 1-3/8" ID
17	PMAP-O-15	O-ring, 1 OD
	PMCK-FEQS-3	Packing kit containing: 3 PMAP-0-41 2 PMAP-R-41 1 PMAP-0-15 1 PMAP-0-25 2 PMAP-W-25 1 PMAP-S-CP-25

WHEEL, HUB, BEARING & SPINDLE ASS'Y



PARTS LIST

Key No.	Part No.	Description
1	AFS-1180	Grease seal
2	342A	Bearing cone, inner
3	332	Bearing cup, inner
4	Q-670	Hub, less bearings
5	14276	Bearing cup, outer
6	14137A	Bearing cone, outer
7	FS-8034	Hub cap
8	FS-13945	Wheel bolt
9	C-13753	Wheel, 14 x 6
	C-11141	Wheel, 15 x 6 (optional)
10	FS-12590	Spindle
11	FS-2002	Washer, special, 7/8 flat
12		Nut, 7/8 NF castellated
		Cotter pin, 3/16 x 1-1/2