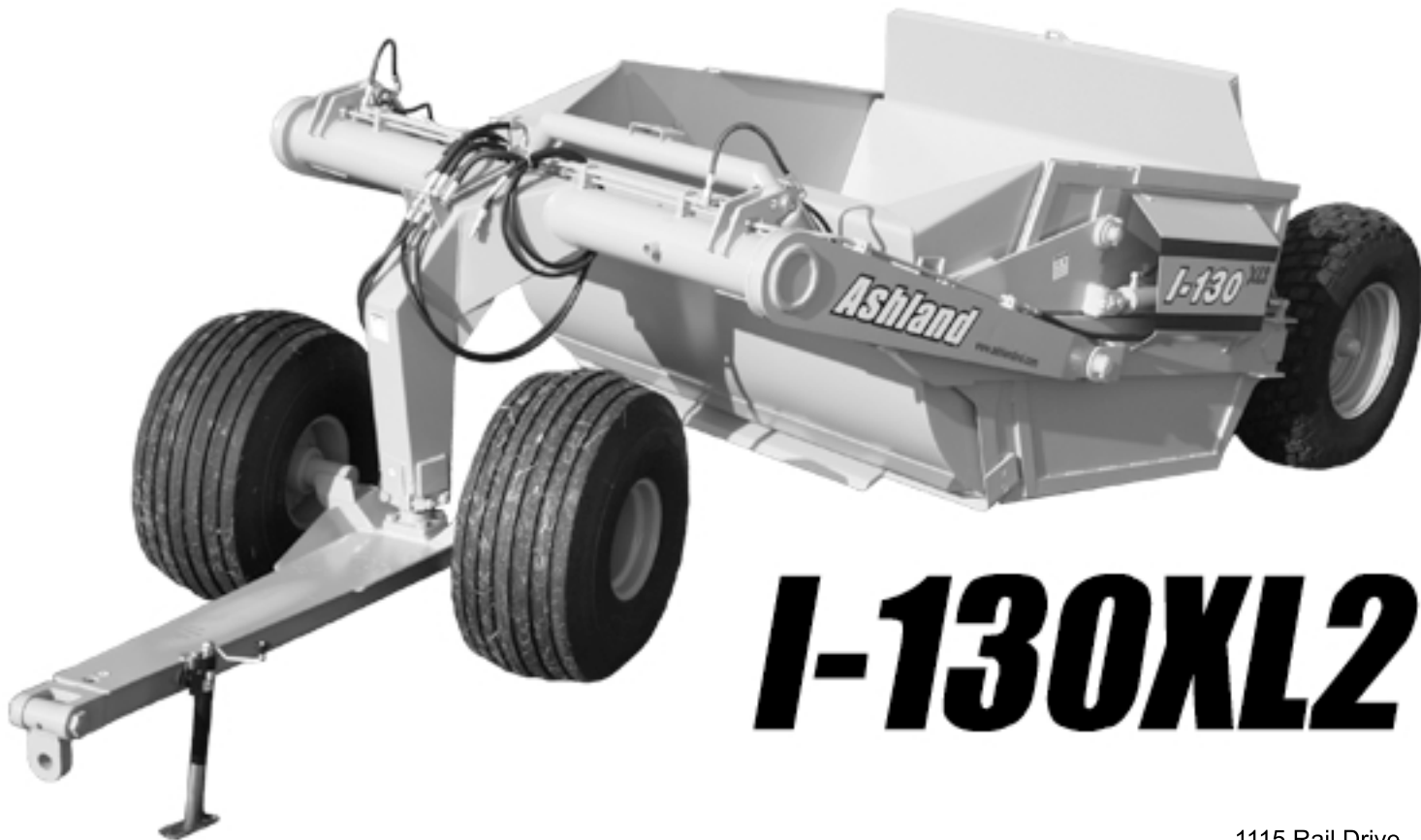


# Ashland

## EARTHMOVERS

### Parts Manual

ver. 0611



# I-130XL2

**Ashland Industries**

*Crafting Quality since 1953!*



1115 Rail Drive

P.O. Box 717

Ashland, WI U.S.A.

Toll Free: (877) 634-4622

Business: (715) 682-4622

Fax: (715) 682-9717

[www.ashlandind.com](http://www.ashlandind.com)

[www.scraperdrawbar.com](http://www.scraperdrawbar.com)

## ASHLAND SCRAPERS

### Serial Number

### WELCOME TO OUR NEW CUSTOMERS!

Thank you for your purchase of an Ashland scraper and the confidence you have placed in us to handle your earthmoving projects. Years of research, testing and successful application have been spent to ensure quality and maximum performance for our customers. Please read and understand this manual before attempting to attach or operate this scraper. This manual should always remain with the machine. Be sure and fill out and send in the owners registration form at the beginning of this manual, or you may fill out the form on-line by going to [ashlandind.com](http://ashlandind.com) and click on "Register your Machine" at the bottom of the page.

### SCRAPER ID NUMBER

The serial number plate for the scraper is located on the right rear area of the scraper. The letter and numbers stamped identify the serial number, model number and capacity of the scraper. Please record this serial number for use in ordering parts, warranty issues and to trace your equipment if it is ever stolen.

References to serial number breaks on parts are located in the manual with a reference sequence of XXXXX-XXXXX. The beginning number records the serial number start of the use of that part. The ending number is the final serial number use of the part within this machine.



## ASHLAND SCRAPERS

### How to Order Parts

#### **IMPORTANT**

Parts must be ordered through your local authorized ASHLAND dealer.  
Be sure to state MODEL and SERIAL NUMBER of your machine, PART NUMBER,  
DESCRIPTION and QUANTITY needed.

Unless this is done, we cannot provide prompt service or assure shipment of the correct parts.



Ashland Industries weldable replacement parts are available to rebuild, modify or update your scraper to current factory specifications.

## ASHLAND SCRAPERS

### Operators and Maintenance

This scraper is a durable piece of equipment and with proper care will yield many years of trouble free operation. The scraper requires a power source with TWO 4 way (double acting) hydraulic control valves.

The scraper should be greased at all points where grease fittings are provided. Check the oil levels in the tractor hydraulic system and add to maintain the proper level. Care should be used when adding oil or when disconnecting any oil line to keep all dirt out of the oil as dirt is a major factor in the failure of hydraulic components.

When the scraper is placed into operation, the operator will have to "feel out" the amount of depth of cut to obtain maximum loading efficiency. This is usually accomplished by taking a lesser and more uniform cut; however, some soil conditions such as loose sand may require a "pumping action" obtained by taking successive deep cuts and lifting out of cut as the tractor begins to lose power or traction.

1. After 10 hours work, all bolts should be checked and tightened if necessary.
2. Every 10 hours all grease fittings should be lubricated.
3. After 50 hours work, all bolts should be rechecked and tightened if necessary. Check wheel bearings and adjust if necessary.
4. After 300 hours work, clean and repack wheel bearings and replace, if necessary, cutting edges, worn pins, etc.

## ASHLAND SCRAPERS

### Safety Guidelines



#### SAFETY SIGNAL WORDS

Note the use of the signal words DANGER, WARNING and CAUTION with the safety messages. The appropriate signal word for each has been selected using the following guidelines:



**DANGER:** Indicates an imminently hazardous situation that, if not avoided, will result in death or serious injury. This signal word is to be limited to the most extreme situations typically for machine components which, for functional purposes, cannot be guarded.



**WARNING:** Indicates a potentially hazardous situation that, if not avoided, could result in death or serious injury, and includes hazards that are exposed when guards are removed. It may also be used to alert against unsafe practices.



**CAUTION:** Indicates a potentially hazardous situation that, if not avoided, may result in minor or moderate injury. It may also be used to alert against unsafe practices.



#### GENERAL SAFETY GUIDELINES

Safety of the operator is one of the main concerns in designing and developing a new piece of equipment. Designers and manufacturers build in as many safety features as possible. However, every year many accidents occur which could have been avoided by a few seconds of thought and a more careful approach to handling equipment. You, the operator, can avoid many accidents by observing the following precautions in this section. To avoid personal injury, study the following precautions and insist those working with you, or for you, follow them.

Replace any CAUTION, WARNING, DANGER or instruction safety decal that is not readable or is missing. Location of such decals is indicated in this booklet.

Do not attempt to operate this equipment under the influence of drugs or alcohol.

Review the safety instructions with all users annually.

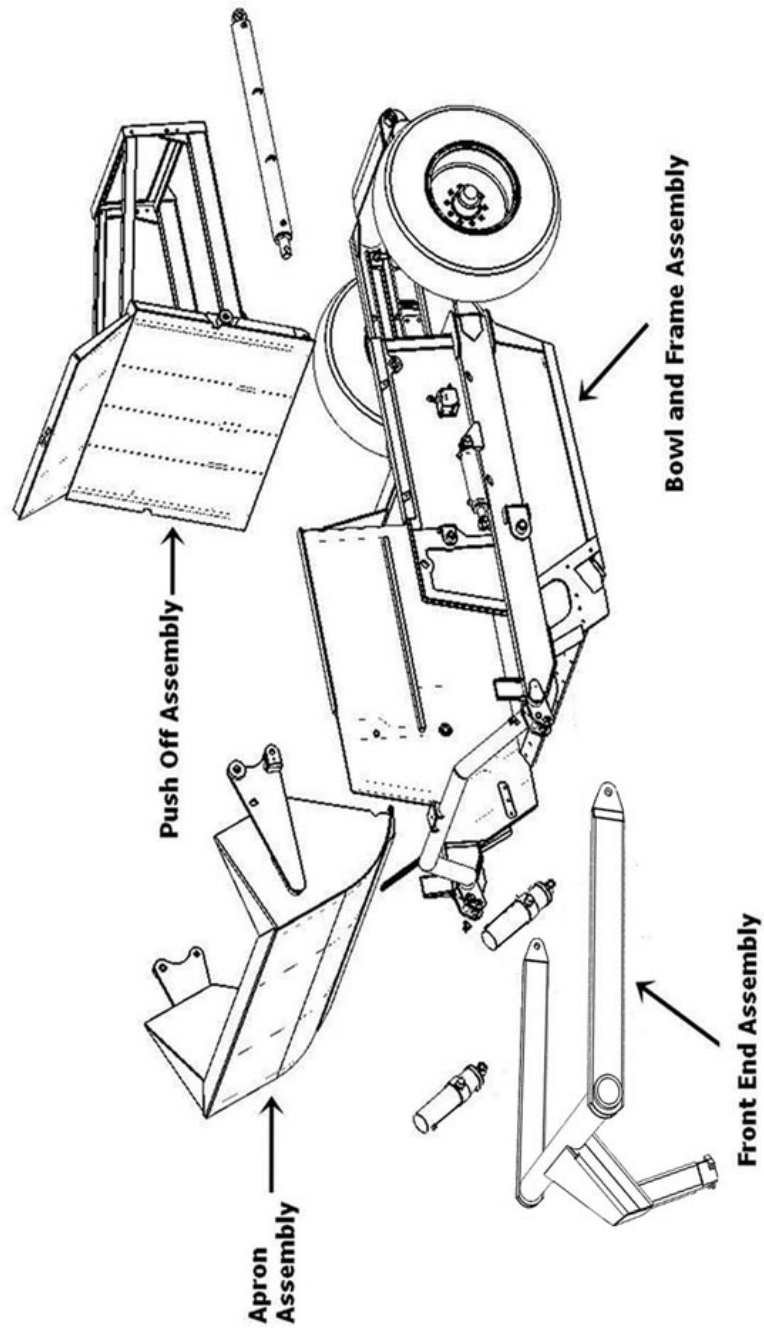
This equipment is dangerous to children and persons unfamiliar with its operation. The operator should be a responsible adult familiar with farm machinery and trained in this equipment's operations. **Do not allow persons to operate or assemble this unit until they have read this manual and have developed a thorough understanding of the safety precautions and of how it works.**

To prevent injury or death, use a tractor equipped with a Roll Over Protective System (ROPS). Do not paint over, remove or deface any safety signs or warning decals on your equipment. Observe all safety signs and practice the instructions on them.

Never exceed the limits of a piece of machinery. If its ability to do a job, or to do so safely, is in question - **DON'T TRY IT.**

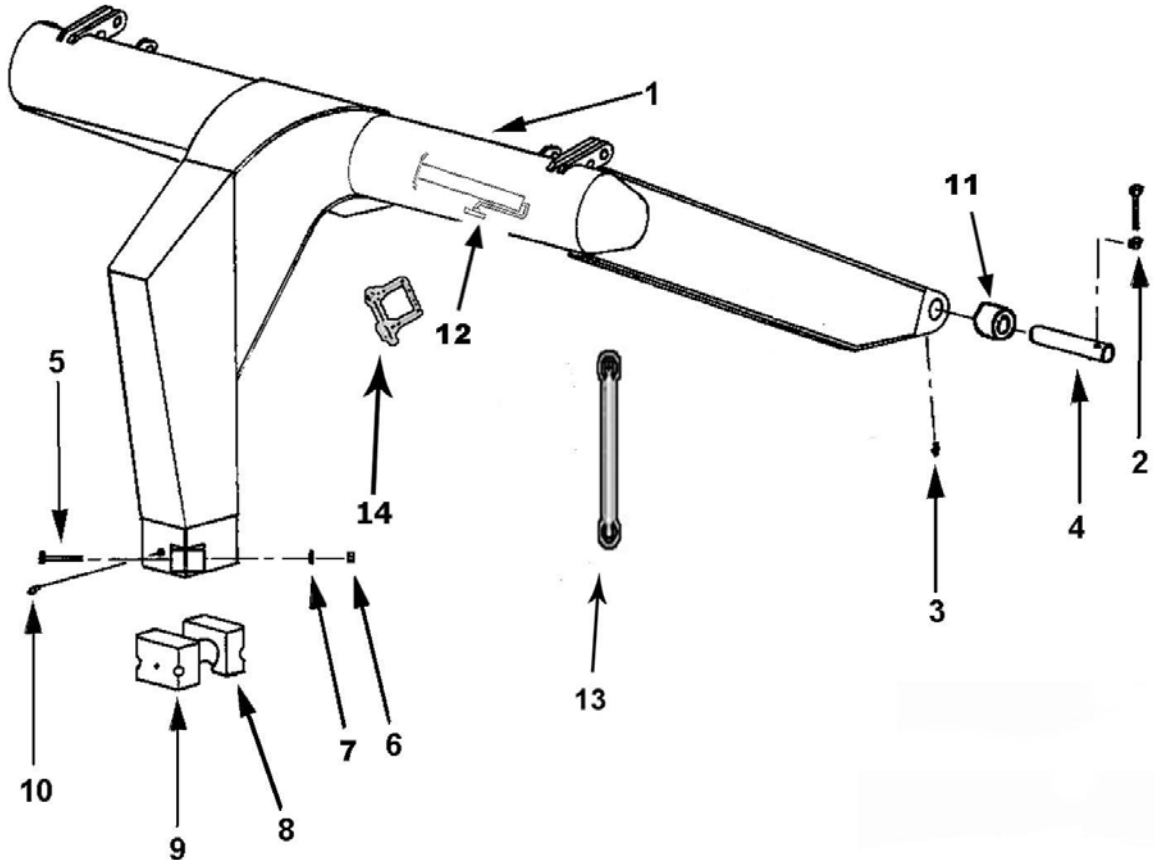
**ASHLAND SCRAPERS**  
XL Assembly

SXL300A001



# ASHLAND SCRAPERS

## Gooseneck Frame Assembly (130)

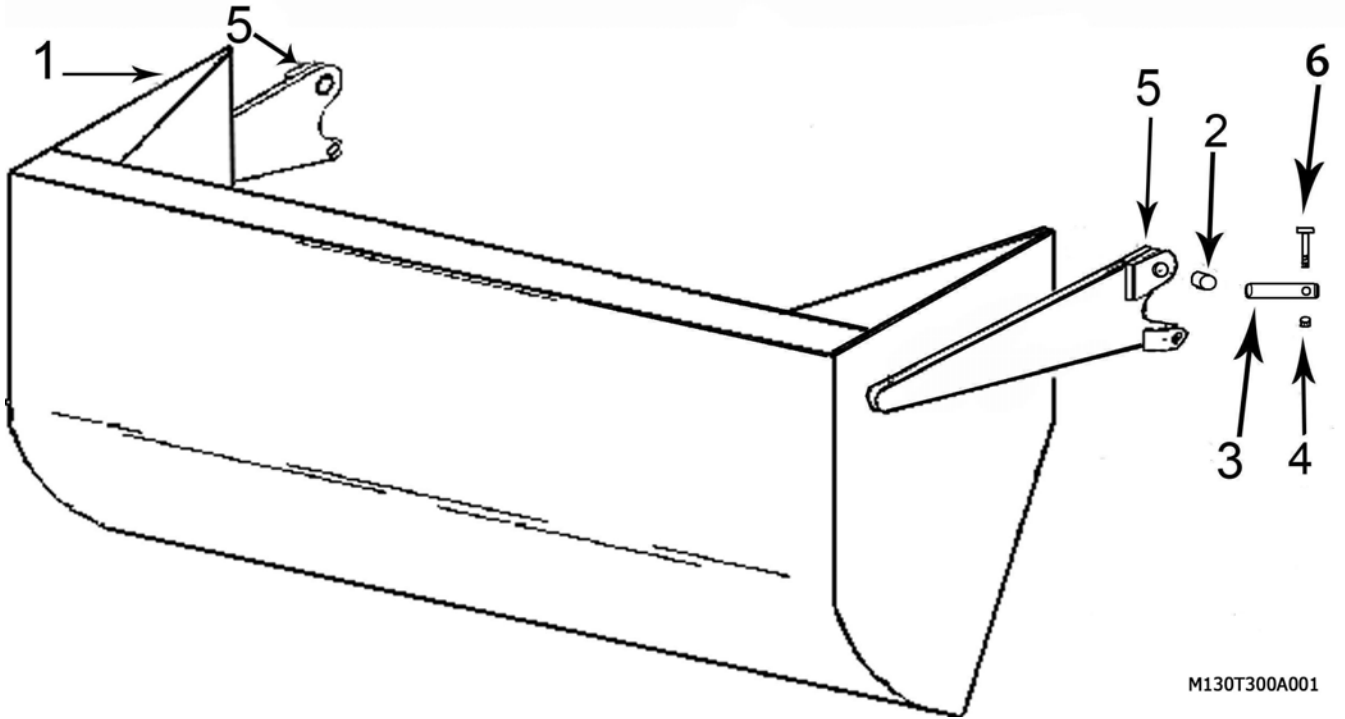


SXL300A003

KEY	PART	DESCRIPTION
1	A13011	Gooseneck Frame Assembly 130
2	AFB-00054	Bolt, 1/2" NC x 3-1/2" w/ 7500 nut
3	AHF-00028	Greasefitting 90° 1/8 NPT
4	A10152A	Pin, Frame attachment, 2" OD x 8-1/16" Long
5	AFB-00081	Bolt, 7/8" NF X 5" NF
6	7597	Nut, 7/8" NF
7	8125	Lockwasher, 7/8"
8	A14002	Cast socket half, rear
9	A14003	Cast socket half, front w/ zerk hole
10	A2206	Grease zerk, long shank"
11	A14039	Bushing, 2.375 OD x 2.00 ID x 2" Long, grease Passage
12	OPT-00001	Hitch jack
13	A030672-33	Dog Bone
14	A125006	Safety Snap Pin

**ASHLAND SCRAPERS**

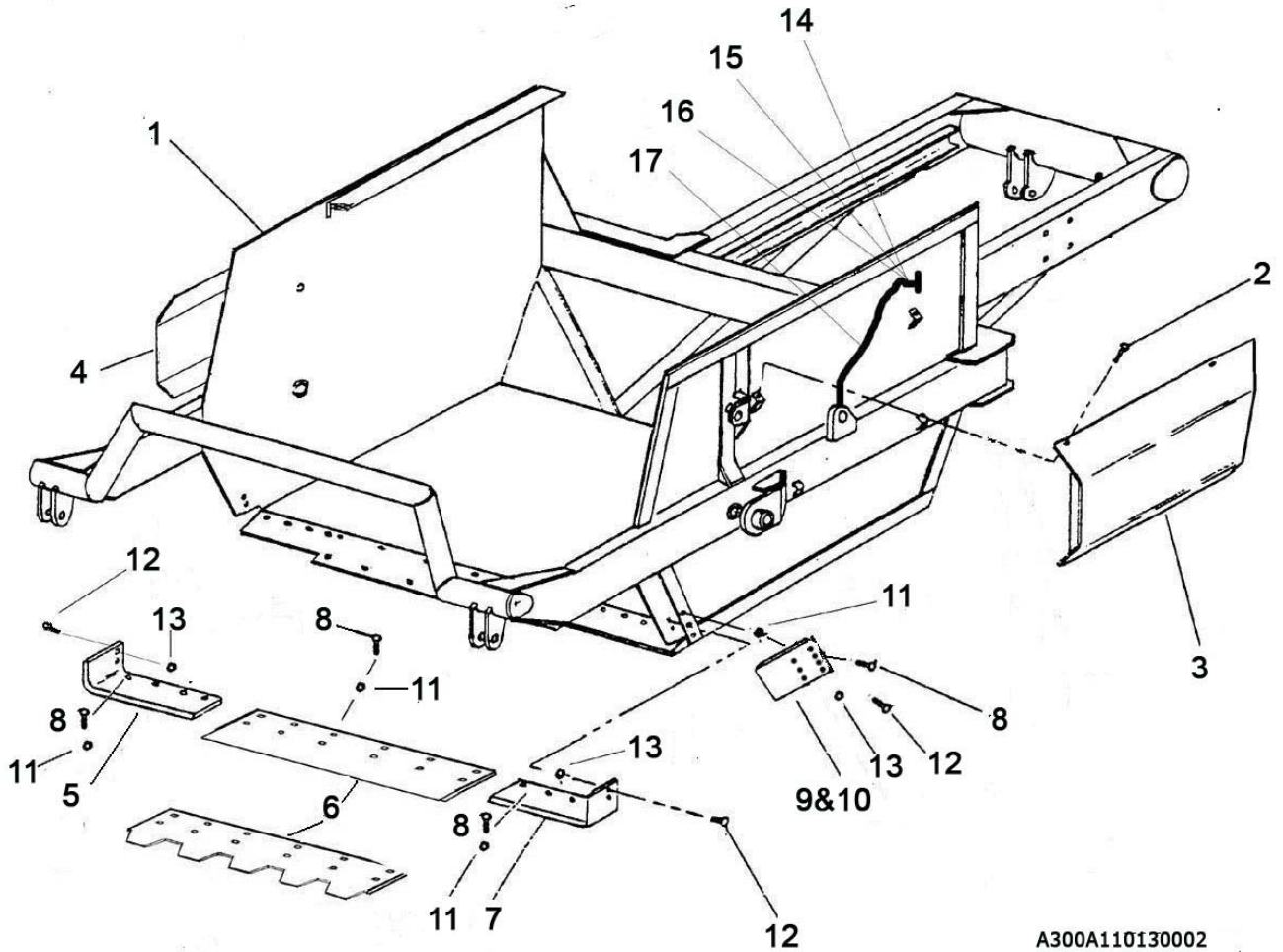
**Apron Assembly (130-1020)**



M130T300A001

KEY	PART	DESCRIPTION
1	A123341	Apron
2	A123343	Bushing: 2" OD X 1-1/2" ID x 1-3/4" Long
3	A123337	Pin: 1 1/2" X 5 3/8"L
4	7450	Nut: 3/8 NC
5	14505	Grease fitting
6	AFB-00049	Bolt: 3/8 NC X 3"



**Bowl & Frame Assembly (110-130-860-1020)**


A300A110130002

Blade Bolts Required:	Bolts	Nuts	Qty
A123331 (& Ser)	PB9P-NC-088-0275	AFN-00019	12
A123332L & R	PB9P-NC-088-0275	AFN-00019	4
	PB9P-NC-088-0225	AFN-00019	2
A123338L & R	PB9P-NC-088-0275	AFN-00019	4
	PB9P-NC-088-0225	AFN-00019	3

KEY	PART	DESCRIPTION	SN 130XL2
1	A123164	Bowl and Frame I-130XL2	
2	AFB-00094	Flanged Bolt: 3/8 NC X 1"	
3	A123309-62L	Apron Cylinder Guard - Left Side	
4	A123309-62R	Apron Cylinder Guard - Right Side	
5	A123332R	Right Cutting Edge-8" X 22 1/2" X 7/8" Hardened	20413-XXXXX
6	A123331	Center Cutting Edge, 13" x 54" Hardened	20413-XXXXX
	A123331-SER	Center Cutting Edge, (Optional) Serrated 1-1/8" x 12" x 63"	20413-XXXXX
7	A123332L	Left Cutting Edge-8" X22 1/2" X 7/8" Hardened	20413-XXXXX
8	PB9P-NC-088-0275	"Plow bolt, 7/8" NC x 2-3/4"	20413-XXXXX
9	A123338L	(Optional) Left Bank Shaver Side Blade	20413-XXXXX



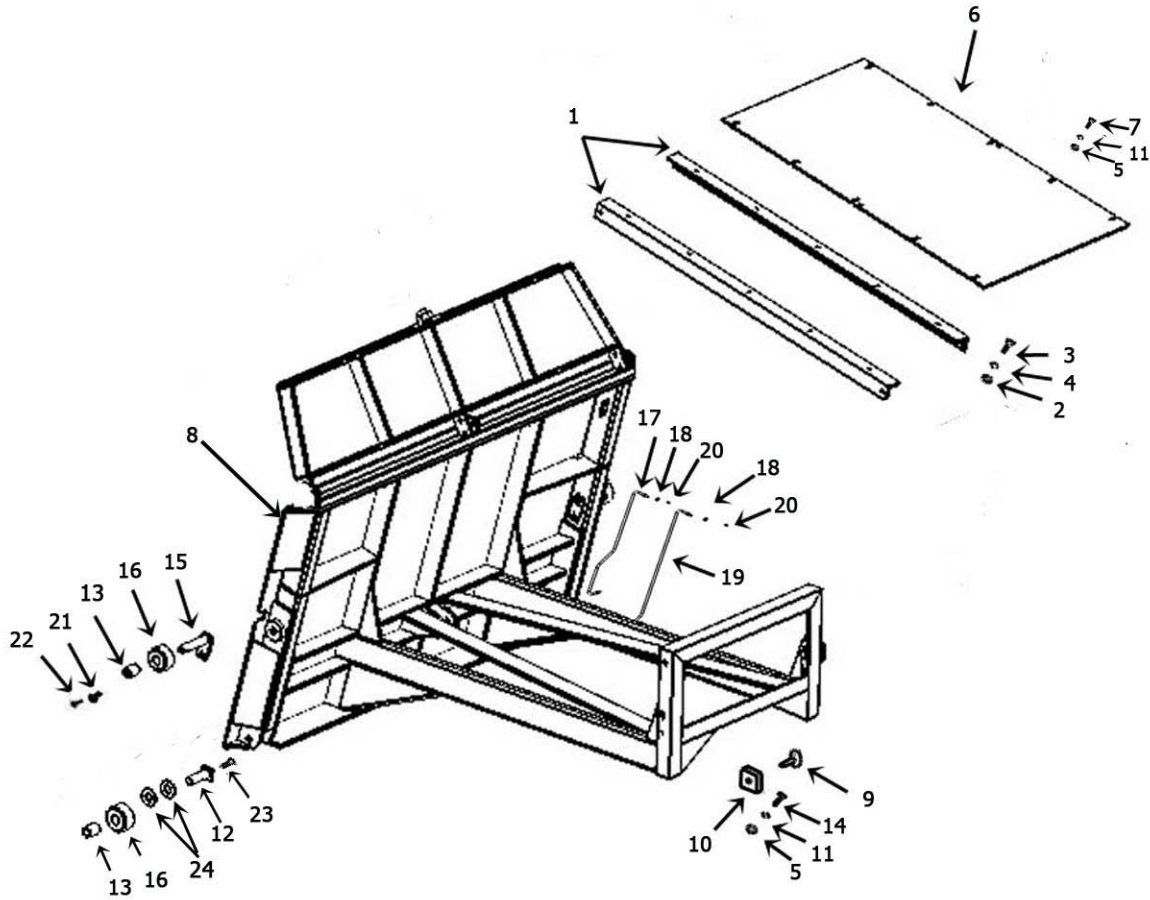
PHONE : 715-682-4622 Fax: 715-682-9717

## ASHLAND SCRAPERS

### Bowl & Frame Assembly (110-130-860-1020)

KEY	PART	DESCRIPTION	SN 130XL2
10	A123338R	(Optional) Right Bank Shaver Side Blade	20413-XXXXX
11	AFN-00019	Nut: 7/8" NC	20413-XXXXX
12	PB9P-NC-088-0225	"Plow bolt, 7/8" NC x 2-1/4"	20413-XXXXX
13	AFN-00026	Nut: 7/8" NC Jam	20413-XXXXX
14	A125019	Grease fitting 1/4-28 x .54" long	
15	A125026	Bulkhead nut 1/8 n.p.s.m.	
16	A123309-89	Single Hole Tab	
17	A125022	18" Grease Line	

**Assembly - Push Off (110-130)**



A300A110130006

KEY	PART	DESCRIPTION	SN 130XL2
1	A10159	Brace (L.H. & R.H. same)	
2	AFN-00006	Nut: 3/4" NC	
3	AFB-00037	Bolt: 3/4" NC x 2" Lg.	
4	AFW-00002	Lockwasher: 3/4"	
5	7500	Nut: 1/2" NC	
6	A10171	Dirt Shield	
7	AFB-00019	Bolt: 1/2" x 1-1/2" NC bolt	
8	A16024	Pushoff Gate: Model 130	22081-XXXXX( except 22083 old
9	A123305A	Pin: 1-1/4" x 2-3/4"	
10	A123353	Wear Pad	
11	8100	Lockwasher: 1/2"	
12	A123323-21	Pin: Pin: Lower Roller 1 1/4" X 5 1/4"	
13	A10163	Bushing: 1-3/4" OD x 1-1/4" ID	
14	AFB-00033	Bolt: 1/2 NC X 2 1/2" Gr. 8	



PHONE : 715-682-4622 Fax: 715-682-9717

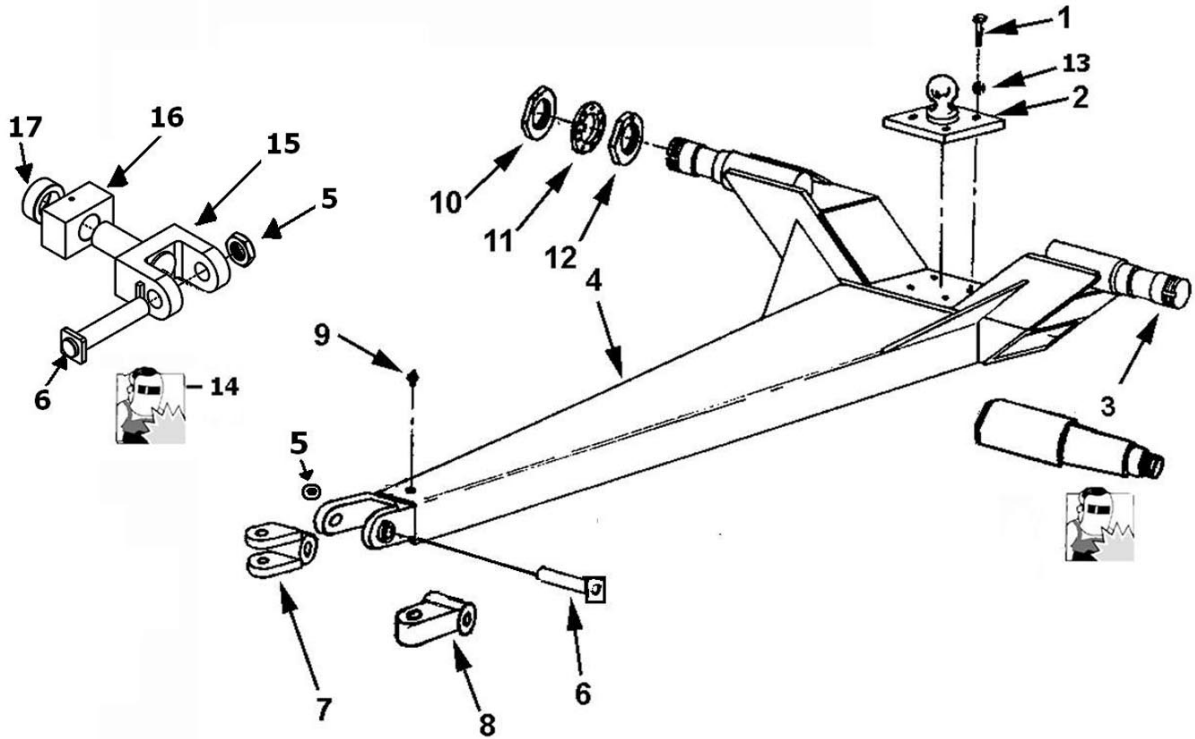
## ASHLAND SCRAPERS

### Assembly - Push Off (110-130)

KEY	PART	DESCRIPTION	SN 130XL2
15	500465	Pin: 1/4 X 7"	
16	A10164	Roller:4-1/4 OD x 1-3/4 ID	
17	A125020	32" grease line	
18	A125026	Bulkhead Nut	
19	A125021	54" greaseline	
20	A125019	Greasefitting 1/4-28 .54" long	
21	A123358	Pin Keeper Bushing	
22	AFB-00079	Bolt: 5/8" X 1 1/2" Gr. 8	
23	AFP-00001	Cotter Pin: 1/4 X 3 1/2"	
24	AFW-00015	Washer: 1 1/4" Flat	

# ASHLAND SCRAPERS

## Pole & Axle Assembly (130)

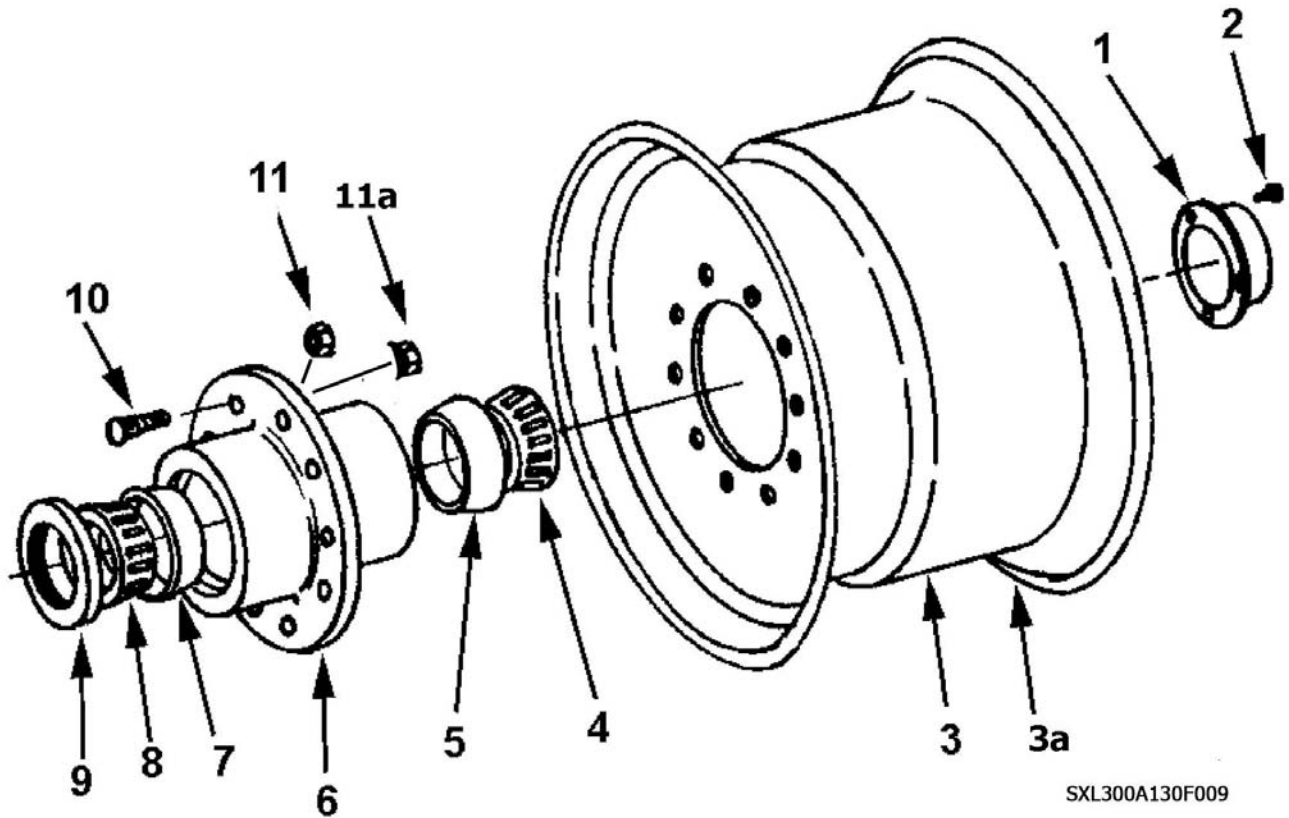


M130X300A005

KEY	PART	DESCRIPTION	SN 130XL2
1	AFB-00018	Bolt, 1" NC X 3" lg.	
2	A14017	Ball Swivel	
3	500581	Flat Sided spindle (weld on)	22346-XXXXX
3	A14021	Spindle (weld on)	XXXXX-22345
4	A13006	Pole	
5	500462	Nut, Swivel Pin	
6	600055	Pin, Swivel Hitch	
7	A17511	Swivel hitch, double lip (optional)	
8	A17510	Swivel hitch, single lip	
9	14505	Grease fitting	
10	A10048	Spindle Nut	
11	A10049A	Lock collar	
12	A10172	Nut w/lock pin	
13	AFW-00006	Lockwasher, 1"	
14	A123232A	Yoke hitch rebuild kit: (includes block, collar, yoke, pin, nut (5,6,15,16,17)	
15	A123232-3	Swivel Yoke Assembly	
16	A123232-2	Swivel Block	
17	A123232-1A	Retaining Collar	

**ASHLAND SCRAPERS**

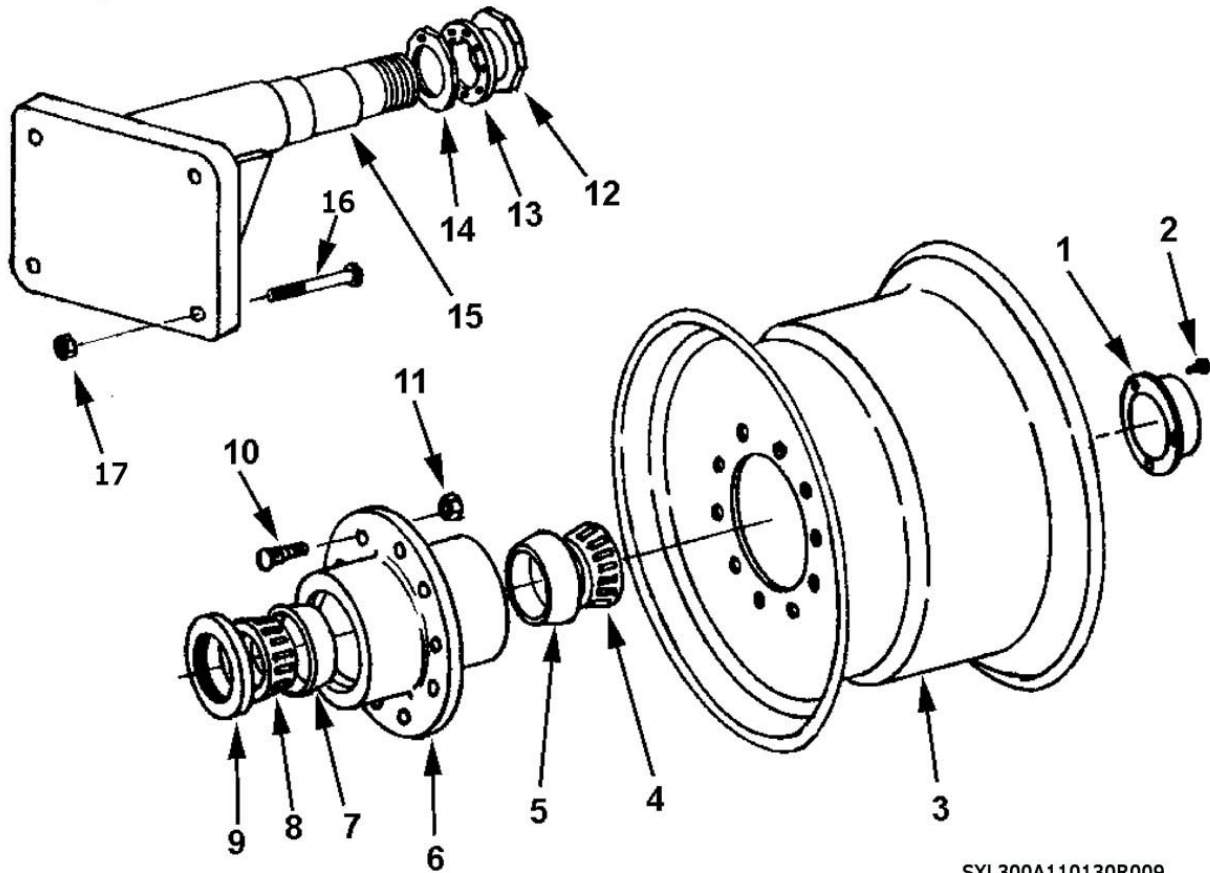
**Assembly - Wheel Front (130)**



KEY	PART	DESCRIPTION
1	A14004	Hub Cap
2	AFB-00080	Bolt, 5/16 NC X 1/2 L.
3	A13007	18 X 16.1 Wheel, Old Style Rim ( has gussets/chamfer holes
3a	A13007A	18 X 16.1 Wheel, New Style Rim (uses flanged wheel nut)
4	A14015	Bearing Cone
5	A14014	Bearing Cup
6	A14010A	Hub
7	A14013	Bearing Cup
8	A14012	Bearing Cone
9	A14011	Grease Seal
10	A10176	Stud
11	A10046	Lug Nut
11a	A125346	Flanged Nut

## ASHLAND SCRAPERS

### Rear Wheel Assembly (110X-130X)



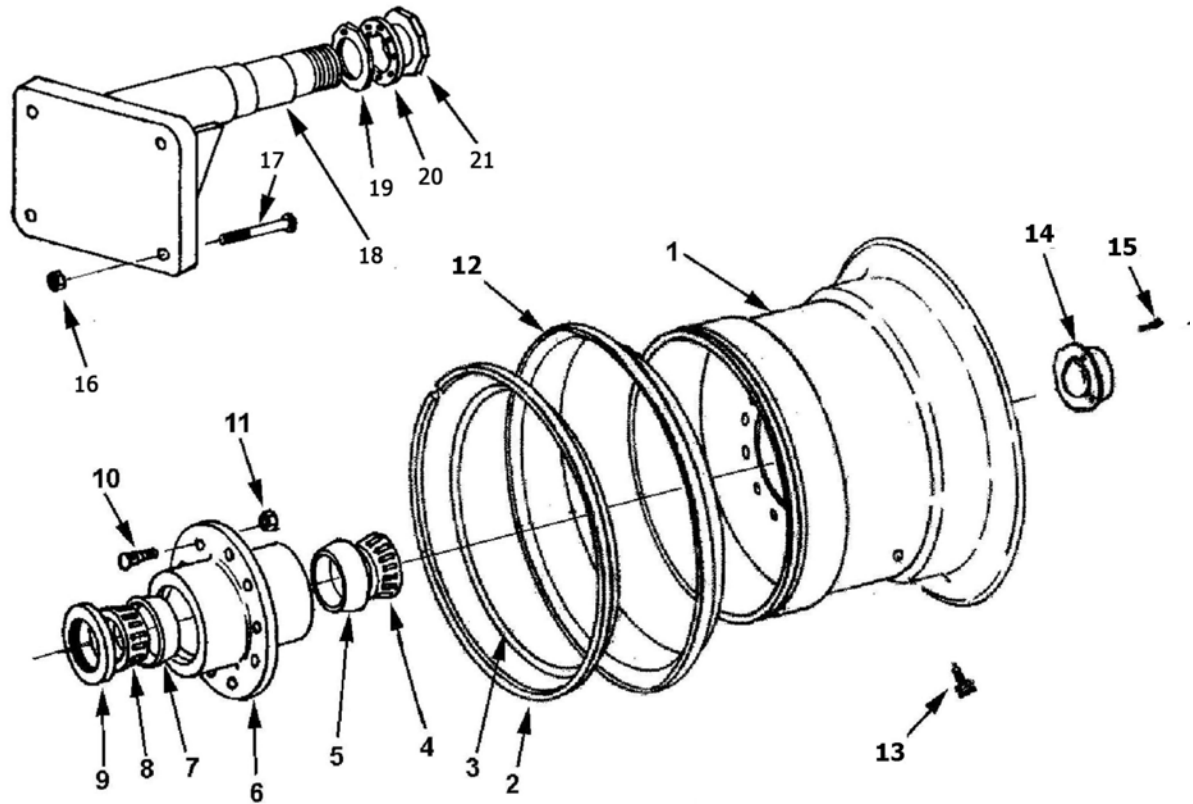
SXL300A110130R009

KEY	PART	DESCRIPTION
1	A14004	Hub cap
2	AFB-00080	Bolt, 5/16 NC x 1/2 lg.
3	A10039	Wheel, 16 x 26 Drop Center
4	A14015	Bearing cone ( Timken 644 )
5	A14014	Bearing cup ( Timken 632 )
6	A14010A	Hub, Blank, less cups + studs
7	A14013	Bearing cup ( Timken 742 )
8	A14012	Bearing cone ( Timken 749 )
9	A14011	Grease seal ( CR 42624 )
10	A10176	Stud
11	A10046	Lug nut
12	A10048	Spindle nut
13	A10049A	Lock collar
14	A10172	Nut w/ lock pin
15	A14037	Spindle
16	AFB-00017	Bolt: 1" NF X 6 1/2" L.
17	AFN-00001	Nut, 1" NF Toplock



# ASHLAND SCRAPERS

## Assembly - Wheel Rear (130X) Optional



SXL300A130R009-0

KEY	PART	DESCRIPTION
1	A14035	Wheel - 17" x 25"
2	A14038	Lock Ring
3	A14008	O-Ring
4	A14015	Bearing cone
5	A14014	Bearing Cup
6	A14010	Hub
7	A14013	Bearing Cup
8	A14012	Bearing Cone
9	A14011	Grease Seal
10	A10176	Stud
11	A10046	Lug Nut
12	A14036	Slide Ring
13	A14016	Valve Stem
14	A14004	Hub Cap
15	AFB-00080	Bolt, 5/16" NC X 1/2 L.
16	AFN-00001	"Nut, 1" NF Toplock"
17	AFB-00017	Bolt, 1" NF x 6-1/2" lg.
18	A14037	Spindle
19	A10172	Nut with lock pin
20	A10049A	Lock Collar





PHONE : 715-682-4622 Fax: 715-682-9717

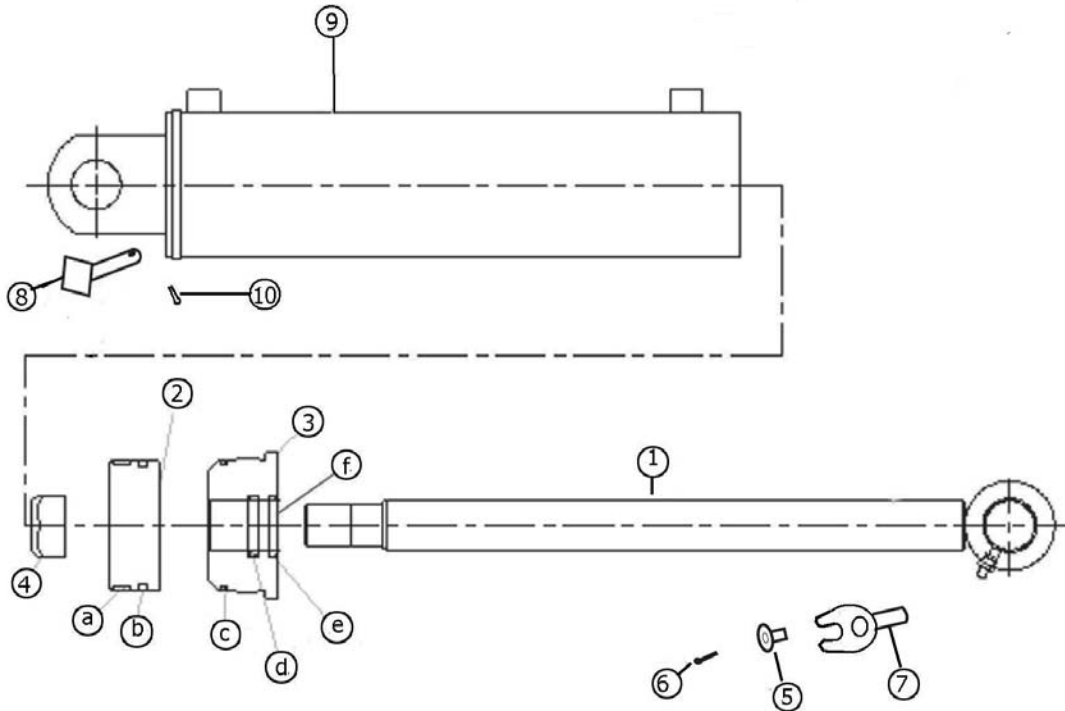
## ASHLAND SCRAPERS

### Assembly - Wheel Rear (130X) Optional

KEY	PART	DESCRIPTION
21	A10048	Spindle Nut

**ASHLAND SCRAPERS**

**Apron Cylinder (#A125050) 4" X 13"**

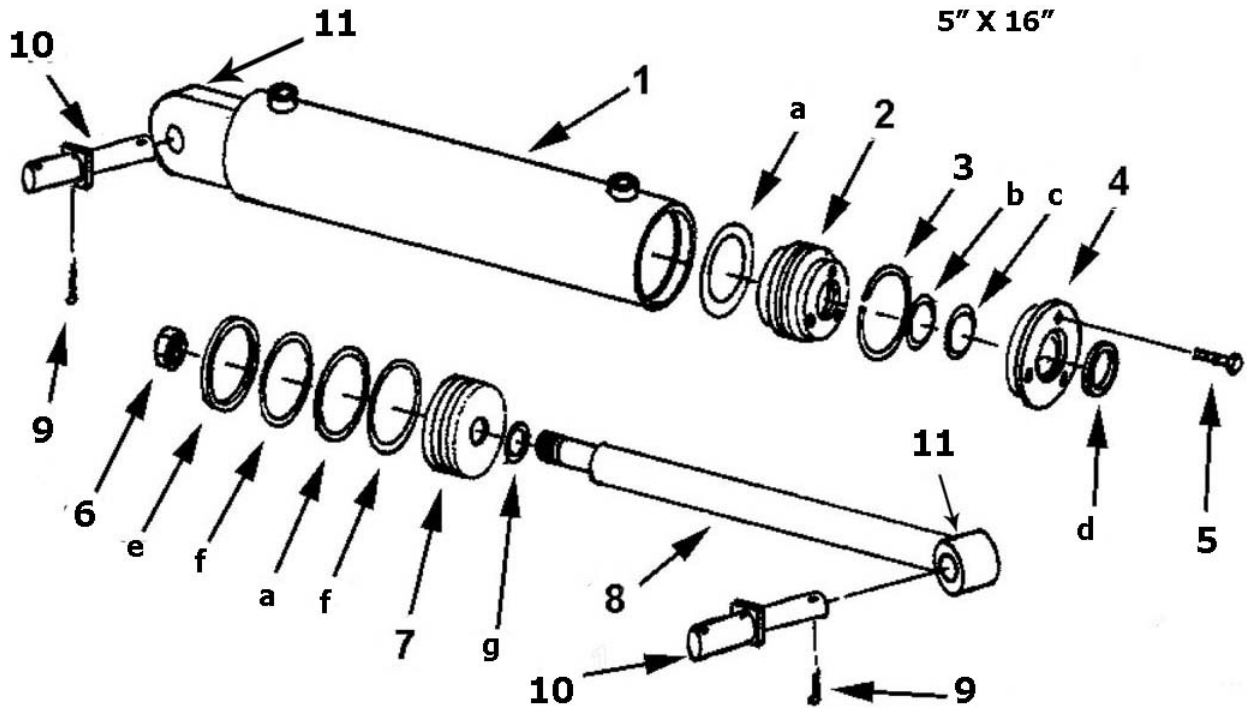


A350P004

KEY	PART	DESCRIPTION
	A125050	APRON CYLINDER 4" X 13"
1	A125050-01	Rod 1-3/4" with welded eye
2	A125050-02	Piston
3	A125050-03	Gland, Threaded
4	A125050-04	Lock Nut, 1-1/8" NF
5	A123351	Pin Keeper Bushing
6	AFB-00019	1/2" x 1 1/2" Gr 8 Bolt
7	A123362	Pin: Cyl. Rod End 1 1/2 X 4 1/2 w/ Tab
8	A123363	Pin: Cyl. Base End 1 1/2 X 4 1/8"
9	A125050-06	Cylinder Barrel
10	8602	Cotter Pin: 1/4 X 2
	A125050-05	Seal Kit Containing (a-f)
a		Nylon Wear Ring
b		FSP Seal
c		O-Ring
d		Backup Washer
e		Hallite Rod Seal
f		Snap in Rod Wiper

**ASHLAND SCRAPERS**

**Lift Cylinder (#A516H114) 5" X 16"**

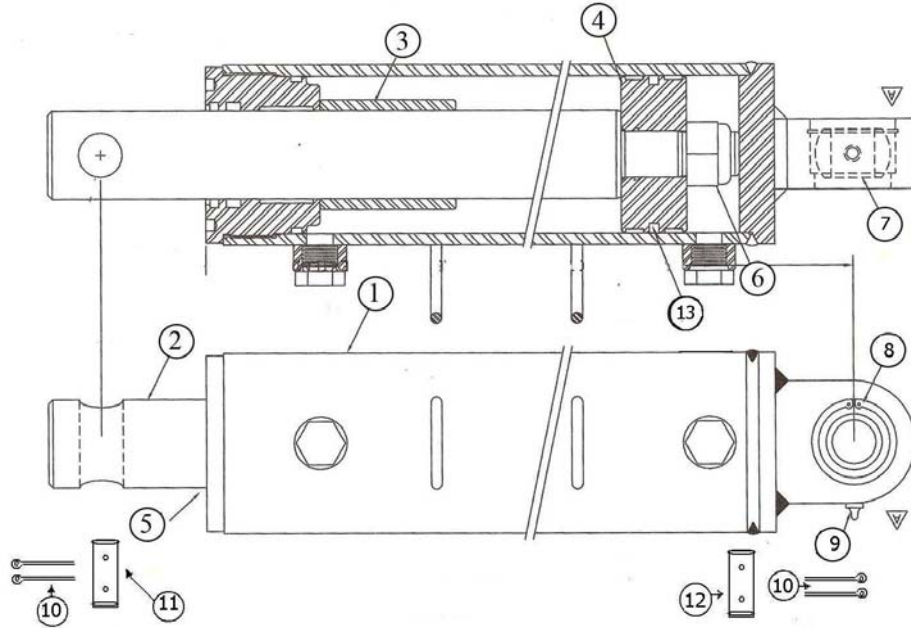


**A350P017**

KEY	PART	DESCRIPTION
	A516H114	LIFT CYLINDER 5" X 16"
1	A130H27	"Barrel Assembly, 5" ID"
2	A400H10	"Head gland, 5" OD"
3	A400H11	Retainer ring
4	A400H13	Head cap
5	22H18A	"Capscrew, 5/16" NC x 1"
6	A400H17	"Lock nut, 1-1/4" NF"
7	A400H07	"Piston, 5" OD"
8	A130H28	"Shaft, 2" dia."
9	8602	"Cotter pin, 1/4" x 2"
10	A123383	"Pin, 1-1/4" x 7"
11	14505	Grease Fitting
	A400H15C	Seal Kit containing:
a	A400H06	"O-ring, 5" OD x 1/4"
b	A400H12A	"Backup washer, 2" ID"
c	A400H12	"O-ring, 2" ID"
d	A400H14	Wiper seal
e	A400H04	"Cast iron ring, 5" OD"
f	A400H05	"Backup washer, 5" OD"
g	A60H52	"O-ring, 1-1/4" ID x 1/8"

# ASHLAND SCRAPERS

## Push Off Cylinder (#A125176) 4 1/2" X 54"

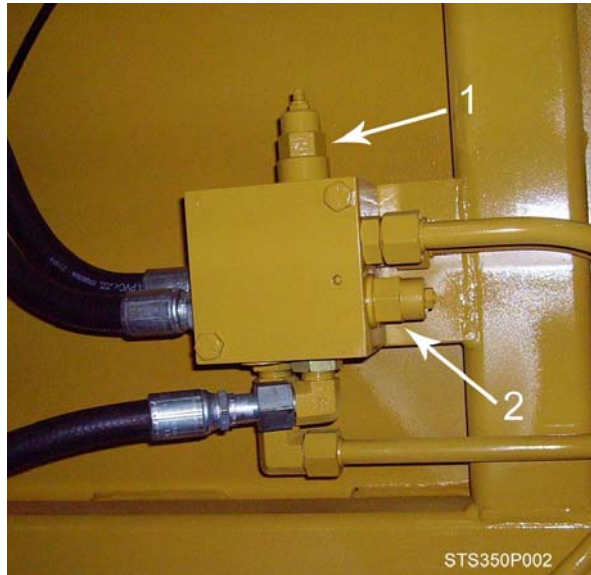


A350P016

KEY	PART	DESCRIPTION
	A125176	PUSH OFF CYLINDER
1	A125176-10	Barrel Weldment
2	A125176-20	Rod
3	A125176-32	Spacer Sleeve
4	A125176-30	Piston
5	A125176-31	Head
6	A125175-33	1 1/4" Nylock Nut
7	A125175-35	Bearing
8	A125175-36	Snap Ring
9	A125175-37	Grease Fitting
10	8602	1/4 X 2 Cotter Pin
11	A14033	Pin: Rod End
12	A9024	Pin: Barrel End
13	A125176-40	Seal Kit (Items a-f)
a		Piston Seal
b		Wear Ring
c		O-Ring
d		Wear Ring
e		Rod Seal
f		Wiper
g		O-Ring
h		Back-up Ring

## ASHLAND SCRAPERS

### Hydraulic Manifold (#A125174)



KEY	PART	DESCRIPTION
1	A125162-02	PUSHOFF SEQUENCE CARTRIDGE
2	A125162-01	COUNTER BALANCE CARTRIDGE

### SETTING THE APRON AND PUSHOFF VALVE

The manifold block containing the pushoff sequence valve cartridge and apron sequence valve cartridge is used to control two hydraulic circuits with one hydraulic remote. When the tractor hydraulic remote is activated, oil flows first to the apron cylinders until they are fully extended. Once the cylinders are fully extended, the apron circuits' hydraulic pressure begins to increase. Once the pressure threshold is surpassed (which is adjustable. See adjustment section), the sequence valve diverts the oil flow to the pushoff's hydraulic circuit. Once the push off is completely extended the operator then reverses the tractors hydraulic remote. The counterbalance valve will hold the apron open until the push off is fully retracted. The Apron sequence valve then opens and allows the apron to close.

#### Setting the valves:

##### STEP 1 PUSHOFF SEQUENCE VALVE

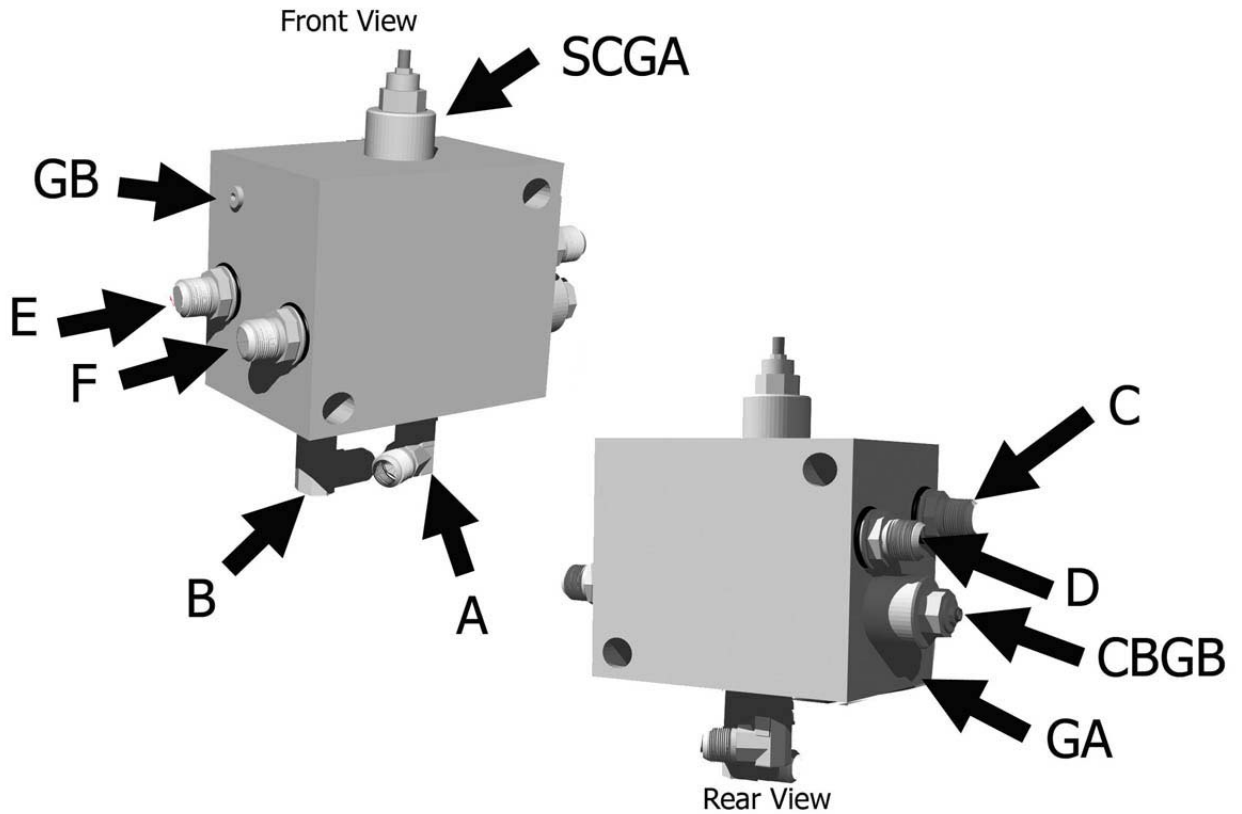
Loosen the lock nut (9/16") on the sequence valve cartridge. Turn the setscrew (4mm) clockwise until the front apron rises before the push-off begins to advance. (Earthmover should be empty) Turn the adjustment screw an additional 1/4 turn clockwise and tighten jam nut.

##### STEP 2 COUNTER BALANCE VALVE

Loosen the lock nut (9/16") on the counterbalance valve cartridge. Turn the setscrew (4mm) counter-clockwise until the apron holds in a raised position while rear gate is being retracted. Turn adjustment screw an additional 1/4 turn, tighten jam nut. DO NOT tighten adjusting screw more than necessary.

# ASHLAND SCRAPERS

## Hydraulic Valve Ports Assembly



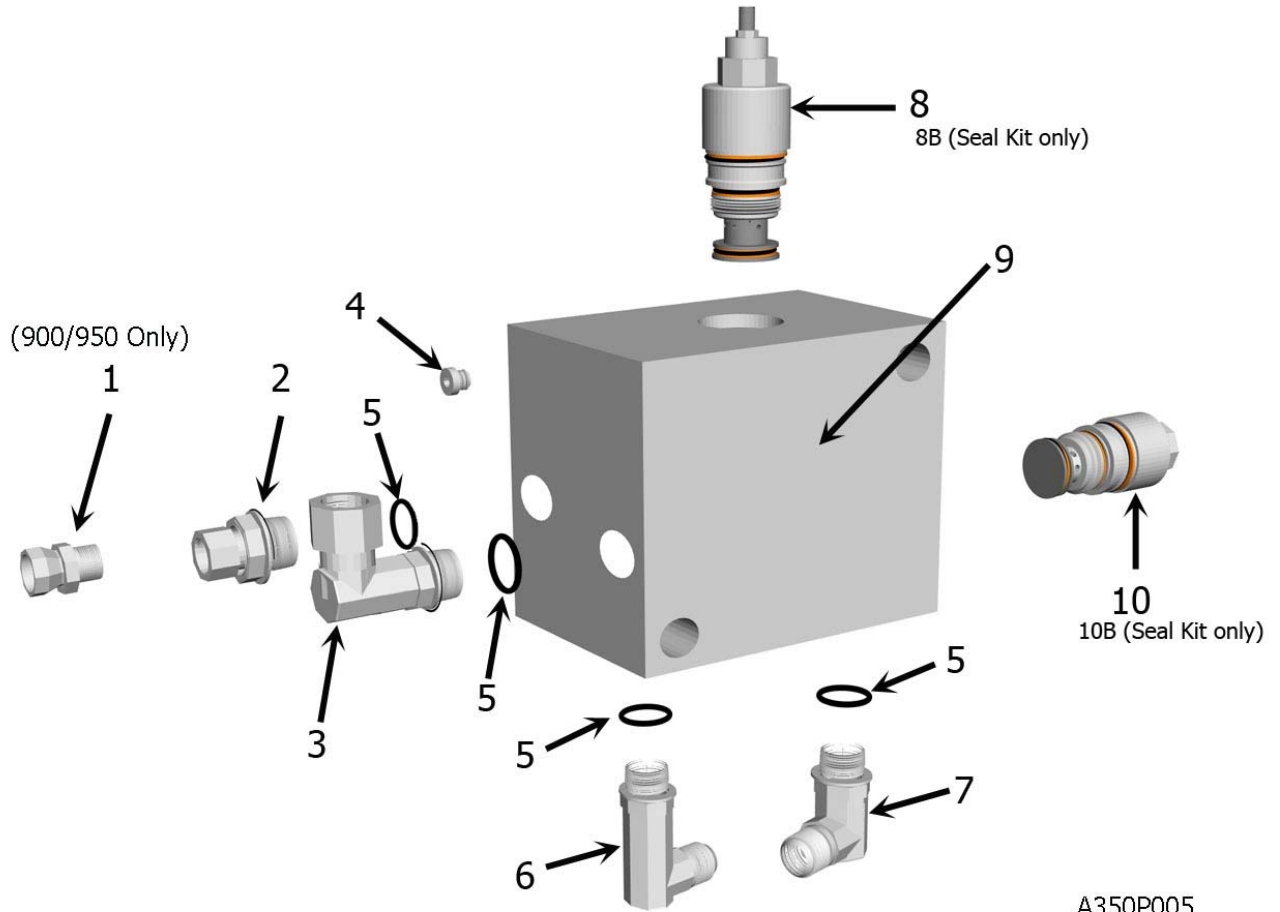
The lettering for the port locations are stamped on the block

A350P010

KEY	PART	DESCRIPTION
A		Supply Line
B		Pushoff Cyl. (Rod End)-Apron Cyl., Right side (Rod end)-Supply Line
C		Pushoff Cylinder, (Base End)
D		Apron Cylinder, Right side, (Base End)
E		Apron Cylinder, Left side, (Rod End)
F		Apron Cylinder, Left side, (Base End)
CBGB		Counterbalance Valve, adjustable
SCGA		Sequence Valve, adjustable
GA		Pressure test port
GB		Pressure test port

# ASHLAND SCRAPERS

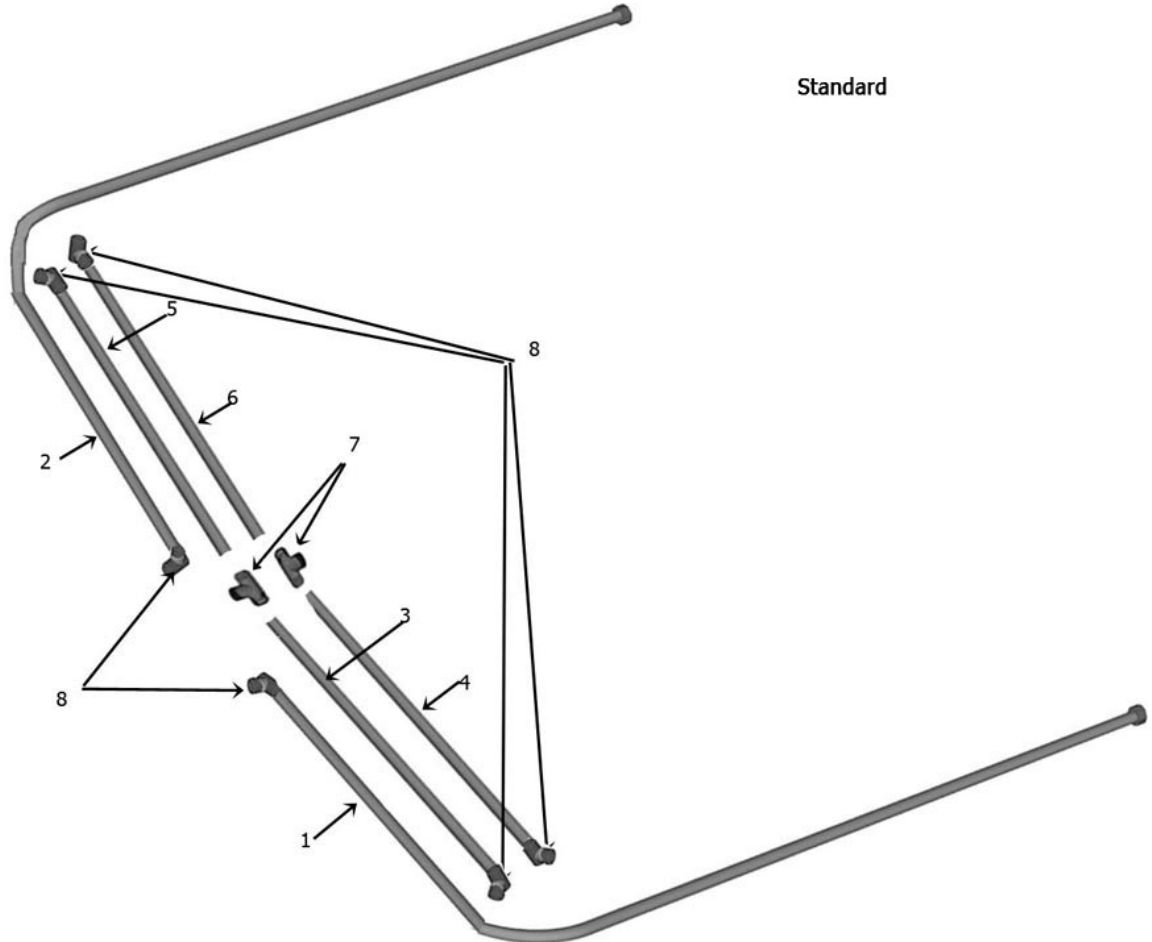
## Hydraulic Valve Seals



KEY	PART	DESCRIPTION
2	AHA-00043	Adapter: Str. Sw. 1 1/16 M ORB X 1/2 FP
3	AHA-00048	Adapter: 90 Deg. Swiv. 1 1/6 M ORB X 1/2 FP
4	AHA-00046	6 ORB Plug
5	AHS-00153	O-Ring for 12 M ORB Fitting
6	AHA-00047	Adapter: 90 Deg. XL 3/4 MJX 1 1/6 M ORB
7	AHA-00044	Adapter: 90 Deg. 3/4 MJ X 1 1/6 M ORB
8	A125162-02	Valve: Sequence Cartridge for Ver. III & IV
9	A125174	Valve: Manifold Block IV Body
10	A125162-01	Valve: Counterbalance Cartridge for Ver. III & IV
	A125162-01 KIT	Seal Kit for A125162-01 Valve Cartridge
	A125162-02 KIT	Seal Kit for A125162-02 Valve Cartridge

# ASHLAND SCRAPERS

## Hydraulic Plumbing Front (I-130XL2)



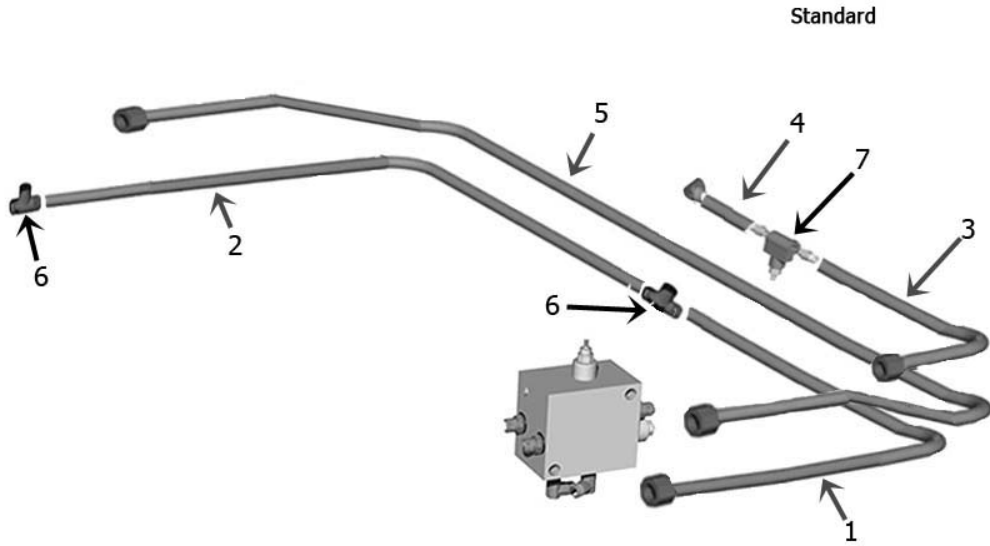
M130X400H003

KEY	PART	DESCRIPTION
1	A123398	Tubing, Gooseneck Arm, Left Side
2	A123397	Tubing, Gooseneck Arm, Right Side
3	A123399	Tubing, Front Section Straight
4	A123400	Tubing, Front Section, Straight
5	A123400	Tubing, Front Section, Straight
6	A123399	Tubing, Front Section, Straight
7	AHA-00022	Adapter
8	AHA-00019	Adapter: 90 Deg.



# ASHLAND SCRAPERS

## Hydraulic Plumbing Rear (I-130XL2)



M130X400H002

KEY	PART	DESCRIPTION
1	A123394	Tubing, Behind Bowl, Lower Left Side
2	A123392	Tubing, Behind Bowl, Right Side
3	A123393	Tubing, Upper Left Side, Around Bowl
4	A123405	Tubing, Bowl, Rear Center
5	A123391	Tubing, Behind Bowl, Wrap Around Right & Left Sides
6	AHA-00022	Adapter
7	AHV-00001	Valve: Pressure Relief



PHONE : 715-682-4622 Fax: 715-682-9717

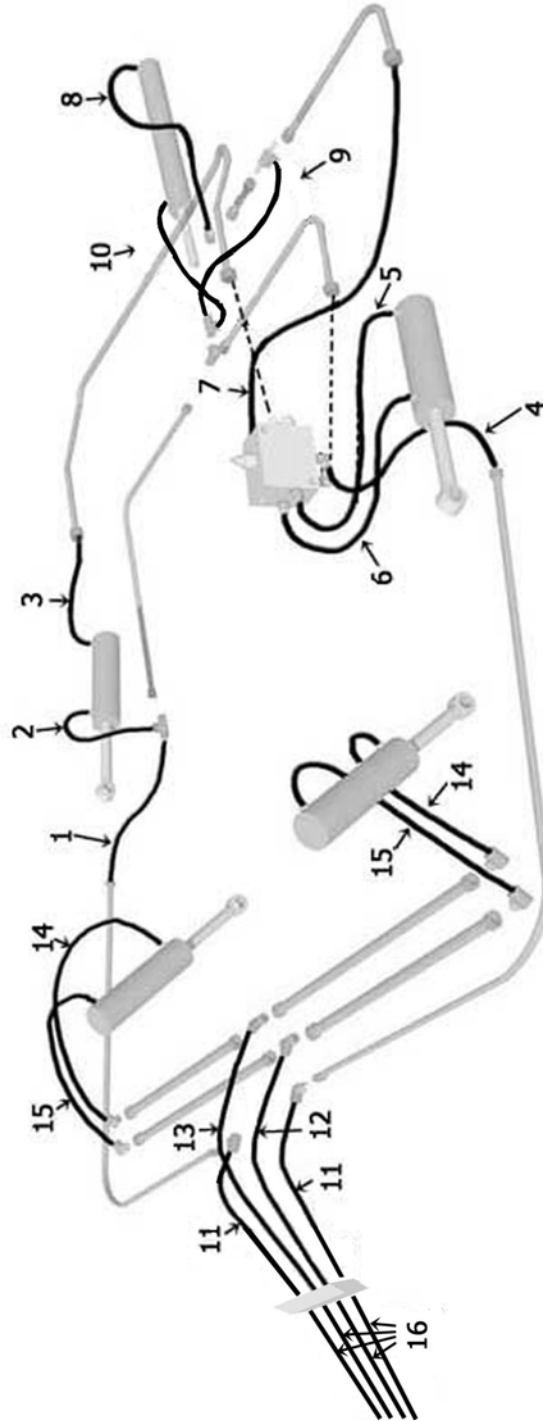
## ASHLAND SCRAPERS

### Hydraulic Hoses (I-130XL2)

KEY	PART	DESCRIPTION
1	A125274	Hose-R. Side Feed Line from "T" to Front Sect. - 65"
2	A125275	Hose-R. Side Apron Rod End to "T" - 50"
3	A125276	Hose-R. Side Apron Cyl. Barrel End to Inner Back Tube-25"
4	A125277	Hose-L. Side Feed Line "A" on valve to Front Sect. - 66"
5	A125278	Hose-L. Side Apron Cyl. Barrel End to "F" on Valve - 21"
6	A125279	Hose-L. Side Apron Rod End to "E" on Valve - 30"
7	A125280	Hose-L. Side From "C" on Valve to Top Outer Tubing - 17.5"
8	A125281	Hose-Rear Top Outer Line to Barrel End Pushoff - 71"
9	A125282	Hose-Rear "T" to Pressure Relief Valve
10	A125283	Hose-Rear from Rod End of PUsheff to "T" Fitting - 16"
11	A125284	Hose-Front Bottom Inside Tube to Bottom L & R Bulkhead - 21"
12	A125285	Hose-Front Top Outer Tube to Center Left Bulkhead - 19"
13	A125286	Hose-Front top Inside Tube to Center Right Bulkhead - 22"
14	A125287	Hose-Front Top R & L Tube to Barrel End Lift Cyld. -24"
15	A125288	Hose-Front Inside Top R & L Tube to Rod End Lift Cyld. -50"
16	A125289	Hose-Front Connecting Hook-up Hoses to Bulkhead - 138"

# ASHLAND SCRAPERS

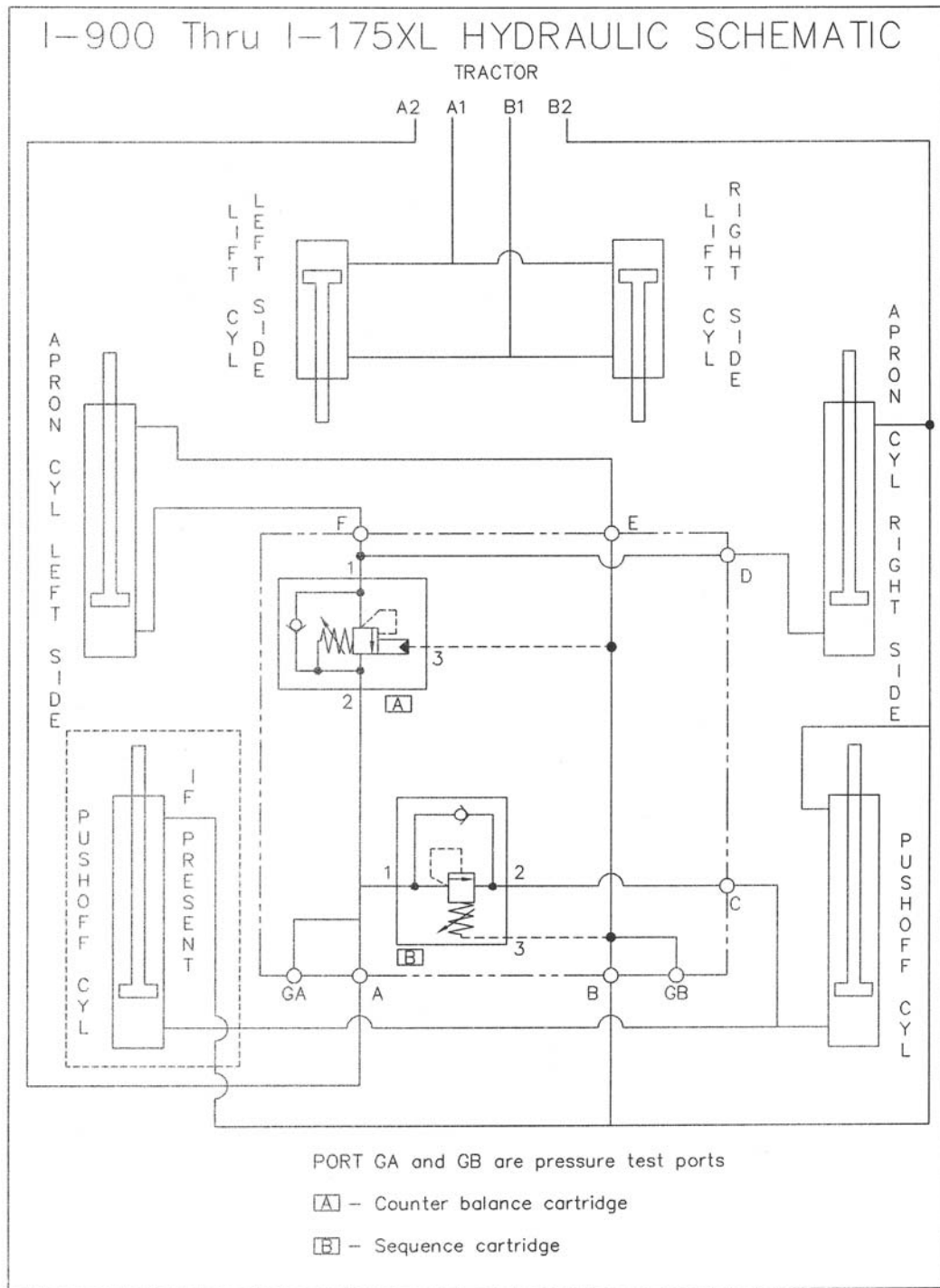
## Parts - Hydraulic Hoses (I-130XL2) Illustration



M130X400H005

**ASHLAND SCRAPERS**

**Hydraulic Schematic: I-130XL2**



A400H003



PHONE : 715-682-4622 Fax: 715-682-9717

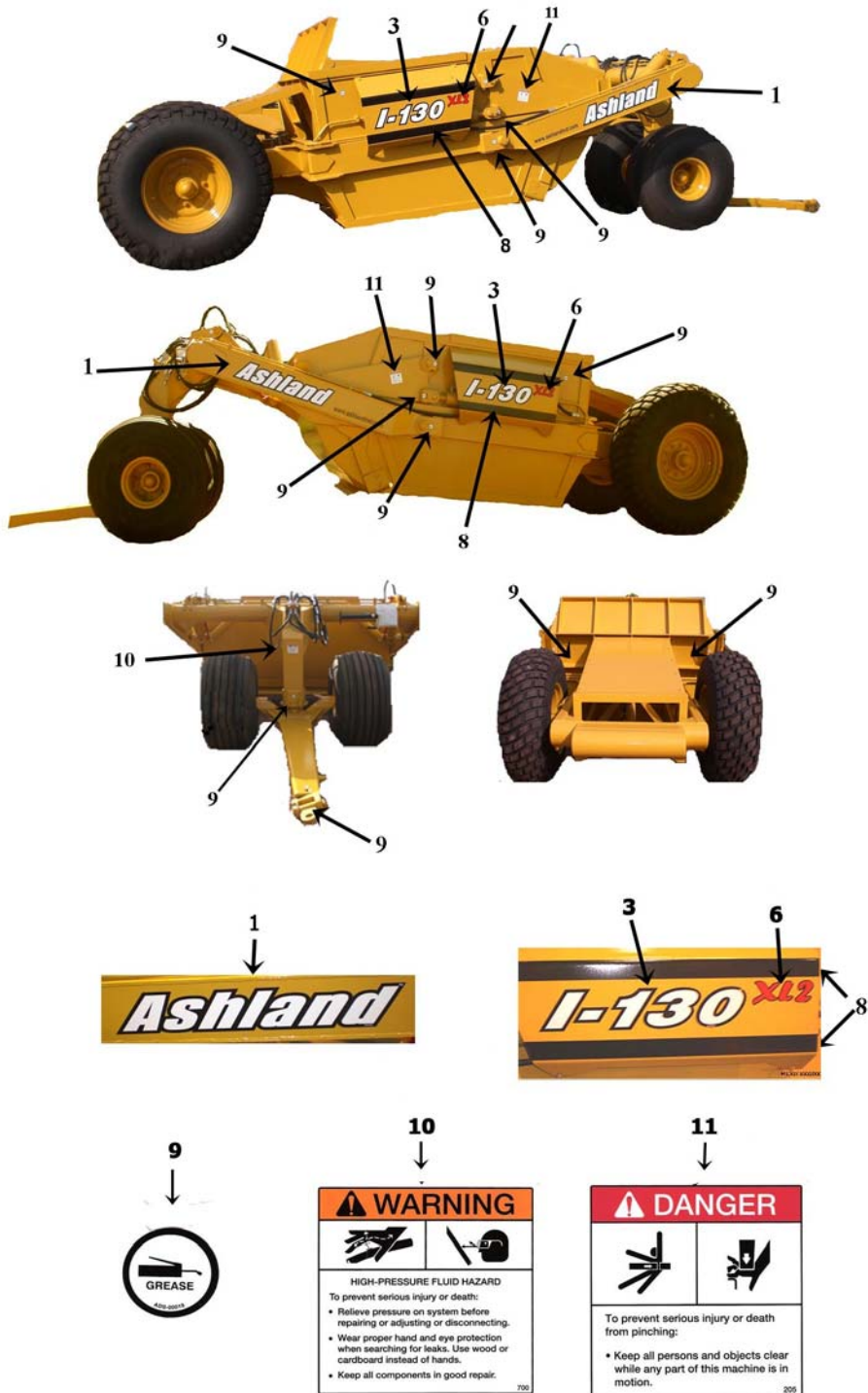
## ASHLAND SCRAPERS

### Decals

KEY	PART	DESCRIPTION
1	ADS-00001	Large Ashland
3	ADS-00007	I-130
6	ADS-00014	XL2
8	ADS-STRIPEKIT	Black Stripe Kit
9	ADS-00019	Grease
10	750464	High Pressure Fluid Hazard
11	ADS-00011	Pinch Point

# ASHLAND SCRAPERS

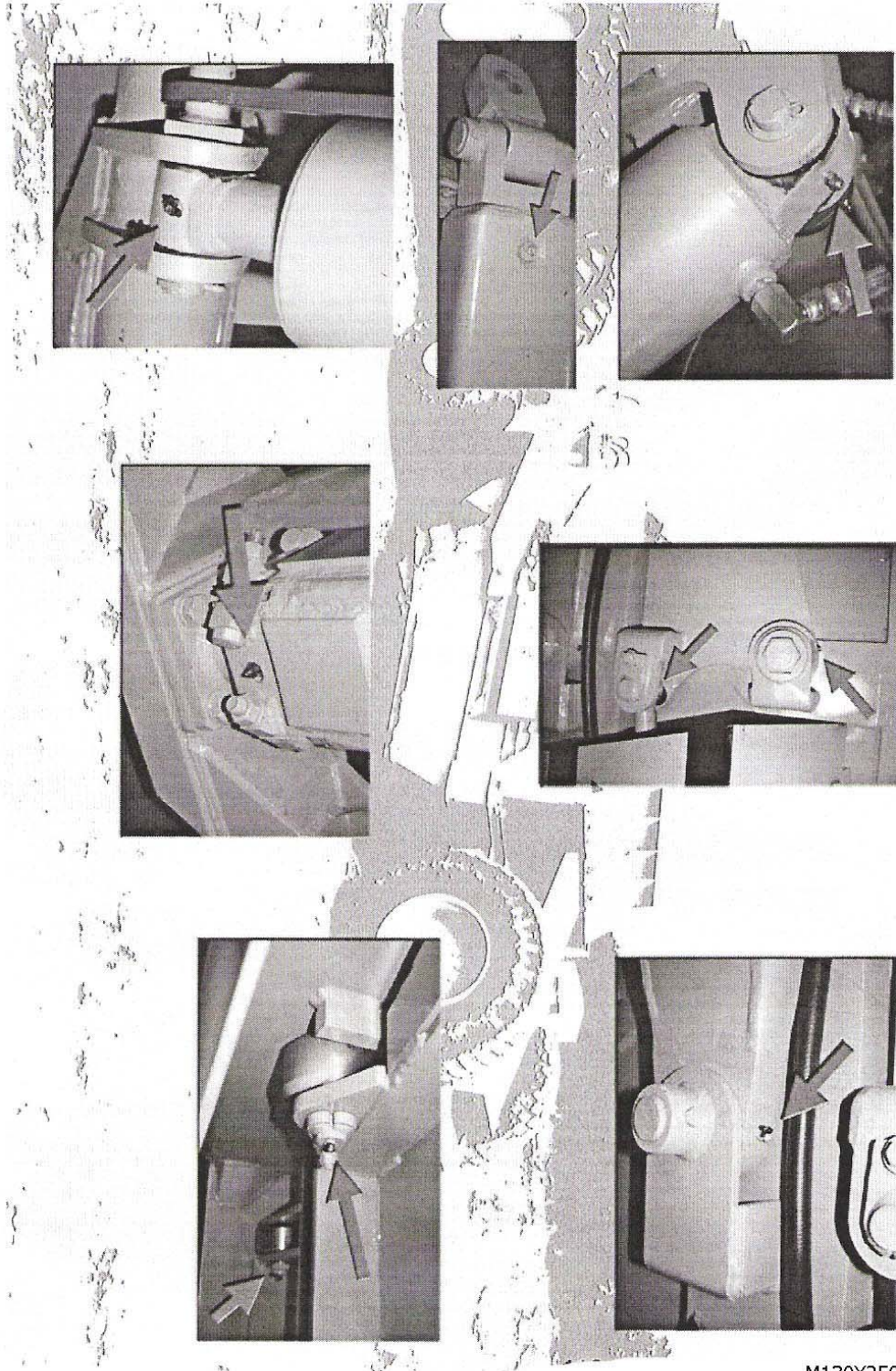
## Decals Illustration (I-130XL2)



M130X100SD004




**ASHLAND SCRAPERS**  
Grease Locations 130XL2



M130X250M004

## ASHLAND SCRAPERS

### Maintenance Check list

1. Grease all zerks.
  - a) Every 8 hours of operation.
  - b) See Lubrication Points section on next page.
  
2. Greasing the hubs.
  - a) Re-pack wheel bearings after 300 hrs of operation.
  - b) Completely clean grease out of hub and bearings every 1200 hours of operation.
  
3. Check tire pressure.
  - a) 20.5 - 25, 12-ply tire requires a tire pressure of 35-40 psi on a rear tire, 40-50 on a front tire. 
  
4. Check all pins for signs of wear.
  - a) Daily
  
5. Check wheel lug nut torque.
  - a) After first 2 hours of operation.
  - b) Recheck daily for next 2 weeks.
  - c) Tighten wheel lug nuts in a star pattern.
  - d) Torque wheel lug nuts to 120 to 130 ft-lbs.
  
6. Check and retighten all bolts.
  - a) After initial 10 hours of use.
  - b) Again after 50 hours of use.
  - c) See Torque Specifications on next page.
  
7. Inspect cutting edges.
  - a) Daily
  - b) Replace cutting edges when center blade has been worn to approximately 6" and side edges worn to approximately 4".



**CAUTION!** Failure to replace worn cutting edges may result in unnecessary wear to the earthmover sides and floor.

Note: Please specify left or right "L" shaped cutting edges when ordering replacements. Left or right side parts are determined by viewing from rear of the scraper.



## ASHLAND SCRAPERS

### Pushing the Earthmover



#### **PUSHING THE EARTHMOVER**

This scraper was designed to be pushed when equipped with the optional push-bar. However, Ashland Industries, Inc. **STRONGLY** recommends using extreme caution when pushing the earthmover to prevent any unnecessary damage.

**CAUTION!** The earthmover must be pushed in a straight line with a maximum of a 100 hp dozer. Do not ram or jar the earthmover while pushing and push at a constant speed.

## ASHLAND SCRAPERS

### Tire Service



**The task of servicing tires and wheels can be extremely dangerous and should be performed by trained personnel only, using the correct tools and following specific procedures. Do not attempt to mount, demount or inflate a tire if you do not have the proper equipment and experience to perform the job. Call a qualified repair service to inspect the assembly and make necessary repairs. Failure to heed warnings could lead to serious injury or death.**

Visually inspect tires and wheels daily. Carefully inspect any rim and tire assembly that has been run underinflated or flat before reinflating the tire to make sure there is no damage to either the rim or tire.

- ALWAYS wear personal protection equipment such as gloves, footwear, eye protection, hearing protection and head gear when servicing tire and wheel components.
- DO NOT operate with damaged rims, tire cuts or bubbles, missing lug bolts or nuts or damaged rims.
- ALWAYS maintain the correct tire pressure. NEVER exceed recommended tire inflation pressure.
- INSPECT any rim and tire assembly that has been run flat or severely underinflated before reinflating the tire. Damage to the rim and tire may have developed.
- NEVER inflate a tire that has lost air pressure or has been run flat without determining and correcting the problem.
- NEVER try to repair wheel, rim, or tire components parts. Parts that are cracked, worn, pitted with corrosion, or damaged must be discarded, and replaced with good parts.
- ALWAYS use approved tire and rim combinations for the model scraper that you have and verify that part numbers of components are correctly matched for the assembly.
- ALWAYS exhaust all air from the tire prior to demounting.
- ALWAYS place wheel and tire assemblies in restraining devices (safety cage) when inflating tires. Use a clip-on chuck and long extension hose to allow you to stand to the side of the tire and not in front of it.
- NEVER weld or cut on an inflated tire assembly. Welding heat can cause increased pressure which could result in tire explosion.
- ALWAYS use proper lifting techniques, and mechanized lifting aids to move heavy components and assemblies.
- NEVER leave a tire, wheel, or assembly unsecured in a vertical position.
- ALWAYS take care when moving tires and wheels that other people in the area are not endangered.

# ASHLAND SCRAPERS

## Torque Specifications

### TORQUE SPECIFICATIONS

---

<i>Bolt</i>	<i>Torque</i>		
<i>Diameter</i>	<i>Ft-lbs</i>		
<i>1/4</i>	<i>12</i>		
<i>5/16"</i>	<i>25</i>		
<i>3/8"</i>	<i>45</i>		
<i>7/16"</i>	<i>70</i>		
<i>1/2"</i>	<i>110</i>		
<i>9/16"</i>	<i>150</i>		
<i>5/8"</i>	<i>220</i>		
<i>3/4"</i>	<i>380</i>		
<i>7/8"</i>	<i>600</i>		
<i>1"</i>	<i>900</i>		
<i>1-1/8"</i>	<i>1280</i>		
<i>Lug Nuts</i>	<i>85-100 /9 yd</i>	<i>450- 11/13 yd</i>	<i>750-15 yd &amp; up</i>

### LUBRICATION

---

1. Grease all zerks every 8 hrs of operation with high quality, general-purpose grease.
  - a) Grease until grease flows from around pin.

#### Lubrication Points (see III.)

1. Hitch – Horizontal and vertical pins.
2. Lift Cylinders – Rod end & Trunion; Both left & right sides.
3. Front Arm Pivot Joint – Both left & right sides.
4. Apron Cylinders – Rod clevis pin; Both left & right sides.
5. Apron Pivot Pin – Both left & right sides.
6. Hold-down Rollers – Both left & right sides.
7. Floor Rollers – Both left & right sides.
8. Tapered Rollers – Both left & right sides.

## ASHLAND SCRAPERS

### Troubleshooting

---

#### Introduction

With proper care and maintenance, your Ashland Scraper will give many years of reliable service. When a situation arises where the earthmover performance is not satisfactory, this section will give some pointers on finding and correcting the problem.

---

#### Grease zerk will not take grease.

---

1. Grease zerk plugged.
    - a) Remove and replace grease zerk.
  2. Pin is frozen.
    - a) Remove, clean, and inspect pin.
    - b) Replace pin if necessary.
  3. Bushing grease passage is not aligned with grease zerk.
    - a) Remove, clean, inspect, and realign bushing.
    - b) Replace bushing if necessary and realign.
- 

#### Push-off rollers do not roll.

---

1. The rollers need lubrication.
    - a) Check zerk hole and grease.
    - b) Remove pin, clean, inspect, and replace if necessary.
  2. The roller bushing is worn out.
    - a) Remove roller assembly and replace bushing.
    - b) See parts manual.
- 

#### Cylinders will not hold in preset position, i.e. the cylinder creeps.

---

1. Seals leaking internally.
    - a) Remove and replace seal kit.
- 

#### Machine cuts unevenly.

---

1. Cutting edges worn unevenly.
    - a) Replace cutting edges.
  2. Improperly inflated tires.
    - a) Check air pressure in tires.
-



## ASHLAND SCRAPERS

### Warranty Statement

#### Limited Warranty Statement

Ashland Industries Inc. warrants each new product to be free from defects in material and workmanship. This warranty is applicable only for the normal service life expectancy of the product or components, not to exceed **six consecutive months** from the date of delivery of the new Ashland Industries product to the purchaser, or the date the product is first put into service via a rental agreement or other means, whichever occurs first.

The major components of swivel hitches used on Industrial series scrapers are warranted for three consecutive months from the date of delivery of the new Ashland Industries product to the purchaser, or the date the product is first put into service via a rental agreement or other means, whichever occurs first, except those components described below.

Genuine Ashland Industries Inc. replacement parts and components will be warranted for 30 days from date of purchase, or the remainder of the original equipment warranty period, whichever is longer.

Under no circumstances will it cover any merchandise or components thereof, which in the opinion of the company, has been subjected to misuse, unauthorized modification, alterations, an accident or if repairs have been made with parts other than those obtained through Ashland Industries Inc.

Ashland Industries Inc. in no way warrants Tires since their respective manufacturer warrants these items separately. Please call Ashland Industries Inc. to receive phone numbers of tire suppliers.

Ashland Industries Inc. in no way warrants wearable items such as cutting edges, front dolly wheel balls, socket halves, rollers, bushings, yoke hitch pins, hitch bushings, etc..

Our obligation under this warranty shall be limited to repairing or replacing, free of charge to the original purchaser, any part that, in our judgment, shall show evidence of such defect, provided further that such part shall be returned within 30 days from the date of failure to Ashland Industries Inc. routed through the dealer and distributor from whom the purchase was made, transportation charges prepaid. Upon warranty approval proper credits will be reimbursed for transportation.

This warranty shall not be interpreted to render Ashland Industries Inc. liable for injury or damages of any kind or nature to person or property. This warranty does not extend to the loss revenue, extra labor cost associated with downtime, substitute machinery, rental or for any other reason.

Except as set forth above, Ashland Industries Inc. shall have no obligation or liability of any kind on account of any of its equipment and shall not be liable for special or consequential damages. Ashland Industries Inc. make no other warranty, expressed or implied, and, specifically, Ashland Industries Inc. disclaims any implied warrant or merchantability or fitness for a particular purpose. Some states or provinces do not permit limitations or exclusions of implied warranties or incidental or consequential damages, so the limitations or exclusion in this warranty may not apply.

This warranty is subject to any existing conditions of supply which may direct affect our ability to obtain materials or manufacture replacement parts.

Ashland Industries Inc. reserves the right to make improvements in design or changes in specifications at any time, without incurring any obligation to owners of units previously sold.

No one is authorized to alter, Modify or enlarge this warranty nor the exclusion, limitations and reservations.

Ashland Industries Inc.  
Warranty Department

# Table of Contents

## Categorized Listing

<b>ASHLAND SCRAPERS</b>	<b>1</b>
Serial Number	1
How to Order Parts	2
Operators and Maintenance	3
Safety Guidelines	4
XL Assembly	5
Gooseneck Frame Assembly (130)	6
Apron Assembly (130-1020)	7
Bowl & Frame Assembly (110-130-860-1020)	8
Assembly - Push Off (110-130)	10
Pole & Axle Assembly (130)	12
Assembly - Wheel Front (130)	13
Rear Wheel Assembly (110X-130X)	14
Assembly - Wheel Rear (130X) Optional	15
Apron Cylinder (#A125050) 4" X 13"	17
Lift Cylinder (#A516H114) 5" X 16"	18
Push Off Cylinder (#A125176) 4 1/2" X 54"	19
Hydraulic Manifold (#A125174)	20
Hydraulic Valve Ports Assembly	21
Hydraulic Valve Seals	22
Hydraulic Plumbing Front (I-130XL2)	23
Hydraulic Plumbing Rear (I-130XL2)	24
Hydraulic Hoses (I-130XL2)	25
Parts - Hydraulic Hoses (I-130XL2) Illustration	26
Hydraulic Schematic: I-130XL2	27
Decals	28
Decals Illustration (I-130XL2)	29
Grease Locations 130XL2	30
Maintenance Check list	31
Pushing the Earthmover	32
Tire Service	33
Torque Specifications	34
Troubleshooting	35
Warranty Statement	36

---



# Table of Contents

## Alphabetized Listing

<b>A</b>	
Apron Assembly (130-1020)	7
Apron Cylinder (#A125050) 4" X 13"	17
ASHLAND SCRAPERS	1-36
Assembly - Push Off (110-130)	10
Assembly - Wheel Front (130)	13
Assembly - Wheel Rear (130X)	15
<b>B</b>	
Bowl & Frame Assembly	8
<b>D</b>	
Decals	28
Decals Illustration (I-130XL2)	29
<b>G</b>	
Gooseneck Frame Assembly (130)	6
Grease Locations 130XL2	30
<b>H</b>	
How to Order Parts	2
Hydraulic Hoses (I-130XL2)	25
Hydraulic Manifold (#A125174)	20
Hydraulic Plumbing Front (I-130XL2)	23
Hydraulic Plumbing Rear (I-130XL2)	24
Hydraulic Schematic: I-130XL2	27
Hydraulic Valve Ports Assembly	21
Hydraulic Valve Seals	22
<b>L</b>	
Lift Cylinder (#A516H114) 5" X 16"	18
<b>M</b>	
Maintenance Check list	31
<b>O</b>	
Operators and Maintenance	3
<b>P</b>	
Parts - Hydraulic Hoses (I-130XL2)	26
Pole & Axle Assembly (130)	12
Push Off Cylinder (#A125176) 4	19
Pushing the Earthmover	32
<b>R</b>	
Rear Wheel Assembly (110X-130X)	14
<b>S</b>	
Safety Guidelines	4
Serial Number	1
<b>T</b>	
Tire Service	33
Torque Specifications	34
Troubleshooting	35
<b>W</b>	
Warranty Statement	36
<b>X</b>	
XL Assembly	5