

MODEL 25 SCRAPER

HOW TO ORDER PARTS

Be sure to state MODEL and SERIAL NO. of machine, PARTS NO., DESCRIPTION, and QUANTITY wanted.

Unless this is done, we cannot give you prompt service or send the correct parts.

INDEX

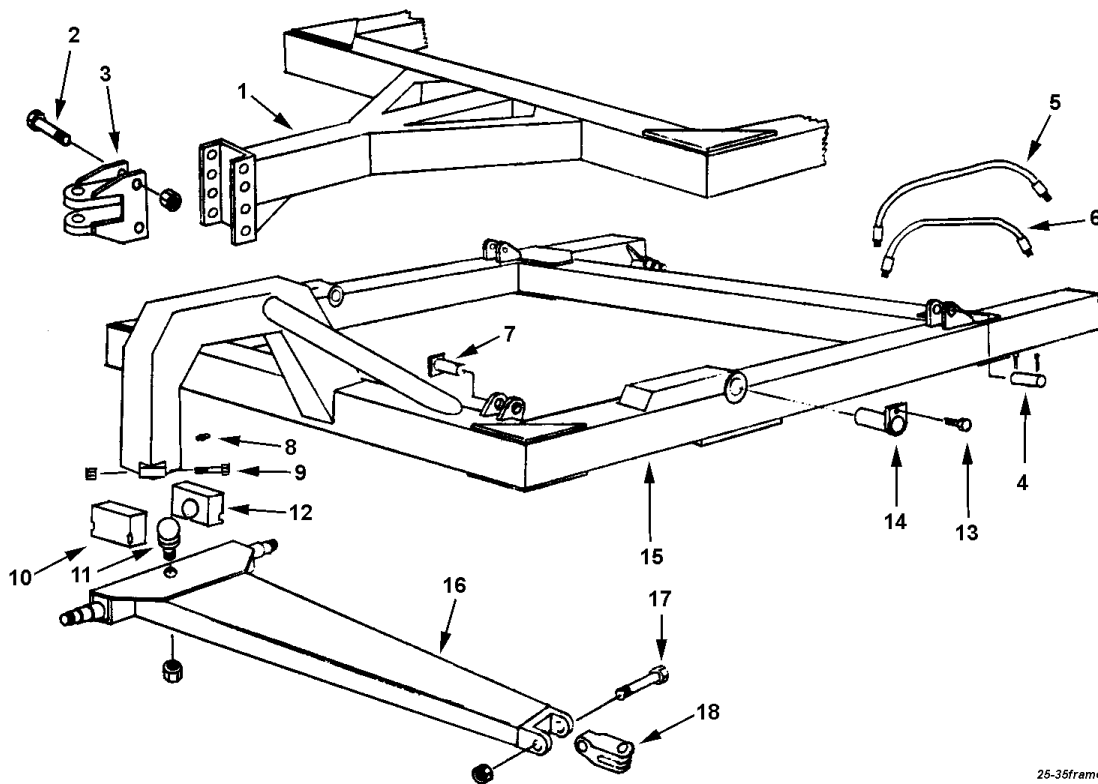
PAGE NO.

1. Assembly Instructions
2. Frame, Pole, and Axle Assembly
3. Bucket & Apron Assembly
4. Actuating Assembly
5. Wheel, Hub and Spindle
6. Hydraulic Cylinder 3 ½" x 16"
7. PMC-5500D Series
8. Hydraulic Cylinder (Opt. Hi-Press) 2 ½" x 16"

ASSEMBLY INSTRUCTIONS FOR MODEL 25 SCRAPER

1. A suitable hoist or lift should be available for assembly.
2. Pack wheel bearings with grease and install hubs to axle spindles. Also install wheels to front axle on 25D model.
3. Raise rear of frame and install wheels to hubs. Also install wheels to front axle on 25D model.
4. 25D: Raise front of frame and roll axle assembly directly under the gooseneck. Place the socket halves around the ball swivel on axle so that the half with the zerk hole is to the rear. Lower the frame into place so that the socket halves seat into the gooseneck. (If necessary, clamp halves together with C-clamp while lowering into place.) Secure in place with 5/8" x 4" bolts through gooseneck and cast sockets. Install long shank grease fitting into hole in back side of gooseneck.
5. Attach actuating frame to rear holes of the bucket using two 1 1/4" x 2-7/8" pins. Install pins with washer and cotter pin on the inside of the bucket.
6. Install actuating bars into the front holes in the bucket. In doing so, be sure that the cast roller on the opposite end of the actuating arm is in the up position and facing inward. Insert 1 1/4" x 2-7/16" pin (with tab type head) from the inside of the bucket. Secure with 5/8" x 1 1/4" bolt through the bucket side with the lock nut to the outside.
7. Connect a short chain from the cutting edge to the cross pipe of the actuating frame, then raise the bucket and actuating frame assembly over the main frame and lower until the front actuating bars can be connected to the double ear brackets on the front cross member of the frame. Secure with 1 1/4" x 2 3/4" pins and cotter pins.
8. Continue to lower the bucket and actuating assembly in place so that the front holes on the actuating frame aligns with the 1 1/2" hole in the bearing on each side of the main frame. Secure with 1 1/2" x 5-5/8" pins on each side. Lock the pins in place by turning the pin until the hole in the straps aligns with the threaded hole in the actuating frame, then secure with 1/2" x 1" capscrews and lock washer.
9. Install hydraulic cylinders to main frame and actuating frame with rod end to actuating frame. Be sure that the grease fittings in the rod cross tube are facing downward.
10. Connect a 3/8" hose to the rear port of each cylinder and to the pipe line on the rear cross frame. Be sure both hoses from the rear ports are connected to the same pipe line.
11. Install a 3/8" 90° swivel adapter into the front port of each cylinder.
12. Connect the two 3/8" x 33" hoses from the swivel adapter on the front of each cylinder to the remaining pipe on the rear cross frame.
13. Raise the front apron over the bucket and lower into position so that the holes in the arms on the apron align with the holes in the bucket. Secure with the 1 1/4" to 1" threaded shoulder pin. The threaded end goes inside the bucket. Install lock nut, tighten securely.

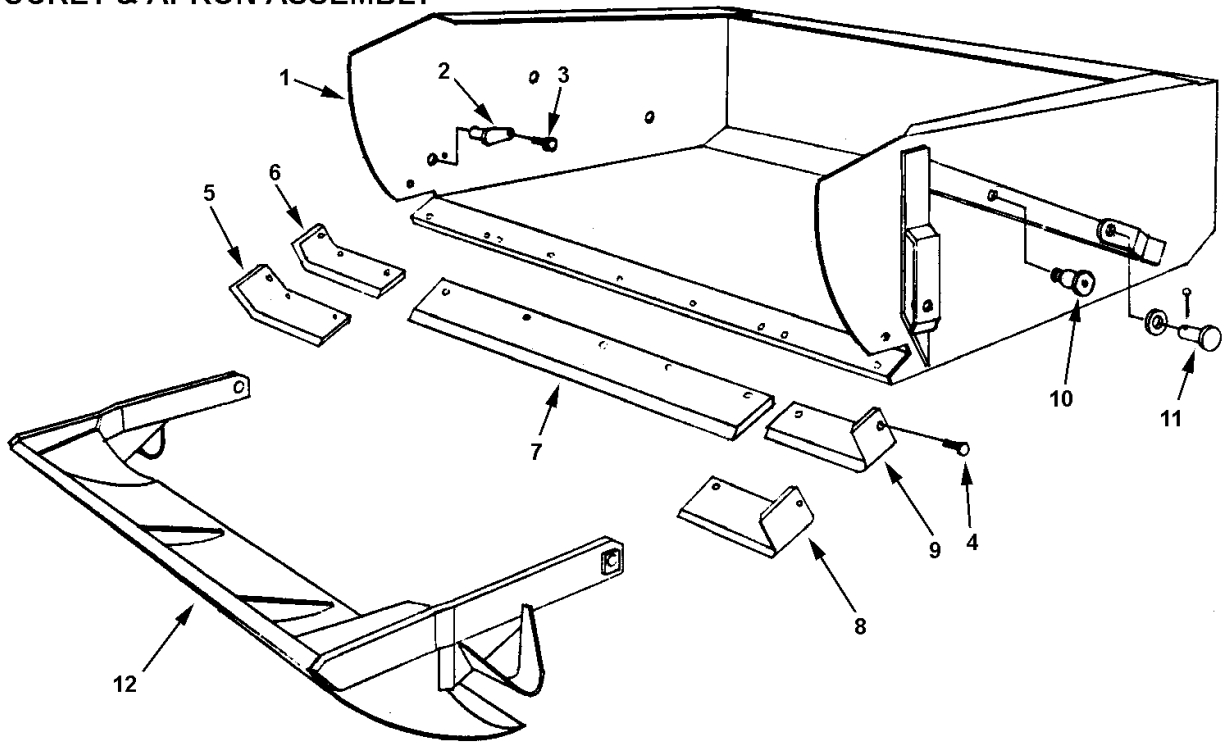
FRAME, POLE AND AXLE ASSEMBLY



25-35frame

KEY NO.	PART NO.	DESCRIPTION
1	A2501	Frame, two wheel model
2		Bolt, 5/8" x 6" w/ nut & lock washer
3	A3304	Hitch
4	A2508	Pin, 1" x 3 -1/4", cotter both ends
5	A22H02	Hydraulic hose, 3/8" x 33"
6	A22H01	Hydraulic hose, 3/8" x 24"
	A22H03	Swivel Adapter, 3/8", 90°
	A22H04	Swivel Adapter, 3/8", straight
7	A3310	Pin, 1-1/4" x 2-7/8"
8	A2206	Zerk, 1/8" NPT (straight long shank)
9		Bolt, 5/8" x 4" w/ nut & lock washer
10	A30004	Cast socket half, front
11	A2203A	Ball swivel
		Nut, 1-1/4" NF
12	A30005	Cast socket half, rear w/ zerk hole
13		Capscrew, 1/2" x 1" NC
14	A2502	Pin, 1-1/2" x 5-5/8"
15	A2503A	Frame, four wheel model
16	A2202A	Pole and axle assembly
17		Bolt, 1" x 6" NF w/ lock nut
18	A2207	Swivel hitch
***	A022977-2	Hitch, Tractor 3 point, Category 2
***	A022977-3	Hitch, Tractor 3 point, Category 3

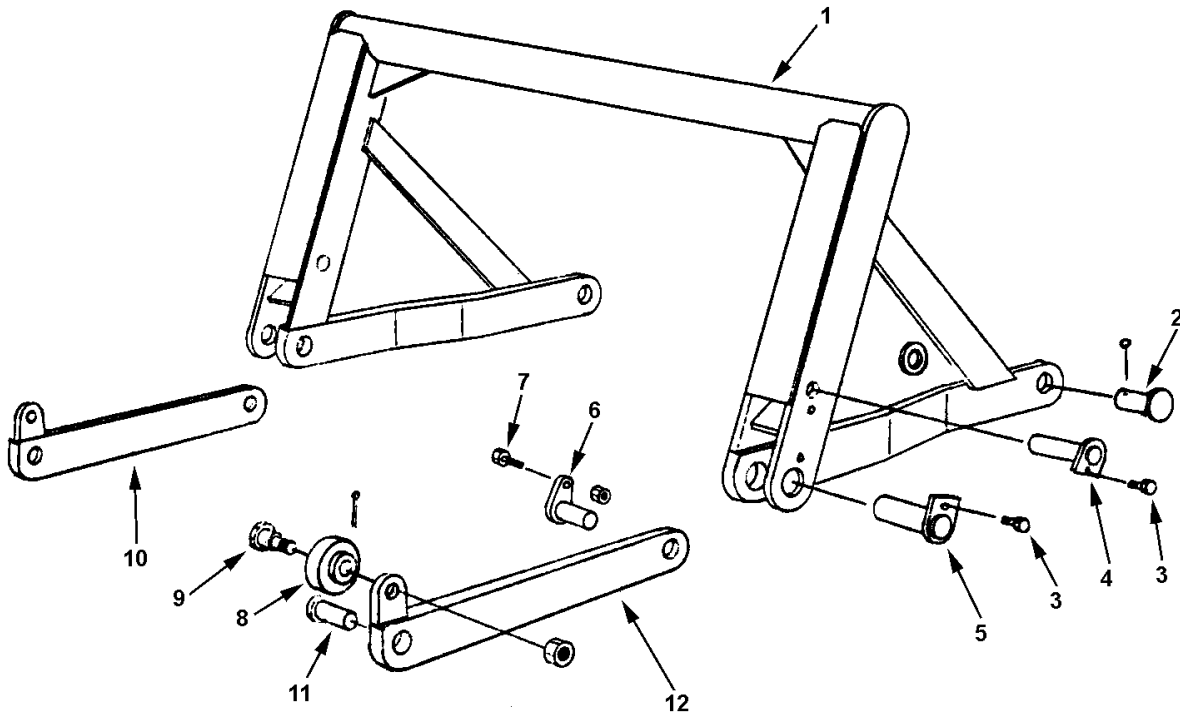
BUCKET & APRON ASSEMBLY



25-apron

KEY NO.	PART NO.	DESCRIPTION
1	A2504	Bucket
2	A4505	Pin, 1-1/4" x 2-3/8" w/ locking head
3		Bolt, 1/2" x 1" NC w/ nut & lock washer
4		Plow bolts, 1/2" x 1-1/4" w/ nut (2 req'd/Blade)
		Plow bolt, 1/2" x 1-3/4" w/ nut (9 req'd)
5	A2225	Right cutting edge, 6" (optional)
6	A2224	Right cutting edge, 4"
7	A30021	Center cutting edge, 6"
8	A2222	Left cutting edge, 6" (optional)
9	A2221	Left cutting edge, 4"
10	A30020	Shoulder pin, 1-1/4" to 1" NF w/ ctsk hole in head
		Nut, 1" NF nylon insert lock type
11	A3310	Pin, 1-1/4" x 2-7/8"
		Narrow rim washer, 1-1/4" ID
		Cotter pin, 1/4" x 2"
12	A3317	Apron

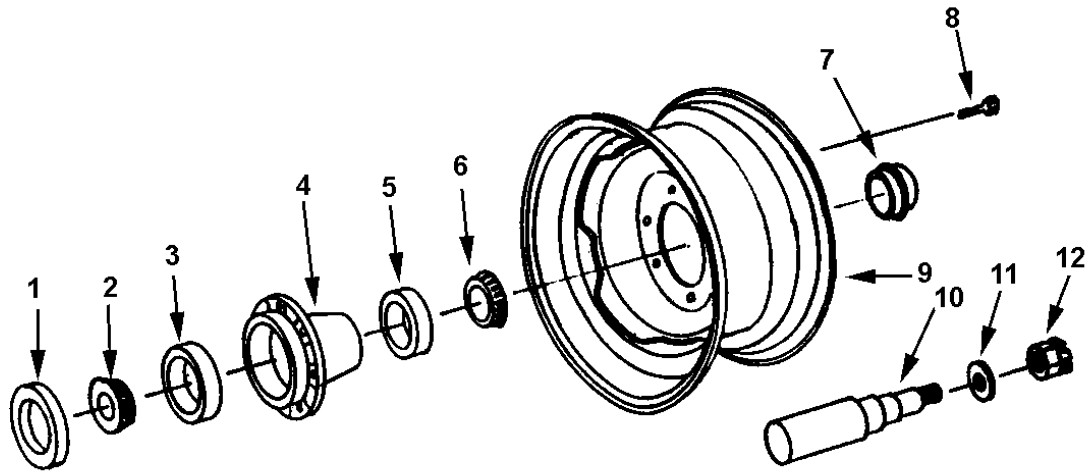
ACTUATING ASSEMBLY



25-act-frame

KEY NO.	PART NO.	DESCRIPTION
1	A2506	Actuating frame
2	A3310	Pin, 1-1/4" x 2-7/8". cotter one end
		Narrow rim washer, 1-1/4" ID
		Cotter pin, 1/4" x 2"
3		Capscrew, 1/2" x 1" NC
		Lockwasher, 1/2"
4	A3318	Pin, 1" x 5-5/8", tab head
5	A2502	Pin, 1-1/2" x 5-5/8"
6	A4505	Pin, 1-1/4" x 2-3/8" w/ locking head
7		Bolt, 1/2" x 1" NC w/ nut & lockwasher
8	A30002	Roller
9	A30003	Shoulder pin, 2-1/2" shoulder length
		Nut, 1" NF nylon insert lock type
10	A3312	Actuating arm, right
11	A3310	Pin, 1-1/4" x 2-7/8"
		Cotter pin, 1/4" x 2"
12	A3313	Actuating arm, left

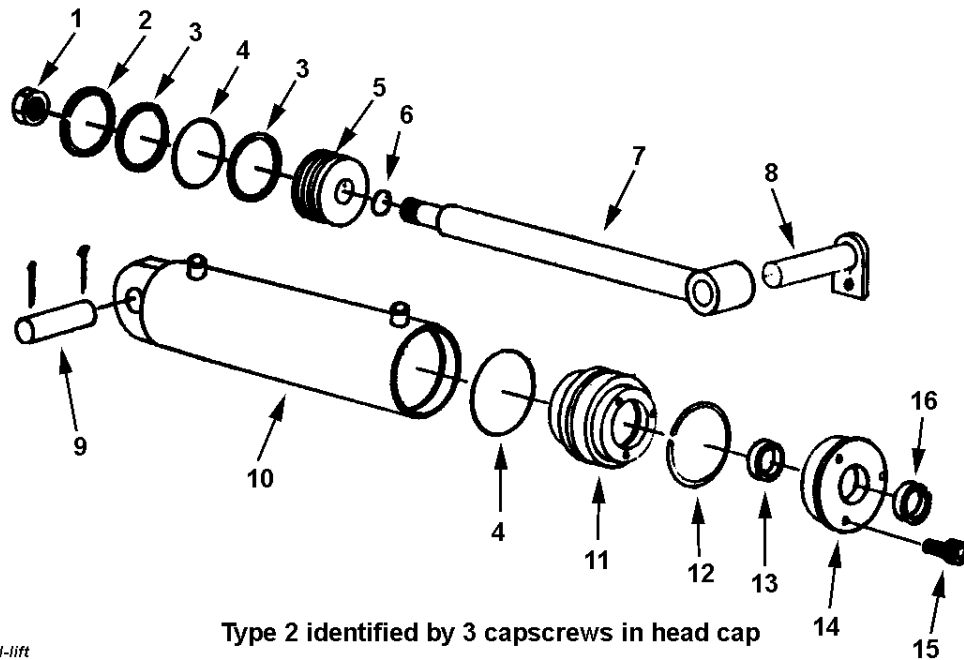
WHEEL, HUB, & SPINDLE



25-wheel

KEY NO.	PART NO.	DESCRIPTION
1	A2229	Grease seal (CR 22870)
2	A2230	Bearing cone (inner) (Timken 342A)
3	A2231	Bearing cup (inner) (Timken 332)
4	A2232	Hub, less bearings
5	A2233	Bearing cup (outer) (Timken 14276)
6	A2234	Bearing cone (outer) (Timken 14137A)
7	A2235	Hub cap
8	A2236	Wheel bolt
9	A3319	Wheel, 15" x 6" Standard
	A2237	Wheel, 14" x 6" (early model)
10	A2238	Spindle
11	A2239	Washer, special 7/8" flat
12		Nut, 7/8" NF castellated
		Cotter pin, 3/16" x 1-1/2"

HYDRAULIC CYLINDER
3-1/2" BORE X 16" STROKE
(STANDARD)



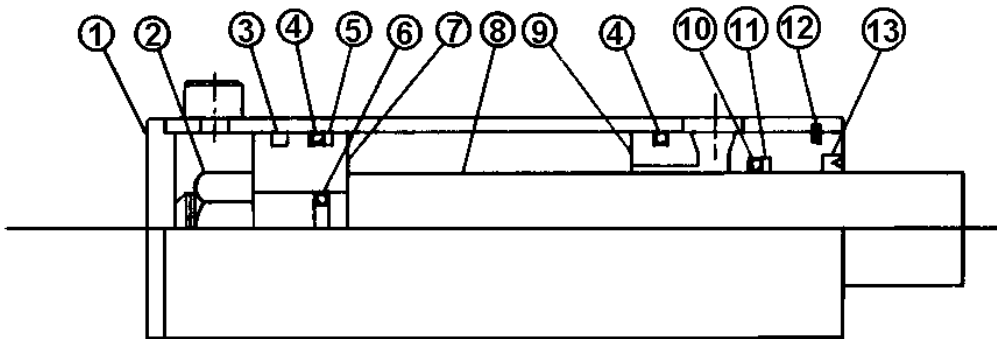
25-cyl-lift

MODEL A3516H1

KEY NO.	PART NO.	DESCRIPTION
1	A22H05	Piston nut, 3/4" NF
2	A22H06	Cast iron ring, 3-1/2" OD
3	A22H07	Back up washer, 3-1/2" OD
4	A22H08	O-ring seal, 3-1/2" x 3/16"
5	A22H09	Piston, 3-1/2"
6	A22H10	Piston gasket, 3/4" ID
7	A22H11	Shaft, 1-1/2" dia.
8	A3318	Pin, 1" x 5-5/8" tab head
9	A2508	Capscrew, 1/2" NC x 1" w/ LW
		Pin, 1" x 3-1/4"
		Cotter pin, 3/16" x 1-1/2"
10	A22H12	Barrel assembly, 3-1/2" ID
11	A22H13	Head gland, 3-1/2"
12	A22H14	Retainer ring
13	A22H15	O-ring
	A22H15A	Back up washer
14	A22H16	Head cap
15	A22H18	Capscrew, 1/4" x 1"
16	A22H17	Wiper seal, 1-1/2" ID
	A22H19B	Packing kit containing:
		1 A22H06 2 A22H15 2 A22H07
		1 A22H15A 2 A22H08 1 A22H17
		1 A22H10A

3-1/2" Bore
16" Stroke

PMC-5500D Series

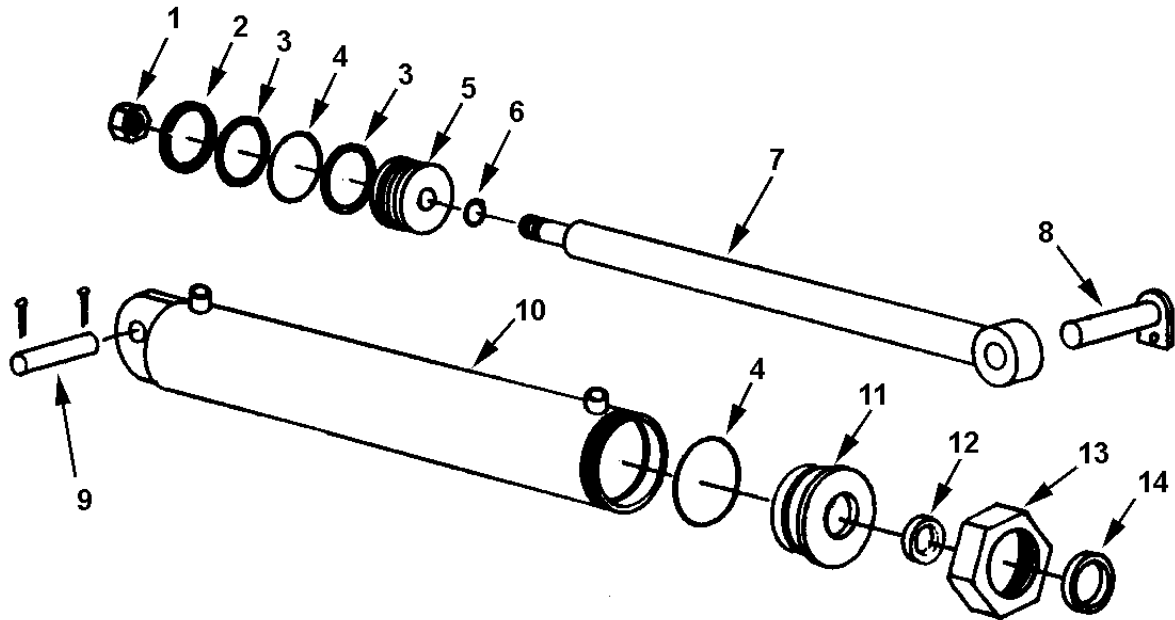


Type 4 identified by Snap ring securing head

25-cyl-pmc-5500d

KEY NO.	QUANTITY	PART NO.	DESCRIPTION
1	1	A22H12-P	Butt and tube assembly
2	1	A-2043-8	Lock nut
3	1	PMAP-K-41	Piston ring
4	2	PMAP-O-41	O-ring
5	1	PMAP-W-41	Bu-washer
6	1	PMAP-O-15	O-ring
7	1	P4-1510	Piston
8	1	A22H11-P	Piston rod
9	1	GIC-2470	Gland
10	1	PMAP-O-27	O-ring
11	1	PMAP-W-27	Bu-washer
12	1	TSR-350	Snap ring
13	1	PMAP-CM-27	Wiper
		PMCK-5500D	Seal kit

HYDRAULIC CYLINDER
2-1/2" BORE X 16" STROKE
(OPTIONAL)
HIGH PRESSURE



25-cyl-high-p

MODEL A2516H1

KEY NO.	PART NO.	DESCRIPTION
1	A22H05	Piston nut, 3/4" NF
2	A22H20	Cast iron piston ring, 2-1/2" OD
3	A22H21	Piston back up washer, 2-1/2" OD
4	A22H22	O-ring seal, 2-1/2" OD
5	A22H23	Piston, 2-1/2"
6	A22H10	Piston gasket
7	A22H24	Shaft, 1-1/4" dia.
8	A3318	Pin, 1" x 5-5/8" tab head
9	A2508	Capscrew, 1/2" NC x 1" w/ LW
		Pin, 1" x 3-1/4"
		Cotter pin, 3/16" x 1-1/2"
10	A22H25	Barrel assembly, 2-1/2" ID
11	A22H26	Head gland
12	A22H27	O-ring
	A22H27A	Back up washer
13	A22H28	Head cap
14	A22H29	Wiper seal
	A22H30	Packet kit containing:
	1 A22H20	2 A22H27
	2 A22H21	2 A22H21
	1 A22H29	2 A22H22
	1 A22H27A	1 A22H27A
	1 A22H10	