

Ashland **INDUSTRIES, INC.™**



Model 80 PARTS MANUAL

Version 3-03

Ashland Industries Inc.
1115 Rail Drive
P.O. Box 717
Ashland, WI. 54806
Ph: 877-634-4622 *Toll Free*
Ph: 715-682-4622
Fx: 715-682-9717
www.ashlandind.com



HOW TO ORDER PARTS:

IMPORTANT

Parts must be ordered through your local authorized ASHLAND dealer.

Be sure to state MODEL and SERIAL NUMBER of your machine, PART NUMBER, DESCRIPTION and QUANTITY needed.

Unless this is done, we cannot provide prompt service or assure shipment of the correct parts.



Ashland Industries weldable replacement parts are available to rebuild, modify or update your scraper to current factory specifications.

INDEX

Page 3.	Operator and Maintenance Instructions
Page 4.	Safety Guidelines
Page 5.	Illustration - Assembly
Page 6-7.	Assembly Instructions
Page 8.	Frame Assembly
Page 9.	Linkage Cylinder
Page 10.	Pole and Axle Assembly
Page 11.	Actuating Assembly
Page 12.	Bucket and Apron Assembly
Page 13.	Wheel, Hub and Spindle Assembly
Page 14.	Hydraulic Cylinder (5" x 20")
Page 15.	How to Operate the W7B-20DC Rim
Page 16.	Warranty Statement

OPERATOR AND MAINTENANCE INSTRUCTIONS

This scraper is a durable piece of equipment and with proper care will yield many years of trouble free operation. The scraper requires a power source with one 4-way (double acting) hydraulic control valve.

After scraper has been assembled, it should be greased at all points where grease fittings are provided. Connect hydraulic hoses to tractor and operate the scraper to maximum raise and drop several times to force any air from the hydraulic lines and cylinders. Check the oil level in the tractor hydraulic system and add to maintain the proper level.

When the scraper is placed into operation, the operator will have to "feel out" the amount of depth of cut to obtain maximum loading efficiency. This is usually accomplished by taking a lesser and more uniform cut. However, some soil conditions such as loose sand may require a "pumping action" obtained by taking successive deep cuts and lifting out of cut as the tractor begins to lose power or traction.

1. After 10 hours work, all bolts should be checked and tightened if necessary.
2. Every 10 hours all grease fittings should be lubricated.
3. After 50 hours work, all bolts should be rechecked and tightened if necessary. Check wheel bearings and adjust if necessary.
4. After 300 hours work, clean and repack wheel bearings and replace, if necessary, cutting edges, worn pins, etc.

ASHLAND INDUSTRIES, INC.



SAFETY SIGNAL WORDS

Note the use of the signal words DANGER, WARNING and CAUTION with the safety messages. The appropriate signal word for each has been selected using the following guidelines:

DANGER: Indicates an imminently hazardous situation that, if not avoided, will result in death or serious injury. This signal word is to be limited to the most extreme situations typically for machine components which, for functional purposes, cannot be guarded.



WARNING: Indicates a potentially hazardous situation that, if not avoided, could result in death or serious injury, and includes hazards that are exposed when guards are removed. It may also be used to alert against unsafe practices.



CAUTION: Indicates a potentially hazardous situation that, if not avoided, may result in minor or moderate injury. It may also be used to alert against unsafe practices.



GENERAL SAFETY GUIDELINES

Safety of the operator is one of the main concerns in designing and developing a new piece of equipment. Designers and manufacturers build in as many safety features as possible. However, every year many accidents occur which could have been avoided by a few seconds of thought and a more careful approach to handling equipment. You, the operator, can avoid many accidents by observing the following precautions in this section. To avoid personal injury, study the following precautions and insist those working with you, or for you, follow them.

Replace any CAUTION, WARNING, DANGER or instruction safety decal that is not readable or is missing. Location of such decals is indicated in this booklet.

Do not attempt to operate this equipment under the influence of drugs or alcohol.

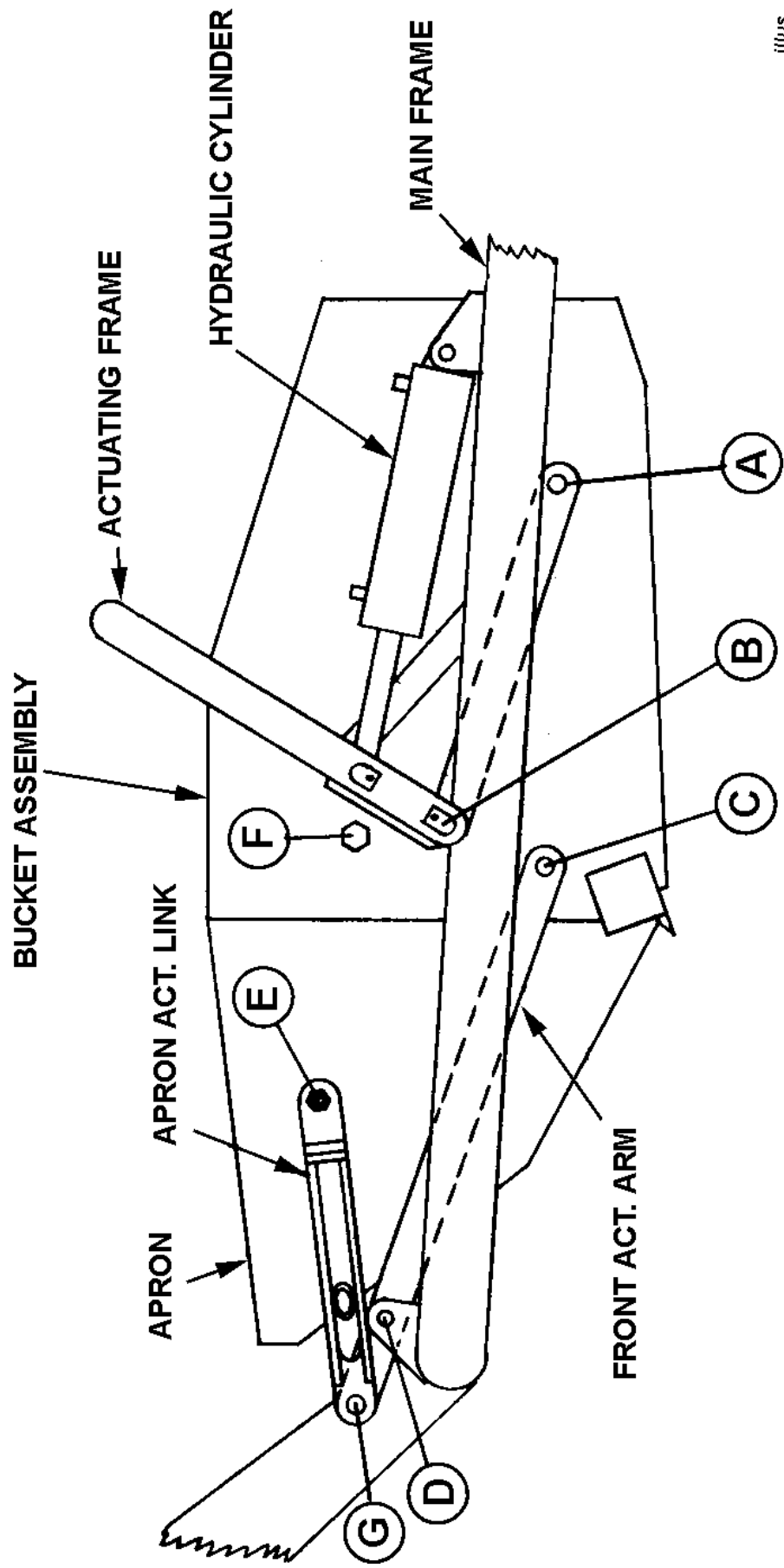
Review the safety instructions with all users annually.

This equipment is dangerous to children and persons unfamiliar with its operation. The operator should be a responsible adult familiar with farm machinery and trained in this equipment's operations. Do not allow persons to operate or assemble this unit until they have read this manual and have developed a thorough understanding of the safety precautions and of how it works.

To prevent injury or death, use a tractor equipped with a Roll Over Protective System (ROPS). Do not paint over, remove or deface any safety signs or warning decals on your equipment. Observe all safety signs and practice the instructions on them.

Never exceed the limits of a piece of machinery. If its ability to do a job, or to do so safely, is in question - DON'T TRY IT.

ILLUSTRATION - ASSEMBLY



illus

ASSEMBLY INSTRUCTIONS FOR MODEL 80 SCRAPER (Refer to illustration on previous page)

1. A suitable hoist or lift should be available for assembly.
2. Pack wheel bearings with grease and install hubs to rear spindles and to front axle assembly on model 80D scrapers.
3. Install rear spindles to frame in lowest possible setting to obtain the maximum spreading depth between cutting edge and ground. If less depth of spread is desired, select a lower setting or reverse the spindle bottom-to-top.

(Steps 4 and 5 refer to model 80D scrapers only)

4. Raise the front of the frame and remove the two 5/8" x 3 1/2" bolts which hold the cast socket halves inside the gooseneck post. Remove the socket halves.
5. Roll the pole and axle assembly directly under the gooseneck and place the cast socket halves around the ball swivel on the axle. Lower the frame into place so that the socket halves seat into the gooseneck. (If necessary, clamp halves together with C-clamp while lowering gooseneck.) Replace the two 5/8" x 3 1/2" bolts and tighten securely. Install a long shank zerk into hole provided on front of gooseneck post.
6. Raise the actuating frame over bucket and lower into place so that the holes in the arms of the actuating frame align with the rear hole on each side of the bucket. (Point A). Insert 1 1/2" x 2 3/4" pins (with tab type head) from the inside of the bucket. Secure with 5/8" x 1 1/2" NF bolt through bucket side with locking nut to the outside.
7. Connect a short chain from the cutting edge to the cross pipe of the actuating frame, then raise the bucket and actuating frame assembly over the main frame and lower into place so that the front of the actuating frame can be connected to the 2" bushing on each side of the frame. (Point B) Secure with 2" x 7-1/8" pin and lock with 5/8" x 1" NC capscrew and lockwasher.
8. Install the actuating arm bars to the front holes in the bucket. (Point C) Insert 1 1/2" x 2 3/4" pins (with tab head) from the inside of the bucket. Secure with 5/8" x 1 1/2" NF bolt through bucket side with lock nut on the outside.
9. Lift the end of the front actuating arms and connect to the brackets on the front frame cross-member using 1 1/2" x 3 1/4" pins. (Point D) Secure with 1/4" x 2" cotter pins.
10. Install front apron gate and secure with 1 1/4" to 1 5/8" shoulder pin with zerk in head end. (Point F)

11. Install the two apron actuating links (open spring end toward front of scraper). Secure at Point E with 1 ¼" to 1-5/8" shoulder pin having zerk in threaded end. Secure at Point G with 1 ½" flat washer and ¼" x 2" cotter pin.
12. Install hydraulic cylinders to main frame and actuating frame with rod end to actuating frame. Be sure the grease hole in the rod end is facing up. Use 1-1/8" x 3 ¼ " pin at the base of the cylinder. Secure with 3/16" x 1 ½" cotter pins. Use 1-1/8" x 7-3/8" pin at the rod end of the cylinder. Secure with ½" x 1" NC capscrew and lockwasher.
13. Install ½" x 90° swivel adapters into front and rear ports on each cylinder. Tighten so that the hose fitting faces toward the rear.
14. Connect a ½" x 18" hose from the rear port of each cylinder to one of the pipe lines in the rear cross frame. Be sure both hoses from the rear ports are connected to the same pipe.
15. Connect a ½" x 38" hose from the front port of each cylinder to the remaining pipe line on the rear cross frame.
16. Install all the grease fittings and grease liberally.
17. If possible, place assembled scraper on level floor or pavement and measure the distance from the cutting edge to floor, on both left and right sides, and then adjust rear spindles to obtain equal distance on both sides if necessary.

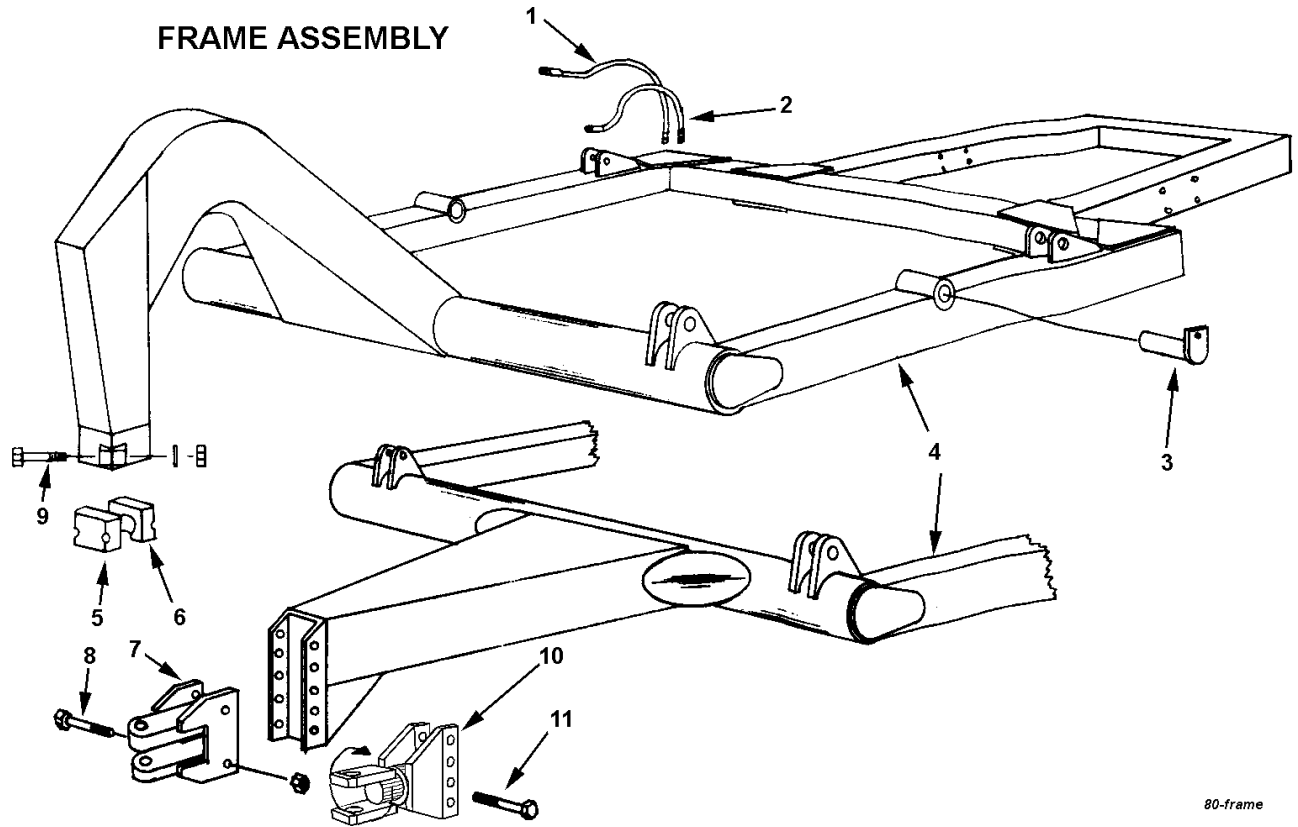
Addendum:

There are mating surfaces between the offset bar of the actuating frame and the side wall of the bucket where a rubbing action occurs. Likewise, there is a spot between the offset bar of the actuating frame and the inside of the main frame on left and right sides. Apply a film of grease at these locations.

The rubbing action at these locations is intentional to support the bucket while in operation.

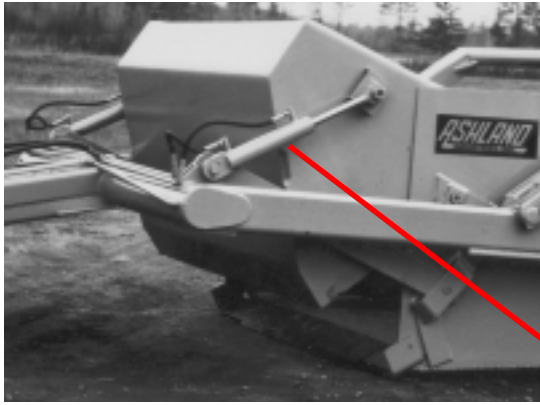
ASHLAND INDUSTRIES, INC.

FRAME ASSEMBLY

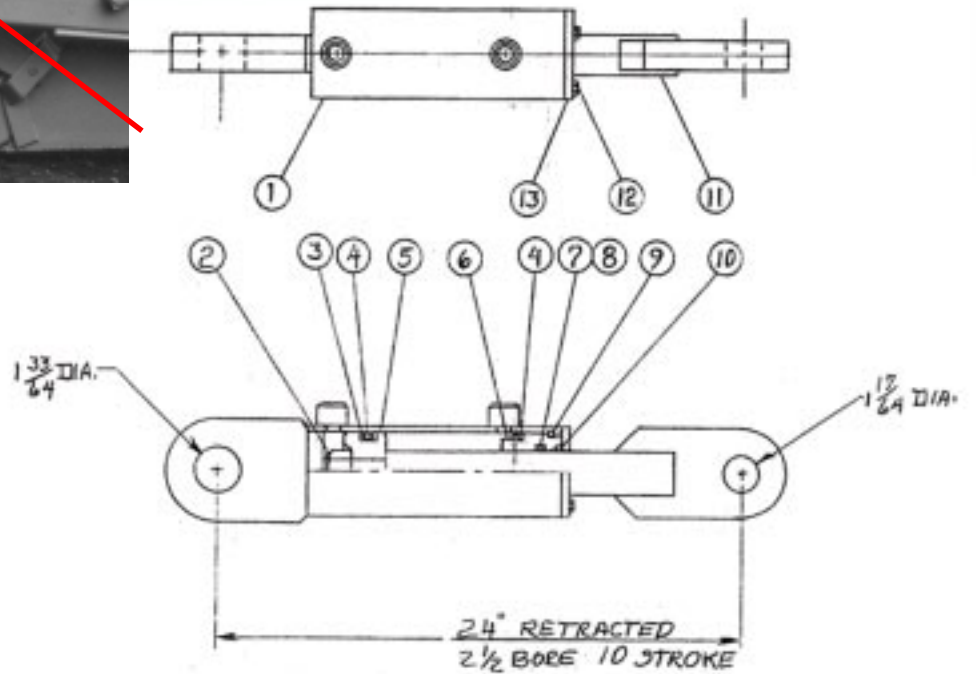


80-frame

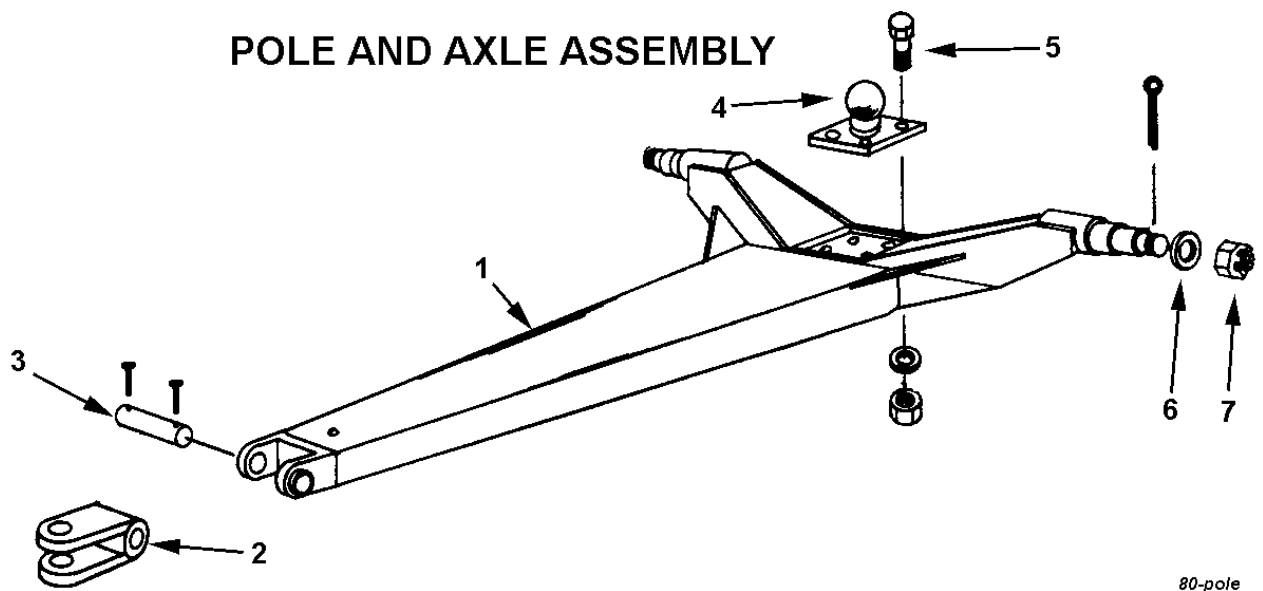
KEY NO.	PART NO.	DESCRIPTION
1	A80H11	Hydraulic hose, 1/2" x 40"
2	A60H01A	Hydraulic hose, 1/2" x 18"
	A400H02	Swivel adapter, 1/2" x 90°
3	A8001	Pin, 2" x 7-1/8" w/ tab head
4	A8002	Frame - 4 wheel
	A8003	Frame - 2 wheel
5	A40005	Cast socket half, front, w/ zerk hole
6	A40004	Cast socket half, rear
7	A60004	Hitch, 2 wheel model
8		Bolt, 3/4" NC x 6" w/ nut & lockwasher
9		Bolt, 5/8" NC x 4" w/ nut & lockwasher
10	A8033	Swivel hitch
11		Bolt, 1-1/4" NF x 7" w/ locknut



Linkage Cylinder

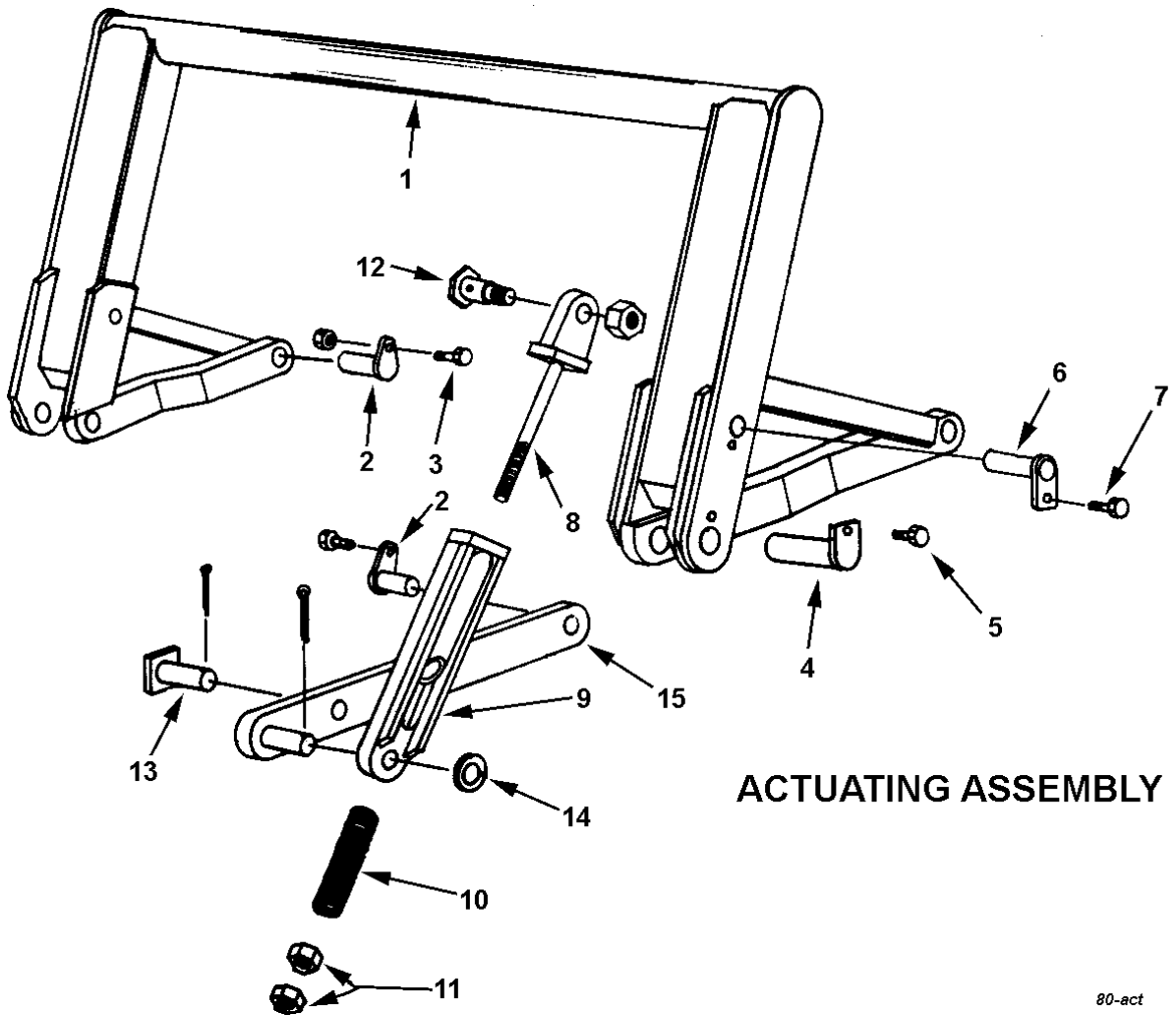


DWG #	KEY NO.	PART NO.	DESCRIPTION
123119	1	A80H41	Barrel Assembly
	2	905621	Piston Nut
	3	905623	Back-up Washer 2-1/2"
	4	905624	O-Ring, 2-1/2" OD x 3/16"
	5	905622	Piston
123120	6	A80H42	Gland
	7	905626	O-Ring, 1-5/8" OD x 1/8"
	8	905627	Back-up Washer 1-5/8"
123122	9	A80H43	Retainer Ring
	10	905629	Wiper Seal 1-3/8" ID
123121	11	A80H44	Rod Assembly
	12		Capscrew
123123	13	A80H45	Gland Cap



(4-Wheel Models Only)

KEY NO.	PART NO.	DESCRIPTION
1	A8014	Pole and Axle
2	A6013	Swivel hitch clevis
3	A6014	Pin, 1-1/4" x 6-3/4" w/ 5/16" x 2-1/2" bolts
4	A40006	Ball swivel
5		Bolt, 3/4" x 2-1/2" w/ nut & lockwasher
6	A8027	Washer, special 1-1/4" flat
7		Nut, 1-1/4" NF castellated

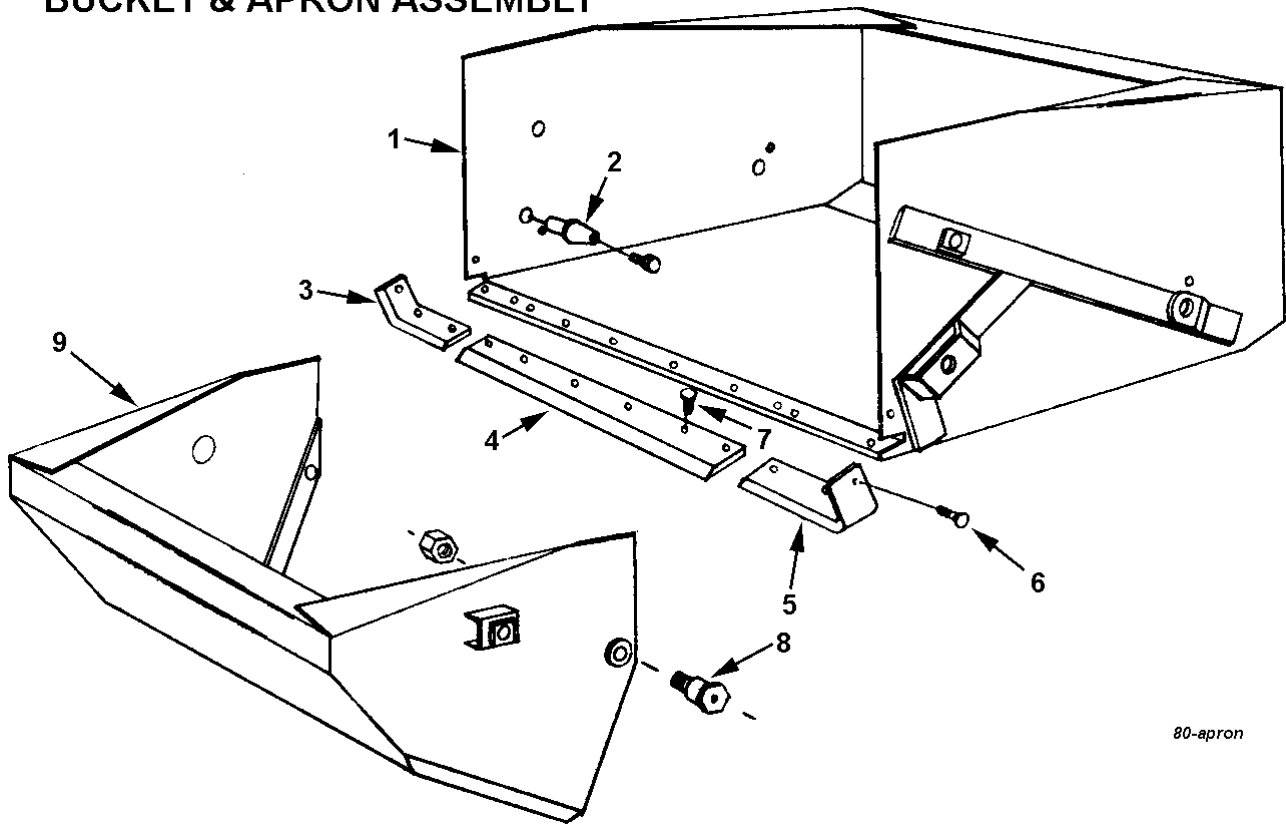


ACTUATING ASSEMBLY

80-act

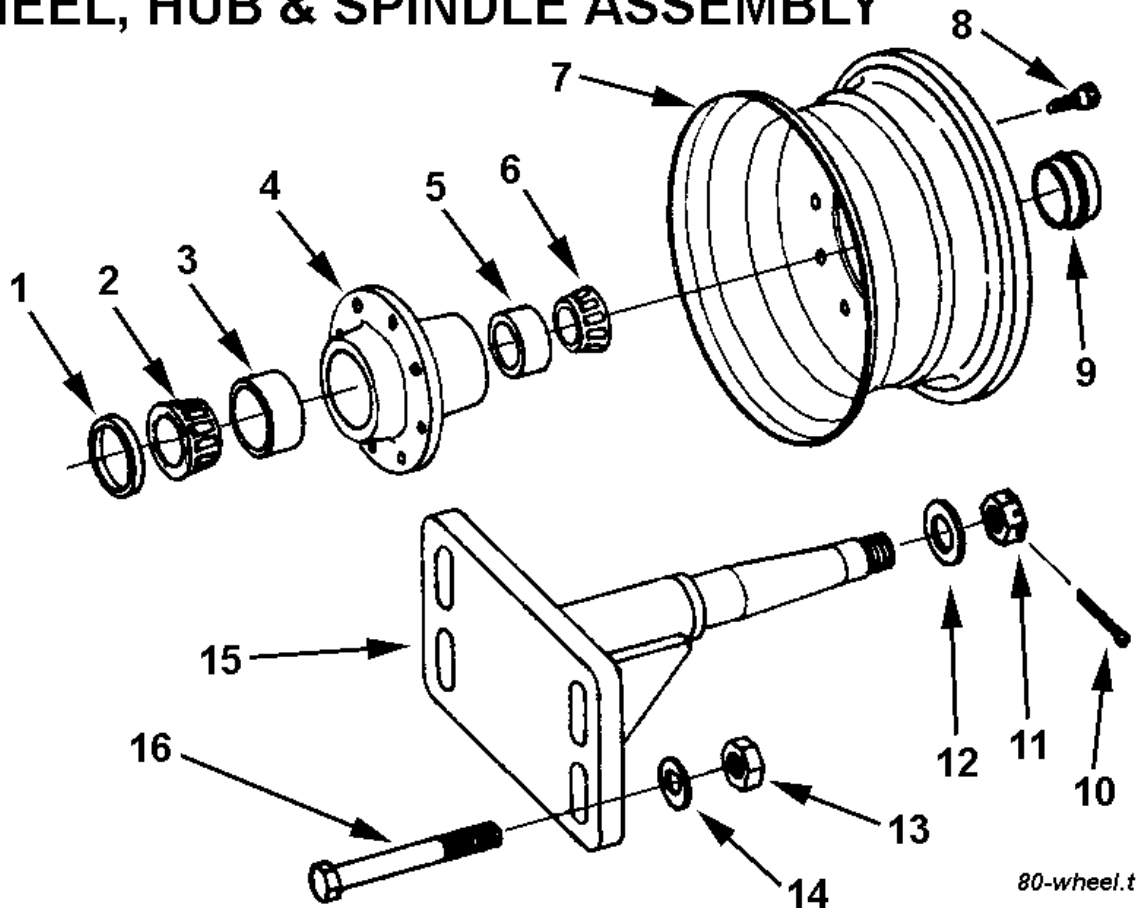
KEY NO.	PART NO.	DESCRIPTION
1	A8004A	Actuating frame
2	A8005	Pin, 1 1/2" x 2-3/4" w/ tab head
3		Bolt, 5/8" x 1-1/2" NF w/ lockwasher & nut
4	A8001	Pin, 2" x 7-1/8" w/ tab head
5		Capscrew, 5/8" x 1-1/4" NC w/ lockwasher
6	A8007A	Pin, 1-1/4" x 7-3/8" w/ tab head
7		Capscrew, 5/8" x 1-1/4" NC w/ lockwasher
8	A6015	Actuating link, upper half
9	A6016	Actuating link, lower half
10	A6018	Compression spring, 1" ID x 2" OD x 10" long
11		Nut, 1" NF
12	A6019	Shoulder pin, 1-1/4" to 1-5/8" w/ zerk in thread end
13	A8008	Pin, 1-1/2" x 3-5/8" w/ square head Cotter pin, 1/4" x 2"
14		Washer, 1-1/2"
15	A8009A	Actuating arm

BUCKET & APRON ASSEMBLY



KEY NO.	PART NO.	DESCRIPTION
1	A8010	Bucket
2	A8005	Pin, 1-1/2" x 2-3/4" w/ tab head
		Bolt, 5/8" x 1-1/2" NF w/ lock nut
3	A8029A	Right cutting edge, 3/4" x 6"
4	A8030	Center cutting edge, 3/4" x 8" x 54"
5	A8031A	Left cutting edge, 3/4" x 6"
6		Plow bolt, 1/2" x 1-3/4" w/ nut (6 req'd)
7		Plow bolt, 5/8" x 2" w/ nut (6 req'd)
8	A6010	Shoulder pin, 1-1/4" to 1-5/8" w/ zerk in head
9	A8011	Apron

WHEEL, HUB & SPINDLE ASSEMBLY

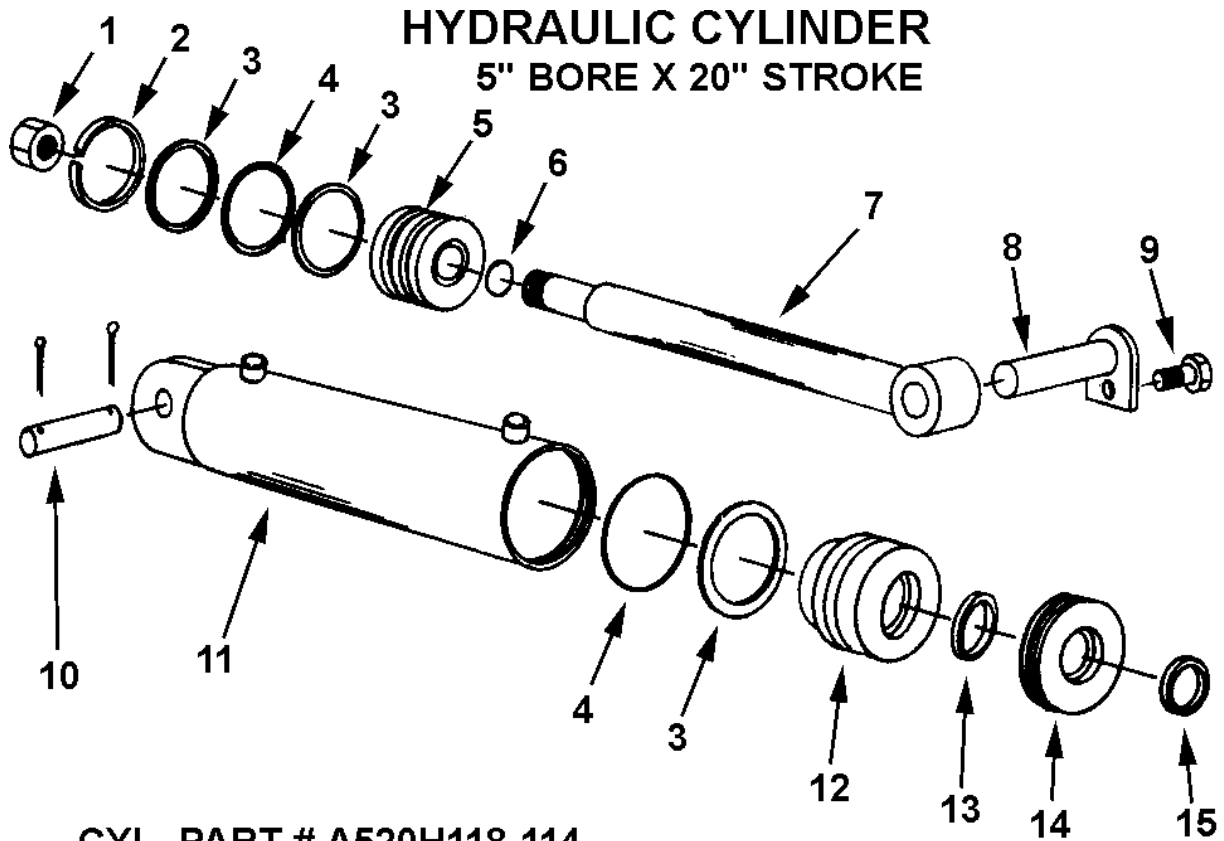


80-wheel.tif

s/n 12592 & up

KEY NO. PART NO.

KEY NO.	PART NO.	DESCRIPTION
1	A8020	Grease seal (CR 35062)
2	A8021	Bearing cone, inner (Timken 39581)
3	A8022	Bearing cup, inner (Timken 39520)
4	A8023	Hub
5	A8024	Bearing cup, outer (Timken 3525)
6	A8025	Bearing cone, outer (Timken 3585)
7	A4521A	Wheel, 20" x 7" drop center
	A6022	Wheel, 16" x 11" drop center (optional)
	A8013	Wheel, 16" lock rim (optional)
8	A4519	Wheel bolt, 9/16" NF
9	A8026	Hub cap
10		Cotter pin
11		Spindle nut, slotted 1-1/4" NF
12	A8027	Spindle washer
13		Nut, 1" NC
14		Flatwasher, 1"
15	A8028	Spindle weldment
16		Bolt, 1" NC x 6-1/2" lg



80-hyd-cyl

KEY NO.	PART NO.	DESCRIPTION
1	A400H17	Nut, 1-1/4" NF, lock type
2	A400H04	Cast ring, 5" OD
3	A400H05	Backup washer, 5" OD x 1/4"
4	A400H06	O-ring, 5" OD x 1/4"
5	A80H01	Piston, 5" OD
6	A60H52	O-ring, 1-1/4" ID x 1/16"
7	A80H08A	Shaft, 2" dia.
8	A8007A	Pin, 1-1/4" x 7-1/2" w/ tab head
9		Cap screw, 5/8" x 1-1/4" w/ lockwasher
10	A45003	Pin, 1-1/8" x 3-1/4"
		Cotter pin, 3/16" x 1-1/2"
11	A80H02	Barrel assembly, 5" ID
*12	A80H03	Head gland, 5" OD
13	A80H04	Seal, 2" ID
*14	A80H05	Head cap
15	A80H06	Wiper seal, 2" ID
	A80H07	Packing kit containing:
		1 - A400H04 1 - A60H52 3 - A400H05
		1 - A80H04 2 - A400H06 1 - A80H06
*16	A80H05A	One piece Gland and Cap

HOW TO OPERATE THE W7B-20DC RIM

Note: This rim has been developed for 20" used truck tires up to and including 9.00-20 ten ply. However, many users have found it possible to mount 10.00-20 twelve ply tires. The following procedures should be followed:

Tools and Materials Required:

One Set Firestone Truck Tire Tools (48-A-200)
 One Pair Vise-Grip Pliers
 Lubricant (Avoid use of compound that contains water . . . or a solvent injurious to rubber — see your rim distributor)

MOUNTING:



1. Remove flap inasmuch as it is not required on the drop center rim mounting and it prevents mounting the tire. Check to see tube is in casing and inflated sufficiently to prevent sag below tire beads.



2. Place rim on floor with valve hole side up. Place tire over rim with valve stem pointing upwards. Force lower bead into well of rim as far as possible.



3. Lubricate last section of lower bead to facilitate mounting.



4. Using straight end of tool (with stop resting on rim flange) take small bites to work remaining section of lower bead onto rim.



5. Stand tire up with valve and valve hole at top of rim. Insert valve into valve hole.



6. To get top bead in place stand on tire and force bead down as far as possible and clamp vice grip pliers on the flange. (snub side toward tire). Using spoon end of tire iron with lug side towards rim, work progressively around bead using small bites until bead slips over flange onto rim base. In order to mount last 6" of bead it usually is necessary to insert second tire iron and lubricate the last bead portion.

DEMOUNTING:



1. Remove valve core to deflate and loosen tire from bead seat on both sides. Lubricate upper bead of tire thoroughly. With stops toward rim, insert spoon ends of both tools about 10 inches apart. While standing on tire to hold bead in well, pull one tool back toward center of rim.



2. Hold first tool in position with one foot and pull second tool toward center of rim. Progressively work top bead off rim, taking additional bites if necessary.



3. Stand tire and tube in vertical position with valve at top of assembly and remove valve from valve hole. Then place valve at bottom of assembly and pull out upper portion of tube so it will not interfere with demounting the second bead. Lubricate second bead. At top of assembly insert straight end of tool between bead and back flange of rim at about a 45° angle. Turn tool so it is perpendicular to rim. Pry second bead off.

ELECTRIC WHEEL COMPANY-QUINCY, ILL.

Division of the Firestone Tire & Rubber Company

Limited Warranty Statement

Ashland Industries Inc. warrants each new product to be free from defects in material and workmanship. This warranty is applicable only for the normal service life expectancy of the product or components, not to exceed six consecutive months from the date of delivery of the new Ashland Industries product to the original purchaser, or the date the product is first put into service via a rental agreement or other means, whichever occurs first.

Genuine Ashland Industries Inc. replacement parts and components will be warranted for 30 days from date of purchase, or the remainder of the original equipment warranty period, whichever is longer.

Under no circumstances will it cover any merchandise or components thereof, which in the opinion of the company, has been subjected to misuse, unauthorized modification, alterations, an accident or if repairs have been made with parts other than those obtained through Ashland Industries Inc.

Ashland Industries Inc. in no way warrants Tires since these items are warranted separately by their respective manufacturer. Please call Ashland Industries Inc. to receive phone numbers of tire suppliers.

Ashland Industries Inc. in no way warrants wearable items such as cutting edges, front dolly wheel balls, socket halves.

Our obligation under this warranty shall be limited to repairing or replacing, free of charge to the original purchaser, any part that, in our judgement, shall show evidence of such defect, provided further that such part shall be returned within 30 days from the date of failure to Ashland Industries Inc. routed through the dealer and distributor from whom the purchase was made, transportation charges prepaid. Upon warranty approval proper credits will be reimbursed for transportation.

This warranty shall not be interpreted to render Ashland Industries Inc. liable for injury or damages of any kind or nature to person or property. This warranty does not extend to the loss revenue, extra labor cost associated with downtime, substitute machinery, rental or for any other reason.

Except as set forth above, Ashland Industries Inc. shall have no obligation or liability of any kind on account of any of its equipment and shall not be liable for special or consequential damages. Ashland Industries Inc. make no other warranty, expressed or implied, and, specifically, Ashland Industries Inc. disclaims any implied warrant or merchantability or fitness for a particular purpose. Some states or provinces do not permit limitations or exclusions of implied warranties or incidental or consequential damages, so the limitations or exclusion in this warranty may not apply.

This warranty is subject to any existing conditions of supply which may direct affect our ability to obtain materials or manufacture replacement parts.

Ashland Industries Inc. reserves the right to make improvements in design or changes in specifications at any time, without incurring any obligation to owners of units previously sold

No one is authorized to alter, modify or enlarge this warranty nor the exclusion, limitations and reservations.

Ashland Industries Inc.
Warranty Department