



PARTS MANUAL

ASHLAND 1812E SCRAPER

YEAR MODEL: 2301

VERSION: 1.03

TABLE OF CONTENTS

- | | | | | | | |
|--------------------------------------|-------------------------------------|------------------------------------|--------------------------------------|-----------------------------|----------------------------|-------------------------------------|
| 1
Structural
Components | 2
Hydraulic
Components | 3
Hydraulic
Cylinders | 4
Electrical
Components | 5
Decal
Layout | 6
Spiral
Wrap | 7
Cutting Edge
Options |
|--------------------------------------|-------------------------------------|------------------------------------|--------------------------------------|-----------------------------|----------------------------|-------------------------------------|

1812E

SECTION 1.00

BOLT TORQUE SPECIFICATIONS

Recommended Torque Specifications Unless Otherwise Specified.

STANDARD/PLOW/CARRIAGE BOLTS

BOLT SIZE	THREAD PER INCH	GRADE 2				GRADE 5				GRADE 8			
		DRY		LUBRICATED		DRY		LUBRICATED		DRY		LUBRICATED	
		ft/lbs	Nm	ft/lbs	Nm	ft/lbs	Nm	ft/lbs	Nm	ft/lbs	Nm	ft/lbs	Nm
1/4	20	5.5	7.4	4.1	5.6	9.5	12.9	7.2	9.7	12	16.2	9	12.1
1/4	28	6.3	8.5	4.7	6.4	10.9	14.8	8.2	11.1	14	18.5	10	13.9
5/16	18	11	15.3	8	11.5	20	26.6	15	20.0	25	33.3	18	25.0
5/16	24	13	17.0	9	12.7	22	29.5	16	22.1	27	36.9	20	27.6
3/8	16	20	27.2	15	20.4	35	47.3	26	35.5	44	59.1	33	44.3
3/8	24	23	30.8	17	23.1	40	53.6	30	40.2	49	67.0	37	50.2
7/16	14	32	43.5	24	32.6	56	75.7	42	56.7	70	94.6	52	70.9
7/16	20	36	48.6	27	36.4	62	84.5	47	63.4	78	105.6	58	79.2
1/2	13	49	66.4	37	49.8	85	115.4	64	86.6	106	144.3	80	108.2
1/2	20	55	74.8	41	56.1	96	130.1	72	97.6	120	162.6	90	121.9
5/8	11	97	132.1	73	99.1	170	229.8	127	172.4	212	287.3	159	215.4
5/8	18	110	149.7	83	112.3	192	260.3	144	195.2	240	325.4	180	244.0
3/4	10	173	234.3	130	175.8	301	407.6	225	305.7	376	509.4	282	382.1
3/4	16	193	261.7	145	196.3	336	455.1	252	341.4	420	568.9	315	426.7
7/8	9	243	328.9	182	246.6	485	657.7	364	493.3	606	822.1	455	616.6
7/8	14	267	362.3	200	271.7	534	724.6	401	543.5	668	905.8	501	679.3
1	8	364	493.0	273	369.7	636	862.7	477	647.0	909	1232.4	682	924.3
1	12	398	539.3	298	404.5	696	943.9	522	707.9	995	1348.4	746	1011.3
1 1/4	7	727	985.3	545	739.0	1272	1724.3	954	1293.3	1817	2463.4	1363	1847.5
1 1/4	12	805	1091.1	604	818.3	1408	1909.4	1056	1432.1	2012	2727.7	1509	2045.8
1 1/2	6	1265	1714.4	948	1285.8	2213	3000.3	1660	2250.2	3161	4286.1	2371	3214.6
1 1/2	12	1423	1929.2	1067	1446.9	2490	3376.1	1868	2532.1	3557	4823.0	2668	3617.2
2	4.5	3000	4067.5	2250	3050.6	5250	7118.0	3938	5338.5	7500	10168.6	5625	7626.5
2	8	3324	4506.7	2493	3380.1	3878	5257.9	2909	3943.4	8310	11266.8	6233	8450.1

SOCKET HEAD BOLTS

BOLT SIZE	THREAD PER INCH	GRADE 8			
		DRY		LUBRICATED	
		ft/lbs	Nm	ft/lbs	Nm
1/4	20	14	19.0	10	13.6
1/4	28	16	21.7	12	16.3
5/16	18	29	39.3	22	29.8
5/16	24	32	43.4	24	32.5
3/8	16	51	69.1	28	38.0
3/8	24	58	78.6	43	58.3
7/16	14	81	109.8	61	82.7
7/16	20	91	123.4	68	92.2
1/2	13	124	168.1	93	126.1
1/2	20	140	189.8	105	142.4
5/8	11	238	322.7	179	242.7
5/8	18	270	366.1	202	273.9
3/4	10	423	573.5	317	429.8
3/4	16	472	639.9	354	480.0

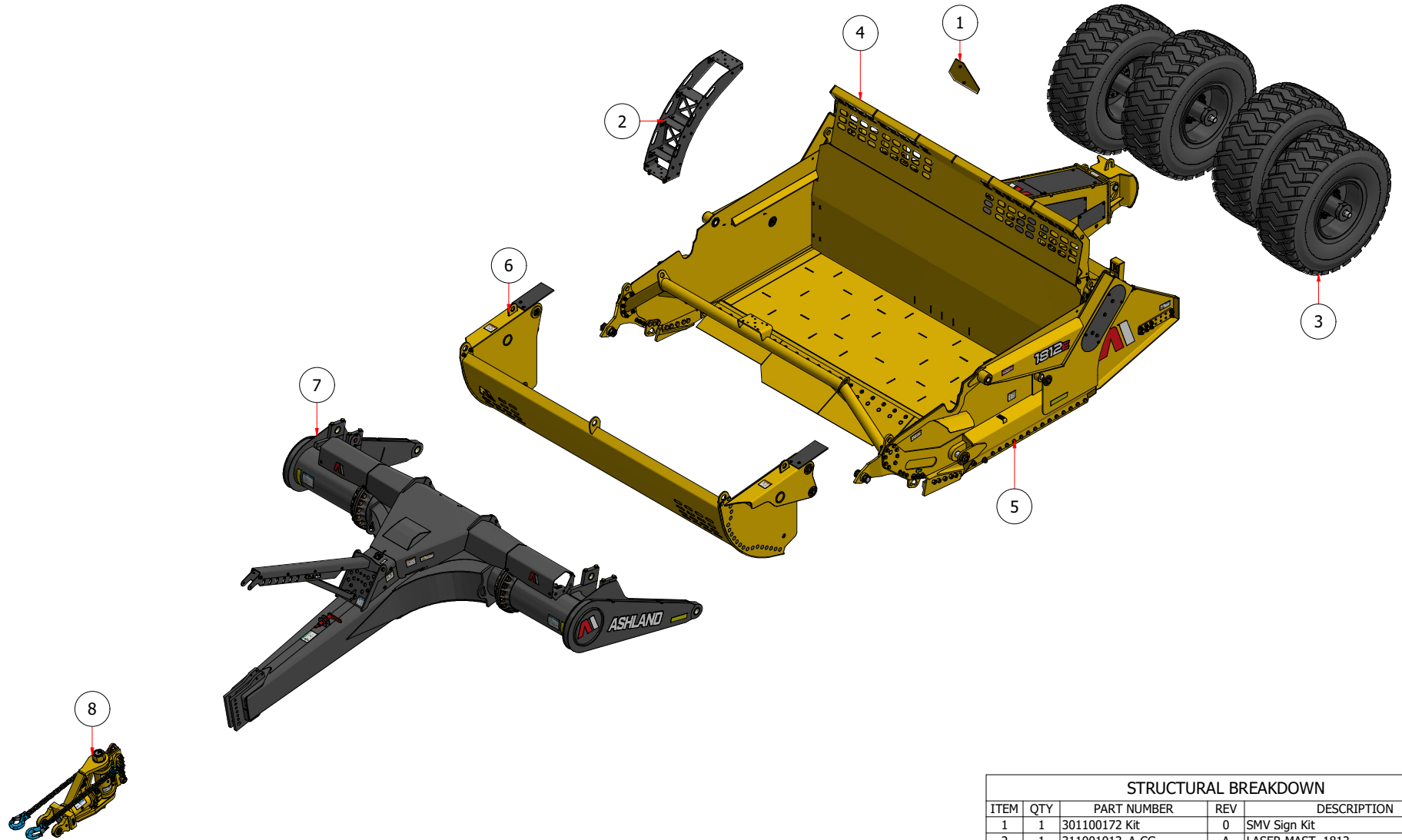
LAG BOLTS

BOLT SIZE	THREAD PER INCH	GRADE 2	
		DRY	
		ft/lbs	Nm
5/8	5	50	67.8

SECTION 1.00

STRUCTURAL

2301 1812 BREAKDOWN



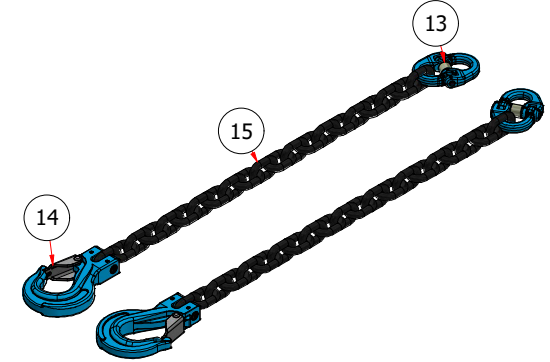
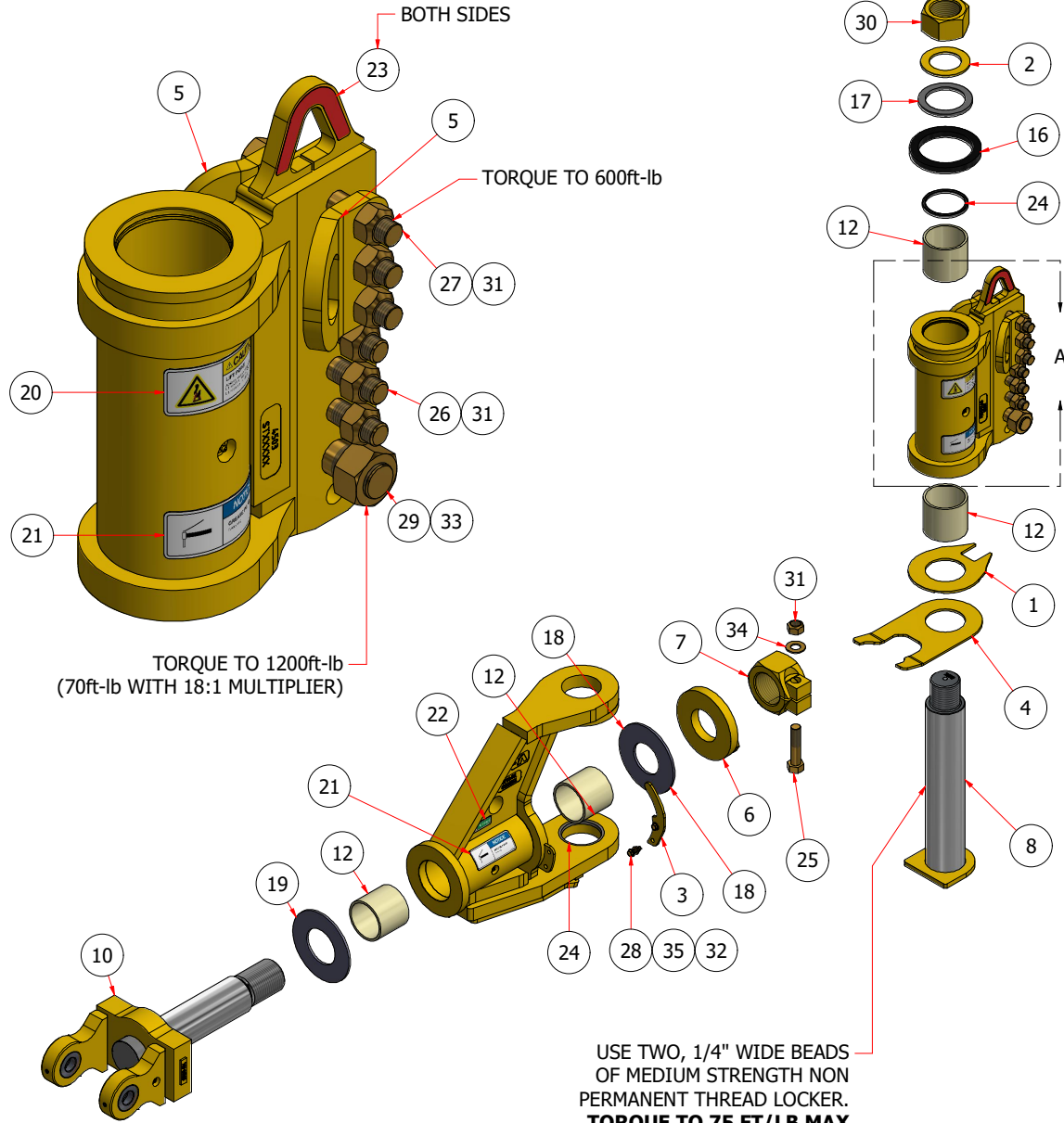
SHOWING OVERALL SCRAPER COMPONENTS.
BE SURE TO REFERENCE YOUR MODEL SPECIFIC ASSEMBLY.

STRUCTURAL BREAKDOWN				
ITEM	QTY	PART NUMBER	REV	DESCRIPTION
1	1	301100172 Kit	0	SMV Sign Kit
2	1	311001013_A-CG	A	LASER MAST, 1812
3	4	311001015_A-W	A	20.5 WHEEL ASSEMBLY, 1812
4	1	311001018_A-E-CY	B	BOLT TOGETHER PUSH OFF, 1812
5	1	311001033_A-S-CY	D	BOWL, 1812
6	1	311001034_A-G-CY	A	APRON, 1812
7	1	311001049_A-C-CG	C	LONG TRAILING ARMS FS, 1812
8	1	311100035 Kit	0	Knuckle, 1-1/2" Pin, 6-1/2" Inner Width

SECTION 1.01

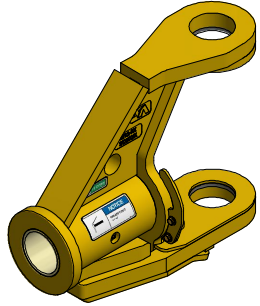
STRUCTURAL

2301 1812 KNUCKLE/HITCH
(311100035 -R1 Kit)

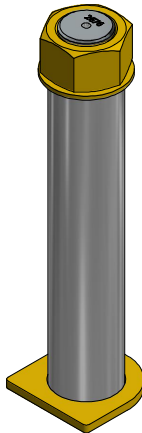


ASHLAND KNUCKLE COMPONENTS				
ITEM	QTY	PART NUMBER	REV	DESCRIPTION
1	1	101000106_cm_K	1	Grease_Thrust_Washer_Vertical .pin
2	1	101001956_c_K-CY	0	Washer_knuckle_vert.pin
3	2	101009913_c_K-CY	0	Knuckle, Chain Keeper
4	1	101009914_cb_K-CY	0	Knuckle, Thrust Washer
5	2	101010052_cvb_H-CY	2	Knuckle_Safety Chain Ear
6	1	301000053_w_K-CY	0	Washer 3 1/2" Squeeze Nut
7	1	301000054_wms_K-CY	1	Thrust Nut (Knuckle)
8	1	301002676_w_K-CY	0	Pin Vertical_4" (PG shaft induction hardend)
67	1	301002711_wm_K-CY	7	Knuckle, Sub-weldment
10	1	301003258_w_K-CY	3	Yoke, Ashland UNC
11	1	301004503_wm-CY	1	Vertical Bushing Weldment
12	4	404000009	0	Comp Bushing 4.00" ID x 4.50" OD x 4.00"
13	2	405500014	0	5/8" Grade 100 Coupling Link
14	2	405500015	0	5/8" Grade 100 Clevis Sling Hook
15	2	405500032	0	Chain Grade 100 5/8" 21 Links
16	1	409000021	0	Seal .75"-7.25" OD-5.50" ID
17	1	409000022	0	Seal .375"- 5.50" OD- 4.06" ID
18	1	409000034	0	Thrust Washer .25"- 7.75" OD - 3.50" ID
19	1	409000100	1	Thrust Washer 0.250" x 8.00" OD x 4.063" ID
20	1	411000041	2	Decal - Caution Lift Point
21	2	411000046	2	Decal - Notice Grease Daily
22	1	411000102	1	Decal - Safety Tie Down
23	2	411000206	0	Decal - Lift Hook Highlight, Knuckle
24	2	422000003	0	Seal 4" Pin
25	1	BLT8C_1x4_1-2	0	Bolt Gr. 8 UNC 1" x 4-1/2"
26	3	BLT8C_1x5_1-2	0	Bolt Gr. 8 UNC 1" x 5-1/2"
27	3	BLT8C_1x7	0	Bolt Gr. 8 UNC 1" x 7"
28	4	BLT8C_3-8x1_1-4	0	Bolt Gr. 8 UNC 3/8" x 1-1/4"
29	1	BLT8F_1_1-2x5_1-2	0	Bolt Gr. 8 UNF 1-1/2" x 5-1/2"
30	1	NUT2C_3_m_N-CY	0	Nut Gr. 2 UNC 3" Machined and Painted
31	7	NUT8C_1_STL	0	Nut Gr. 8 UNC 1" Stover Lock
32	4	NUT8C_3-8_STL	0	Nut Gr. 8 UNC 3/8" Stover Lock
33	1	NUT8F_1_1-2	0	Nut Gr. 8 UNF 1-1/2"
34	1	WSH8_1_STR	0	Washer Gr. 8 - 1" Structural
35	8	WSH8_3-8_STR	0	Washer Gr. 8 - 3/8" Structural

SECTION 1.01 KITS

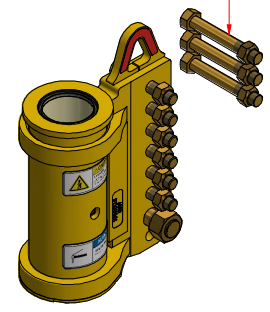


301100100-R3 Kit	
QTY	DESCRIPTION
4	Bolt Gr. 8 UNC 3/8" x 1-1/4"
2	Comp Bushing 4.00" ID x 4.50" OD x 4.00"
1	Decal - Notice Grease Daily
1	Decal - Safety Tie Down
1	Knuckle Frame
2	Knuckle, Chain Keeper
1	Knuckle, Thrust Washer
4	Nut Gr. 8 UNC 3/8" Stover Lock
1	Seal .375"- 5.50" OD- 4.06" ID
1	Seal .75"-7.25" OD-5.50" ID
1	Seal 4" Pin
8	Washer Gr. 8 - 3/8" Structural

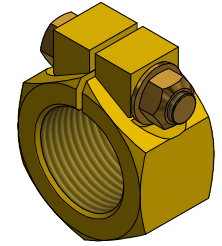


301100103 Kit	
QTY	DESCRIPTION
1	Nut Gr. 2 UNC 3" Machined and Painted
1	Pin Vertical_4" (PG shaft induction hardend)
1	Washer_knuckle_vert.pin

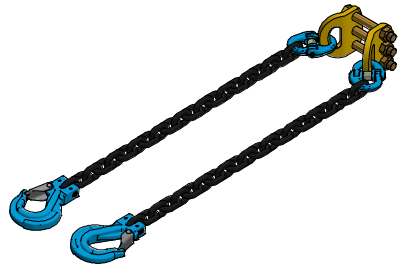
IF YOU HAVE SAFETY CHAINS,
USE LONGER INCLUDED BOLTS.



301100104-R4 Kit	
QTY	DESCRIPTION
6	Bolt Gr. 8 UNC 1" x 5-1/2"
3	Bolt Gr. 8 UNC 1" x 7"
1	Bolt Gr. 8 UNF 1-1/2" x 5-1/2"
2	Comp Bushing 4.00" ID x 4.50" OD x 4.00"
1	Decal - Caution Lift Point
2	Decal - Lift Hook Highlight, Knuckle
1	Decal - Notice Grease Daily
1	Grease_Thrust_Washer_Vertical .pin
9	Nut Gr. 8 UNC 1" Stover Lock
1	Nut Gr. 8 UNF 1-1/2"
1	Seal 4" Pin
1	Vertical Bushing Weldment



301100248 Kit	
QTY	DESCRIPTION
1	Bolt Gr. 8 UNC 1" x 4-1/2"
1	Nut Gr. 8 UNC 1" Stover Lock
1	Thrust Nut (Knuckle)
1	Washer Gr. 8 - 1" Structural



21 LINK SAFETY CHAINS

301100268-R1 Kit	
QTY	DESCRIPTION
2	5/8" Grade 100 Clevis Sling Hook
2	5/8" Grade 100 Coupling Link
3	Bolt Gr. 8 UNC 1" x 7"
2	Chain Grade 100 5/8" 21 Links
2	Knuckle_Safety Chain Ear
3	Nut Gr. 8 UNC 1" Stover Lock

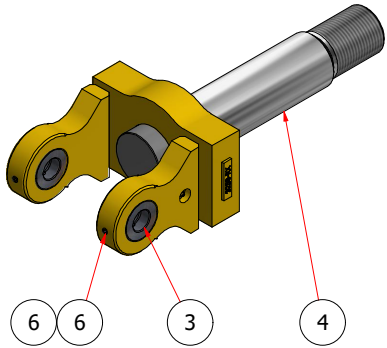


24 LINK SAFETY CHAINS

301100260-R2 Kit	
QTY	DESCRIPTION
2	5/8" Grade 100 Clevis Sling Hook
2	5/8" Grade 100 Coupling Link
3	Bolt Gr. 8 UNC 1" x 7"
2	Chain Grade 100 5/8" 24 Links
2	Knuckle_Safety Chain Ear
3	Nut Gr. 8 UNC 1" Stover Lock

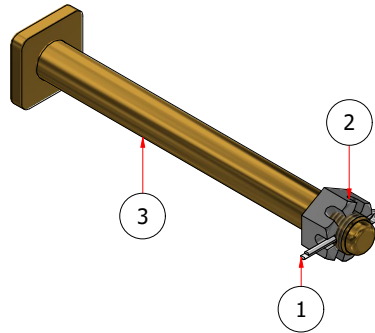
SECTION 1.01 KITS

ASHLAND YOKE

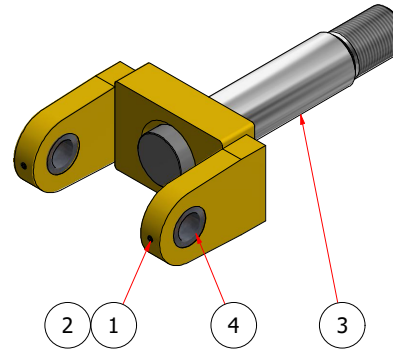


Pin Not Included, Sold Separately

STANDARD 1.5" PIN

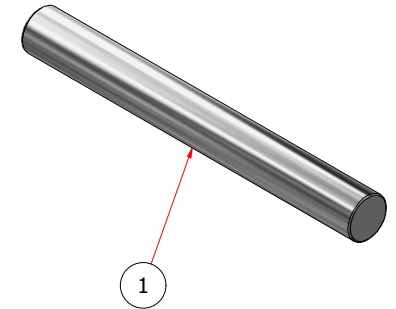


K-TEC



Pin Not Included, Sold Separately

Pin for K-Tec Yoke (ONLY USED WITH K-TEC DRAWBARS)



301003258-R2

ITEM	QTY	PART NUMBER	REV	DESCRIPTION
4	1	201004500_sm_K	3	Shaft for AI Spaced K-Tec Yoke
3	2	211000217_smh_K	0	Yoke, Bushing 1.5" ID 3" OD
6	4	405000121	0	SSS CN 1/2-13 UNC x 5/8"

311100010 Kit

ITEM	QTY	PART NUMBER	REV	DESCRIPTION
1	1	405000002	0	Cotter Pin 1/4" x 3"
2	1	NUT5C_1_1-2 CSTL	0	Nut Gr. 5 UNF 1-1/2" Castle
3	1	311000171_w_PIN	0	PIN ASSY, HITCH 4-EAR

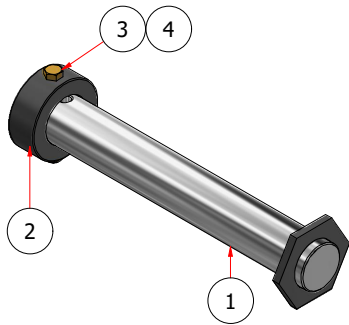
301004500-R2

ITEM	QTY	PART NUMBER	REV	DESCRIPTION
1	2	405000121	0	SSS CN 1/2-13 UNC x 5/8"
2	2	405000122	0	SetScrew 1/2-13 UNC x 3/4" L
3	1	201004500_sm_K	3	Shaft_knuckle longitudinal
4	2	201004041_smh_K	0	Yoke, K-Tec Bushing

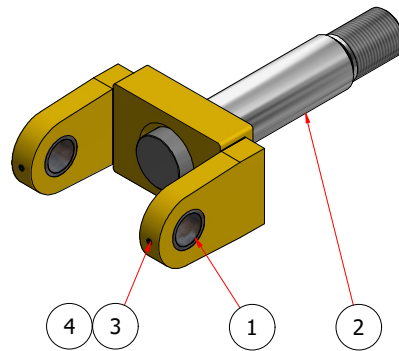
205001668

ITEM	QTY	PART NUMBER	REV	DESCRIPTION
1	1	205001668_s	1	Pin K-Tec Yoke 2" x 17.25"

HITCH PIN, JD 60MM

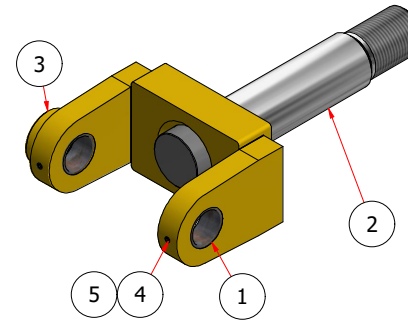


JD 60mm



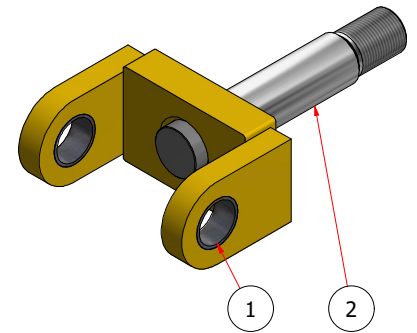
Pin Not Included, Supplied By Customer

JD 65mm



Pin Not Included, Supplied By Customer

E-Ject



Pin Not Included, Supplied By Customer

311100022 Kit

ITEM	QTY	PART NUMBER	REV	DESCRIPTION
1	1	311000465_w_PIN	0	WELDMENT, HITCH PIN
2	1	211000072_sm-CG	0	KEEPER, PIN
3	1	BLT8C_1-2x4_1-2	0	Bolt Gr. 8 UNC 1/2" x 4-1/2"
4	1	NUT8C_1-2_STL	0	Nut Gr. 8 UNC 1/2" Stover Lock

301003261-R1

ITEM	QTY	PART NUMBER	REV	DESCRIPTION
1	2	201001950_smh3K	2	Yoke, JD 60mm Bushings
2	1	201004500_sm_K	3	Shaft_knuckle longitudinal
3	2	405000121	0	SSS CN 1/2-13 UNC x 5/8"
4	2	405000122	0	SetScrew 1/2-13 UNC x 3/4" L

301100249-R1 Kit (301003260 Yoke)

ITEM	QTY	PART NUMBER	REV	DESCRIPTION
1	2	201001939_smh3K	2	Yoke, JD 65mm Bushings
2	1	201004500_sm_K	3	Shaft_knuckle longitudinal
3	1	205050002_sm-CY	1	J.D 65mm pin spacer
4	2	405000121	0	SSS CN 1/2-13 UNC x 5/8"
5	2	405000122	0	SetScrew 1/2-13 UNC x 3/4" L

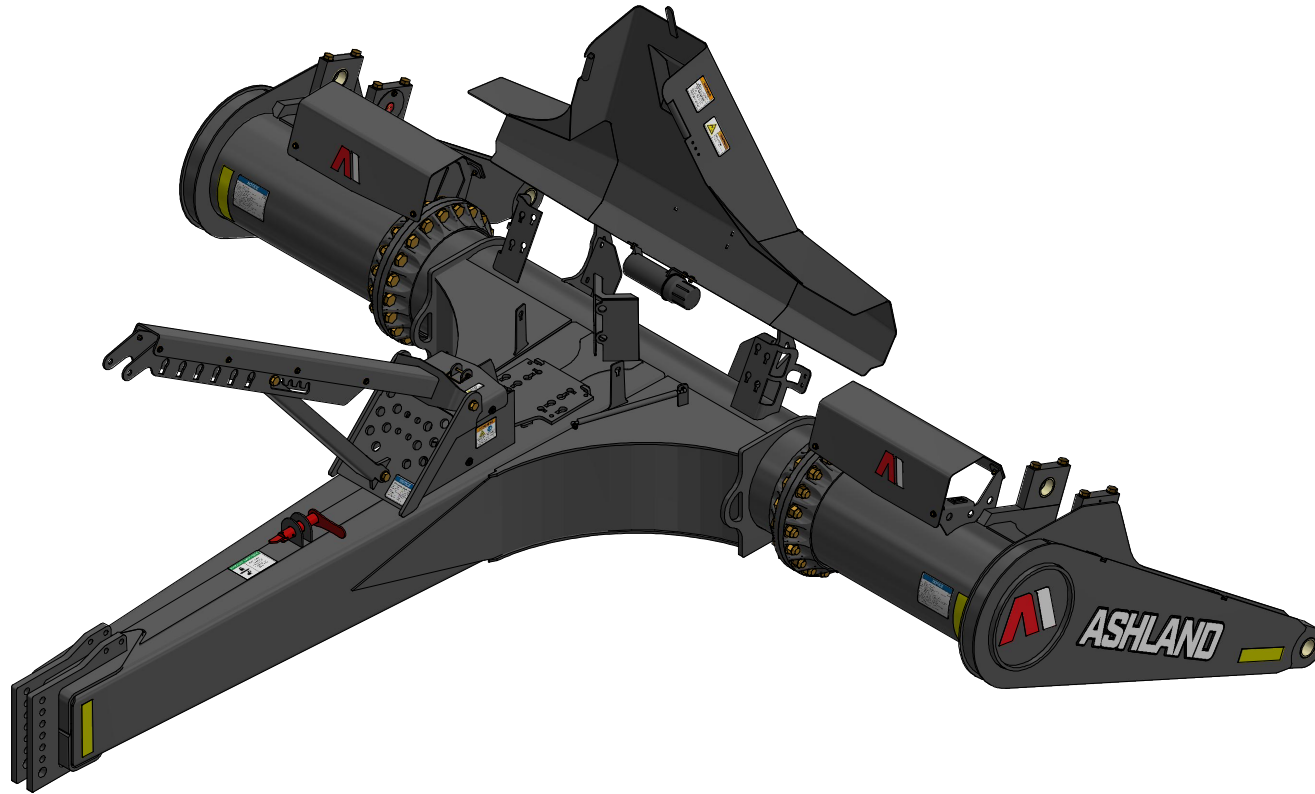
301003259

ITEM	QTY	PART NUMBER	REV	DESCRIPTION
1	2	201002114_smh_K	1	HT Wear Bushing Eject Yoke
2	1	201004500_sm_K	3	Shaft_knuckle longitudinal

SECTION 1.02

STRUCTURAL

2301 1812 FRONT SECTION
(311001049_A_C-CG)
[FULL]



FRONT SECTION COMPONENTS

FRONT SECTION COMPONENTS

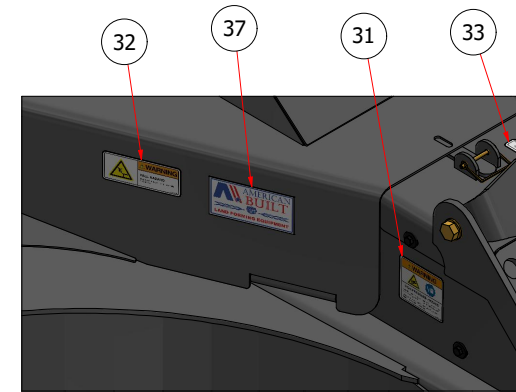
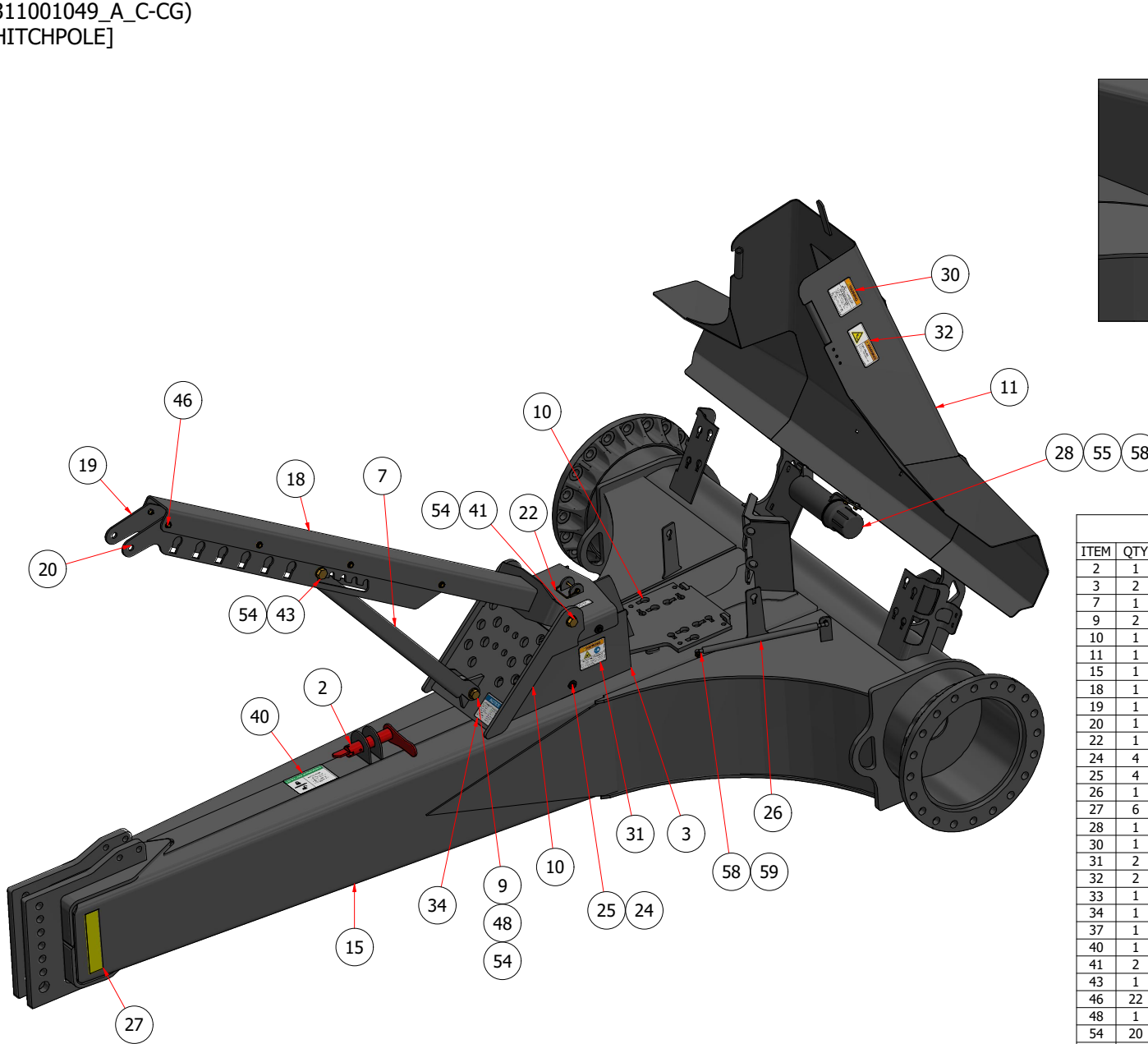
FRONT SECTION COMPONENTS

ITEM	QTY	PART NUMBER	REV	DESCRIPTION	ITEM	QTY	PART NUMBER	REV	DESCRIPTION	ITEM	QTY	PART NUMBER	REV	DESCRIPTION
1	2	400309	C	POLY BUSHING, 2.50 X 3.00 X 2.50	21	4	404000081	A	POLY BUSHING: 2.5" X 3" X 1.5"	41	2	AFB-00005	A	HHCS: 3/4"-10 X 2-1/2", GR8
2	1	600121	A	Lock Pin, Apron Non	22	1	405000012	A	SQR SNAPPER PIN, 1/4" (2.5" USEABLE)	42	2	AFB-00037	A	HHCS: 3/4 X 10-2" Gr. 8 Zinc
3	2	101010072_c_H-CG	A	HYD. SIDE COVER, FRONT SECTION	23	2	405000031	0	Pin Snapper SQR, 3/8" (2.5" Useable)	43	1	AFB-00039	A	HHCS: 3/4 NC X 5-1/2" Gr 8 Zinc
4	2	111000842_c_IJ-CG	B	TRUNNION BLOCK COVER, 3413	24	4	405000041	A	Extruded U Nut, 3/8"-16	44	1	AFB-00064	A	HHCS: 3/4 NC x 3" Gr. 8 Zinc
5	1	111002178_cb_C	B	LH TRAILING ARM GUARD, FS, 1812	25	4	405000101	A	3/8-16 x 1-1/2 Hex Head Body Bolt	45	40	AFB-00086	A	HHCS: 1 NC x 3-1/2" Gr. 8 Zinc
6	1	111002179_cb_C	B	RH TRAILING ARM GUARD, FS, 1812	26	1	405220003	A	HOOD CYL, K-TEC	46	22	AFB-00128	C	HHFB: 3/8"-16 x 1" HEX HEA
7	1	111002182_cb_C-CG	B	HYDRO. BOOM LOCK, FS, 1812	27	6	411000004	0	Decal - Reflective Tape, Yellow	47	2	AFB-00144	A	HHCS: 1/2"-13 NC x 2" Gr 8 Zinc
8	4	211001008_sm_A-CG	B	TRUNNION BLOCK, 1812	28	1	411000029	A	Manual Holder	48	1	AFB-00179	A	HHCS: 3/4"-10 x 5" Hex Cap Screw
9	2	211001032_sm_C	B	HYDRAULIC BOOM SPACER, FS, 1812	29	2	411000034	1	Decal - Notice General	49	8	AFB-00217	A	HHCS: 3/4 NC X 7-1/2" Gr. 8 Zinc
10	1	301004120_w_H-CG	B	Cover Asm_Hyd for common pole	30	1	411000036	1	Decal - Warning Runaway Tractor	50	40	AFN-00037	A	Nut: Top Lock 1" NC
11	1	301004122_w_H-CG	B	HYD. HOOD, FRONT SECTION, 3413	31	2	411000040	2	Decal - Warning High-Pressure Hyd	51	4	AFN-00046	A	Nut: Nylock 3/4"-10
12	1	311000352_w_I-CG	A	INNER GUARD MOUNT, FS, 3413	32	2	411000064	2	Decal - Warning Fall Hazard	52	4	AFW-00009	A	Washer: 1/2", FLAT, USS, ZINC
13	1	311000353_w_J-CG	A	RH INNER GUARD MOUNT, FS, 3413	33	1	411000097	1	Decal - Warning TH Pinch Small	53	80	AFW-00011	A	Washer - 1" SAE Zinc
14	2	311001009_w_IJ-SR	A	TRANSPORT LOCK, 1812	34	1	411000207	0	Decal - Notice Color Code	54	20	AFW-00042	A	3/4" STRUCTURAL WASHER
15	1	311001040_w_H	D	POLE: 1812	35	2	411000274	0	Decal - AI Logo Small	55	3	BLT5C_5-16x3-4_CRG	A	BLT5C_5-16x3-4_CRG
16	1	311001044_w_I	C	LH ARM ASSEMBLY, T-ARMS FS	36	2	411000276	0	Decal - AI Logo Large	56	2	NUT8C_1-2_STL	A	NUT8C_1-2_STL
17	1	311001045_w_J	C	RH ARM ASSEMBLY, T-ARMS FS	37	1	411000277	0	Decal - American Built	57	1	NUT8C_3-4_STL	A	NUT8C_3-4_STL
18	1	311001048_w_C	A	FORMED HYDRO. BOOM, FS, 1812	38	2	411000278	1	Decal - Greaseless Point Round	58	5	NUT8C_5-16_STL	A	NUT8C_5-16_STL
19	1	311001050_w_C-CG	B	LH HOSE HOLDER PLATE, FS, 1812	39	2	411000346	0	Decal - Ashland Wordmark	59	5	WSH8_5-16_STR	A	WSH8_5-16_STR
20	1	311001051_w_C-CG	B	RH HOSE HOLDER PLATE, FS, 1812	40	1	411000355	0	Decal - Safety Lock Instructions					

SECTION 1.02

STRUCTURAL

2301 1812 FRONT SECTION
(311001049_A_C-CG)
[HITCHPOLE]



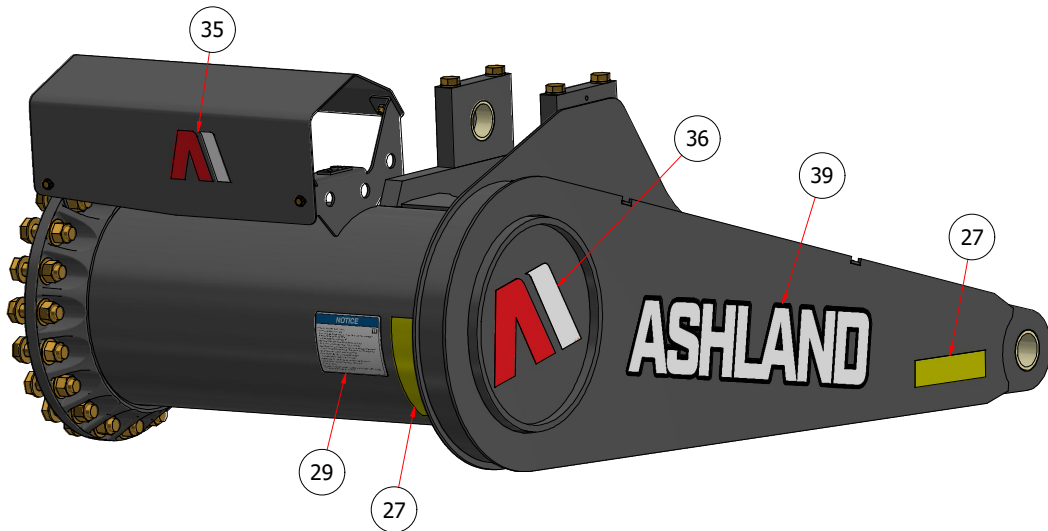
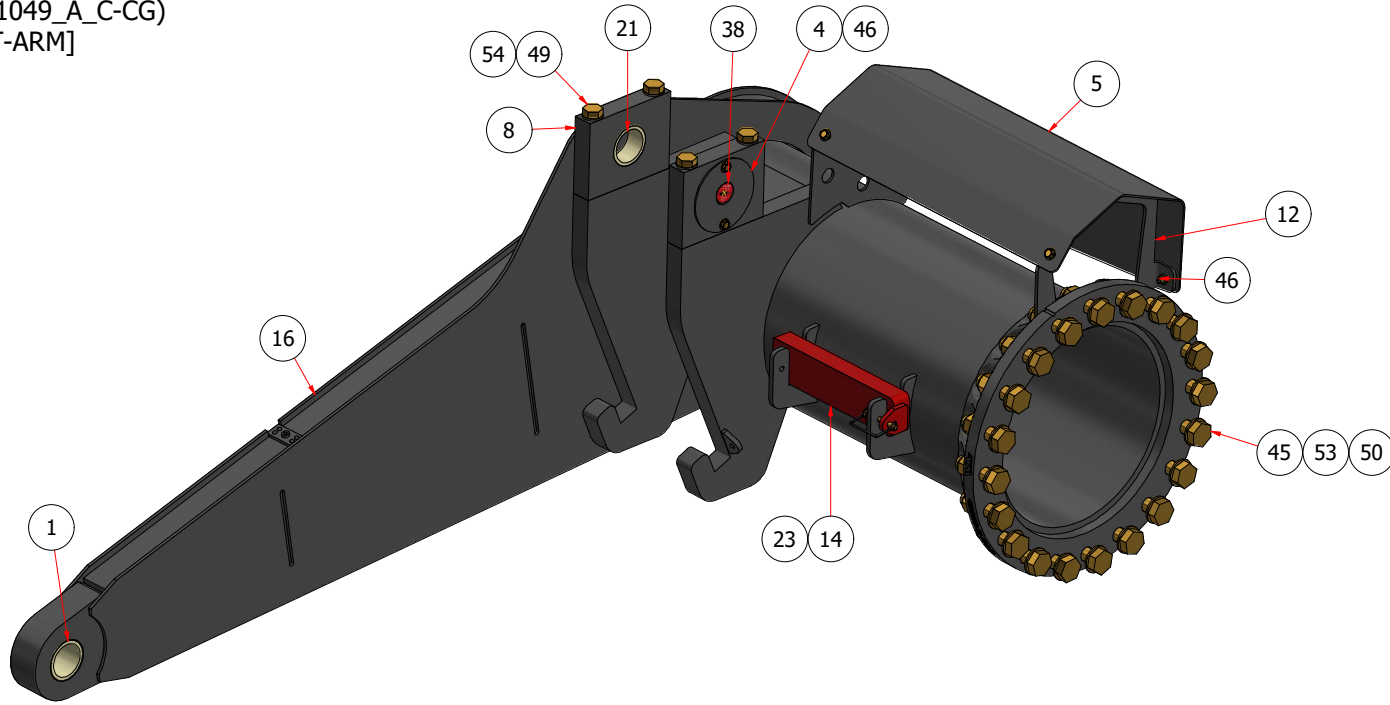
HITCHPOLE COMPONENTS

ITEM	QTY	PART NUMBER	REV	DESCRIPTION
2	1	600121	A	Lock Pin, Apron Non
3	2	101010072_c_H-CG	A	HYD. SIDE COVER, FRONT SECTION
7	1	111002182_cb_C-CG	B	HYDRO. BOOM LOCK, FS, 1812
9	2	211001032_sm_C	B	HYDRAULIC BOOM SPACER, FS, 1812
10	1	301004120_w_H-CG	B	Cover Asm_Hyd for common pole
11	1	301004122_w_H-CG	B	HYD. HOOD, FRONT SECTION, 3413
15	1	311001040_w_H	D	POLE: 1812
18	1	311001048_w_C	A	FORMED HYDRO. BOOM, FS, 1812
19	1	311001050_w_C-CG	B	LH HOSE HOLDER PLATE, FS, 1812
20	1	311001051_w_C-CG	B	RH HOSE HOLDER PLATE, FS, 1812
22	1	405000012	A	SQR SNAPPER PIN, 1/4" (2.5" USEABLE)
24	4	405000041	A	Extruded U Nut, 3/8"-16
25	4	405000101	A	3/8-16 x 1-1/2 Hex Head Body Bolt
26	1	405220003	A	HOOD CYL, K-TEC
27	6	411000004	0	Decal - Reflective Tape, Yellow
28	1	411000029	A	Manual Holder
30	1	411000036	1	Decal - Warning Runaway Tractor
31	2	411000040	2	Decal - Warning High-Pressure Hyd
32	2	411000064	2	Decal - Warning Fall Hazard
33	1	411000097	1	Decal - Warning TH Pinch Small
34	1	411000207	0	Decal - Notice Color Code
37	1	411000277	0	Decal - American Built
40	1	411000355	0	Decal - Safety Lock Instructions
41	2	AFB-00005	A	HHCS: 3/4"-10 X 2-1/2", GR8
43	1	AFB-00039	A	HHCS: 3/4 NC x 5-1/2" Gr 8 Zinc
46	22	AFB-00128	C	HHFB: 3/8"-16 x 1" HEX HEA
48	1	AFB-00179	A	HHCS: 3/4"-10 x 5" Hex Cap Screw
54	20	AFW-00042	A	3/4" STRUCTURAL WASHER
55	3	BLT5C_5-16x3-4_CRG	A	BLT5C_5-16x3-4_CRG
58	5	NUT8C_5-16_STL	A	NUT8C_5-16_STL
59	5	WSH8_5-16_STR	A	WSH8_5-16_STR

SECTION 1.02

STRUCTURAL

2301 1812 FRONT SECTION
(311001049_A_C-G)
[LEFT T-ARM]



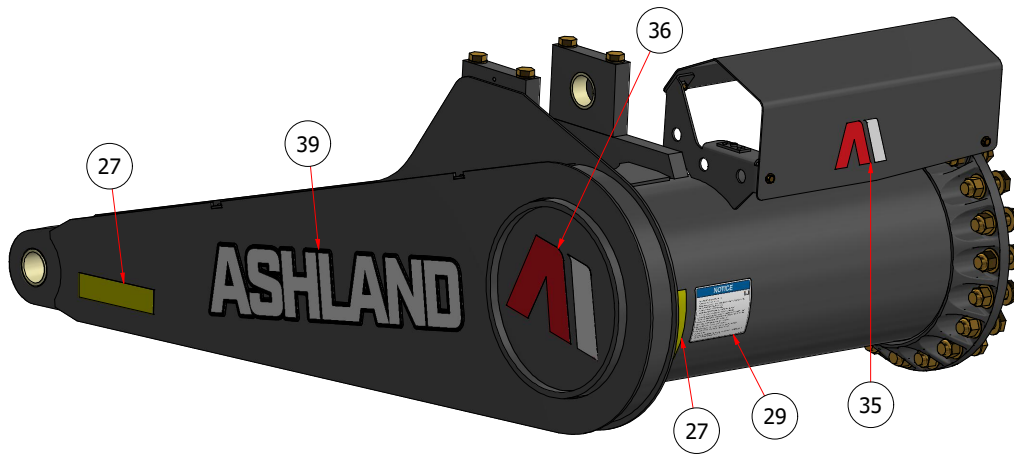
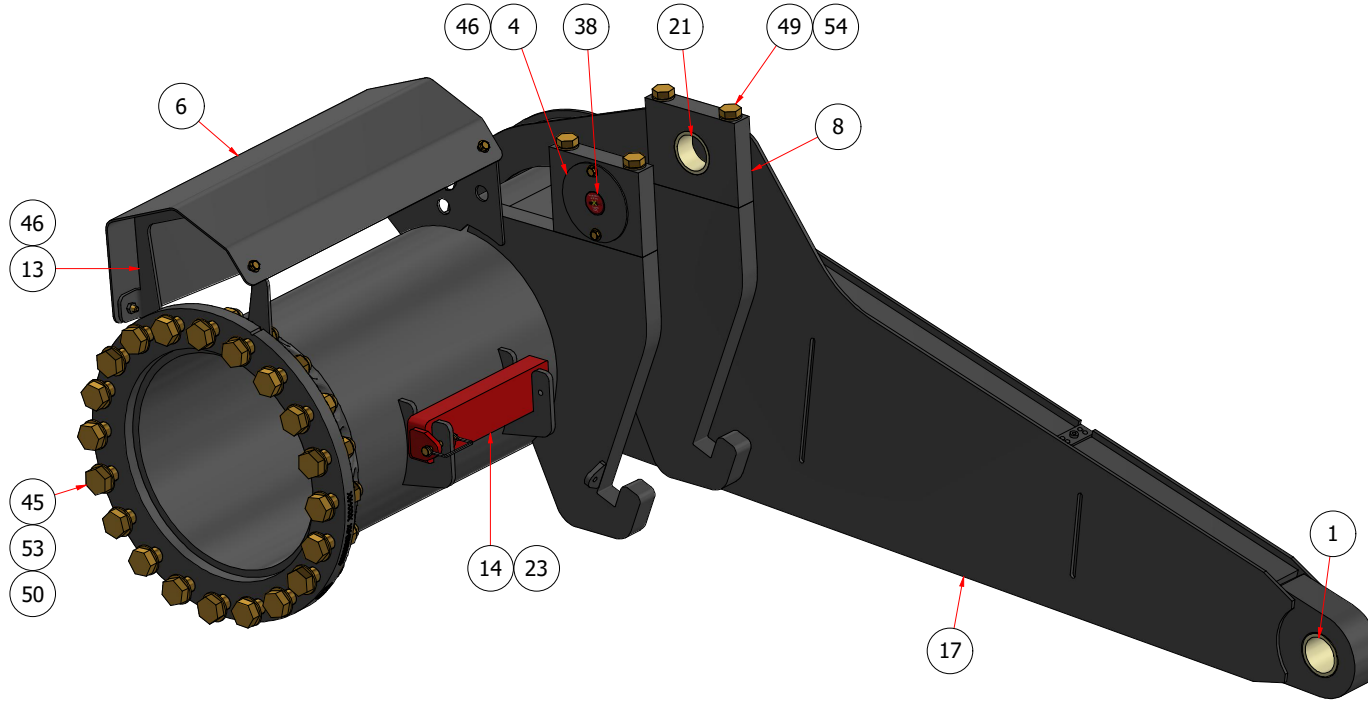
LEFT T-ARM COMPONENTS

ITEM	QTY	PART NUMBER	REV	DESCRIPTION
1	2	400309	C	POLY BUSHING, 2.50 X 3.00 X 2.50
4	2	111000842_c_IJ-CG	B	TRUNNION BLOCK COVER, 3413
5	1	111002178_cb_C	B	LH TRAILING ARM GUARD, FS, 1812
8	4	211001008_sm_A-CG	B	TRUNNION BLOCK, 1812
12	1	311000352_w_I-CG	A	INNER GUARD MOUNT, FS, 3413
14	2	311001009_w_IJ-SR	A	TRANSPORT LOCK, 1812
16	1	311001044_w_I	C	LH ARM ASSEMBLY, T-ARMS FS
21	4	404000081	A	POLY BUSHING: 2.5" X 3" X 1.5"
23	2	405000031	0	Pin Snapper SQR, 3/8" (2.5" Useable)
27	6	411000004	0	Decal - Reflective Tape, Yellow
29	2	411000034	1	Decal - Notice General
35	2	411000274	0	Decal - AI Logo Small
36	2	411000276	0	Decal - AI Logo Large
38	2	411000278	1	Decal - Greaseless Point Round
39	2	411000346	0	Decal - Ashland Wordmark
45	40	AFB-00086	A	HHCS: 1 NC x 3-1/2" Gr. 8 Zinc
46	22	AFB-00128	C	HHFB: 3/8"-16 x 1" HEX HEA
49	8	AFB-00217	A	HHCS: 3/4 NC X 7-1/2" Gr. 8 Zinc
50	40	AFN-00037	A	Nut: Top Lock 1" NC
53	80	AFW-00011	A	Washer - 1" SAE Zinc
54	20	AFW-00042	A	3/4" STRUCTURAL WASHER

SECTION 1.02

STRUCTURAL

2301 1812 FRONT SECTION
(311001049_A_C-CG)
[RIGHT T-ARM]



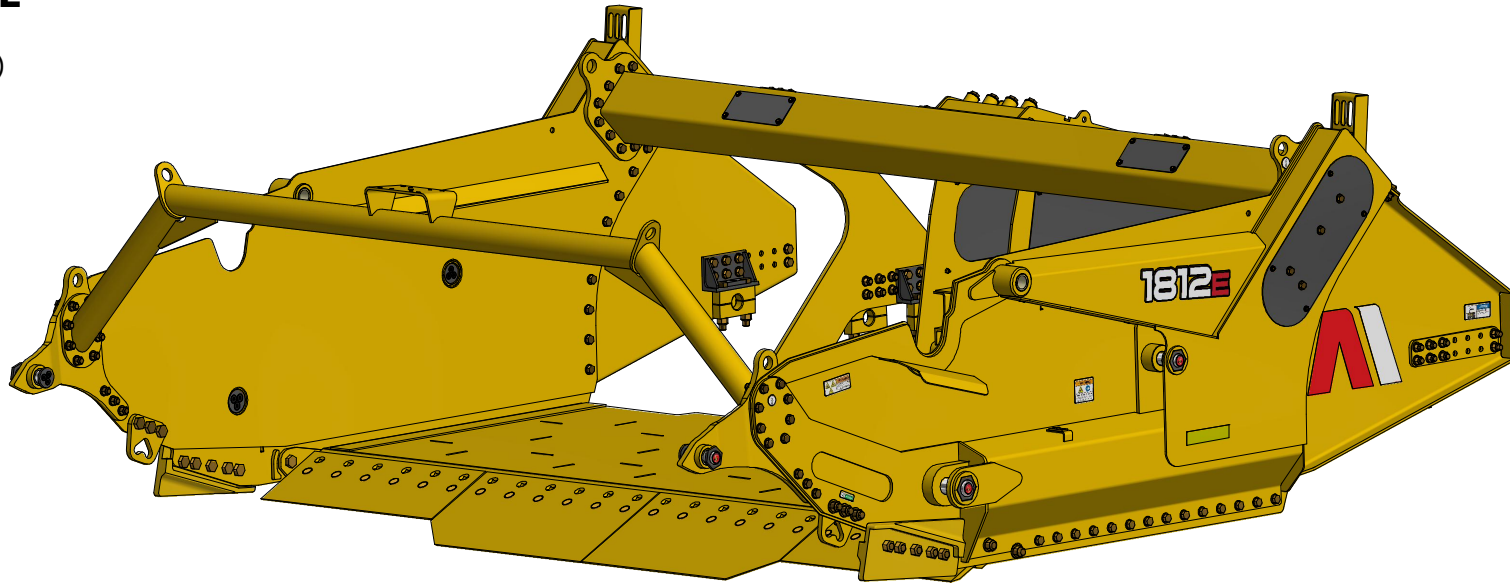
RIGHT T-ARM COMPONENTS

ITEM	QTY	PART NUMBER	REV	DESCRIPTION
1	2	400309	C	POLY BUSHING, 2.50 X 3.00 X 2.50
4	2	111000842_c_IJ-CG	B	TRUNNION BLOCK COVER, 3413
6	1	111002179_cb_C	B	RH TRAILING ARM GUARD, FS, 1812
8	4	211001008_sm_A-CG	B	TRUNNION BLOCK, 1812
13	1	311000353_w_J-CG	A	RH INNER GUARD MOUNT, FS, 3413
14	2	311001009_w_IJ-SR	A	TRANSPORT LOCK, 1812
17	1	311001045_w_J	C	RH ARM ASSEMBLY, T-ARMS FS
21	4	404000081	A	POLY BUSHING: 2.5" X 3" X 1.5"
23	2	405000031	0	Pin Snapper SQR, 3/8" (2.5" Useable)
27	6	411000004	0	Decal - Reflective Tape, Yellow
29	2	411000034	1	Decal - Notice General
35	2	411000274	0	Decal - AI Logo Small
36	2	411000276	0	Decal - AI Logo Large
38	2	411000278	1	Decal - Greaseless Point Round
39	2	411000346	0	Decal - Ashland Wordmark
45	40	AFB-00086	A	HHCS: 1 NC x 3-1/2" Gr. 8 Zinc
46	22	AFB-00128	C	HHFB: 3/8"-16 x 1" HEX HEA
49	8	AFB-00217	A	HHCS: 3/4 NC X 7-1/2" Gr. 8 Zinc
50	40	AFN-00037	A	Nut: Top Lock 1" NC
53	80	AFW-00011	A	Washer - 1" SAE Zinc
54	20	AFW-00042	A	3/4" STRUCTURAL WASHER

SECTION 1.03

STRUCTURAL

2301 1812 SHELL
(311001033_A_S-CY)
[FULL]



SHELL COMPONENTS					SHELL COMPONENTS					SHELL COMPONENTS				
ITEM	QTY	PART NUMBER	REV	DESCRIPTION	ITEM	QTY	PART NUMBER	REV	DESCRIPTION	ITEM	QTY	PART NUMBER	REV	DESCRIPTION
3	2	111000551_cm_N-CG	C	PIN END CAP, 3213	35	1	311001060_w_T	A	HIGH CLEARANCE TAIL, 2114 / 1812	69	89	AFB-00005	A	HHCS: 3/4"-10 X 2-1/2", GRADE 8
4	2	111000647_c_T-CG	C	SIDE REAR TRUSS GUARD, 3413	37	1	311001090_w_X_S	A	LH SIDE WALL, BOWL, 2114	71	6	AFB-00018	C	HHCS: 1 NC x 3" Gr. 8 Zinc
5	2	111000653_c_E-CG	A	3/16" TAIL SLIDER BLOCK SHIM	38	1	311001091_w_Y_S	A	RH SIDE WALL, BOWL, 2114	72	1	AFB-00030	A	HHCS: 3/8 NC x 2-1/2 Gr. 5 Zinc
6	2	111000663_c_E-CG	A	3/16" SLIDER BLOCK SHIM, PUSH OFF, 3413	39	2	311001094_w_PIN-CG	A	LIFT PIN, 2114	74	14	AFB-00036	A	HHCS: 1 NC x 2-1/2" Gr 8 Zinc
7	2	111000711_c_E-CG	E	SLIDER BLOCK SHIM, PUSH OFF, 3413	41	1	311001104_w_L_S	A	FRONT CROSS PIPE, SHELL, 1812	75	18	AFB-00037	A	HHCS: 3/4 X 10-2" Gr. 8 Zinc
8	2	111000712_c_E-CG	C	TAIL SLIDER BLOCK SIM, PUSH OFF, 3413	42	1	311001106_w_S	A	LH FRONT LIFT EAR, SHELL, 2114	76	8	AFB-00047	B	HHCS: 5/8 NC x 2" Gr 8 Zinc
9	20	111001040_c_T-CG	C	AXLE BLOCK SHIM, 3413	43	1	311001107_w_S	A	RH FRONT LIFT EAR, SHELL, 2114	77	8	AFB-00048	B	HHCS: 3/4"-10 x 1-3/4" GR 8 ZINC
10	2	111001043_c_XY-CG	D	HYDRAULIC COVER, BOWL SIDES, 3413	44	4	400355	A	POLY BUSHING, 2.00 X 2.50 X 2.13	78	6	AFB-00064	A	HHCS: 3/4 NC x 3" Gr. 8 Zinc
11	1	111001059_c_T-CG	A	LARGE TAIL COVER W. 3/8" BOLTS, 3413	45	2	404000003	A	POLY BUSHING: 2" ID, 2.5" OD, 3" LENGTH	79	16	AFB-00097	A	HHCS: 3/4 NC x 3-1/2" Gr. 8 Zinc
12	4	111002009_cm_N-CG	A	PIN CAP FOR 2" PIN, 1.25" DIA. BOLT CIRCLE	46	4	405000135	0	#4 x 5/16" U-Drive Screw, Round Head,	80	4	AFB-00099	A	HHCS: 3/4 NC X 7" Gr. 8 Zinc
13	2	111002010_c_A-CY	A	TIRE MOUNT DOUBLER, OUTER TRUSS, 1812	47	2	411000003	0	Decal - Reflective Tape, Red	81	39	AFB-00128	C	HHFB: 3/8"-16 x 1" HEX HEAD
15	2	111002128_c_S-CY	B	REAR CROSS TUBE COVER, BOWL, 1812	48	2	411000004	0	Decal - Reflective Tape, Yellow	82	4	AFB-00143	A	HHCS: 1/2"-13 NC X 1" Gr. 8 Zinc
16	1	111002129_cm_S	A	CENTER TRUSS MOUNTING BAR, BOWL, 1812	49	2	411000040	2	Decal - Warning High-Pressure Hyd	83	12	AFB-00195	A	SHCS: 1/2" - 13 x 1 1/2" HEX HEAD
17	2	111002130_cm_S	A	BOTTOM ROW TRUSS NUT, BOWL, 1812	50	1	411000097	1	Decal - Warning TH Pinch Small	84	6	AFB-00200	A	FSCS: 5/8"-11 x 1 1/2" HEX HEAD
18	2	111002214_c_T-CG	A	SIDE GUARD, HIGH CLEARANCE TAIL, 2114	51	2	411000102	1	Decal - Safety Tie Down	85	20	AFB-00215	A	HHCS: 3/4 NC x 1-1/2" Gr. 8 Zinc
19	2	111002291_c_A-CY	A	BOLT ON TIE DOWN POINT, 2114	53	2	411000261	0	Decal - Warning, Crush Hazard	86	36	AFB-00218	A	HHCS: 3/4 NC x 2-3/4" Gr. 8 Zinc
20	16	211000174_sm_W-CY	C	AXLE BLOCK, 3413	54	1	411000263	0	Decal - Ashland Serial Plate (K-Tec Mfg.)	88	10	AFN-00012	A	1" NC NUT
21	2	211001023_sm_S	B	TOP ROW TRUSS MOUNT BAR, BOWL	55	1	411000276	0	Decal - AI Logo Large	89	24	AFN-00019	A	7/8" NC NUT
22	2	211001024_sm_S	B	BOT ROW TRUSS MOUNT BAR, BOWL	56	6	411000278	1	Decal - Greaseless Point Round	90	2	AFN-00022	A	Nut: 1/2" NF G5 5 ZINC
23	2	211001060_sm_S	A	OUTER TRUSS NUT, SHELL, 2114	57	2	411000279	0	Decal - AI Logo Extra Large	91	4	AFN-00037	A	Nut: Top Lock 1" NC
24	2	311000292_w_PIN-CG	B	LIFT AND APRON BASE END PIN, 3413	58	4	411000281	0	Decal - Lift Point Round	92	1	AFN-00044	A	Nut: Nylock 3/8" NC
25	1	311001001_w_A-CY	C	PUSH OFF CYLINDER EARS, 1812	59	2	411000330	0	Decal - Notice Grease 50hrs Ashland	93	40	AFN-00046	A	Nut: Nylock 3/4"-10
26	2	311001006_w_PIN-CG	A	APRON CYL. BASE END PIN, 1812	60	2	411000347	0	Decal - Model 1812E Badge	94	70	AFN-00062	A	Nut: Top Lock 3/4"-10 NC Gr. 8 Zinc
27	1	311001007_w_PIN-CG	A	HEX PIN, PUSH OFF, 1812	62	2	413000115	A	OUTER BLADE, 1233	95	22	AFN-00077	A	Nut: Nylock 1" NC
29	8	311001011_w_A-CG	A	AXLE MOUNT, 1812	63	1	413000140	A	LH CENTER BLADE, 1233	96	8	AFN-00081	B	Nut: Nylock 5/8"-11
30	1	311001023_w_F_S	D	FLOOR, BOWL, 1812	64	1	413000141	A	RH CENTER BLADE, 1233	97	4	AFW-00007	A	3/4" WASHER
31	2	311001026_w_T_S	A	PLATE TRUSS, BOWL, 1812	65	2	500836	B	WASHER, LIGHT MOUNT I-200	98	4	AFW-00009	A	Washer: 1/2", FLAT, USS, ZINC
32	1	311001028_w_S	A	FIXED AXLE REAR CROSS PIPE, 1812	66	2	600909	A	LIGHT HOUSING, BOLT-ON	99	10	AFW-00011	A	Washer - 1" SAE Zinc
33	1	311001030_w_S	A	LH FORMED TRUSS ASSEMBLY, 1812	67	2	A123357	B	BLADE: CAST ROUTER BIT	100	301	AFW-00042	A	3/4" STRUCTURAL WASHER
34	1	311001031_w_S	A	RH FORMED TRUSS ASSEMBLY, 1812	68	16	AFB-00001	A	HHCS, 1-8 NC x 6.5" LG GR8	101	8	AFW-00043	A	Washer: 5/8" Thru Hardened,
										104	24	BLT8C_7-8x2_3-4_PLW	A	7/8" X 3/4" X 2-3/4" PLOW BOLT, 1233

SECTION 1.03

STRUCTURAL

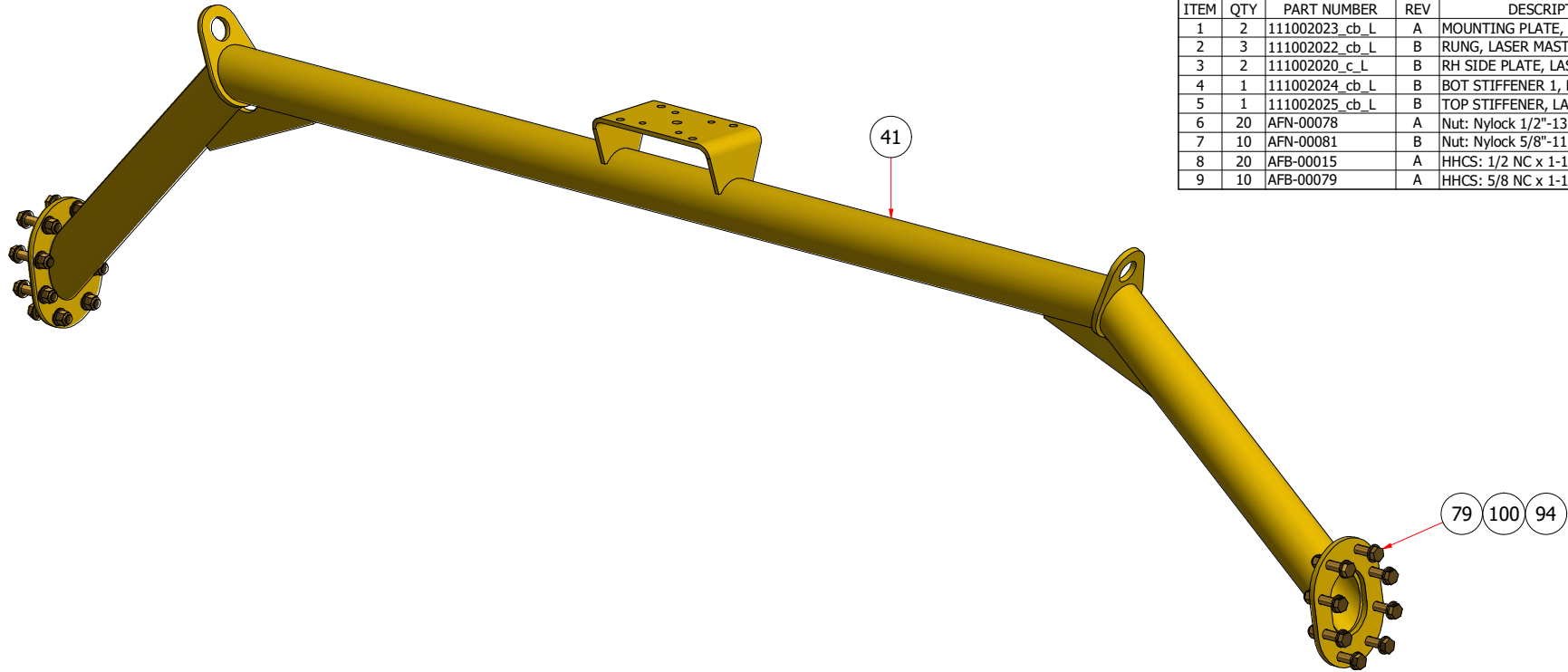
2301 1812 SHELL
 (311001033_A_S-CY)
 [LASER MOUNT]



OPTIONAL LASER MAST

311001013_A

ITEM	QTY	PART NUMBER	REV	DESCRIPTION
1	2	111002023_cb_L	A	MOUNTING PLATE, LASER MAST
2	3	111002022_cb_L	B	RUNG, LASER MAST
3	2	111002020_c_L	B	RH SIDE PLATE, LASER MAST
4	1	111002024_cb_L	B	BOT STIFFENER 1, LASER MAST
5	1	111002025_cb_L	B	TOP STIFFENER, LASER MAST
6	20	AFN-00078	A	Nut: Nylock 1/2"-13
7	10	AFN-00081	B	Nut: Nylock 5/8"-11
8	20	AFB-00015	A	HHCS: 1/2 NC x 1-1/2" Gr. 8 Zinc
9	10	AFB-00079	A	HHCS: 5/8 NC x 1-1/2" Gr. 8 Zinc



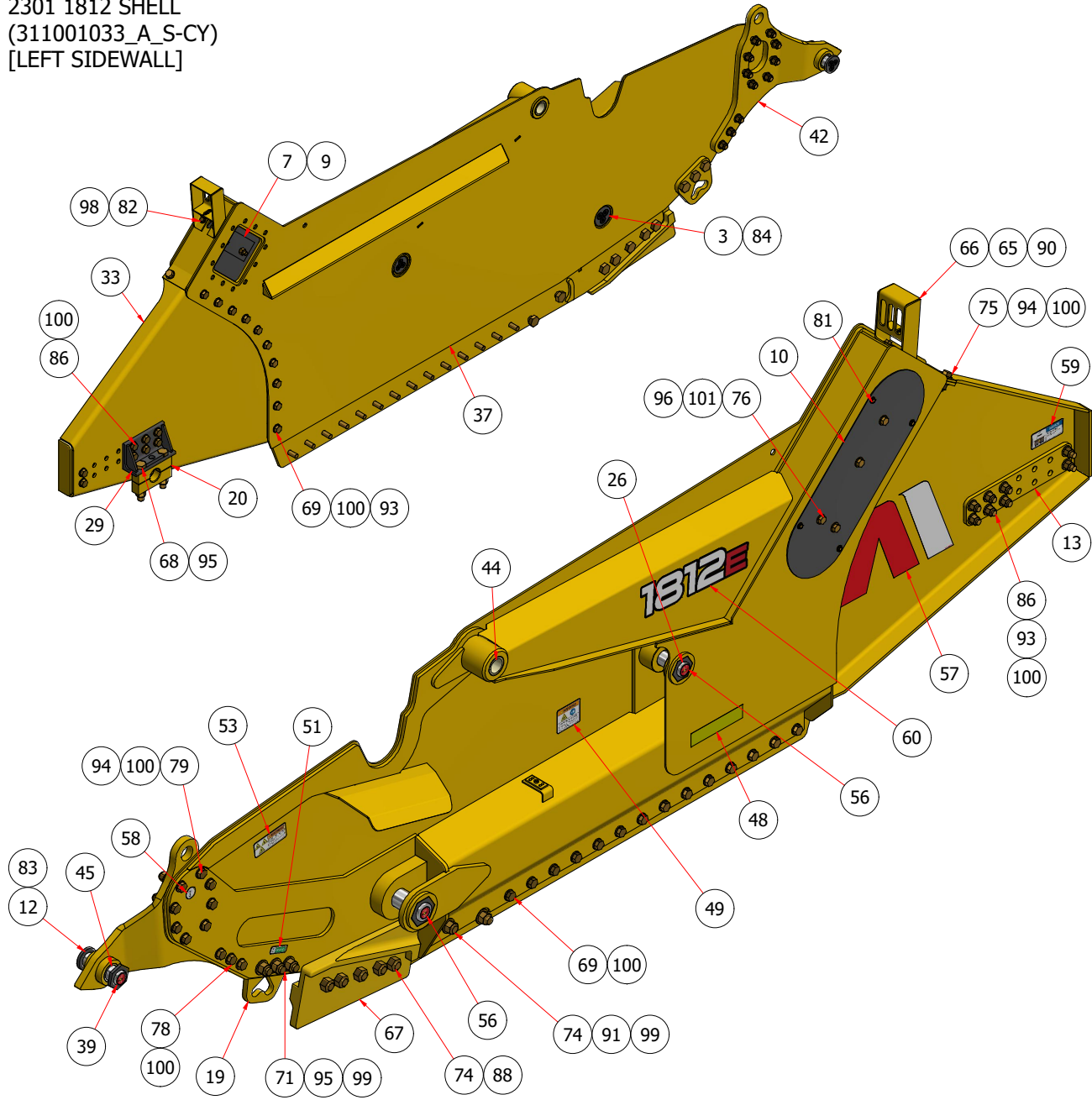
LASER MOUNT COMPONENTS

ITEM	QTY	PART NUMBER	REV	DESCRIPTION
41	1	311001104_w_L_S	A	FRONT CROSS PIPE, SHELL, 1812
79	16	AFB-00097	A	HHCS: 3/4 NC x 3-1/2" Gr. 8 Zinc
94	70	AFN-00062	A	Nut: Top Lock 3/4"-10 NC Gr. 8 Zinc
100	301	AFW-00042	A	3/4" STRUCTURAL WASHER

SECTION 1.03

STRUCTURAL

2301 1812 SHELL
(311001033_A_S-CY)
[LEFT SIDEWALL]



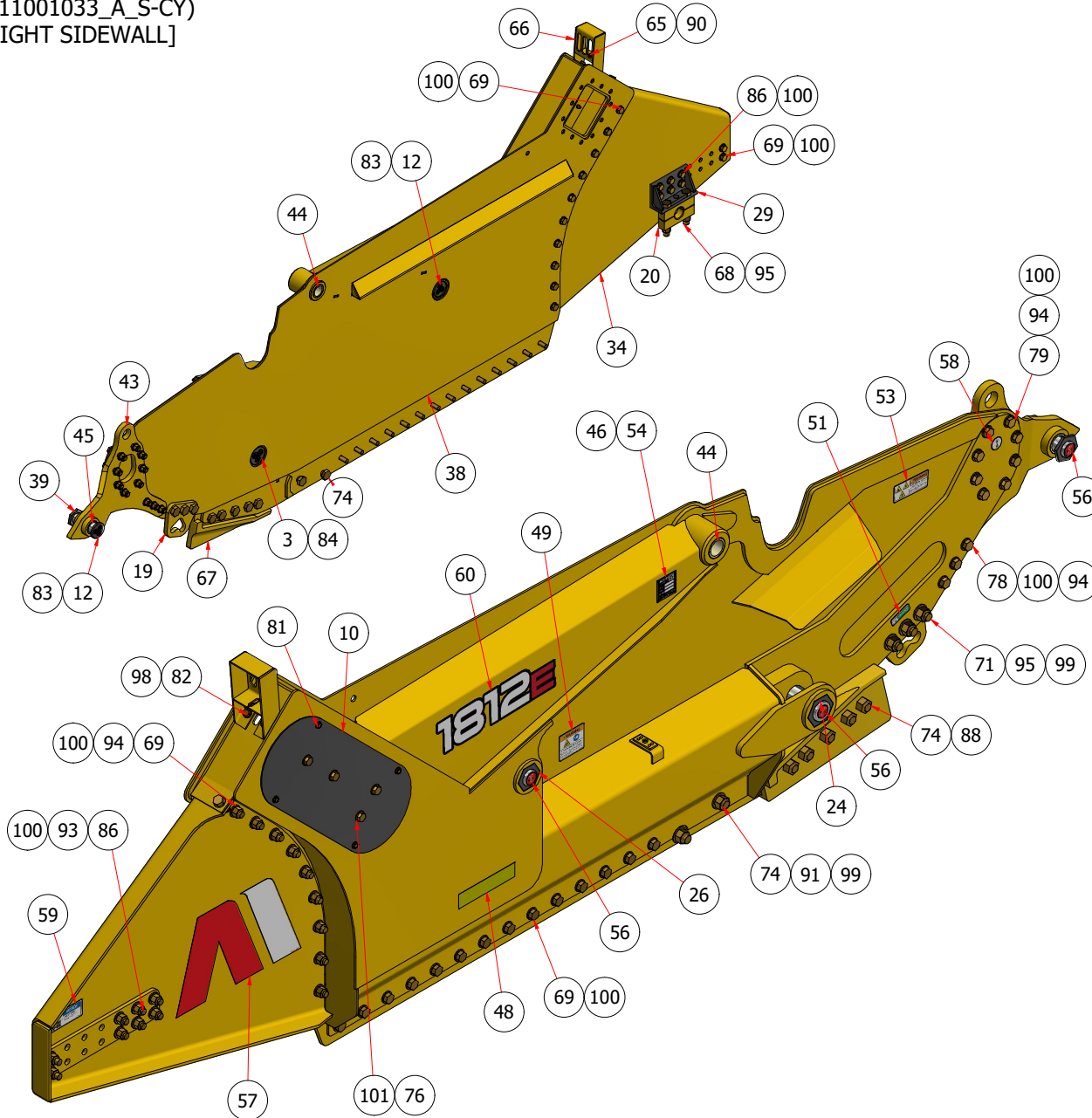
LEFT SIDEWALL COMPONENTS

ITEM	QTY	PART NUMBER	REV	DESCRIPTION
3	2	111000551_cm_N-CG	C	PIN END CAP, 3213
7	2	111000711_c_E-CG	E	SLIDER BLOCK SHIM, PUSH OFF, 3413
10	2	111001043_c_XY-CG	D	HYDRAULIC COVER, BOWL SIDES, 3413
12	4	111002009_cm_N-CG	A	PIN CAP FOR 2" PIN, 1.25" DIA. BOLT CIRCLE
13	2	111002010_c_A-CY	A	TIRE MOUNT DOUBLER, OUTER TRUSS, 1812
19	2	111002291_c_A-CY	A	BOLT ON TIE DOWN POINT, 2114
20	16	211000174_sm_W-CY	C	AXLE BLOCK, 3413
24	2	311000292_w_PIN-CG	B	LIFT AND APRON BASE END PIN, 3413
26	2	311001006_w_PIN-CG	A	APRON CYL. BASE END PIN, 1812
29	8	311001011_w_A-CG	A	AXLE MOUNT, 1812
33	1	311001030_w_S	A	LH FORMED TRUSS ASSEMBLY, 1812
37	1	311001090_w_X_S	A	LH SIDE WALL, BOWL, 2114
39	2	311001094_w_PIN-CG	A	LIFT PIN, 2114
42	1	311001106_w_S	A	LH FRONT LIFT EAR, SHELL, 2114
44	4	400355	A	POLY BUSHING, 2.00 X 2.50 X 2.13
45	2	404000003	A	POLY BUSHING: 2" ID, 2.5" OD, 3" LENGTH
48	2	411000004	0	Decal - Reflective Tape, Yellow
49	2	411000040	2	Decal - Warning High-Pressure Hyd
51	2	411000102	1	Decal - Safety Tie Down
53	2	411000261	0	Decal - Warning, Crush Hazard
56	6	411000278	1	Decal - Greaseless Point Round
57	2	411000279	0	Decal - AI Logo Extra Large
58	4	411000281	0	Decal - Lift Point Round
59	2	411000330	0	Decal - Notice Grease 50hrs Ashland
60	2	411000347	0	Decal - Model 1812E Badge
65	2	500836	B	WASHER, LIGHT MOUNT I-200
66	2	600909	A	LIGHT HOUSING, BOLT-ON
67	2	A123357	B	BLADE: CAST ROUTER BIT
68	16	AFB-00001	A	HHCS, 1-8 NC x 6.5" LG GR8
69	89	AFB-00005	A	HHCS: 3/4"-10 X 2-1/2", GRADE 8
71	6	AFB-00018	C	HHCS: 1 NC x 3" Gr. 8 Zinc
74	14	AFB-00036	A	HHCS: 1 NC x 2-1/2" Gr 8 Zinc
75	18	AFB-00037	A	HHCS: 3/4 X 10-2" Gr. 8 Zinc
76	8	AFB-00047	B	HHCS: 5/8 NC x 2" Gr 8 Zinc
78	6	AFB-00064	A	HHCS: 3/4 NC x 3" Gr. 8 Zinc
81	39	AFB-00128	C	HHFB: 3/8"-16 x 1" HEX HEAD
82	4	AFB-00143	A	HHCS: 1/2"-13 NC X 1" Gr. 8 Zinc
83	12	AFB-00195	A	SHCS: 1/2" - 13 x 1 1/2" HEX HEAD
84	6	AFB-00200	A	FSCS: 5/8"-11 x 1 1/2" HEX HEAD
86	36	AFB-00218	A	HHCS: 3/4 NC x 2-3/4" Gr. 8 Zinc
88	10	AFN-00012	A	1" NC NUT
90	2	AFN-00022	A	Nut: 1/2" NF G5 5 ZINC
91	4	AFN-00037	A	Nut: Top Lock 1" NC
93	40	AFN-00046	A	Nut: Nylock 3/4"-10
95	22	AFN-00077	A	Nut: Nylock 1" NC
96	8	AFN-00081	B	Nut: Nylock 5/8"-11
98	4	AFW-00009	A	Washer: 1/2", FLAT, USS, ZINC
99	10	AFW-00011	A	Washer - 1" SAE Zinc
100	301	AFW-00042	A	3/4" STRUCTURAL WASHER
101	8	AFW-00043	A	Washer: 5/8" Thru Hardened,

SECTION 1.03

STRUCTURAL

2301 1812 SHELL
(311001033_A_S-CY)
[RIGHT SIDEWALL]



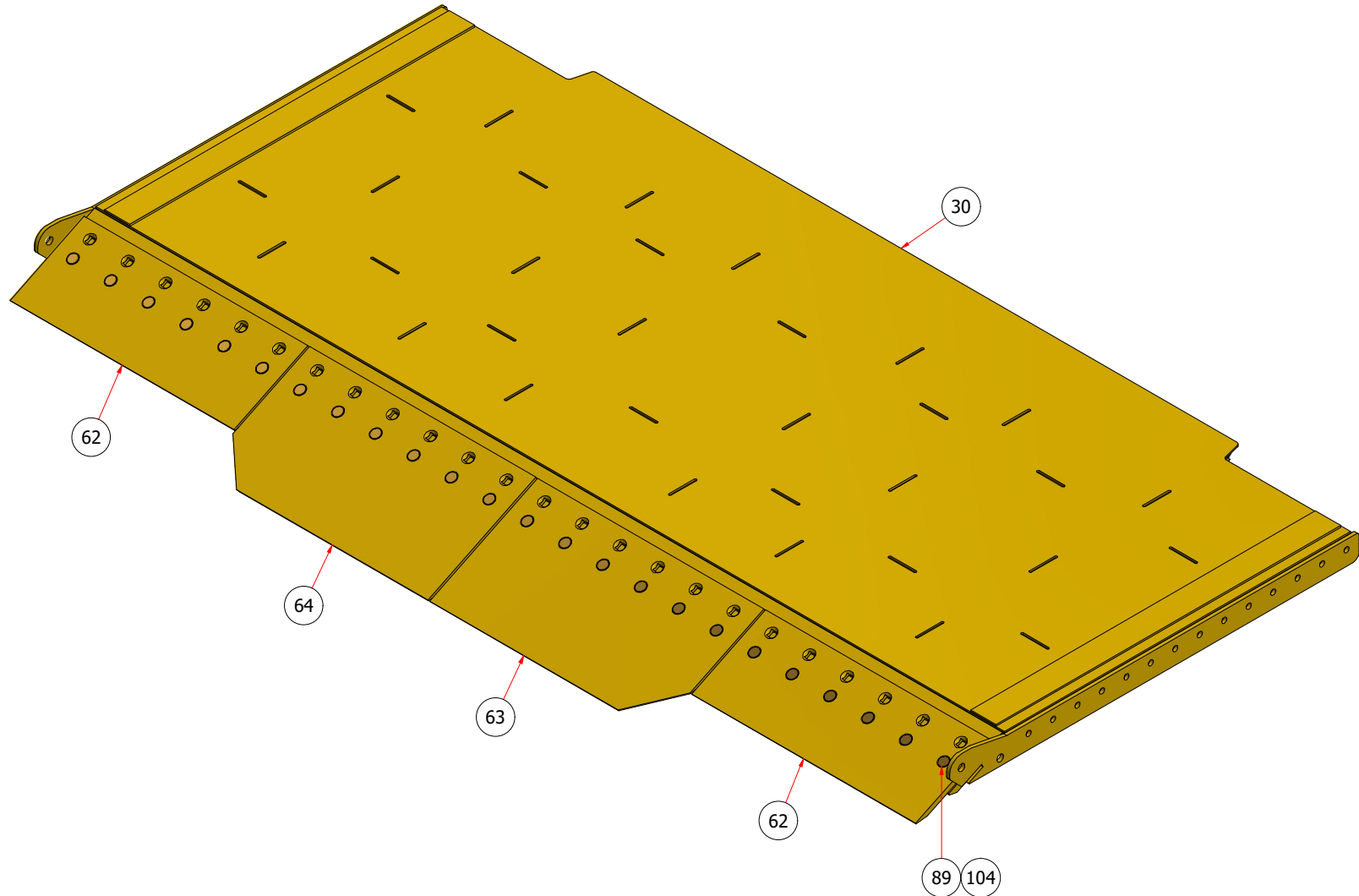
LEFT SIDEWALL COMPONENTS

ITEM	QTY	PART NUMBER	REV	DESCRIPTION
3	2	111000551_cm_N-CG	C	PIN END CAP, 3213
10	2	111001043_c_XY-CG	D	HYDRAULIC COVER, BOWL SIDES, 3413
12	4	111002009_cm_N-CG	A	PIN CAP FOR 2" PIN, 1.25" DIA. BOLT CIRCLE
13	2	111002010_c_A-CY	A	TIRE MOUNT DOUBLER, OUTER TRUSS, 1812
19	2	111002291_c_A-CY	A	BOLT ON TIE DOWN POINT, 2114
20	16	211000174_sm_W-CY	C	AXLE BLOCK, 3413
24	2	311000292_w_PIN-CG	B	LIFT AND APRON BASE END PIN, 3413
26	2	311001006_w_PIN-CG	A	APRON CYL. BASE END PIN, 1812
29	8	311001011_w_A-CG	A	AXLE MOUNT, 1812
34	1	311001031_w_S	A	RH FORMED TRUSS ASSEMBLY, 1812
38	1	311001091_w_Y_S	A	RH SIDE WALL, BOWL, 2114
39	2	311001094_w_PIN-CG	A	LIFT PIN, 2114
43	1	311001107_w_S	A	RH FRONT LIFT EAR, SHELL, 2114
44	4	400355	A	POLY BUSHING, 2.00 X 2.50 X 2.13
45	2	404000003	A	POLY BUSHING: 2" ID, 2.5" OD, 3" LENGTH
46	4	405000135	0	#4 x 5/16" U-Drive Screw, Round Head,
49	2	411000040	2	Decal - Warning High-Pressure Hyd
51	2	411000102	1	Decal - Safety Tie Down
53	2	411000261	0	Decal - Warning, Crush Hazard
54	1	411000263	0	Decal - Ashland Serial Plate (K-Tec Mfg.)
56	6	411000278	1	Decal - Greaseless Point Round
57	2	411000279	0	Decal - AI Logo Extra Large
58	4	411000281	0	Decal - Lift Point Round
59	2	411000330	0	Decal - Notice Grease 50hrs Ashland
60	2	411000347	0	Decal - Model 1812E Badge
65	2	500836	B	WASHER, LIGHT MOUNT I-200
66	2	600909	A	LIGHT HOUSING, BOLT-ON
67	2	A123357	B	BLADE: CAST ROUTER BIT
68	16	AFB-00001	A	HHCS, 1-8 NC x 6.5" LG GR8
69	89	AFB-00005	A	HHCS: 3/4"-10 X 2-1/2", GRADE 8
71	6	AFB-00018	C	HHCS: 1 NC x 3" Gr. 8 Zinc
74	14	AFB-00036	A	HHCS: 1 NC x 2-1/2" Gr 8 Zinc
75	18	AFB-00037	A	HHCS: 3/4 X 10-2" Gr. 8 Zinc
76	8	AFB-00047	B	HHCS: 5/8 NC x 2" Gr 8 Zinc
78	6	AFB-00064	A	HHCS: 3/4 NC x 3" Gr. 8 Zinc
81	39	AFB-00128	C	HHFB: 3/8"-16 x 1" HEX HEAD
82	4	AFB-00143	A	HHCS: 1/2"-13 NC X 1" Gr. 8 Zinc
83	12	AFB-00195	A	SHCS: 1/2" - 13 x 1 1/2" HEX HEAD
84	6	AFB-00200	A	FSCS: 5/8"-11 x 1 1/2" HEX HEAD
86	36	AFB-00218	A	HHCS: 3/4 NC x 2-3/4" Gr. 8 Zinc
88	10	AFN-00012	A	1" NC NUT
90	2	AFN-00022	A	Nut: 1/2" NF G5 5 ZINC
91	4	AFN-00037	A	Nut: Top Lock 1" NC
93	40	AFN-00046	A	Nut: Nylock 3/4"-10
95	22	AFN-00077	A	Nut: Nylock 1" NC
98	4	AFW-00009	A	Washer: 1/2", FLAT, USS, ZINC
99	10	AFW-00011	A	Washer - 1" SAE Zinc
101	8	AFW-00043	A	Washer: 5/8" Thru Hardened,

SECTION 1.03

STRUCTURAL

2301 1812 SHELL
 (311001033_A_S-CY)
 [FLOOR]

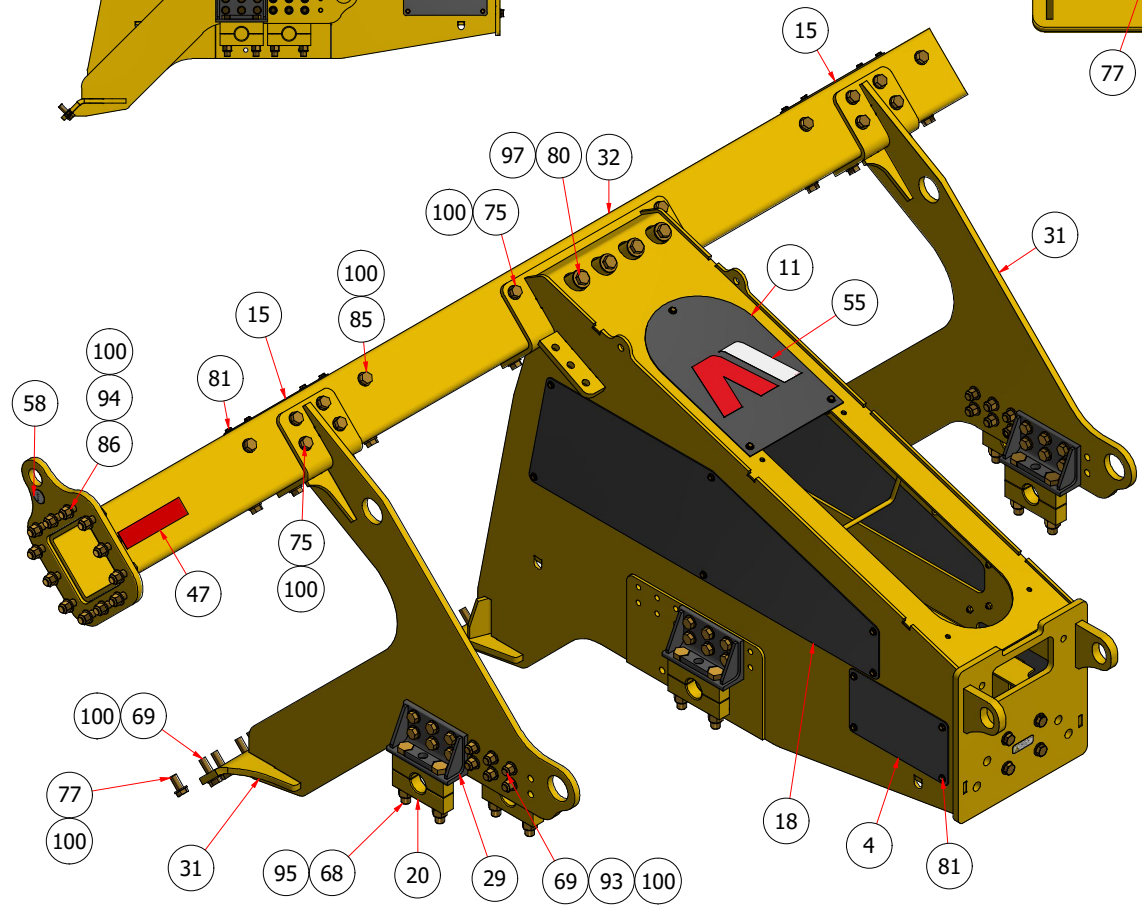
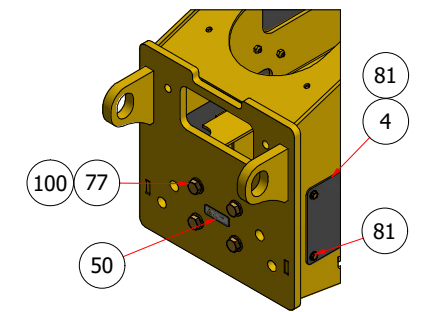
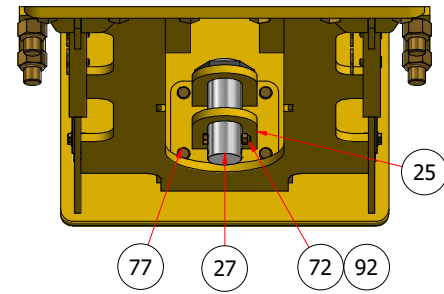
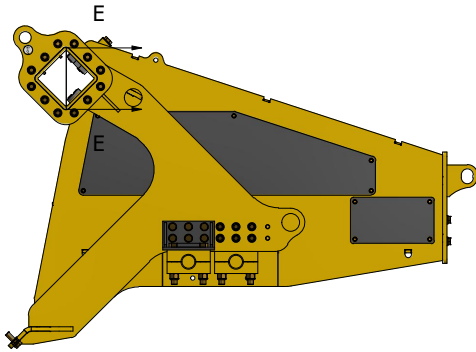
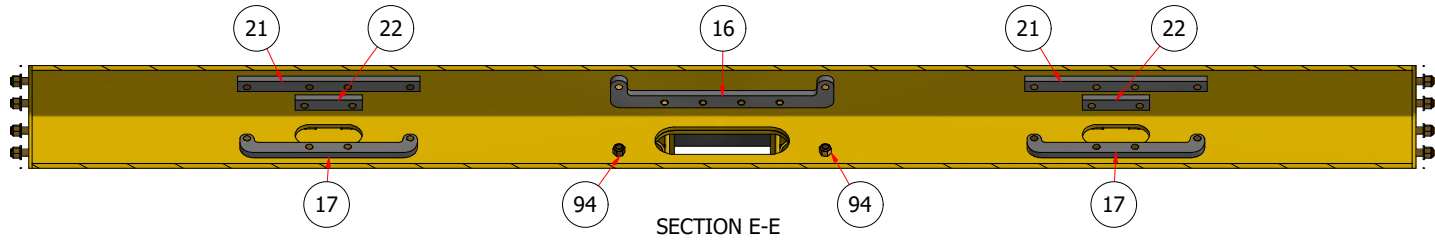


FLOOR COMPONENTS					
ITEM	QTY	PART NUMBER	REV	DESCRIPTION	
23	2	211001060_sm_S	A	OUTER TRUSS NUT, SHELL, 2114	
30	1	311001023_w_F_S	D	FLOOR, BOWL, 1812	
62	2	413000115	A	OUTER BLADE, 1233	
63	1	413000140	A	LH CENTER BLADE, 1233	
64	1	413000141	A	RH CENTER BLADE, 1233	
104	24	BLT8C_7-8x2_3-4_PLW	A	7/8" X 3/4" X 2-3/4" PLOW BOLT, 1233	

SECTION 1.03

STRUCTURAL

2301 1812 SHELL
(311001033_A_S-CY)
[REAR FRAME]



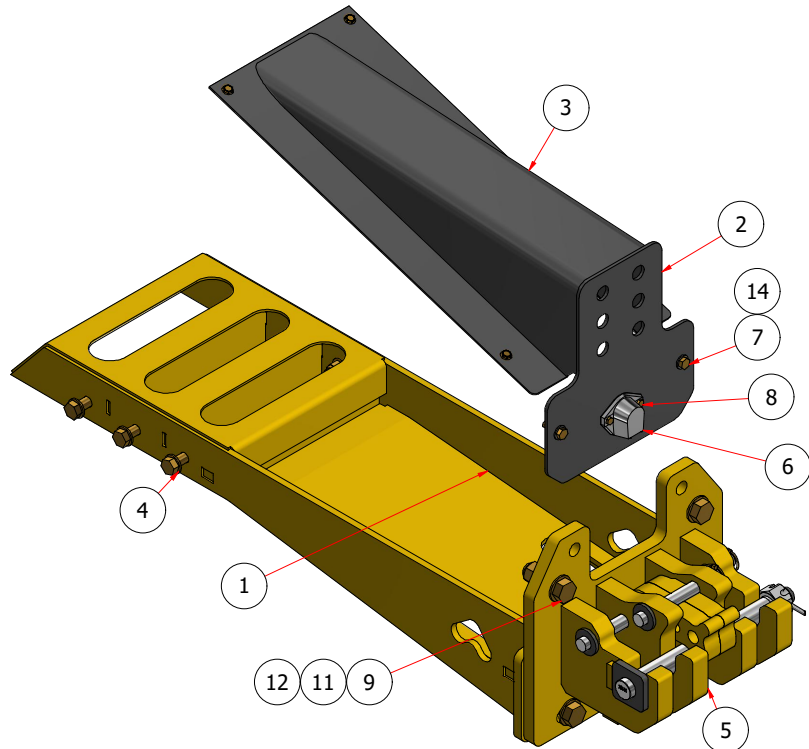
FLOOR COMPONENTS

ITEM	QTY	PART NUMBER	REV	DESCRIPTION
4	2	111000647_c_T-CG	C	SIDE REAR TRUSS GUARD, 3413
11	1	111001059_c_T-CG	A	LARGE TAIL COVER W. 3/8" BOLTS, 3413
15	2	111002128_c_S-CY	B	REAR CROSS TUBE COVER, BOWL, 1812
16	1	111002129_cm_S	A	CENTER TRUSS MOUNTING BAR, BOWL, 1812
17	2	111002130_cm_S	A	BOTTOM ROW TRUSS NUT, BOWL, 1812
18	2	111002214_c_T-CG	A	SIDE GUARD, HIGH CLEARANCE TAIL, 2114
20	16	211000174_sm_W-CY	C	AXLE BLOCK, 3413
21	2	211001023_sm_S	B	TOP ROW TRUSS MOUNT BAR, BOWL
22	2	211001024_sm_S	B	BOT ROW TRUSS MOUNT BAR, BOWL
25	1	311001001_w_A-CY	C	PUSH OFF CYLINDER EARS, 1812
27	1	311001007_w_PIN-CG	A	HEX PIN, PUSH OFF, 1812
29	8	311001011_w_A-CG	A	AXLE MOUNT, 1812
31	2	311001026_w_T_S	A	PLATE TRUSS, BOWL, 1812
32	1	311001028_w_S	A	FIXED AXLE REAR CROSS PIPE, 1812
47	2	411000003	0	Decal - Reflective Tape, Red
50	1	411000097	1	Decal - Warning TH Pinch Small
55	1	411000276	0	Decal - AI Logo Large
58	4	411000281	0	Decal - Lift Point Round
68	16	AFB-00001	A	HHCS, 1-8 NC x 6.5" LG GR8
69	89	AFB-00005	A	HHCS: 3/4"-10 X 2-1/2", GRADE 8
72	1	AFB-00030	A	HHCS: 3/8 NC x 2-1/2 Gr. 5 Zinc
75	18	AFB-00037	A	HHCS: 3/4 X 10-2" Gr. 8 Zinc
77	8	AFB-00048	B	HHCS: 3/4"-10 x 1-3/4" GR 8 ZINC
80	4	AFB-00099	A	HHCS: 3/4 NC X 7" Gr. 8 Zinc
81	39	AFB-00128	C	HHFB: 3/8"-16 x 1" HEX HEAD
85	20	AFB-00215	A	HHCS: 3/4 NC x 1-1/2" Gr. 8 Zinc
86	36	AFB-00218	A	HHCS: 3/4 NC x 2-3/4" Gr. 8 Zinc
92	1	AFN-00044	A	Nut: Nylock 3/8" NC
93	40	AFN-00046	A	Nut: Nylock 3/4"-10
94	70	AFN-00062	A	Nut: Top Lock 3/4"-10 NC Gr. 8 Zinc
95	22	AFN-00077	A	Nut: Nylock 1" NC
97	4	AFW-00007	A	3/4" WASHER
100	301	AFW-00042	A	3/4" STRUCTURAL WASHER

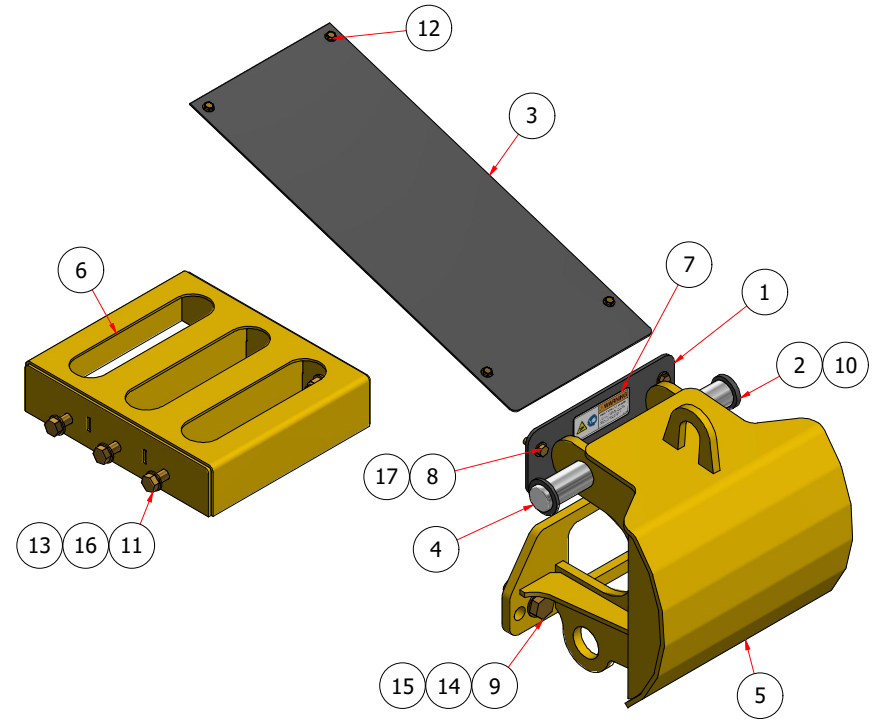
SECTION 1.03

STRUCTURAL

2301 1812 REAR TAIL OPTIONS



Front Unit Tail, 1812



Rear Unit Tail, 1812

311001112_A

ITEM	QTY	PART NUMBER	REV	DESCRIPTION
1	1	111002289_cb_T-CY	A	BOTTOM TAIL GUARD, 2114
2	1	311000424_w_D-CY	A	REAR BULKHEAD ASSEMBLY, 1812
3	1	311001010_w_A-CG	A	REAR HOOD FOR LONG TAIL, 1812
4	1	311001105_w_T	A	AXLE BRIDGE / HITCH MOUNT, 2114
5	1	311001108_D	A	AI SPACING, REAR HITCH, 1812
6	1	A125447	A	CONNECTOR, SOCKET 7-WAY 11-720EP
7	2	AFB-00015	A	HHCS: 1/2 NC x 1-1/2" Gr. 8 Zinc
16	6	AFB-00064	A	HHCS: 3/4 NC x 3" Gr. 8 Zinc
8	2	AFB-00074	A	HHCS: 5/16 NC X 1" GR. 5 ZINC
15	4	AFB-00128	C	HHFB: 3/8"-16 x 1" HEX HEAD
9	7	AFB-00211	A	HHCS: 1 NC x 3-1/4" Gr. 8 Zinc
10	4	AFB-00215	A	HHCS: 3/4 NC x 1-1/2" Gr. 8 Zinc
18	6	AFN-00046	A	Nut: Nylock 3/4"-10
11	7	AFN-00077	A	Nut: Nylock 1" NC
12	14	AFW-00011	A	Washer - 1" SAE Zinc
13	16	AFW-00042	A	3/4" STRUCTURAL WASHER
14	2	AFW-00044	A	Washer: 1/2" Thru Hardened,

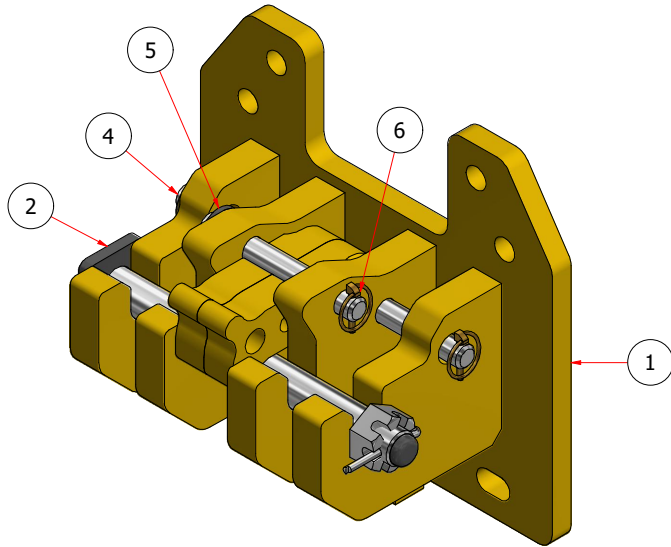
311000507_A_T

ITEM	QTY	PART NUMBER	REV	DESCRIPTION
1	1	111000271_c_T-CG	A	REAR TAIL COVER, 1812+
2	1	111000420_c_E-CG	A	PUSH OFF PIN CAP, 220
3	1	111002026_c_T-CG	A	REAR UNIT TAIL GUARD, 1812
4	1	311001008_w_PIN-CG	A	BUMPER LOCKING PIN, 1812
5	1	311001061_c_D-CY	A	HIGH CLEARANCE TAIL BUMPER, 2411
6	1	311001099_w_T-CY	A	AXLE BRIDGE, 2114
7	1	411000351	0	Decal - Warning Hydraulics
8	2	AFB-00015	A	HHCS: 1/2 NC x 1-1/2" Gr. 8 Zinc
9	2	AFB-00018	C	HHCS: 1 NC x 3" Gr. 8 Zinc
10	3	AFB-00034	A	HHCS: 3/8 NC X 1" GRADE 5, ZINC
11	6	AFB-00064	A	HHCS: 3/4 NC x 3" Gr. 8 Zinc
12	4	AFB-00128	C	HHFB: 3/8"-16 x 1" HEX HEAD
13	6	AFN-00046	A	Nut: Nylock 3/4"-10
14	2	AFN-00077	A	Nut: Nylock 1" NC
15	4	AFW-00011	A	Washer - 1" SAE Zinc
16	12	AFW-00042	A	3/4" STRUCTURAL WASHER
17	2	AFW-00044	A	Washer - 1/2" GR8

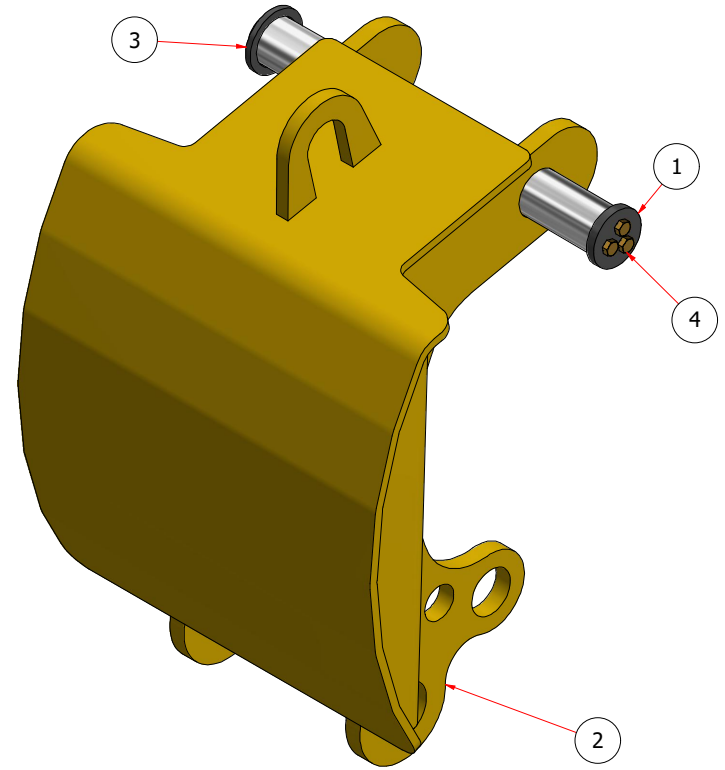
SECTION 1.03

STRUCTURAL

2301 1812 SL REAR TAIL OPTIONS



311001108_D				
ITEM	QTY	PART NUMBER	REV	DESCRIPTION
1	1	311001109_w_D-CY	A	AI SPACING, REAR HITCH, 1812
6	2	405000024	0	Pin Lynch, 1/4" (1.25" Useable)
3	1	600363	B	CENTER LUG, QUICK HITCH
4	1	600452	A	PIN, QUICK HITCH
5	1	600480	B	PIN, SHORT, QUICK HITCH
2	1	DB-1023-20	C.01	PIN ASSY: Quick Hitch CNH #84268964



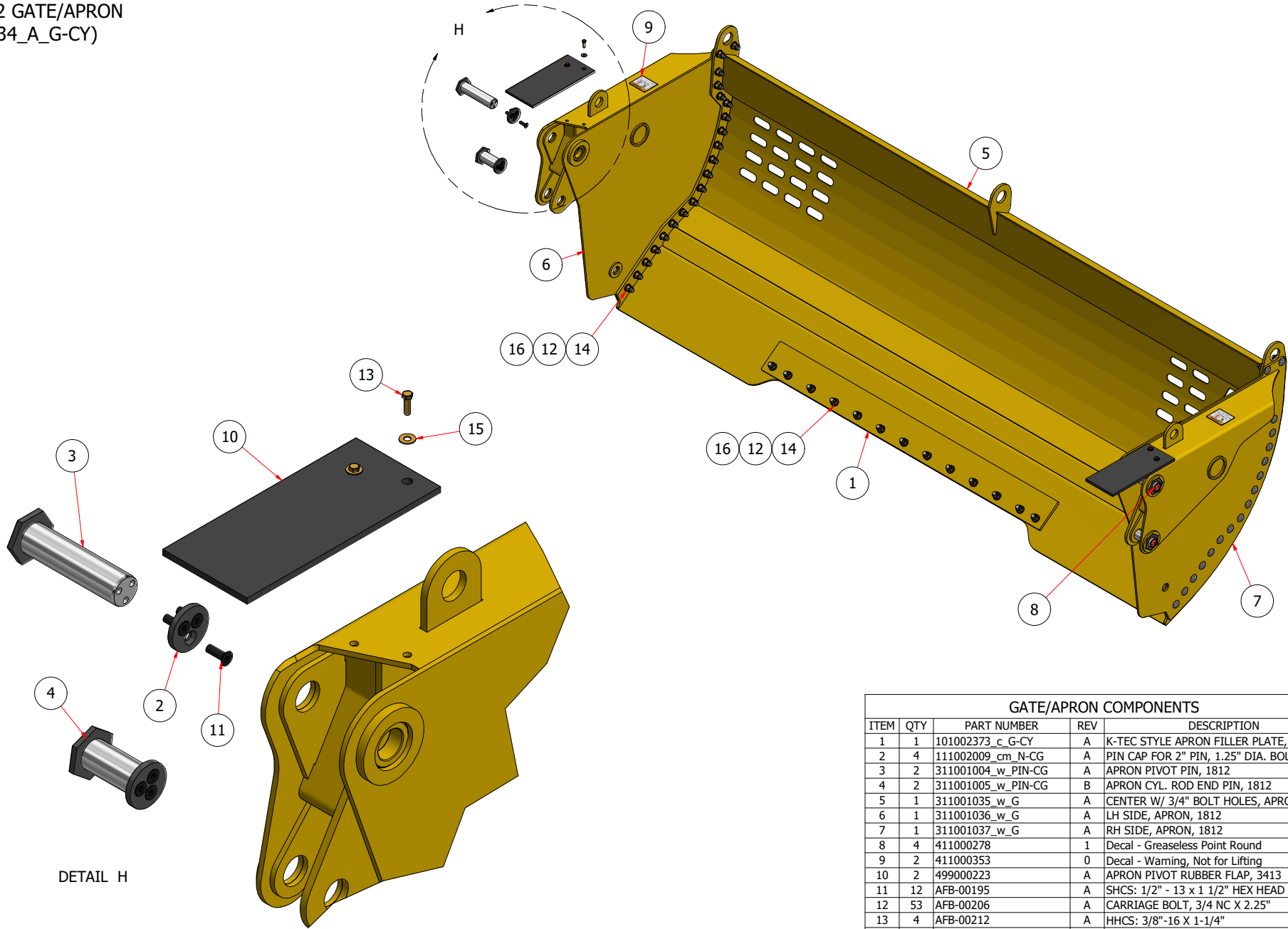
FOR USE WITH PUSH-LOADING
YOUR SL SCRAPER WHEN NOT
IN A TRAIN CONFIGURATION.

31100038 Kit				
ITEM	QTY	PART NUMBER	REV	DESCRIPTION
1	1	111000420_c_E-CG	0	PUSH OFF PIN CAP
2	1	311000392_w_D-CY	0	PIN IN REAR BUMPER
3	1	311001008_w_PIN-CG	0	BUMPER LOCKING PIN
4	3	BLT8C_3-8x1	0	Bolt Gr. 8 UNC 3/8" x 1"

SECTION 1.04

STRUCTURAL

2301 1812 GATE/APRON
(311001034_A_G-CY)



DETAIL H

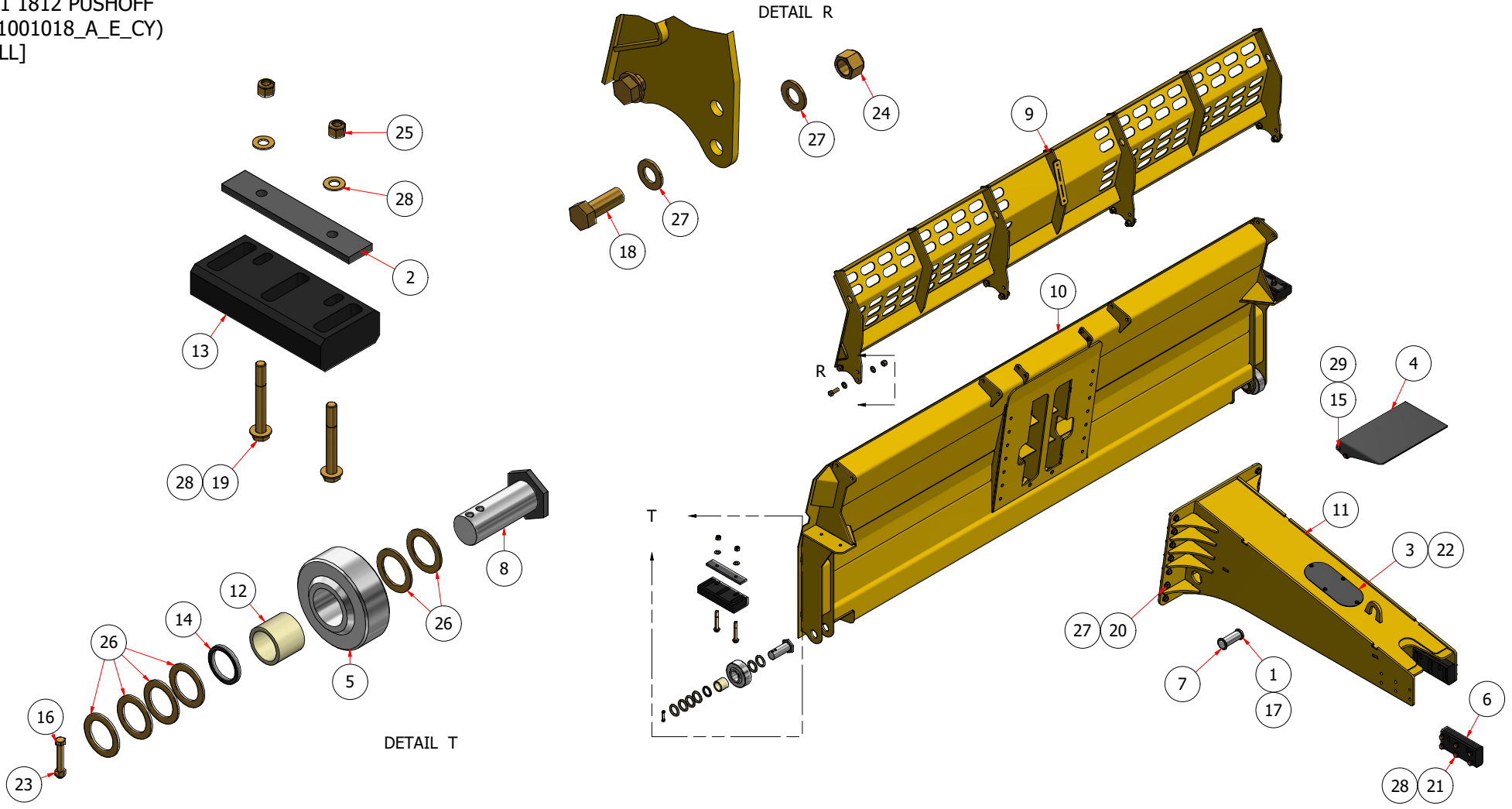
GATE/APRON COMPONENTS

ITEM	QTY	PART NUMBER	REV	DESCRIPTION
1	1	101002373_c_G-CY	A	K-TEC STYLE APRON FILLER PLATE, 3413
2	4	111002009_cm_N-CG	A	PIN CAP FOR 2" PIN, 1.25" DIA. BOLT CIRCLE
3	2	311001004_w_PIN-CG	A	APRON PIVOT PIN, 1812
4	2	311001005_w_PIN-CG	B	APRON CYL. ROD END PIN, 1812
5	1	311001035_w_G	A	CENTER W/ 3/4" BOLT HOLES, APRON, 1812
6	1	311001036_w_G	A	LH SIDE, APRON, 1812
7	1	311001037_w_G	A	RH SIDE, APRON, 1812
8	4	411000278	1	Decal - Greaseless Point Round
9	2	411000353	0	Decal - Warning, Not for Lifting
10	2	499000223	A	APRON PIVOT RUBBER FLAP, 3413
11	12	AFB-00195	A	SHCS: 1/2" - 13 x 1 1/2" HEX HEAD
12	53	AFB-00206	A	CARRIAGE BOLT, 3/4 NC X 2.25"
13	4	AFB-00212	A	HHCS: 3/8"-16 X 1-1/4"
14	53	AFN-00062	A	Nut: Top Lock 3/4"-10 NC Gr. 8 Zinc
15	4	AFW-00010	A	WASHER, 3/8" FLAT USS ZINC
16	53	AFW-00042	A	3/4" STRUCTURAL WASHER

SECTION 1.05

STRUCTURAL

2301 1812 PUSHOFF
(311001018_A_E_CY)
[FULL]

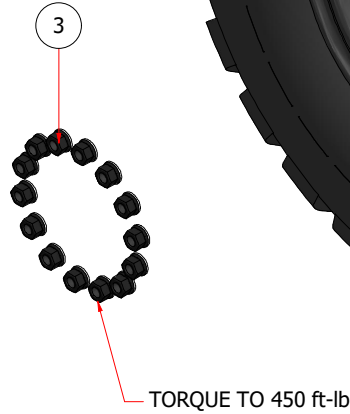


PUSHOFF COMPONENTS					PUSHOFF COMPONENTS					PUSHOFF COMPONENTS				
ITEM	QTY	PART NUMBER	REV	DESCRIPTION	ITEM	QTY	PART NUMBER	REV	DESCRIPTION	ITEM	QTY	PART NUMBER	REV	DESCRIPTION
1	1	111000420_c_E-CG	A	PUSH OFF PIN CAP, 220	11	1	311001021_w_E	B	TAIL, BOLT TOGETHER PUSH OFF, 1812	21	12	AFB-00063	A	HHCS: 5/8 NC x 2-1/2" Gr. 8 Zinc
2	2	111000650_c_E-CG	C	SLIDER CLAMP, FRONT, PUSH OFF, 3413	12	2	400355	A	POLY BUSHING, 2.00 X 2.50 X 2.13	22	4	AFB-00128	C	HHFB: 3/8"-16 x 1" HEX SERATED BOLT
3	1	111000883_c_E-CG	A	HYD COVER, PUSH OFF	13	2	408000035	A	SLIDER BLOCK, 1812	23	2	AFN-00044	A	Nut: Nylock 3/8" NC
4	1	111002224_cb_E	A	TAIL DIRT DEFLECTOR, EJECTOR, 2114	14	4	422000001	A	WIPER: 2" ID X 2-1/2" OD	24	8	AFN-00046	A	Nut: Nylock 3/4"-10
5	2	211001010_sm_E	A	6" FLOOR ROLLER, PUSH OFF, 1812	15	4	AFB-00015	A	HHCS: 1/2 NC x 1-1/2" Gr. 8 Zinc	25	4	AFN-00081	B	Nut: Nylock 5/8"-11
6	2	301100155	A	REAR PUSH OFF SLIDER BLOCK ASSEMBLY	16	2	AFB-00030	A	HHCS: 3/8 NC x 2-1/2 Gr. 5 Zinc	26	12	AFW-00014	A	2.000 X 10 BUSHING
7	1	311000330_w_PIN-CG	A	PUSH OFF ROD END PIN, 3413	17	3	AFB-00034	A	HHCS: 3/8 NC X 1" GRADE 5, ZINC	27	32	AFW-00042	A	3/4" STRUCTURAL WASHER
8	2	311001007_w_PIN-CG	A	HEX PIN, PUSH OFF, 1812	18	8	AFB-00037	A	HHCS: 3/4 X 10-2" Gr. 8 Zinc	28	20	AFW-00043a	A	Washer: 5/8"
9	1	311001019_w_R_E	B	HEADACHE RACK, PUSH OFF, 1812	19	4	AFB-00046	A	HHCS: 5/8"-11 x 5" GR8 Hex Cap Screw	29	4	AFW-00044	A	Washer: 1/2"
10	1	311001020_w_E	C	FRONT PANEL, BOLT TOGETHER PUSH OFF	20	16	AFB-00048	B	HHCS: 3/4"-10 x 1-3/4" GR 8 ZINC					

SECTION 1.06

STRUCTURAL

2301 1812 WHEEL ASSEMBLY
(311001015_A_W)



OPTIONAL 23.5 WHEELS



23.5 R25, 2 STAR TIRE & RIM PACKAGE

ITEM	QTY	PART NUMBER	REV	DESCRIPTION
3	1	418000085	0	Rim 19.5 x 25 / 2.5
2	1	417000050	0	23.5R25 Radial Tire

NOTE:

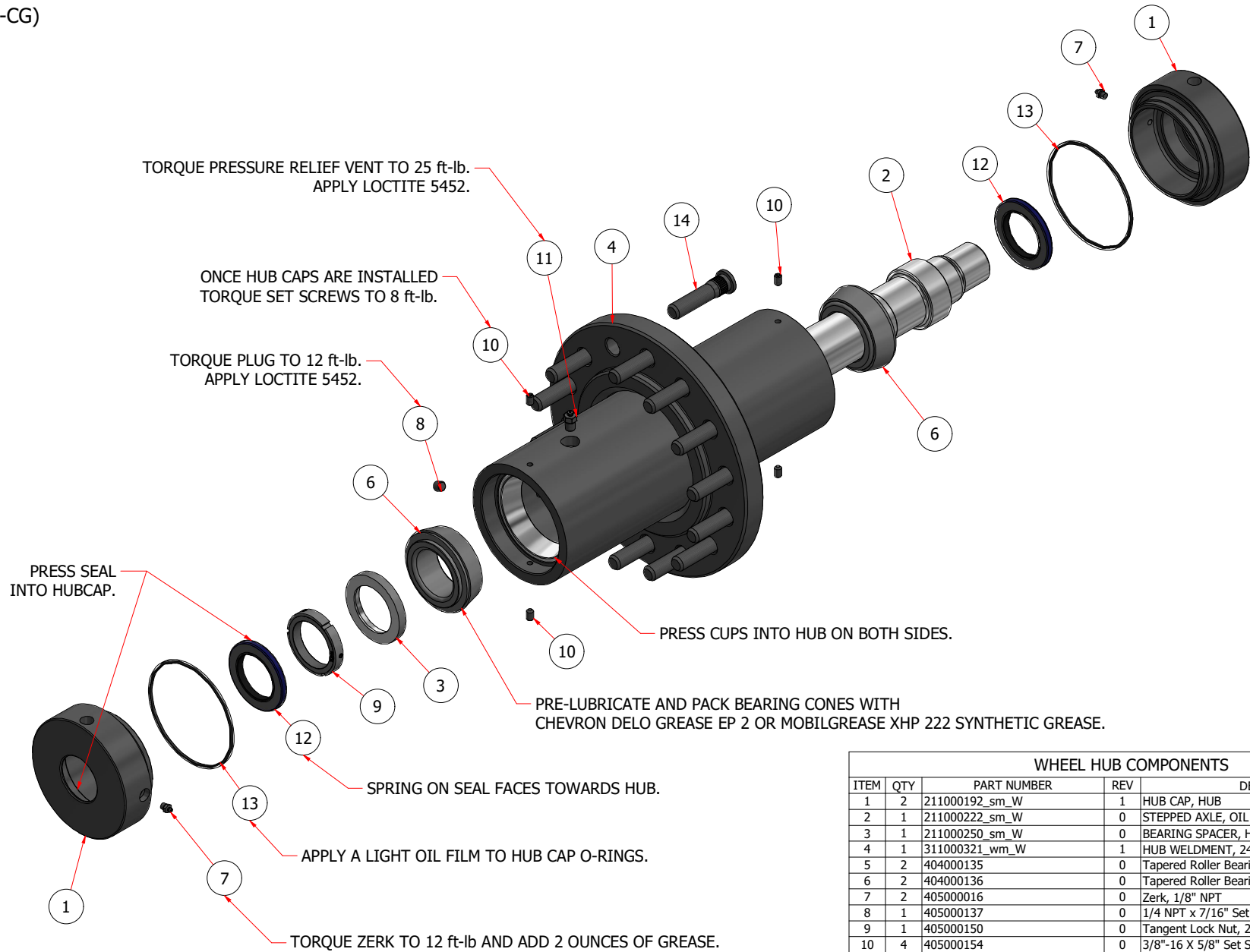
THE OPTIONAL 23.5 WHEELS ONLY WORK IN THE "IN-LINE" SCRAPER WHEEL ORIENTATION.

1812 WHEEL ASSEMBLY COMPONENTS				
ITEM	QTY	PART NUMBER	REV	DESCRIPTION
1	1	311001016_W	A	TIRE AND WHEEL ASSEMBLY, 1812
2	1	406000040-CG	2	2411/2811 - Hub & Axle Assembly
3	14	NUT8F_M22_1.5_FLG	0	Flange Nut M22 Gr 8 TP 1.5

SECTION 1.12

STRUCTURAL

2301 1812 WHEEL HUB
(40600040-CG)



WHEEL HUB COMPONENTS				
ITEM	QTY	PART NUMBER	REV	DESCRIPTION
1	2	211000192_sm_W	1	HUB CAP, HUB
2	1	211000222_sm_W	0	STEPPED AXLE, OIL BATH HUB, 2411/2811
3	1	211000250_sm_W	0	BEARING SPACER, HUB
4	1	311000321_wm_W	1	HUB WELDMENT, 2411/2811
5	2	404000135	0	Tapered Roller Bearing Cup 5-3/8" OD x 1-1/4"
6	2	404000136	0	Tapered Roller Bearing, 2-13/16" ID x 1-3/4"
7	2	405000016	0	Zerk, 1/8" NPT
8	1	405000137	0	1/4 NPT x 7/16" Set Screw
9	1	405000150	0	Tangent Lock Nut, 2-3/4-18, 3-5/8 OD, 0.573 WD
10	4	405000154	0	3/8"-16 X 5/8" Set Screw
11	1	407400162	0	PRESSURE RELIEF VENT, 1/4" PTF, 15 PSI
12	2	422000106	0	GREASE SEAL, ID 2.625", OD 4.003", W 0.375"
13	2	422000152	0	Square O-Ring 6" x 6-1/4" x 1/8"
14	14	BLT10.9_M22x100_1.5_STUD	0	M22 x 100 mm Gr 10.9 TP 1.5 Wheel Stud

SECTION 2.00

HYDRAULICS

HYDRAULIC FITTINGS TORQUE SPECIFICATIONS

JIC Flare Torque Values (Lubricated)

SAE No.	Tube Size O.D.	Nut Size Across Flats	Torque Value N.m	Torque Value lb.-ft.	F.F.F.T Flats
-04	1/4"	9/16"	15-16	11-12	2
-06	3/8"	11/16"	24-27	18-20	1 1/2
-08	1/2"	7/8"	41-53	36-39	1 1/2
-12	3/4"	1-1/4"	107-119	79-88	1 1/4
-16	1"	1-1/2"	146-153	108-113	1
-20	1 1/4"	1-7/8"	172-180	127-133	1
-24	1 1/2"	2-1/8"	214-226	158-167	1

O-Ring Boss Torque Values (Lubricated)

SAE No.	Tube Size O.D.	Nut Size Across Flats	Torque Value N.m	Torque Value lb.-ft.	F.F.F.T Flats
-04	1/4"	9/16"	18-20	13-15	1
-06	3/8"	11/16"	27-34	22-25	1
-08	1/2"	7/8"	54-58	40-43	1
-12	3/4"	1-1/4"	92-102	68-75	1
-16	1"	1-1/2"	152-169	112-123	3/4
-20	1 1/4"	1-7/8"	198-226	146-200	3/4
-24	1 1/2"	2-1/8"	209-291	154-215	1/2

O-Ring Face Seal Torque Values (Lubricated)

SAE No.	Tube Size O.D.	Nut Size Across Flats	Torque Value N.m	Torque Value lb.-ft.	F.F.F.T Flats
-04	1/4"	9/16"	14-16	10-12	1
-06	3/8"	11/16"	24-27	18-20	1
-08	1/2"	7/8"	43-47	32-35	1
-12	3/4"	1-1/4"	88-95	65-70	1
-16	1"	1-1/2"	125-136	92-100	3/4
-20	1 1/4"	1-7/8"	170-190	125-140	3/4
-24	1 1/2"	2-1/8"	203-224	150-165	3/4

Pipe Thread Torque Values

SAE No.	Tube Size O.D.	Nut Size Across Flats	Torque Value N.m	Torque Value lb.-ft.	F.F.F.T Flats
-04	1/4"	9/16"	34	25	3/4-1 3/4
-06	3/8"	11/16"	54	40	3/4-1 3/4
-08	1/2"	7/8"	73	54	1/2-1 1/2
-12	3/4"	1-1/4"	106	78	1/2-1 1/2
-16	1"	1-1/2"	152	112	1/2-1 1/2
-20	1 1/4"	1-7/8"	209	154	1/2-1 1/2
-24	1 1/2"	2-1/8"	286	211	1/2-1 1/2

Flats From Finger Tight (F.F.F.T)

is a **Turn Method** that counts the number of hex flats past the finger tightened position.

Assembly Steps With a Visual Check

- 1) With the tube flared, make sure the tubing and threads are clean.
- 2) Lubricate the threads with 10W hydraulic oil.
- 3) Hand tighten the nut/sleeve (approx. 30 lb-in.).
- 4) Make alignment marks on the nut and fitting.
- 5) Proceed to tighten to F.F.F.T. or lb-ft. values.
- 6) When fully tightened make a 2nd set of alignment marks at the fully tightened position.

O-Ring Boss Assembly

- 1) **Inspect the components** and make sure the port, O-ring, sealing surfaces, and threads are clean, and free of damage.
- 2) **Install an O-ring** if needed. Take special care not to cut it on the threads. We install our O-rings with special mandrels, or cones.
- 3) **Lubricate** the threads and O-ring with 10W hydraulic oil.
- 4) For an adjustable ORB, completely **back off the locknut/washer**.
- 5) **Hand tighten** the fitting until it contacts the port surface.
- 6) Proceed to **tighten** the proper specified **torque value**.

As the Temperature Rises...

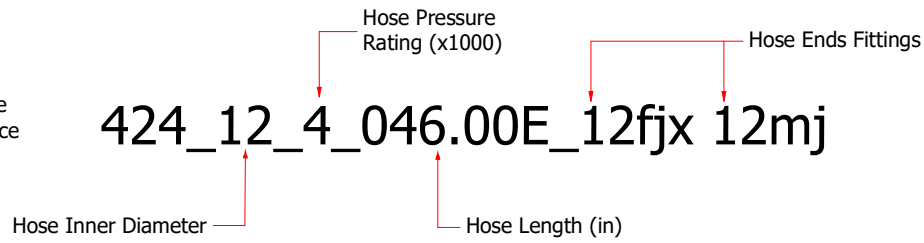
- + 212F = Water boils off.
- + 600F = Flux starts to bubble.
- + 800F = Flux becomes translucent.
- + 1100F = Flux melts and becomes clear and active, looks like water.
- + 1125F = Silver braze ring melts.
- + 1140F = Silver flows evenly throughout the joint allowing the braze sleeve to drop and be fully seated.
At this point the metal will take on a dark reddish look.

SECTION 2.00

HYDRAULICS

HYDRAULICS CODING BREAKDOWN

- mj - Male JIC
 - fj - Female JIC
 - mp - Male Pipe
 - fp - Female Pipe
 - mb - Make ORB
 - fb - Female ORB
 - x - Swivel
 - mf - Male Flat Face
 - ff - Female Flat Face
-
- 6 - 3/8"
 - 8 - 1/2"
 - 12 - 3/4"
 - 16 - 1"

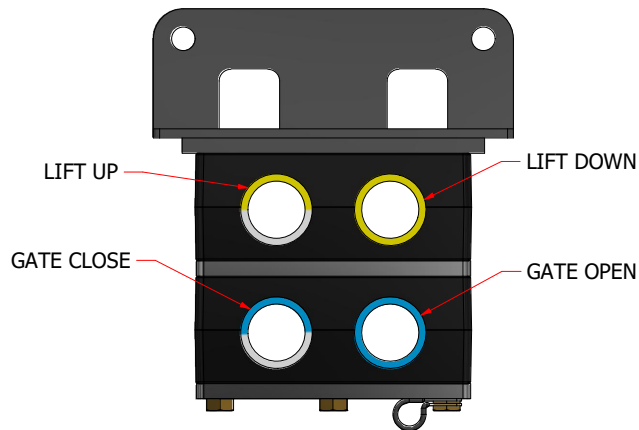


FACTORY RECOMMENDED CONTROL SET UP

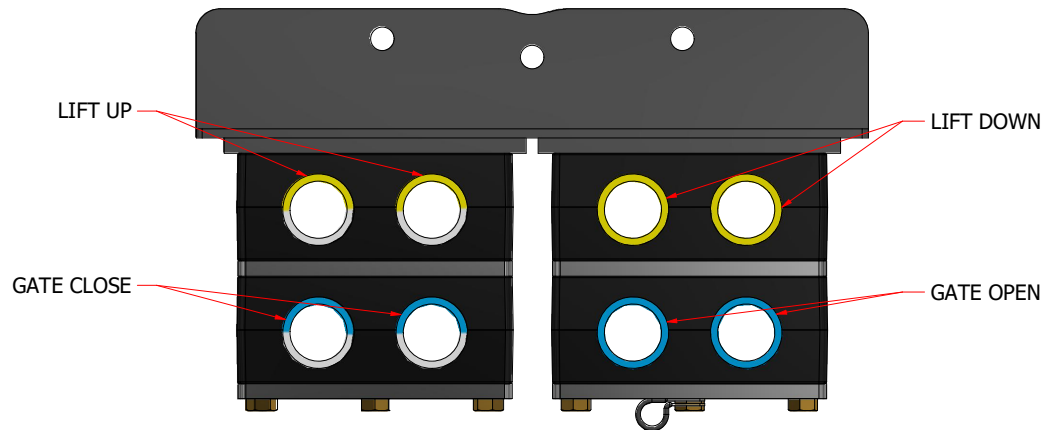
SOLID COLOR HOSES

LIFT DOWN	GATE OPEN
REMOTE 1 GREEN	REMOTE 2 YELLOW
LIFT UP	GATE CLOSE

DOTTED COLOR HOSES



SS
(VIEW FROM FRONT OF SCRAPER)

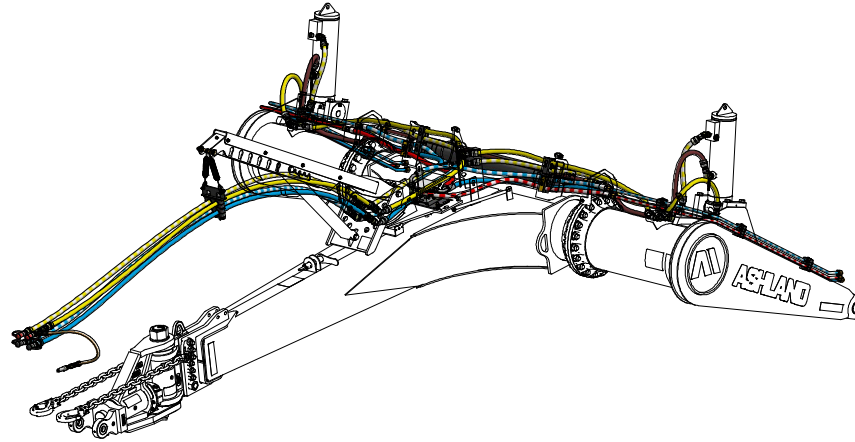


SL
(VIEW FROM FRONT OF SCRAPER)

SECTION 2.01

HYDRAULICS

2301 1812 FRONT SECTION
(STANDARD SINGLE)



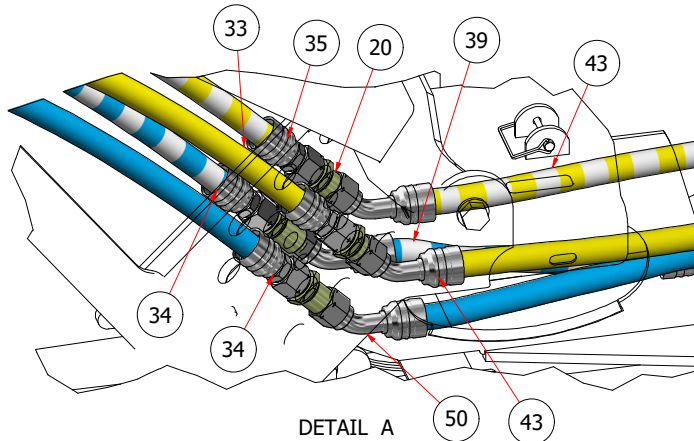
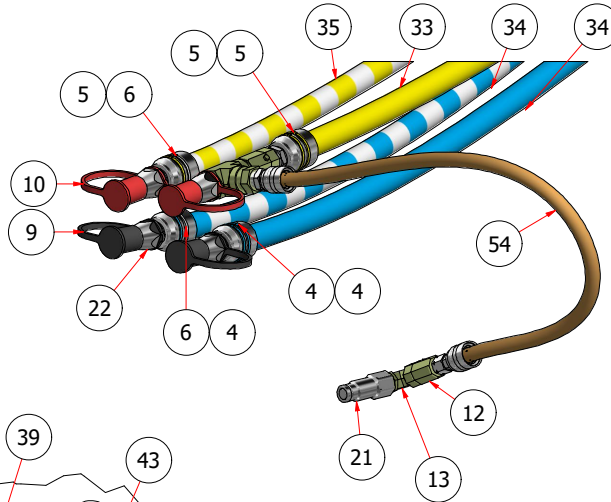
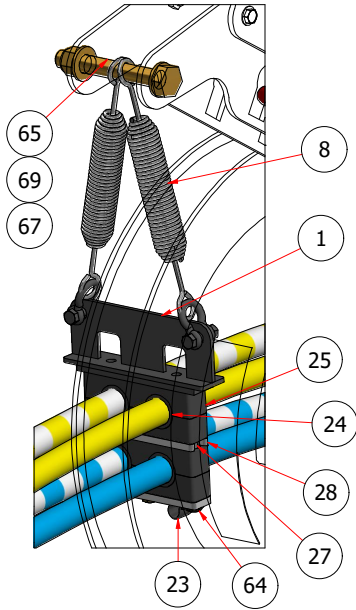
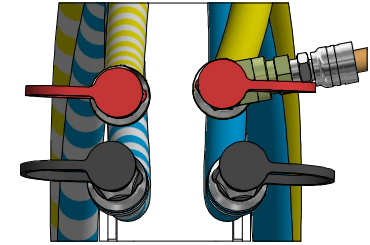
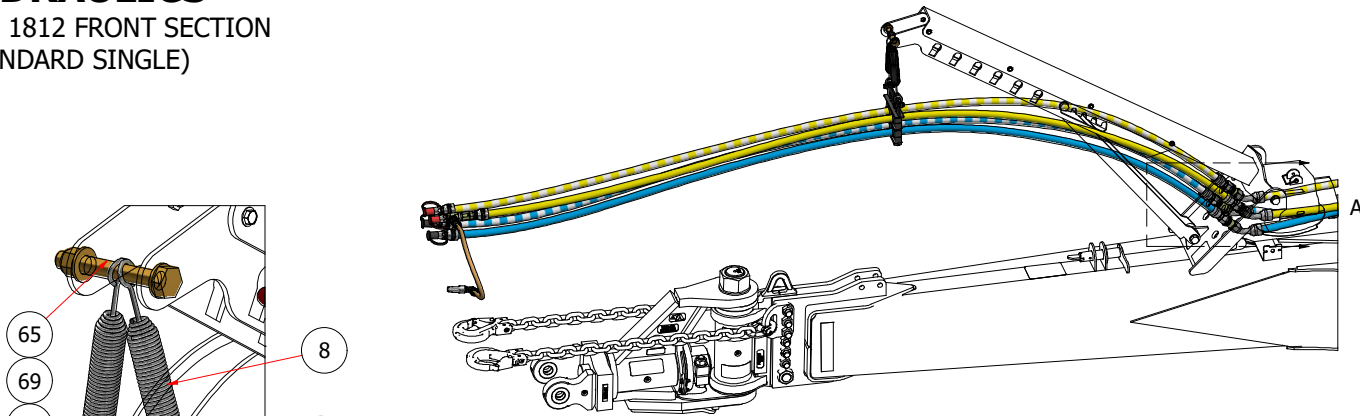
HYDRAULIC COMPONENTS					HYDRAULIC COMPONENTS				
ITEM	QTY	PART NUMBER	REV	DESCRIPTION	ITEM	QTY	PART NUMBER	REV	DESCRIPTION
41	2	424207014	A	HOSE - 12_62_12FJX 12FJX	1	1	301004125_w_H-CG	B	HYDRAULIC CLAMP BLOCK, FS,
42	2	424207015	A	HOSE - 12_63_12FJX 45 12FJX	2	1	311001000_w_C-CG	A	VALVE BLOCK MOUNT, FRONT SECTION, 1812
43	2	424207016	A	HOSE - 12_31.5_16FJX 45 12FJX	3	1	402000010	A	RAMROD ACCUMULATOR
44	1	424207017	A	HOSE - 12_52.5_12FJX 45 12MJ	4	3	405000051	0	Light Blue Zip Tie
45	1	424207018	A	HOSE - 12_58.5_12FJX 12MJ	5	3	405000053	0	Yellow Zip Tie
46	1	424207019	A	HOSE - 12_50_12FJX 90 12MJ	6	2	405000147	0	White Zip Tie
47	1	424207020	A	HOSE - 12_50_12FJX 12MJ	7	2	405100075	A	K-TEC CLEVIS, HYDRAULIC BOOM
48	1	424207021	A	HOSE - 12_52_12FJX 90 12MJ	8	2	405400007	A	K-TEC HYDRAULIC BOOM SPRING
49	1	424207022	A	HOSE - 12_56_12FJX 90 12MJ	9	2	407000073	0	Dust Cap Male 1/2" Body Quick Connect - Black
50	1	424207023	A	HOSE - 12_17_12FJX 16FJX 45	10	2	407000074	0	Dust Cap Male 1/2" Body Quick Connect - Red
51	1	424207029	0	Hose - 12_022.50E_12fjx 12fjx	11	1	407100024	A	REDUCER BUSHING MNPT - 1/2" X FNPT - 08
52	1	424207030	0	Hose - 12_026.50E_12fjx 12fjx	12	1	4071_06mj_06fjx_LS	A	Live Swivel MJIC-06 x FJIC-06
53	1	424207031	0	Hose - 12_017.50E_12fjx 12fjx	13	1	4071_08mb_06mj90	A	Elbow 90 deg MORB-08 x MJIC-06
54	1	42420XXXX-01	A	424_06_4_039.00E_06fjx 08mp	14	2	4071_12mb_12mj90_L	0	Elbow 90 deg MORB-12 x MJIC-12 Long
55	1	42420XXXX-02	A	424_12_4_013.50E_12fjx 16fjx90	15	2	4071_12mj_12mj45_BH	0	BulkHead Elbow Nipple 45 deg MJIC-12 x MJIC-12
56	1	426000423	A	Tube Assembly	16	2	4071_12mj_12mj_BH_12mj	A	BulkHead Tee MJIC-12 3 way
57	1	426001208	A	LH GATE EXTEND LINE, FS, 1812	17	1	4071_12mp_12fp_12fp	A	Tee Run Female MNPT-12 x FNPT-12 x FNPT-12
58	1	426001209	A	RH GATE EXTEND LINE, FS, 1812	18	1	4071_12mp_12fp_LS	A	Adapter MPipe-12 x FPipe-12 Swivel
59	1	426001210	A	LH GATE RETRACT LINE, FS, 1812	19	1	4071_16mj_16fjx_16mj	A	Tee MJIC-16 x FJIC-16 x MJIC-16
60	1	426001211	A	RH GATE RETRACT LINE, FS, 1812	20	4	4071_16mj_16mj_BH	A	BulkHead MJIC-16 x MJIC-16
61	1	426001212	A	LH EJECTOR RETRACT LINE, FS, 1812	21	1	407300006	A	TIP FF 3/8" BODY FORB-08
62	1	426001213	A	RH EJECTOR EXTEND LINE, FS, 1812	22	4	407300086	A	MALE TIP - 12 FNPT X 1/2" BODY (ISO 5675)
63	1	A125174	A	SUN # A601 208 A07 VALVE MANFOLD BLOCK	23	2	407600201	0	P-Clip 1/2"
64	3	AFB-00031	A	HHCS: 3/8 NC x 2-3/4" Gr 5 Zinc	24	4	407600324	A	RUBBER INSERT: 30 MM
65	1	AFB-00039	A	HHCS: 3/4 NC x 5-1/2" Gr 8 Zinc	25	4	407600325	A	CLAMP BLOCK DUAL: 19 MM (SET OF TWO PIECES)
66	2	AFB-00210	A	CARRIAGE BOLT: 1/2" NC X 1 3/4"	26	1	407600327	A	COVER PLATE TYPE (DPAD)
67	1	AFN-00046	A	Nut: Nylock 3/4"-10	27	3	407600334	A	STACKING BOLT AF 5S
68	2	AFN-00078	A	Nut: Nylock 1/2"-13	28	1	407600347	A	STACKING PLATE DOUBLER 5S
69	2	AFW-00042	A	3/4" STRUCTURAL WASHER	29	6	407610039 KIT	A	Clamp Assembly
70	3	AHA-00041	A	#12SAE ORB Male x #12 37° JIC Male	30	2	407610106 Kit	A	Clamp Assembly
71	2	AHA-00044	A	Elbow 90 deg MORB-12 x MJIC-12	31	2	407610175	A	Clamp Assembly 5" Accumulator
72	1	AHA-00049	A	TEE 3/4" JIC x 3/4" JIC x 3/4" FEMALE JIC SWIVEL	32	6	4076_CS_0750	A	Tube_Clamp Spacer (K 3/4" Bead)
73	4	AHA-00094	A	HOLLOW HEX PLUG NO. 12 MALE ORB	33	1	42412_130-0012fjx16fjx	B	HOSE - 04_130_12 MNPT 16 FJICX
74	1	AHA-00105	A	3/4 M ORB X 3/4 JIC X 3/4 JIC, T FITTING	34	2	42412_133-0012mb16fjx	B	HOSE - 04_133_12 MNPT 16 FJIC
75	2	AHA-00127	A	45 DEG. 3/4" MJIC X 3/4" MORB	35	1	42412_135-0012mb16fjx	B	HOSE - 04_130_12 MNPT 16 FJICX
76	4	AHA-00128	A	90 DEG. 3/4" MALE JIC X 3/4" MALE JIC BULKHEAD	36	1	424204468	0	Hose - 12_026.50E_12fjx 12fjx
77	2	AHA-00136	A	90 DEG ELBOW -12 M JIC X -16 M ORB	37	1	424204469	0	Hose - 12_022.50E_12fjx 12fjx
78	1	AHA-00137	A	3/4" MALE JIC x 1" MALE ORB	38	1	424204470	0	Hose - 12_017.50E_12fjx 12fjx
79	6	AHL-00022	A	CLAMP, HYDRAULIC TUBE, 2 STACK	39	1	424207007	A	HOSE - 04_15_16 FJX 45 12 FJX
80	2	BLT8C_1-2x4_1-2	0	Bolt Gr. 8 UNC 1/2" x 4-1/2"	40	2	424207013	A	HOSE - 12_27_12FJX 16MJ

- REMOTE 1 LIFT UP
- REMOTE 1 LIFT DOWN
- REMOTE 2 GATE CLOSE
- REMOTE 2 GATE OPEN
- REMOTE 3 EJECTOR RETRACT
- REMOTE 3 EJECTOR EXTEND
- CUSHION RIDE








SECTION 2.01

HYDRAULICS

2301 1812 FRONT SECTION
(STANDARD SINGLE)



DETAIL A

- REMOTE 1  LIFT UP
- REMOTE 1  LIFT DOWN
- REMOTE 2  GATE CLOSE
- REMOTE 2  GATE OPEN
- REMOTE 3  EJECTOR RETRACT
- REMOTE 3  EJECTOR EXTEND
-  CUSHION RIDE

HYDRAULIC COMPONENTS

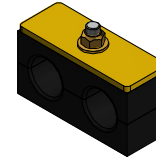
ITEM	QTY	PART NUMBER	REV	DESCRIPTION
1	1	301004125_w_H-CG	B	HYDRAULIC CLAMP BLOCK, FS,
4	3	405000051	0	Light Blue Zip Tie
5	3	405000053	0	Yellow Zip Tie
6	2	405000147	0	White Zip Tie
8	2	405400007	A	K-TEC HYDRAULIC BOOM SPRING
9	2	407000073	0	Dust Cap Male 1/2" Body Quick Connect - Black
10	2	407000074	0	Dust Cap Male 1/2" Body Quick Connect - Red
12	1	4071_06mj_06fjx_LS	A	Live Swivel MJIC-06 x FJIC-06
13	1	4071_08mb_06mj90	A	Elbow 90 deg MORB-08 x MJIC-06
20	4	4071_16mj_16mj_BH	A	BulkHead MJIC-16 x MJIC-16
21	1	407300006	A	TIP FF 3/8" BODY FORB-08
22	4	407300086	A	MALE TIP - 12 FNPT X 1/2" BODY (ISO 5675)
23	2	407600201	0	P-Clip 1/2"
24	4	407600324	A	RUBBER INSERT: 30 MM
25	4	407600325	A	CLAMP BLOCK DUAL: 19 MM (SET OF TWO PIECES)
27	3	407600334	A	STACKING BOLT AF 5S
28	1	407600347	A	STACKING PLATE DOUBLER 5S
33	1	42412_130-0012fjx16fjx	B	HOSE - 04_130_12 MNPT 16 FJICX
34	2	42412_133-0012mb16fjx	B	HOSE - 04_133_12 MNPT 16 FJIC
35	1	42412_135-0012mb16fjx	B	HOSE - 04_130_12 MNPT 16 FJICX
39	1	424207007	A	HOSE - 04_15_16 FJX 45 12 FJX
43	2	424207016	A	HOSE - 12_31.5_16FJX 45 12FJX
50	1	424207023	A	HOSE - 12_17_12FJX 16FJX 45
54	1	42420XXXX-01	A	424_06_4_039.00E_06fjx 08mp
64	3	AFB-00031	A	HHCS: 3/8 NC x 2-3/4" Gr 5 Zinc
65	1	AFB-00039	A	HHCS: 3/4 NC x 5-1/2" Gr 8 Zinc
67	1	AFN-00046	A	Nut: Nylock 3/4"-10
69	2	AFW-00042	A	3/4" STRUCTURAL WASHER

SECTION 2.01

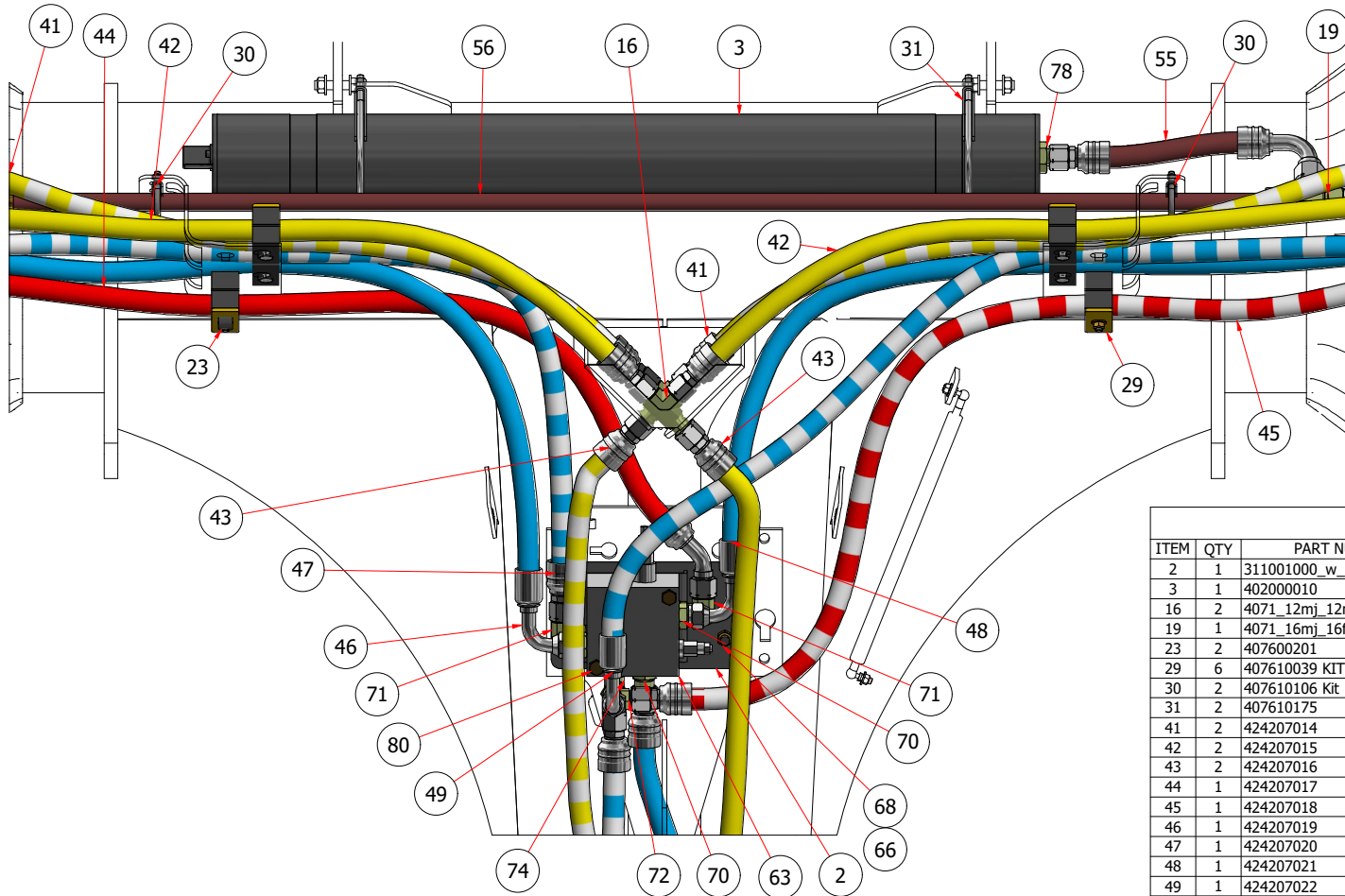
HYDRAULICS

2301 1812 FRONT SECTION
(STANDARD SINGLE)

KITS



407610039	
QTY	DESCRIPTION
1	Bolt Gr. 5 UNC 3/8" x 3" Carriage
2	Clamp twin .75" hyd. hose
1	Nut Gr. 8 UNC 3/8" Stover Lock
1	Plate 1.2" Twin Clamp
1	Washer Gr. 8 - 3/8" Structural



- REMOTE 1 LIFT UP
- REMOTE 1 LIFT DOWN
- REMOTE 2 GATE CLOSE
- REMOTE 2 GATE OPEN
- REMOTE 3 EJECTOR RETRACT
- REMOTE 3 EJECTOR EXTEND
- CUSHION RIDE

*WHEN SERVICING CYLINDERS
MAKE SURE TO RECHARGE ACCUMULATOR.

1812 = 1450 psi

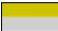






HYDRAULIC COMPONENTS

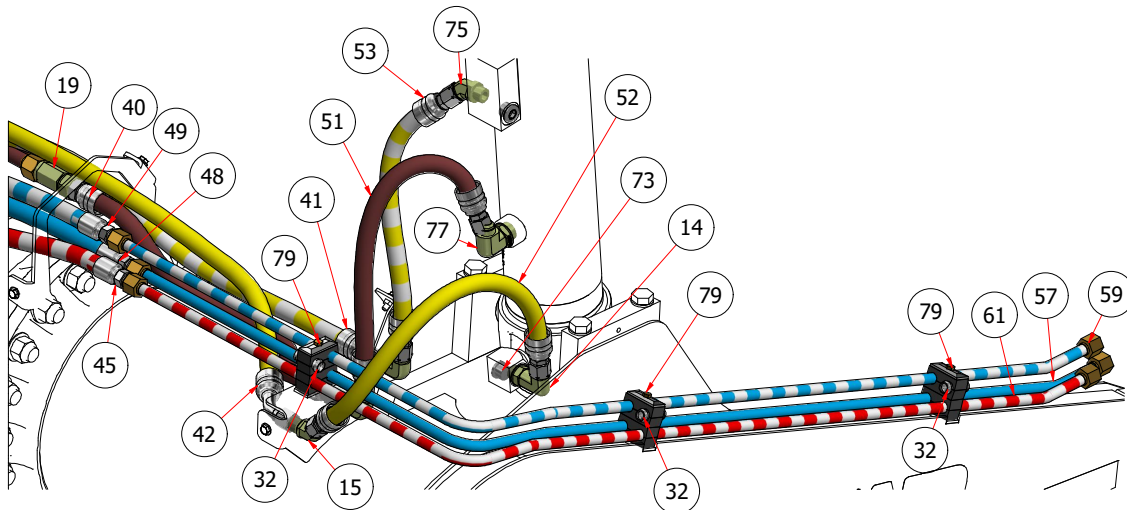
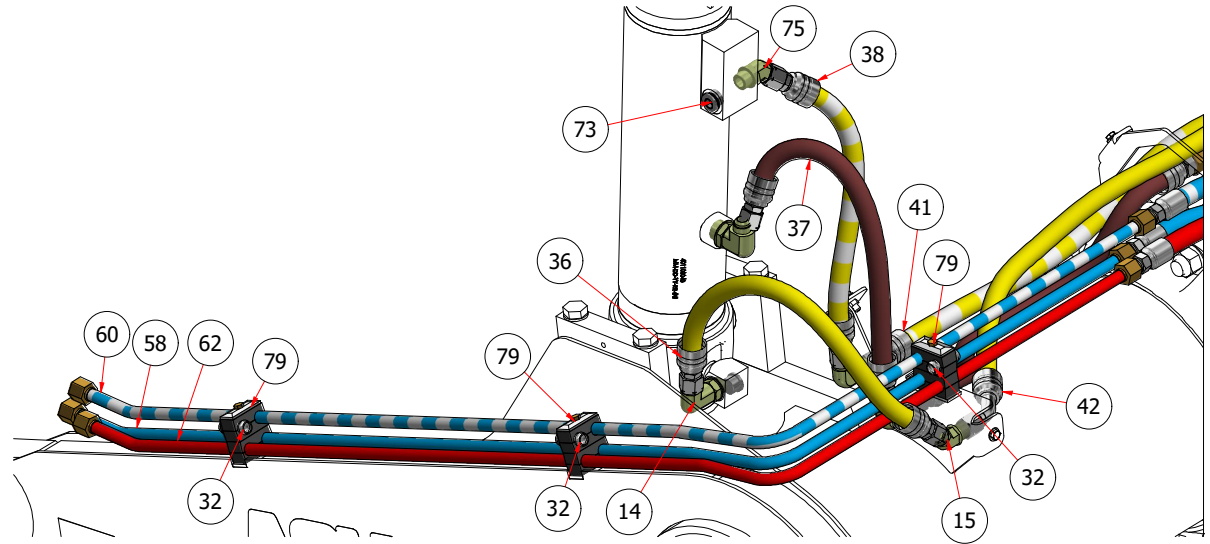
ITEM	QTY	PART NUMBER	REV	DESCRIPTION
2	1	311001000_w_C-CG	A	VALVE BLOCK MOUNT, FRONT SECTION, 1812
3	1	402000010	A	RAMROD ACCUMULATOR
16	2	4071_12mj_12mj_BH_12mj	A	BulkHead Tee MJIC-12 3 way
19	1	4071_16mj_16fjx_16mj	A	Tee MJIC-16 x FJICX-16 x MJIC-16
23	2	407600201	0	P-Clip 1/2"
29	6	407610039 KIT	A	Clamp Assembly
30	2	407610106 Kit	A	Clamp Assembly
31	2	407610175	A	Clamp Assembly 5" Accumulator
41	2	424207014	A	HOSE - 12_62_12FJX 12FJX
42	2	424207015	A	HOSE - 12_63_12FJX 45 12FJX
43	2	424207016	A	HOSE - 12_31.5_16FJX 45 12FJX
44	1	424207017	A	HOSE - 12_52.5_12FJX 45 12MJ
45	1	424207018	A	HOSE - 12_58.5_12FJX 12MJ
46	1	424207019	A	HOSE - 12_50_12FJX 90 12MJ
47	1	424207020	A	HOSE - 12_50_12FJX 12MJ
48	1	424207021	A	HOSE - 12_52_12FJX 90 12MJ
49	1	424207022	A	HOSE - 12_56_12FJX 90 12MJ
55	1	42420XXX-02	A	424_12_4_013.50E_12fjx_16fjx90
56	1	426000423	A	Tube Assembly
63	1	A125174	A	SUN # A601 208 A07 VALVE MANFOLD BLOCK
66	2	AFB-00210	A	CARRIAGE BOLT: 1/2" NC X 1 3/4"
68	2	AFN-00078	A	Nut: Nylock 1/2"-13
70	3	AHA-00041	A	#12SAE ORB Male x #12 37° JIC Male
71	2	AHA-00044	A	Elbow 90 deg MORB-12 x MJIC-12
72	1	AHA-00049	A	TEE 3/4" JIC x 3/4" JIC x 3/4" FEMALE JIC SWIVEL
74	1	AHA-00105	A	3/4 M ORB X 3/4 JIC X 3/4 JIC, T FITTING
78	1	AHA-00137	A	3/4" MALE JIC x 1" MALE ORB
80	2	BLT8C_1-2x4_1-2	0	Bolt Gr. 8 UNC 1/2" x 4-1/2"

SECTION 2.01

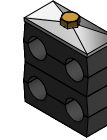
HYDRAULICS

2301 1812 FRONT SECTION
(STANDARD SINGLE)

- REMOTE 1  LIFT UP
- REMOTE 1  LIFT DOWN
- REMOTE 2  GATE CLOSE
- REMOTE 2  GATE OPEN
- REMOTE 3  EJECTOR RETRACT
- REMOTE 3  EJECTOR EXTEND
-  CUSHION RIDE



KITS



407610401 Kit

QTY	DESCRIPTION
1	Bolt Gr. 8 UNC 5/16" x 1-3/4"
4	Hose Clamp Half Twin 3D 19 mm
1	Twin Clamp Safety Locking Plate 2-3D
1	Stacking Bolt 5/16-18 UNC
1	Pipe Clamps DIN 3015, Cover Plate 3D








HYDRAULIC COMPONENTS

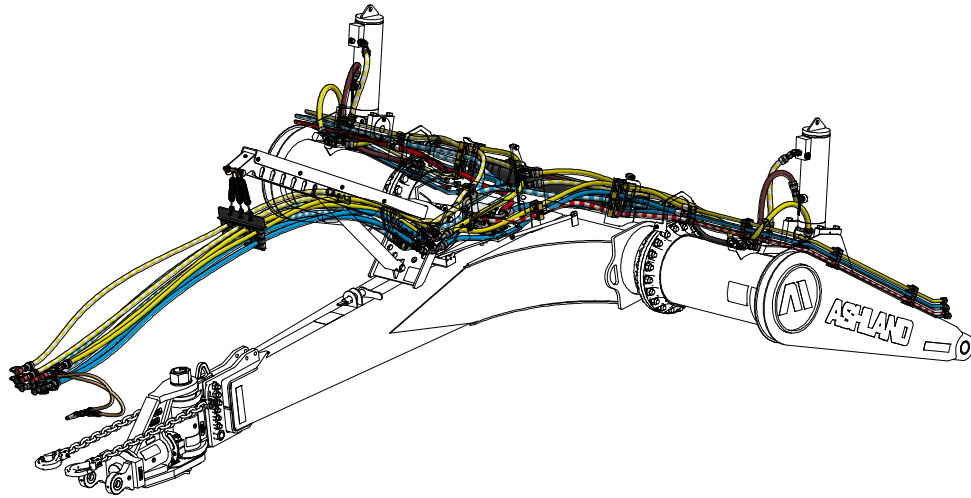
ITEM	QTY	PART NUMBER	REV	DESCRIPTION
14	2	4071_12mb_12mj90_L	0	Elbow 90 deg MORB-12 x MJIC-12 Long
15	2	4071_12mj_12mj45_BH	0	BulkHead Elbow Nipple 45 deg MJIC-12 x MJIC-12
19	1	4071_16mj_16fjx_16mj	A	Tee MJIC-16 x FJIC-16 x MJIC-16
32	6	4076_CS_0750	A	Tube_Clamp Spacer (K 3/4" Bead)
36	1	424204468	0	Hose - 12_026.50E_12fjx 12fjx
37	1	424204469	0	Hose - 12_022.50E_12fjx 12fjx
38	1	424204470	0	Hose - 12_017.50E_12fjx 12fjx
40	2	424207013	A	HOSE - 12_27_12FJX 16MJ
41	2	424207014	A	HOSE - 12_62_12FJX 12FJX
42	2	424207015	A	HOSE - 12_63_12FJX 45 12FJX
45	1	424207018	A	HOSE - 12_58.5_12FJX 12MJ
48	1	424207021	A	HOSE - 12_52_12FJX 90 12MJ
49	1	424207022	A	HOSE - 12_56_12FJX 90 12MJ
51	1	424207029	0	Hose - 12_022.50E_12fjx 12fjx
52	1	424207030	0	Hose - 12_026.50E_12fjx 12fjx
53	1	424207031	0	Hose - 12_017.50E_12fjx 12fjx
57	1	426001208	A	LH GATE EXTEND LINE, FS, 1812
58	1	426001209	A	RH GATE EXTEND LINE, FS, 1812
59	1	426001210	A	LH GATE RETRACT LINE, FS, 1812
60	1	426001211	A	RH GATE RETRACT LINE, FS, 1812
61	1	426001212	A	LH EJECTOR RETRACT LINE, FS, 1812
62	1	426001213	A	RH EJECTOR EXTEND LINE, FS, 1812
73	4	AHA-00094	A	HOLLOW HEX PLUG NO. 12 MALE ORB
75	2	AHA-00127	A	45 DEG. 3/4" MJIC X 3/4" MORB
77	2	AHA-00136	A	90 DEG ELBOW -12 M JIC X -16 M ORB
79	6	AHL-00022	A	CLAMP, HYDRAULIC TUBE, 2 STACK

SECTION 2.01

HYDRAULICS

2301 1812 FRONT SECTION
(STANDARD LEAD)

- REMOTE 1  LIFT UP
- REMOTE 1  LIFT DOWN
- REMOTE 2  GATE CLOSE
- REMOTE 2  GATE OPEN
- REMOTE 3  EJECTOR RETRACT
- REMOTE 3  EJECTOR EXTEND
-  CUSHION RIDE

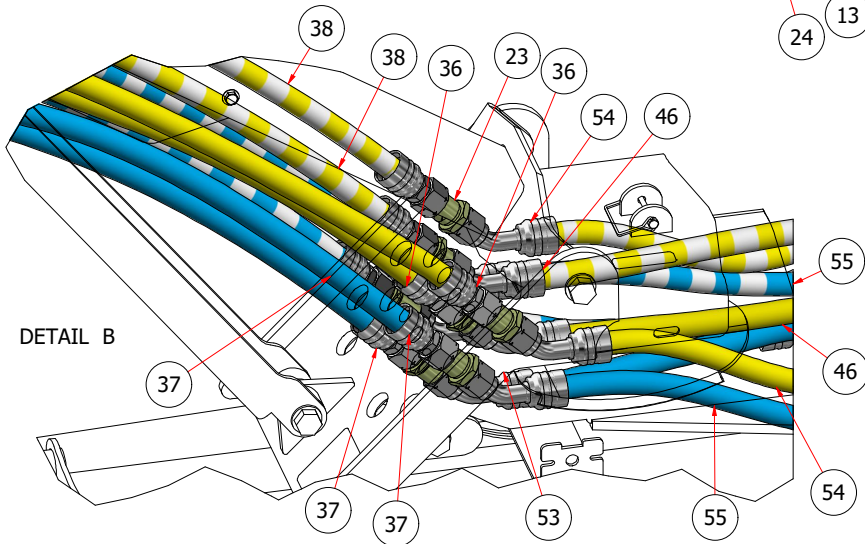
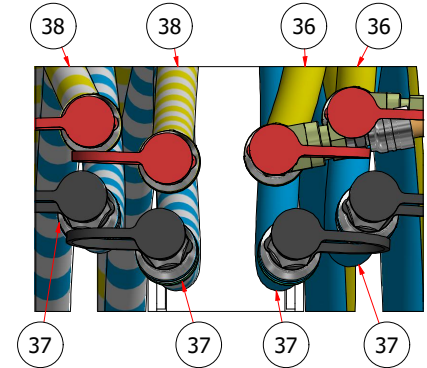
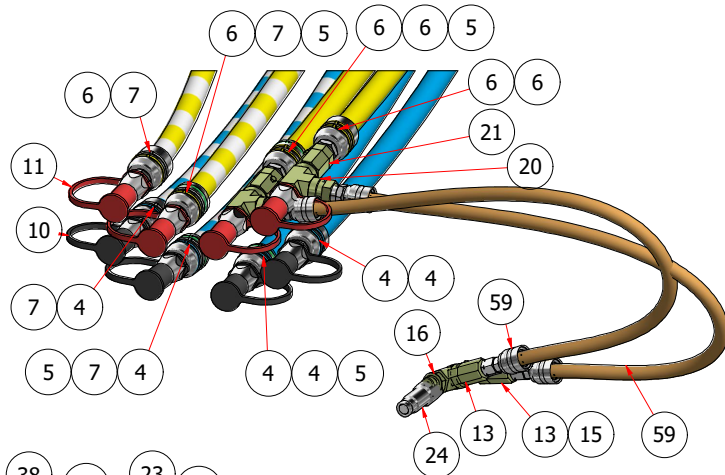
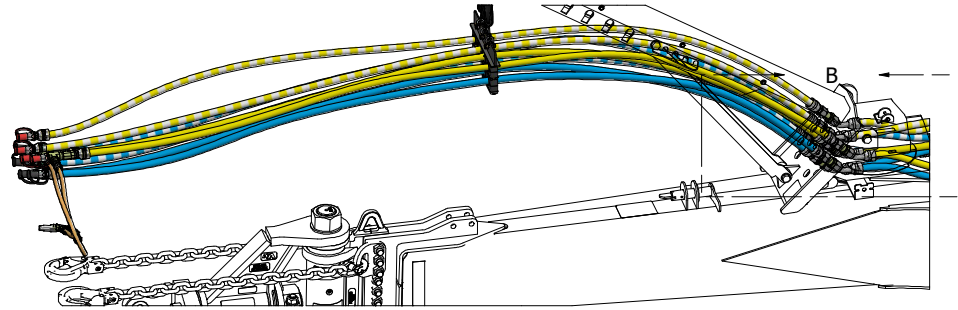
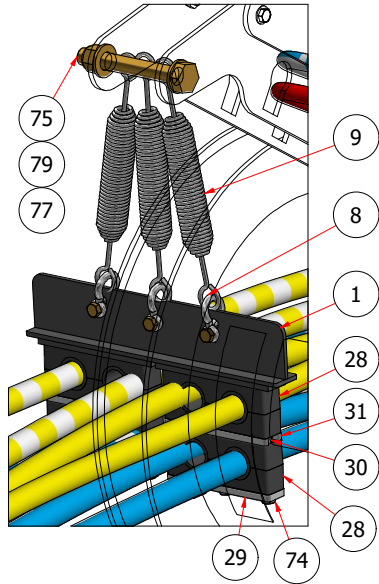


HYDRAULIC COMPONENTS					HYDRAULIC COMPONENTS					HYDRAULIC COMPONENTS				
ITEM	QTY	PART NUMBER	REV	DESCRIPTION	ITEM	QTY	PART NUMBER	REV	DESCRIPTION	ITEM	QTY	PART NUMBER	REV	DESCRIPTION
1	1	301003266_w_H-CG	0	301003266_w_H-CG	30	6	407600334	A	STACKING BOLT AF 55	61	1	426000423	A	Tube Assembly
2	1	311001000_w_C-CG	A	VALVE BLOCK MOUNT, FRONT SECTION, 1812	31	2	407600347	A	STACKING PLATE DOUBLER 55	62	1	426001208	A	LH GATE EXTEND LINE, FS, 1812
3	1	402000010	A	RAMROD ACCUMULATOR	32	10	407610039 KIT	A	*Varies*	63	1	426001209	A	RH GATE EXTEND LINE, FS, 1812
4	6	405000051	0	Light Blue Zip Tie	33	2	407610106 Kit	A	Clamp Assembly	64	1	426001210	A	LH GATE RETRACT LINE, FS, 1812
5	4	405000052	0	Green Zip Tie	34	2	407610175	A	Clamp Assembly 5" Accumulator	65	1	426001211	A	RH GATE RETRACT LINE, FS, 1812
6	6	405000053	0	Yellow Zip Tie	35	4	4076_CS_0750	A	Tube_Clamp Spacer (K 3/4" Bead)	66	1	426001212	A	LH EJECTOR RETRACT LINE, FS, 1812
7	4	405000147	0	White Zip Tie	36	2	42412_130-0012fjx16fjx	A	HOSE - 04_130_12 MNPT 16 FJICX	67	1	426001213	A	RH EJECTOR EXTEND LINE, FS, 1812
8	3	405100075	0	K-TEC CLEVIS, HYDRAULIC BOOM	37	4	42412_133-0012mb16fjx	A	HOSE - 04_133_12 MNPT 16 FJICX	68	1	426001214	A	LH TOP INNER LINE, FS, 1812
9	3	405400007	0	K-TEC HYDRAULIC BOOM SPRING	38	2	42412_135-0012mb16fjx	A	HOSE - 04_130_12 MNPT 16 FJICX	69	1	426001215	A	RH TOP INNER LINE, FS, 1812
10	4	407000073	0	Dust Cap Male 1/2" Body Quick Connect - Black	39	1	424204468	0	Hose - 12_026.50E_12fjx 12fjx	70	1	426001216	A	LH MIDDLE OUTER LINE, FS, 1812
11	4	407000074	0	Dust Cap Male 1/2" Body Quick Connect - Red	40	1	424204469	0	Hose - 12_022.50E_12fjx 12fjx	71	1	426001217	A	RH MIDDLE OUTER LINE, FS, 1812
12	2	407100024	A	REDUCER MNPT - 1/2" X FNPT - 08 (ORIFICE)	41	1	424204470	0	Hose - 12_017.50E_12fjx 12fjx	72	6	600516	A	CLAMP, HYDRAULIC TUBE, 3 STACK
13	2	4071_06mj_06fjx_LS	A	*Varies*	42	1	424207007	A	HOSE - 04_15_16 FJX 45 12 FJX	73	1	A125174	A	SUN # A601 208 A07 VALVE MANFOLD BLOCK
14	1	4071_08mb_06mj	A	4071_08mb_06mj	43	2	424207013	A	HOSE - 12_27_12FJX 16MJ	74	6	AFB-00031	A	HHCS: 3/8 NC x 2-3/4" Gr 5 Zinc
15	2	4071_08mb_06mj90	A	*Varies*	44	2	424207014	A	HOSE - 12_62_12FJX 12FJX	75	1	AFB-00039	A	HHCS: 3/4 NC x 5-1/2" Gr 8 Zinc
16	1	4071_08mb_08fb_08fb	A	4071_08mb_08fb_08fb	45	2	424207015	A	HOSE - 12_63_12FJX 45 12FJX	76	2	AFB-00210	A	CARRIAGE BOLT: 1/2" NC X 1 3/4"
17	2	4071_12mb_12mj90_L	0	Elbow 90 deg MORB-12 x MJIC-12 Long	46	2	424207016	A	HOSE - 12_31.5_16FJX 45 12FJX	77	1	AFN-00046	A	Nut: Nylock 3/4"-10
18	2	4071_12mj_12mj45_BH	0	BulkHead Elbow Nipple 45 deg MJIC-12 x MJIC-12	47	1	424207017	A	HOSE - 12_52.5_12FJX 45 12MJ	78	2	AFN-00078	A	Nut: Nylock 1/2"-13
					48	1	424207018	A	HOSE - 12_58.5_12FJX 12MJ	79	2	AFW-00042	A	3/4" STRUCTURAL WASHER
19	2	4071_12mj_12mj_BH_12mj	A	BulkHead Tee MJIC-12 3 way	49	1	424207019	A	HOSE - 12_50_12FJX 90 12MJ	80	3	AHA-00041	A	#12SAE ORB Male x #12 37° JIC Male
					50	1	424207020	A	HOSE - 12_50_12FJX 12MJ	81	2	AHA-00044	A	Elbow 90 deg MORB-12 x MJIC-12
20	2	4071_12mp_12fp_12fp	A	*Varies*	51	1	424207021	A	HOSE - 12_52_12FJX 90 12MJ	82	1	AHA-00049	A	TEE 3/4" JIC x 3/4" JIC x 3/4" FEMALE JIC SWIVEL
21	2	4071_12mp_12fp_LS	A	*Varies*	52	1	424207022	A	HOSE - 12_56_12FJX 90 12MJ					
22	1	4071_16mj_16fjx_16mj	A	Tee MJIC-16 x FJICX-16 x MJIC-16	53	1	424207023	A	HOSE - 12_17_12FJX 16FJX 45	83	4	AHA-00094	A	HOLLOW HEX PLUG NO. 12 MALE ORB
23	8	4071_16mj_16mj_BH	A	*Varies*	54	2	424207024	A	HOSE - 12_69_16FJX 45 12 MJ	84	1	AHA-00105	A	3/4 M ORB X 3/4 JIC X 3/4 JIC, T FITTING
24	1	407300006	A	TIP FF 3/8" BODY FORB-08	55	2	424207025	0	HOSE - 12_69.5_16FJX 45 12 MJ	85	2	AHA-00127	A	45 DEG. 3/4" MJIC X 3/4" MORB
25	8	407300086	A	MALE TIP - 12 FNPT X 1/2" BODY (ISO 5675)	56	1	424207029	0	Hose - 12_022.50E_12fjx 12fjx	86	4	AHA-00128	A	90 DEG. 3/4" MALE JIC X 3/4" MALE JIC BULKHEAD
26	2	407600201	0	P-Clip 1/2"	57	1	424207030	0	Hose - 12_026.50E_12fjx 12fjx					
27	8	407600324	A	RUBBER INSERT: 30 MM	58	1	424207031	0	Hose - 12_017.50E_12fjx 12fjx	87	2	AHA-00136	A	90 DEG ELBOW -12 M JIC X -16 M ORB
28	8	407600325	A	CLAMP BLOCK DUAL: 19 MM (SET OF TWO PIECES)	59	2	424_06_4_039.00E_06fjx 08mp	A	424_06_4_039.00E_06fjx 08mp	88	1	AHA-00137	A	3/4" MALE JIC x 1" MALE ORB
29	2	407600327	A	COVER PLATE TYPE (DPAD)	60	1	424_12_4_013.50E_12fjx 16fjx90	A	424_12_4_013.50E_12fjx 16fjx90	89	2	BLT8C_1-2x4_1-2	0	Bolt Gr. 8 UNC 1/2" x 4-1/2"

SECTION 2.01

HYDRAULICS

2301 1812 FRONT SECTION
(STANDARD LEAD)



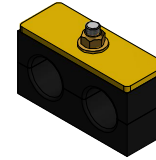
HYDRAULIC COMPONENTS				
ITEM	QTY	PART NUMBER	REV	DESCRIPTION
1	1	301003266_w_H-CG	0	301003266_w_H-CG
4	6	405000051	0	Light Blue Zip Tie
5	4	405000052	0	Green Zip Tie
6	6	405000053	0	Yellow Zip Tie
7	4	405000147	0	White Zip Tie
8	3	405100075	0	K-TEC CLEVIS, HYDRAULIC BOOM
9	3	405400007	0	K-TEC HYDRAULIC BOOM SPRING
10	4	407000073	0	Dust Cap Male 1/2" Body Quick Connect - Black
11	4	407000074	0	Dust Cap Male 1/2" Body Quick Connect - Red
13	2	4071_06mj_06fjx_LS	A	*Varies*
15	2	4071_08mb_06mj90	A	*Varies*
16	1	4071_08mb_08fb_08fb	A	4071_08mb_08fb_08fb
20	2	4071_12mp_12fp_12fp	A	*Varies*
21	2	4071_12mp_12fp_LS	A	*Varies*
23	8	4071_16mj_16mj_BH	A	*Varies*
24	1	407300006	A	TIP FF 3/8" BODY FORB-08
28	8	407600325	A	CLAMP BLOCK DUAL: 19 MM (SET OF TWO PIECES)
29	2	407600327	A	COVER PLATE TYPE (DPAD)
30	6	407600334	A	STACKING BOLT AF 55
31	2	407600347	A	STACKING PLATE DOUBLER 55
36	2	42412_130-0012fjx16fjx	A	HOSE - 04_130_12 MNPT 16 FJICX
37	4	42412_133-0012mb16fjx	A	HOSE - 04_133_12 MNPT 16 FJICX
38	2	42412_135-0012mb16fjx	A	HOSE - 04_130_12 MNPT 16 FJICX
46	2	424207016	A	HOSE - 12_31.5_16FJX 45 12FJX
53	1	424207023	A	HOSE - 12_17_12FJX 16FJX 45
54	2	424207024	0	HOSE - 12_69_16FJX 45 12 MJ
55	2	424207025	0	HOSE - 12_69.5_16FJX 45 12 MJ
59	2	424_06_4_039.00E_06fjx 08mp	A	424_06_4_039.00E_06fjx 08mp
74	6	AFB-00031	A	HHCS: 3/8 NC x 2-3/4" Gr 5 Zinc
75	1	AFB-00039	A	HHCS: 3/4 NC x 5-1/2" Gr 8 Zinc
77	1	AFN-00046	A	Nut: Nylock 3/4"-10
79	2	AFW-00042	A	3/4" STRUCTURAL WASHER

SECTION 2.01

HYDRAULICS

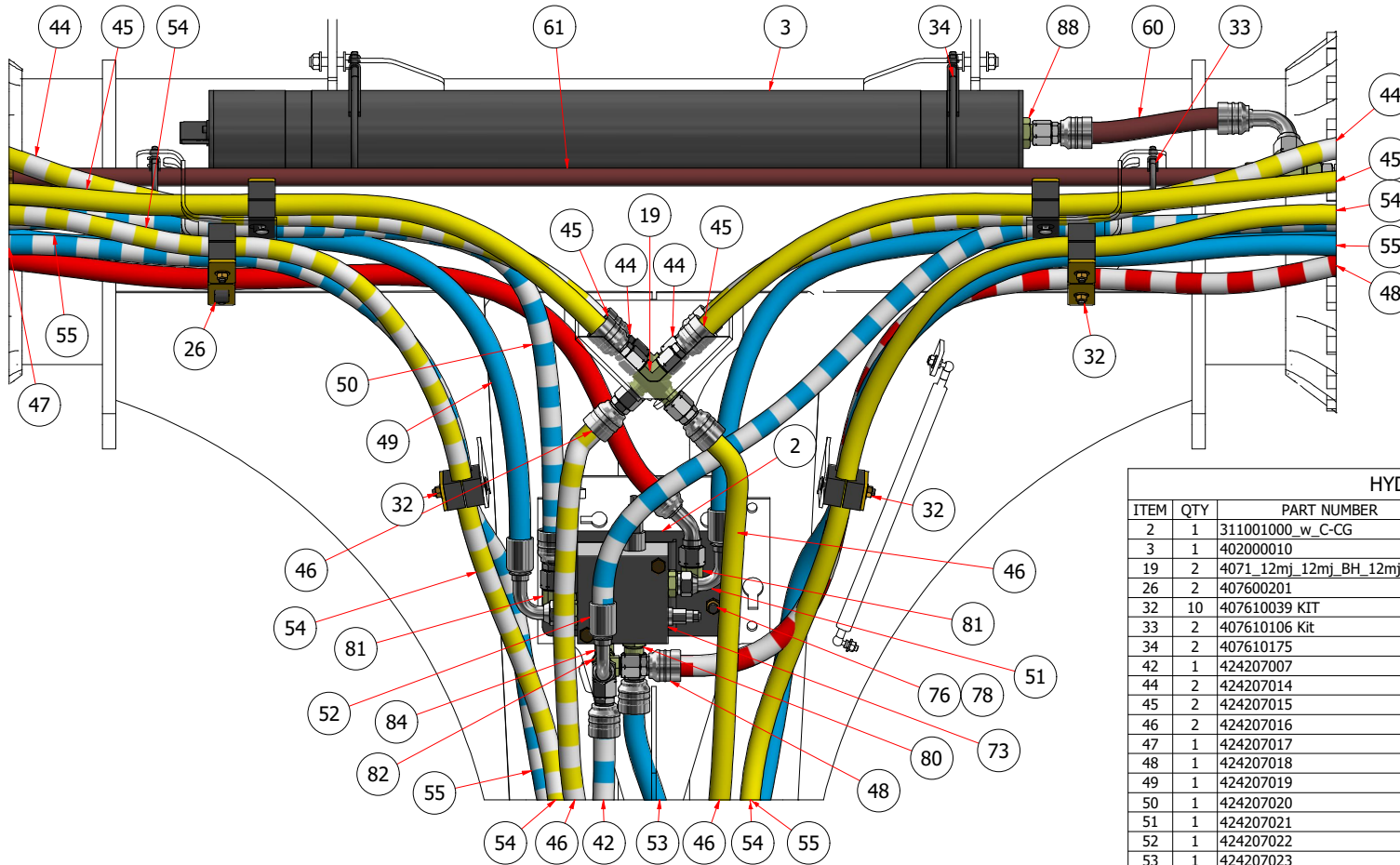
2301 1812 FRONT SECTION
(STANDARD LEAD)

KITS



407610039

QTY	DESCRIPTION
1	Bolt Gr. 5 UNC 3/8" x 3" Carriage
2	Clamp twin .75" hyd. hose
1	Nut Gr. 8 UNC 3/8" Stover Lock
1	Plate 1.2" Twin Clamp
1	Washer Gr. 8 - 3/8" Structural



- REMOTE 1 LIFT UP
- REMOTE 1 LIFT DOWN
- REMOTE 2 GATE CLOSE
- REMOTE 2 GATE OPEN
- REMOTE 3 EJECTOR RETRACT
- REMOTE 3 EJECTOR EXTEND
- CUSHION RIDE

HYDRAULIC COMPONENTS

ITEM	QTY	PART NUMBER	REV	DESCRIPTION
2	1	311001000_w_C-CG	A	VALVE BLOCK MOUNT, FRONT SECTION, 1812
3	1	402000010	A	RAMROD ACCUMULATOR
19	2	4071_12mj_12mj_BH_12mj	A	BulkHead Tee MJIC-12 3 way
26	2	407600201	0	P-Clip 1/2"
32	10	407610039 KIT	A	*Varies*
33	2	407610106 Kit	A	Clamp Assembly
34	2	407610175	A	Clamp Assembly 5" Accumulator
42	1	424207007	A	HOSE - 04_15_16 FJX 45 12 FJX
44	2	424207014	A	HOSE - 12_62_12FJX 12FJX
45	2	424207015	A	HOSE - 12_63_12FJX 45 12FJX
46	2	424207016	A	HOSE - 12_31.5_16FJX 45 12FJX
47	1	424207017	A	HOSE - 12_52.5_12FJX 45 12MJ
48	1	424207018	A	HOSE - 12_58.5_12FJX 12MJ
49	1	424207019	A	HOSE - 12_50_12FJX 90 12MJ
50	1	424207020	A	HOSE - 12_50_12FJX 12MJ
51	1	424207021	A	HOSE - 12_52_12FJX 90 12MJ
52	1	424207022	A	HOSE - 12_56_12FJX 90 12MJ
53	1	424207023	A	HOSE - 12_17_12FJX 16FJX 45
54	2	424207024	0	HOSE - 12_69_16FJX 45 12 MJ
55	2	424207025	0	HOSE - 12_69.5_16FJX 45 12 MJ
60	1	424_12_4_013.50E_12fjx 16fjx90	A	424_12_4_013.50E_12fjx 16fjx90
61	1	426000423	A	Tube Assembly
73	1	A125174	A	SUN # A601 208 A07 VALVE MANFOLD BLOCK
76	2	AFB-00210	A	CARRIAGE BOLT: 1/2" NC X 1 3/4"
78	2	AFN-00078	A	Nut: Nylock 1/2"-13
80	3	AHA-00041	A	#12SAE ORB Male x #12 37° JIC Male
81	2	AHA-00044	A	Elbow 90 deg MORB-12 x MJIC-12
82	1	AHA-00049	A	TEE 3/4" JIC x 3/4" JIC x 3/4" FEMALE JIC SWIVEL
84	1	AHA-00105	A	3/4 M ORB X 3/4 JIC X 3/4 JIC, T FITTING
88	1	AHA-00137	A	3/4" MALE JIC x 1" MALE ORB

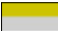






*WHEN SERVICING CYLINDERS
MAKE SURE TO RECHARGE ACCUMULATOR.

1812 = 1450 psi

SECTION 2.01

HYDRAULICS

2301 1812 FRONT SECTION
(STANDARD LEAD)

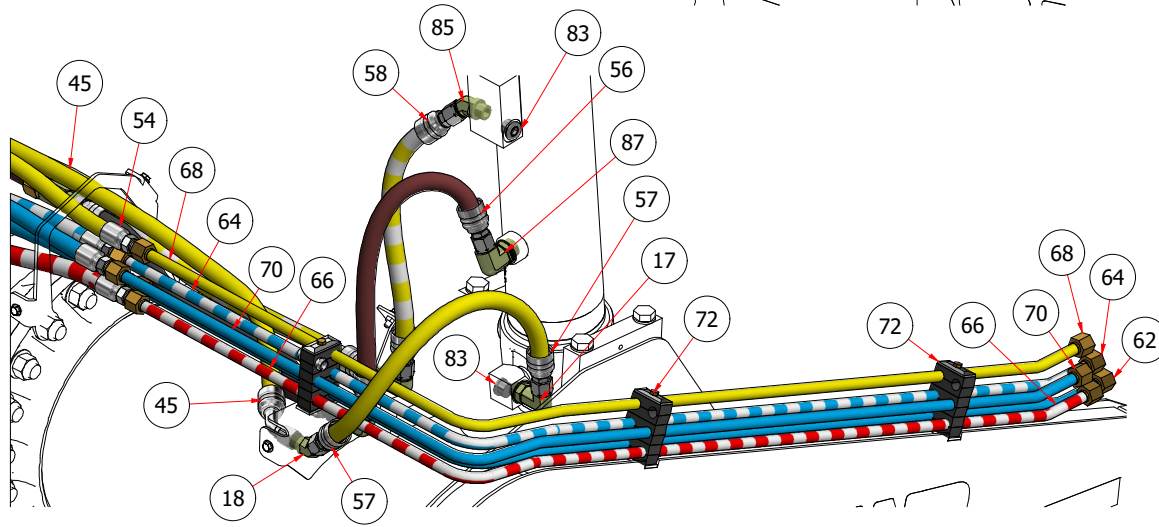
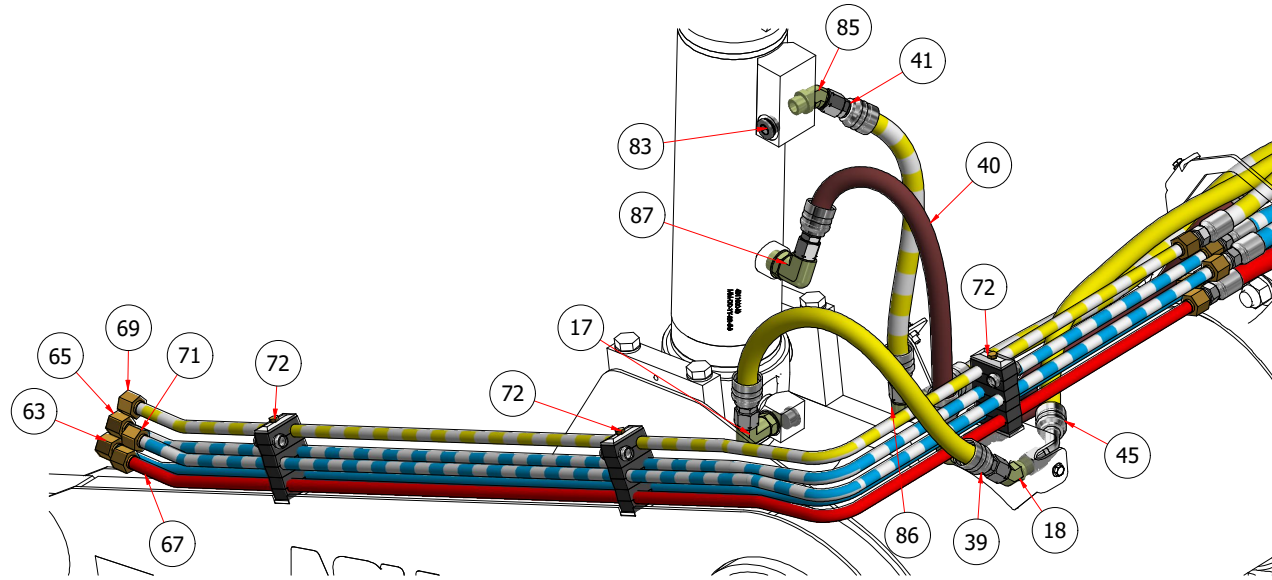
- REMOTE 1  LIFT UP
- REMOTE 1  LIFT DOWN
- REMOTE 2  GATE CLOSE
- REMOTE 2  GATE OPEN
- REMOTE 3  EJECTOR RETRACT
- REMOTE 3  EJECTOR EXTEND
-  CUSHION RIDE

KITS



407610402 Kit

QTY	DESCRIPTION
1	Bolt Gr. 8 UNC 5/16" x 1-3/4"
6	Hose Clamp Half Twin 3D 19 mm
2	Twin Clamp Safety Locking Plate 2-3D
2	Stacking Bolt 5/16-18 UNC
1	Pipe Clamps Twin, Cover Plate



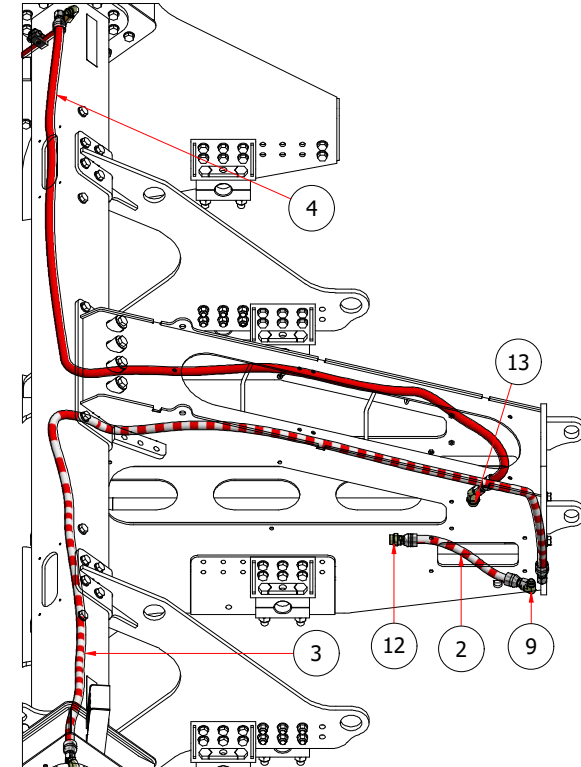
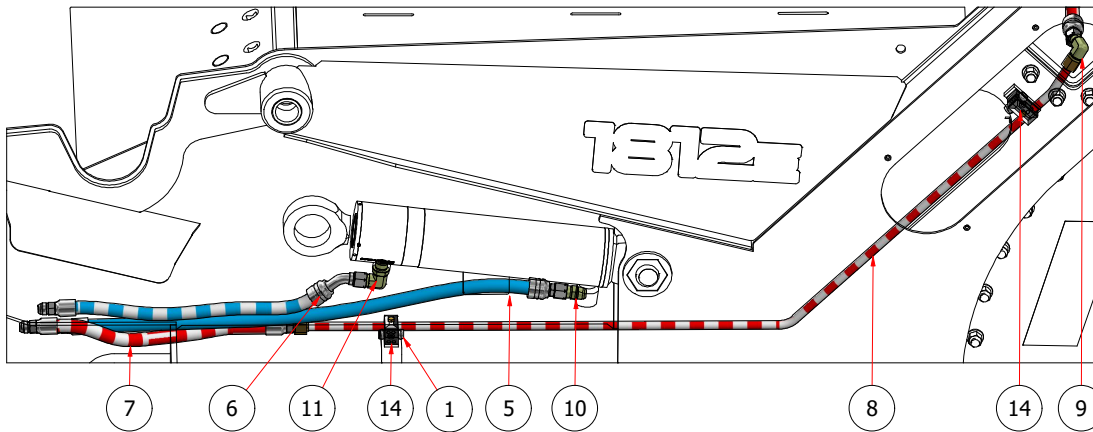
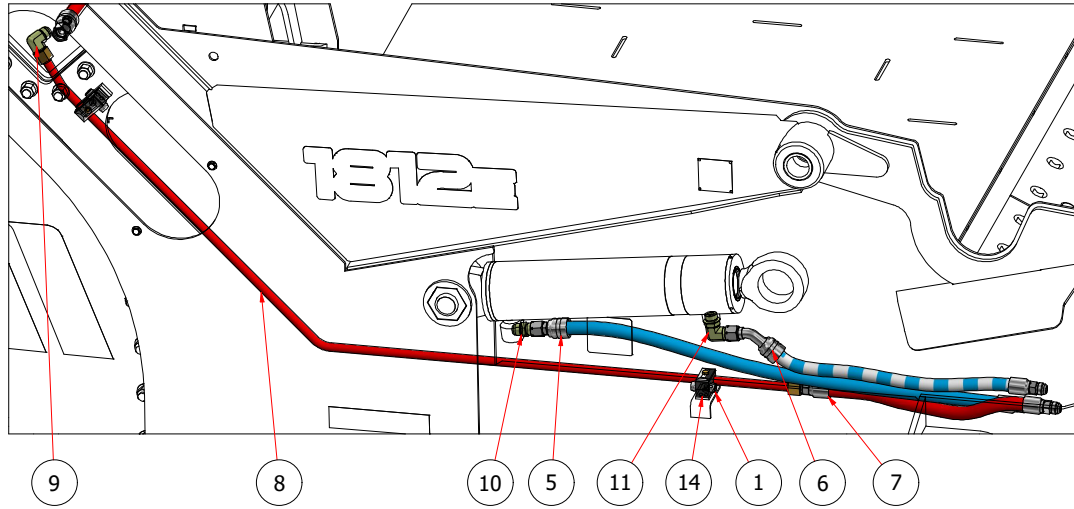
HYDRAULIC COMPONENTS

ITEM	QTY	PART NUMBER	REV	DESCRIPTION
17	2	4071_12mb_12mj90_L	0	Elbow 90 deg MORB-12 x MJIC-12 Long
18	2	4071_12mj_12mj45_BH	0	BulkHead Elbow Nipple 45 deg MJIC-12 x MJIC-12
39	1	424204468	0	Hose - 12_026.50E_12fjx 12fjx
40	1	424204469	0	Hose - 12_022.50E_12fjx 12fjx
41	1	424204470	0	Hose - 12_017.50E_12fjx 12fjx
45	2	424207015	A	HOSE - 12_63_12FJX 45 12FJX
54	2	424207024	0	HOSE - 12_69_16FJX 45 12 MJ
56	1	424207029	0	Hose - 12_022.50E_12fjx 12fjx
57	1	424207030	0	Hose - 12_026.50E_12fjx 12fjx
58	1	424207031	0	Hose - 12_017.50E_12fjx 12fjx
62	1	426001208	A	LH GATE EXTEND LINE, FS, 1812
63	1	426001209	A	RH GATE EXTEND LINE, FS, 1812
64	1	426001210	A	LH GATE RETRACT LINE, FS, 1812
65	1	426001211	A	RH GATE RETRACT LINE, FS, 1812
66	1	426001212	A	LH EJECTOR RETRACT LINE, FS, 1812
67	1	426001213	A	RH EJECTOR EXTEND LINE, FS, 1812
68	1	426001214	A	LH TOP INNER LINE, FS, 1812
69	1	426001215	A	RH TOP INNER LINE, FS, 1812
70	1	426001216	A	LH MIDDLE OUTER LINE, FS, 1812
71	1	426001217	A	RH MIDDLE OUTER LINE, FS, 1812
72	6	600516	A	CLAMP, HYDRAULIC TUBE, 3 STACK
83	4	AHA-00094	A	HOLLOW HEX PLUG NO. 12 MALE ORB
85	2	AHA-00127	A	45 DEG. 3/4" MJIC X 3/4" MORB
86	4	AHA-00128	A	90 DEG. 3/4" MALE JIC X 3/4" MALE JIC BULKHEAD
87	2	AHA-00136	A	90 DEG ELBOW -12 M JIC X -16 M ORB

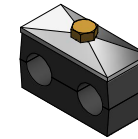
SECTION 2.02

HYDRAULICS

2301 1812 SHELL
(STANDARD SINGLE)



KITS



407610400 Kit

QTY	DESCRIPTION
1	Bolt Gr. 8 UNC 5/16" x 1-3/4"
2	Hose Clamp Half Twin 3D 19 mm
1	Pipe Clamps Twin Series DIN 3015, Cover Plate 3D

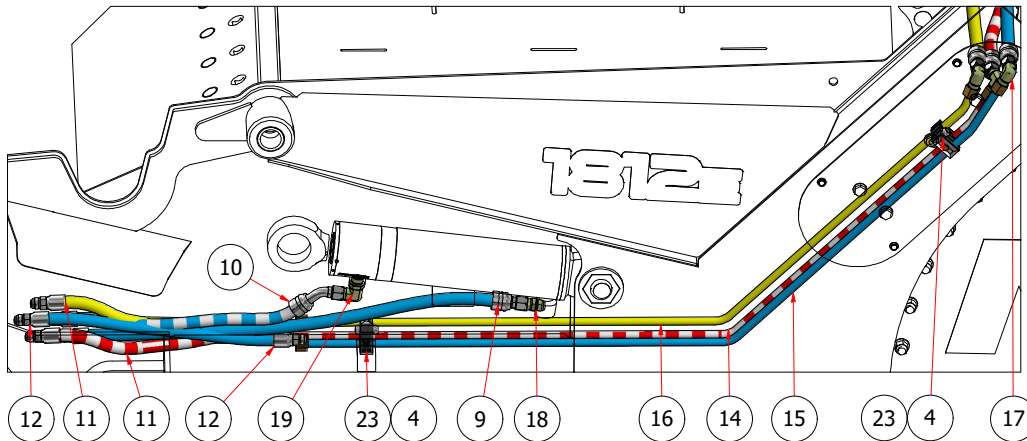
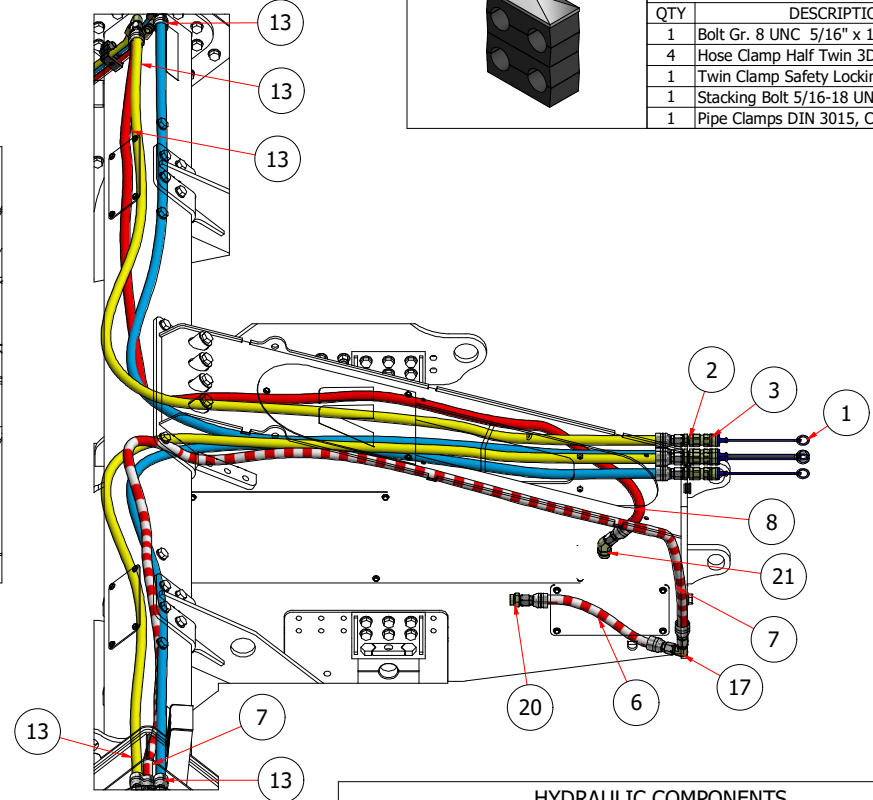
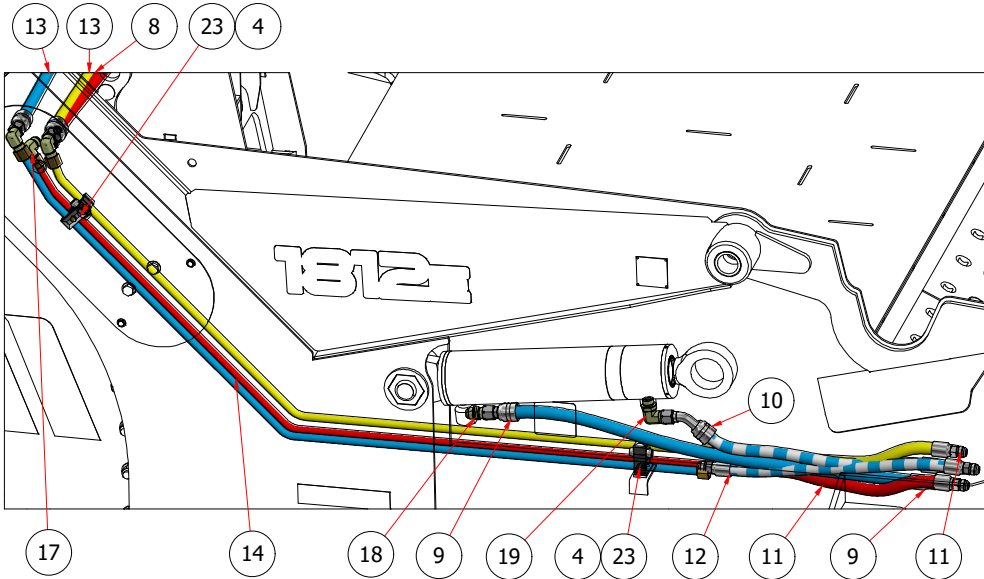
HYDRAULIC COMPONENTS

ITEM	QTY	PART NUMBER	REV	DESCRIPTION
1	4	4076_CS_0750	A	Tube_Clamp Spacer (K 3/4" Bead)
2	1	424207000	A	HOSE - 04_15.0_12FJX 12FJX
3	1	424207002	A	HOSE - 04_150.0_12FJX 12FJX
4	1	424207003	A	HOSE - 04_131.5_12FJX 12FJX
5	2	424207006	A	HOSE - 04_40.5_12FJX 12MJ
6	2	424207008	A	HOSE - 04_23.5_12 MJ 12FJX 45
7	2	424207009	A	HOSE - 04_19_12 MJ 12MJ
8	2	426001204	B	EJECTOR HARD LINE BOWL, 1812
9	3	AHA-00019	A	90° 3/4" MJ X 3/4" MJ
10	2	AHA-00032	B	STRAIGHT 3/4" MJIC X 3/4" MJIC
11	2	AHA-00044	A	Elbow 90 deg MORB-12 x MJIC-12
12	1	AHA-00137	A	3/4" MALE JIC x 1" MALE ORB
13	1	AHA-00138	A	45 DEG. 3/4" MALE JIC x 1" MALE ORB
14	4	AHL-00002	A	Clamp Assembly

SECTION 2.02

HYDRAULICS

2301 1812 SHELL
(STANDARD LEAD)



KITS	
407610401 Kit	
QTY	DESCRIPTION
1	Bolt Gr. 8 UNC 5/16" x 1-3/4"
4	Hose Clamp Half Twin 3D 19 mm
1	Twin Clamp Safety Locking Plate 2-3D
1	Stacking Bolt 5/16-18 UNC
1	Pipe Clamps DIN 3015, Cover Plate 3D

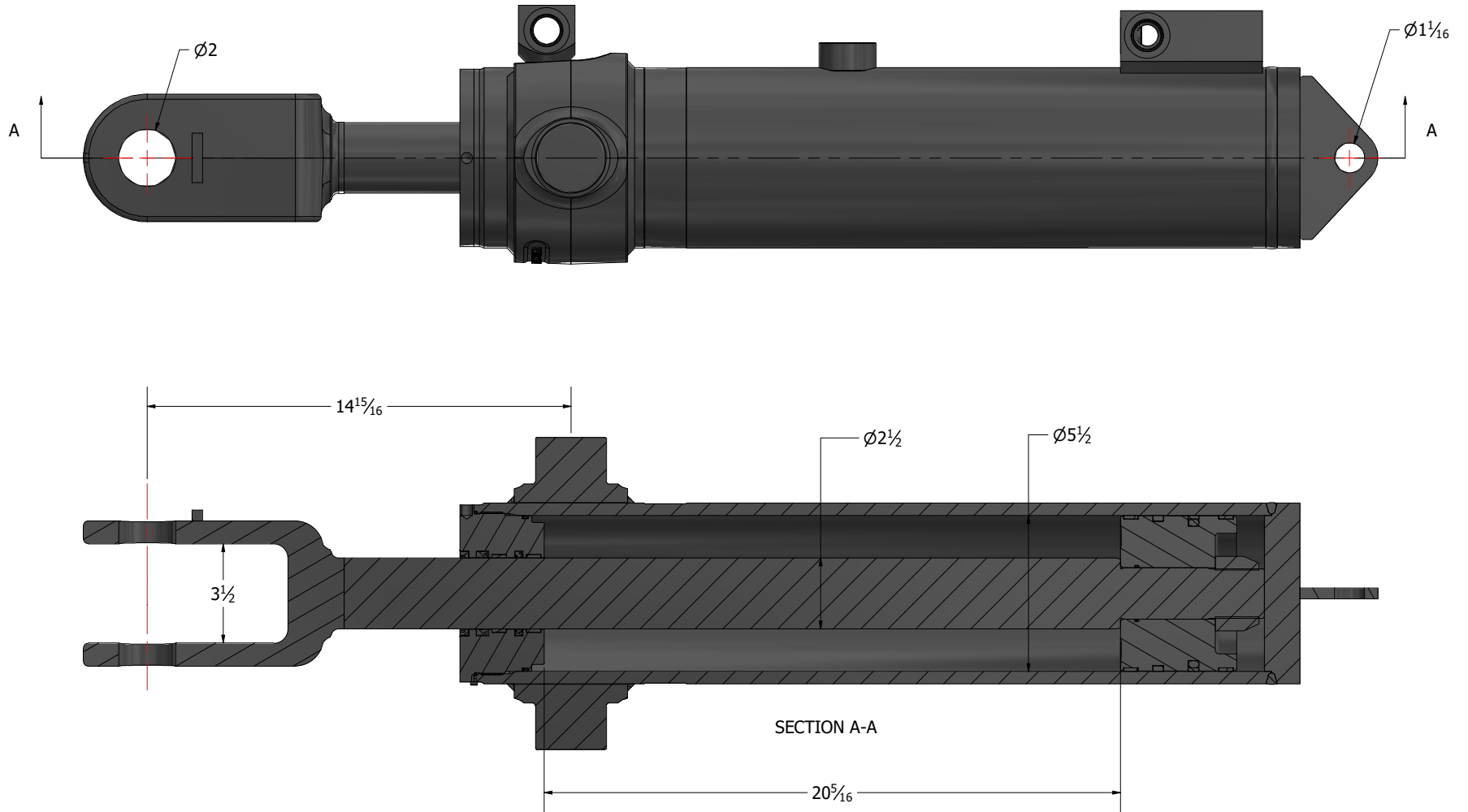


HYDRAULIC COMPONENTS				
ITEM	QTY	PART NUMBER	REV	DESCRIPTION
1	4	407000059	0	Coupler Plug 1/2"
2	4	4071_12mj_12mb_BH	0	BulkHead MJIC-12 x MORB-12
3	4	407300089	0	Quick Coupler 1/2" Body ORB -12 (ISO 7241)
4	4	4076_CS_0750	A	Tube_Clamp Spacer (K 3/4" Bead)
5	2	410300005	0	Plastic Plug 21/32" x 1-1/4" (1.09"-1.20" ID)
6	1	424207000	A	HOSE - 04_15.0_12FJX 12FJX
7	1	424207002	A	HOSE - 04_150.0_12FJX 12FJX
8	1	424207003	A	HOSE - 04_131.5_12FJX 12FJX
9	2	424207006	A	HOSE - 04_40.5_12FJX 12MJ
10	2	424207008	A	HOSE - 04_23.5_12 MJ 12FJX 45
11	4	424207009	A	HOSE - 04_19_12 MJ 12MJ
12	2	424207026	0	HOSE - 12_23.5_12 MJ 12 MJ
13	4	424207028	0	133" HOSE 12 FJIC X 12 FJIC
14	2	426001204	B	EJECTOR HARD LINE BOWL, 1812
15	2	426001205	B	BOTTOM OUTER LINE, BOWL, 1812
16	2	426001206	B	TOP INNER LINE, BOWL, 1812
17	7	AHA-00019	A	90° 3/4" MJ X 3/4" MJ
18	2	AHA-00032	B	ADAPTER, STRAIGHT 3/4" MJIC X 3/4" MJIC
19	2	AHA-00044	A	Elbow 90 deg MORB-12 x MJIC-12
20	1	AHA-00137	A	3/4" MALE JIC x 1" MALE ORB
21	1	AHA-00138	A	45 DEG. 3/4" MALE JIC x 1" MALE ORB
22	2	AHL-00002	A	Clamp Assembly
23	4	AHL-00022	A	CLAMP, HYDRAULIC TUBE, 2 STACK

SECTION 3.00

HYDRAULIC CYLINDERS

2301 1812 LIFT CYLINDER



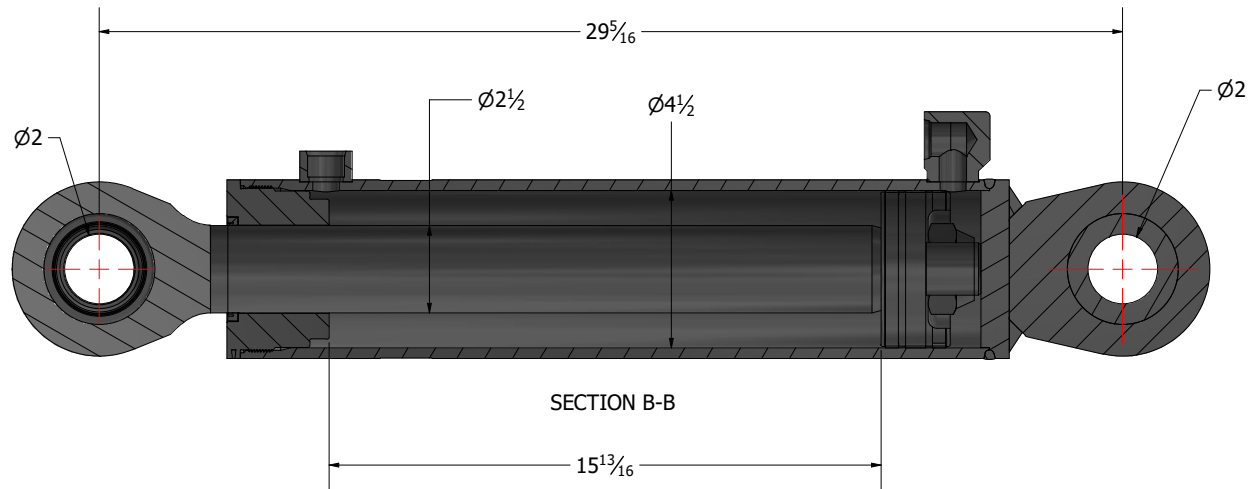
Seal Kit # 432667P
Ashland 401100040 (RR 150645)

401100040

SECTION 3.00

HYDRAULIC CYLINDERS

2301 1812 GATE CYLINDER



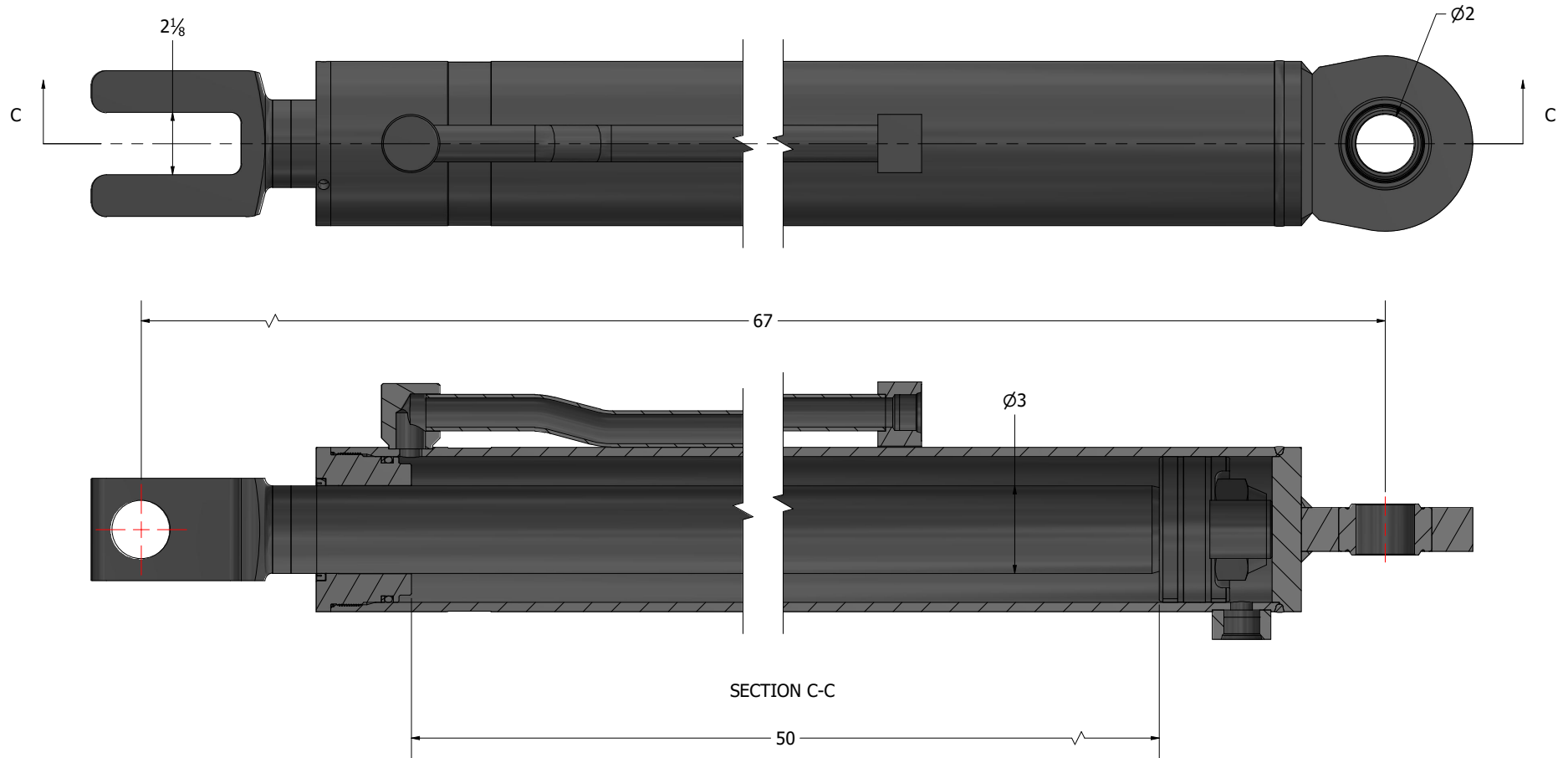
Seal Kit # 432228P
Ashland 400804 (RR 140604)

401200026

SECTION 3.00

HYDRAULIC CYLINDERS

2301 1812 EJECTOR CYLINDER



Seal Kit # 432406P
Ashland 400803 (RR 150607)

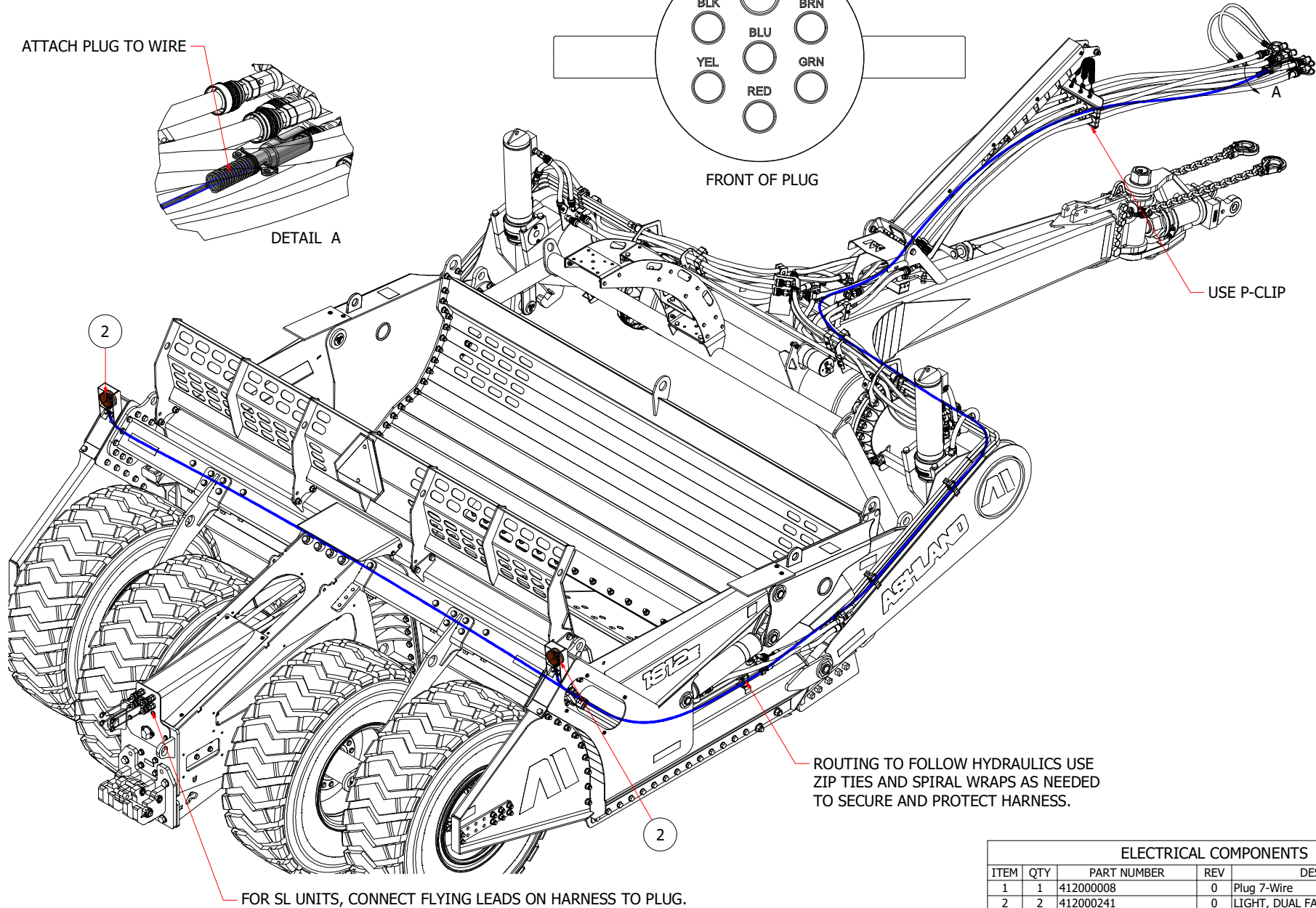
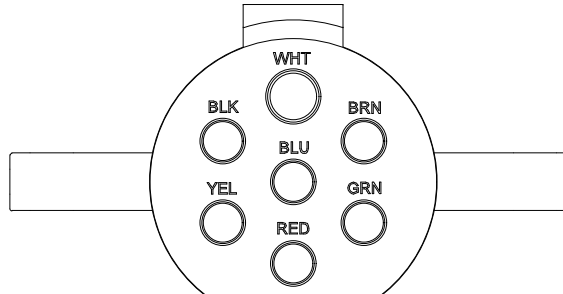
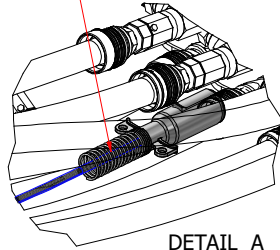
401300046

SECTION 4.00

ELECTRICAL

2301 1812 ELECTRICAL ROUTING (STANDARD AND LEAD)

ATTACH PLUG TO WIRE



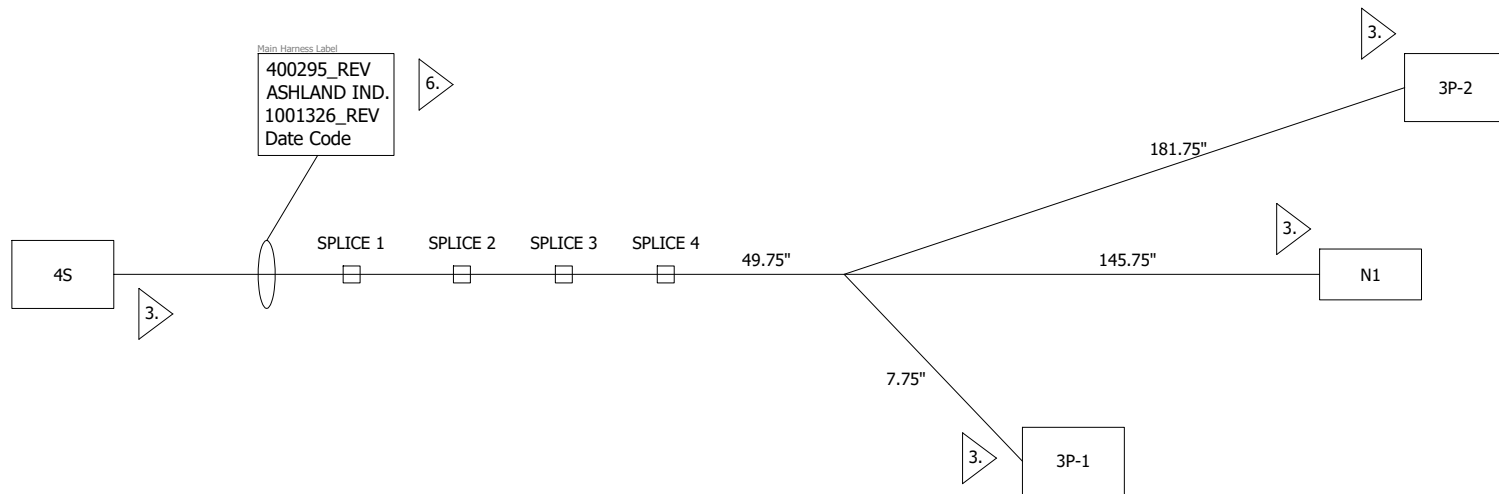
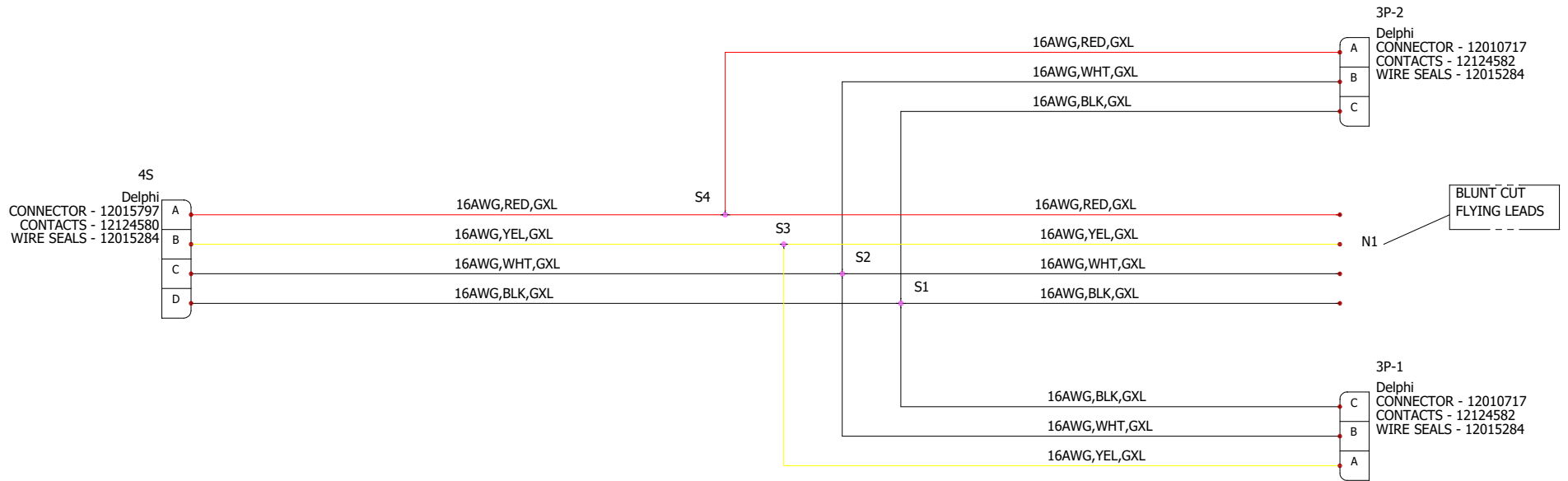
ELECTRICAL COMPONENTS

ITEM	QTY	PART NUMBER	REV	DESCRIPTION
1	1	412000008	0	Plug 7-Wire
2	2	412000241	0	LIGHT, DUAL FACE LED, ETRAILER
3	1	412630091 (Fits 1812)	0	Standard Tail Light Harness

SECTION 4.00

ELECTRICAL

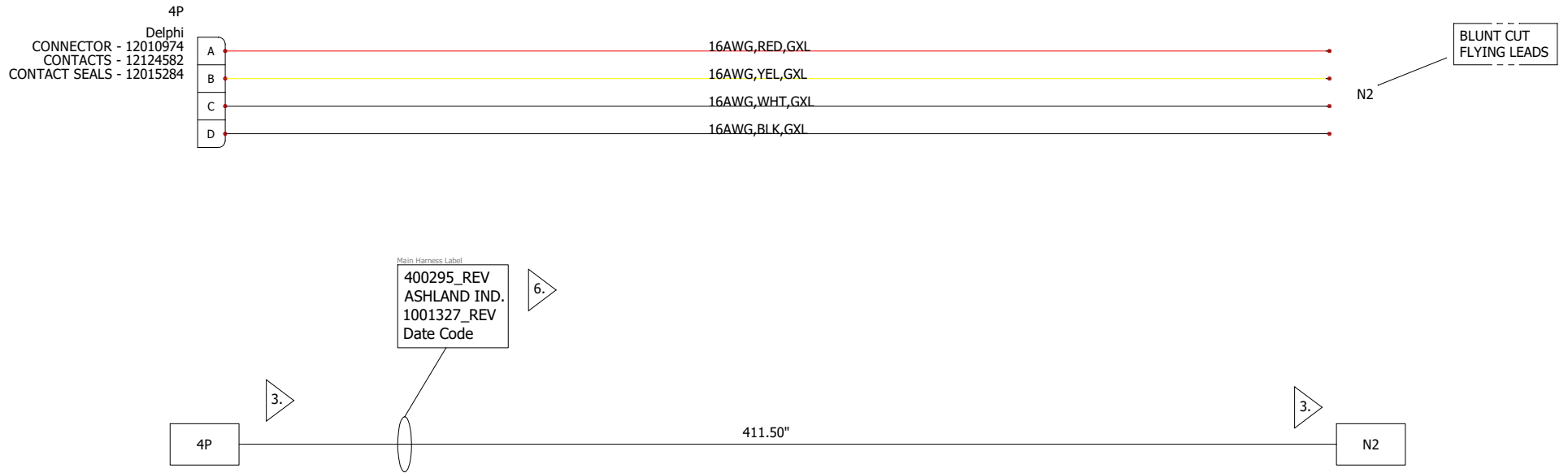
412630091 HARNESS DIAGRAM



SECTION 4.00

ELECTRICAL

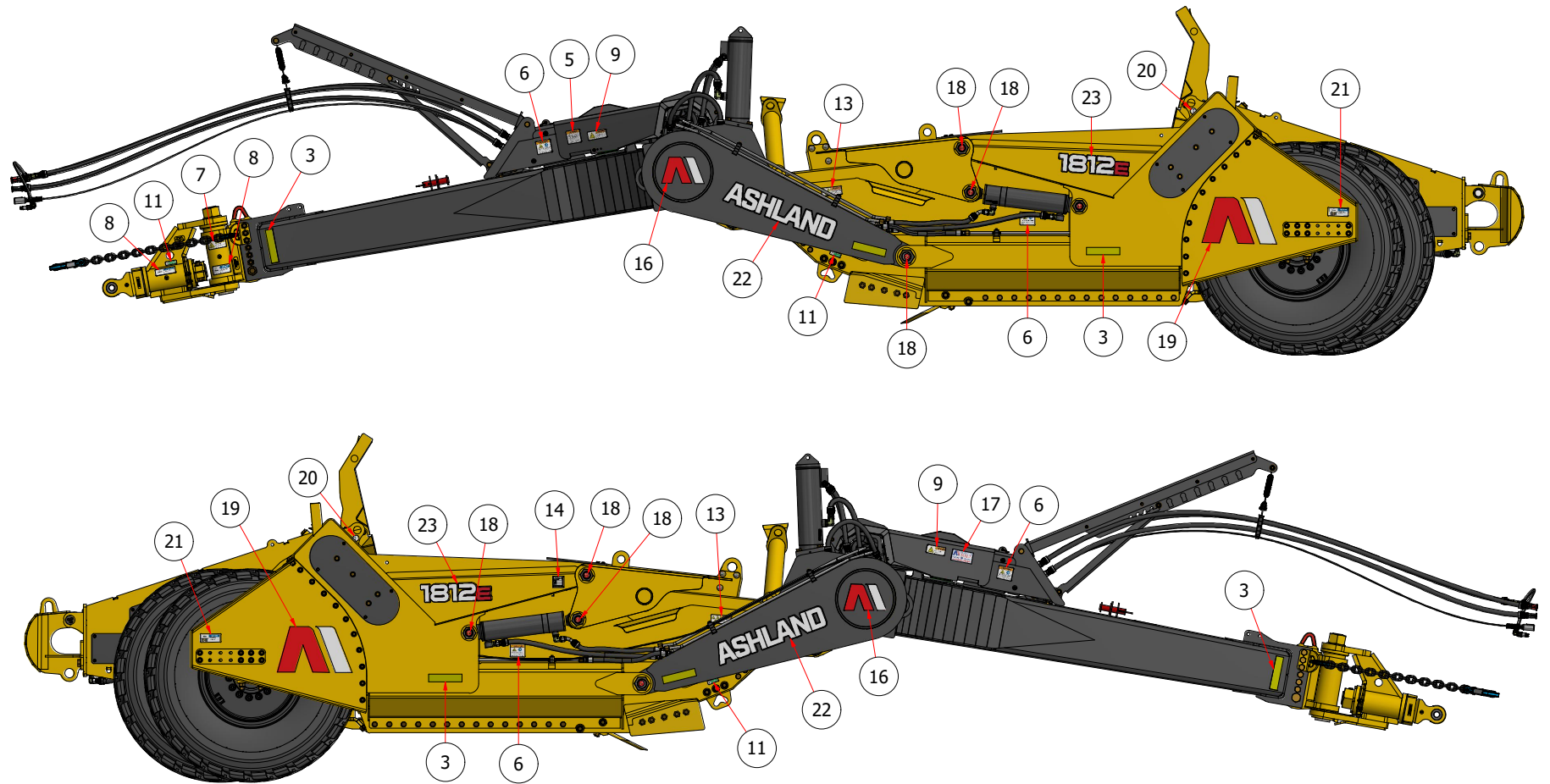
412630091 HARNESS DIAGRAM



SECTION 5.00

DECALS

2301 1812

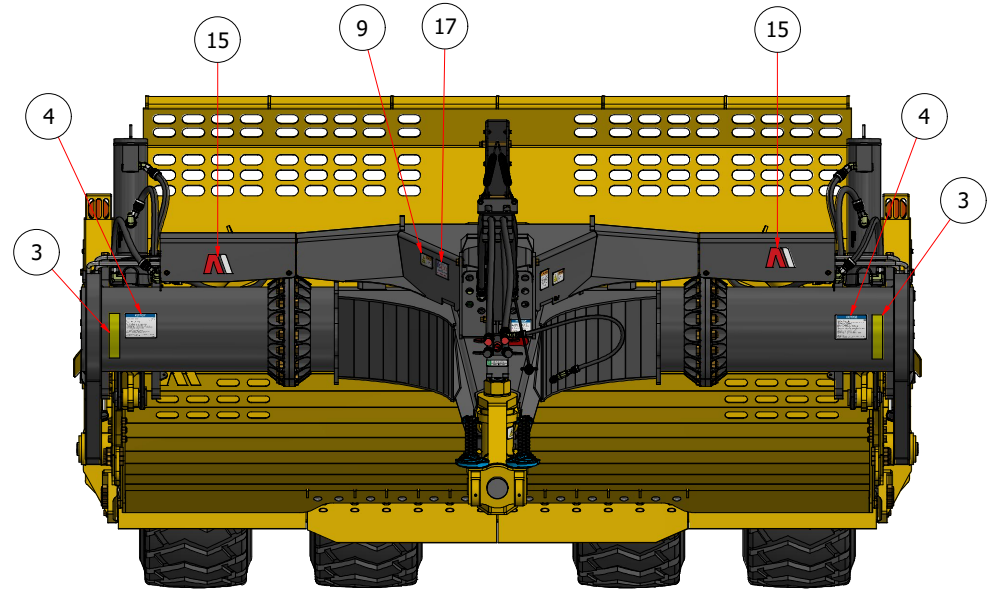
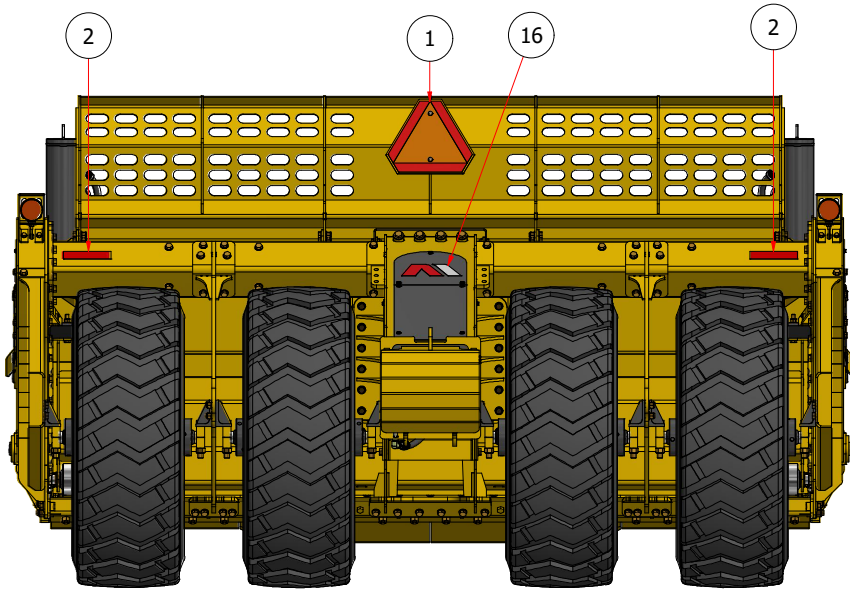


DECALS					DECALS					DECALS				
ITEM	QTY	PART NUMBER	REV	DESCRIPTION	ITEM	QTY	PART NUMBER	REV	DESCRIPTION	ITEM	QTY	PART NUMBER	REV	DESCRIPTION
17	1	411000277	0	Decal - American Built	9	2	411000064	2	Decal - Warning Fall Hazard	1	1	411000002	0	Decal - SMV Sign
18	12	411000278	1	Decal - Greaseless Point Round	10	2	411000097	1	Decal - Warning TH Pinch Small	2	2	411000003	0	Decal - Reflective Tape, Red
19	2	411000279	0	Decal - AI Logo Extra Large	11	3	411000102	1	Decal - Safety Tie Down	3	8	411000004	0	Decal - Reflective Tape, Yellow
20	4	411000281	0	Decal - Lift Point Round	12	1	411000207	0	Decal - Notice Color Code	4	2	411000034	1	Decal - Notice General
21	2	411000330	0	Decal - Notice Grease 50hrs Ashland	13	2	411000261	0	Decal - Warning, Crush Hazard	5	1	411000036	1	Decal - Warning Runaway Tractor
22	2	411000346	0	Decal - Ashland Wordmark	14	1	411000263	0	Decal - Serial Plate (K-Tec Mfg.)	6	4	411000040	2	Decal - Warning High-Pressure Hyd
23	2	411000347	0	Decal - Model 1812E Badge	15	2	411000274	0	Decal - AI Logo Small	7	1	411000041	2	Decal - Caution Lift Point
24	1	411000351	0	Decal - Warning Hydraulics	16	3	411000276	0	Decal - AI Logo Large	8	2	411000046	2	Decal - Notice Grease Daily

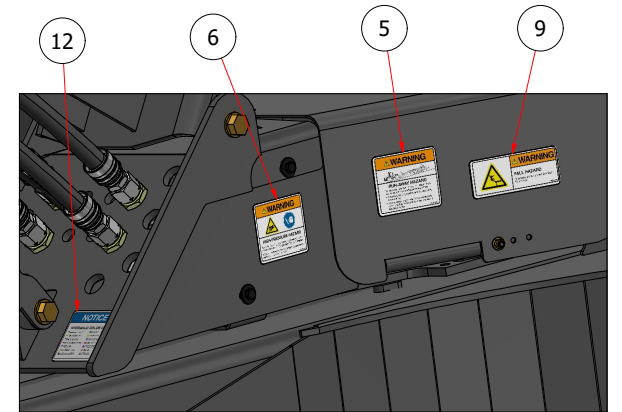
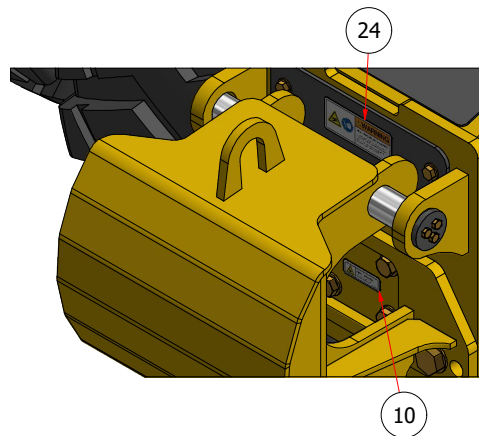
SECTION 5.00

DECALS

2301 1812



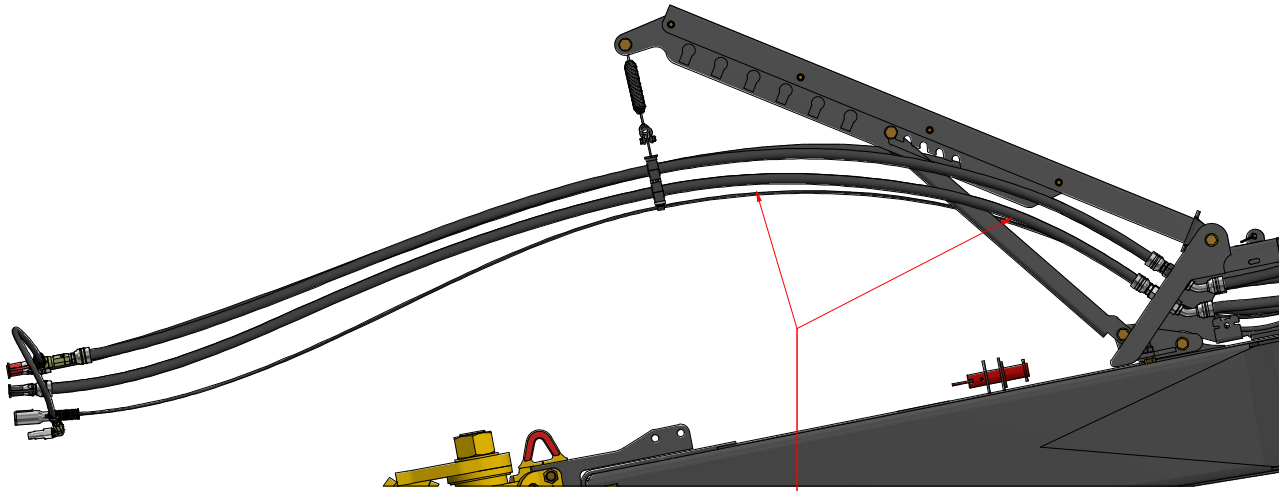
DECALS				
ITEM	QTY	PART NUMBER	REV	DESCRIPTION
1	1	411000002	0	Decal - SMV Sign
2	2	411000003	0	Decal - Reflective Tape, Red
3	8	411000004	0	Decal - Reflective Tape, Yellow
4	2	411000034	1	Decal - Notice General
5	1	411000036	1	Decal - Warning Runaway Tractor
6	4	411000040	2	Decal - Warning High-Pressure Hyd
7	1	411000041	2	Decal - Caution Lift Point
8	2	411000046	2	Decal - Notice Grease Daily
9	2	411000064	2	Decal - Warning Fall Hazard
10	2	411000097	1	Decal - Warning TH Pinch Small
11	3	411000102	1	Decal - Safety Tie Down
12	1	411000207	0	Decal - Notice Color Code
13	2	411000261	0	Decal - Warning, Crush Hazard
14	1	411000263	0	Decal - Serial Plate (K-Tec Mfg.)
15	2	411000274	0	Decal - AI Logo Small
16	3	411000276	0	Decal - AI Logo Large
17	1	411000277	0	Decal - American Built
18	12	411000278	1	Decal - Greaseless Point Round
19	2	411000279	0	Decal - AI Logo Extra Large
20	4	411000281	0	Decal - Lift Point Round
21	2	411000330	0	Decal - Notice Grease 50hrs Ashland
22	2	411000346	0	Decal - Ashland Wordmark
23	2	411000347	0	Decal - Model 1812E Badge
24	1	411000351	0	Decal - Warning Hydraulics



SECTION 6.00

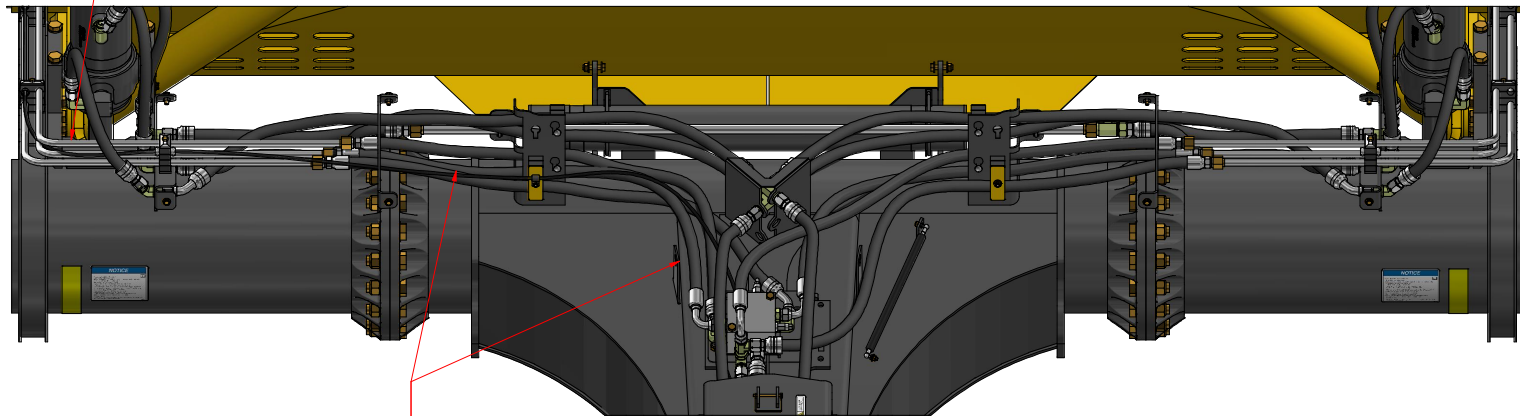
SPIRAL WRAP

2301 1812, HITCHPOLE



SIZE: SMALL
SPIRAL: 6
NOTE: WRAP ELECTRICAL HARNESS TO STEEL LINE.

SIZE: MEDIUM
SPIRAL: 6
NOTE: WRAP ELECTRICAL HARNESS TO THE HOSE CLOSEST TO THE P CLIP.

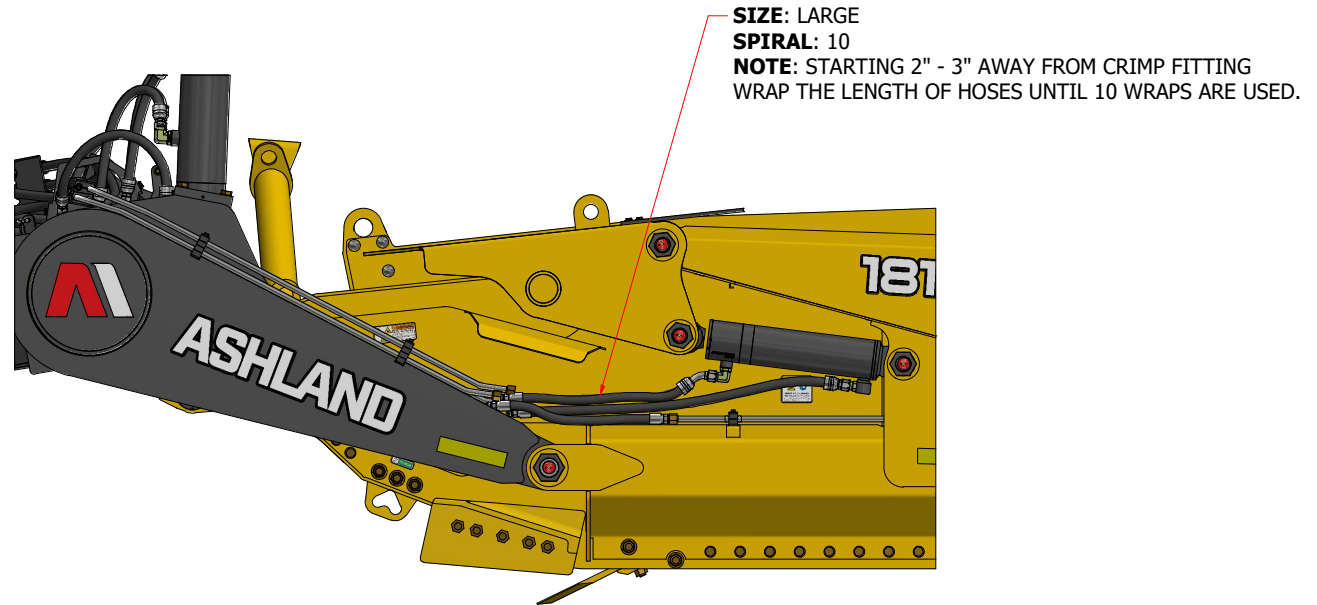


SIZE: MEDIUM
SPIRAL: 6
NOTE: WRAP ELECTRICAL & EJECTOR HOSE.

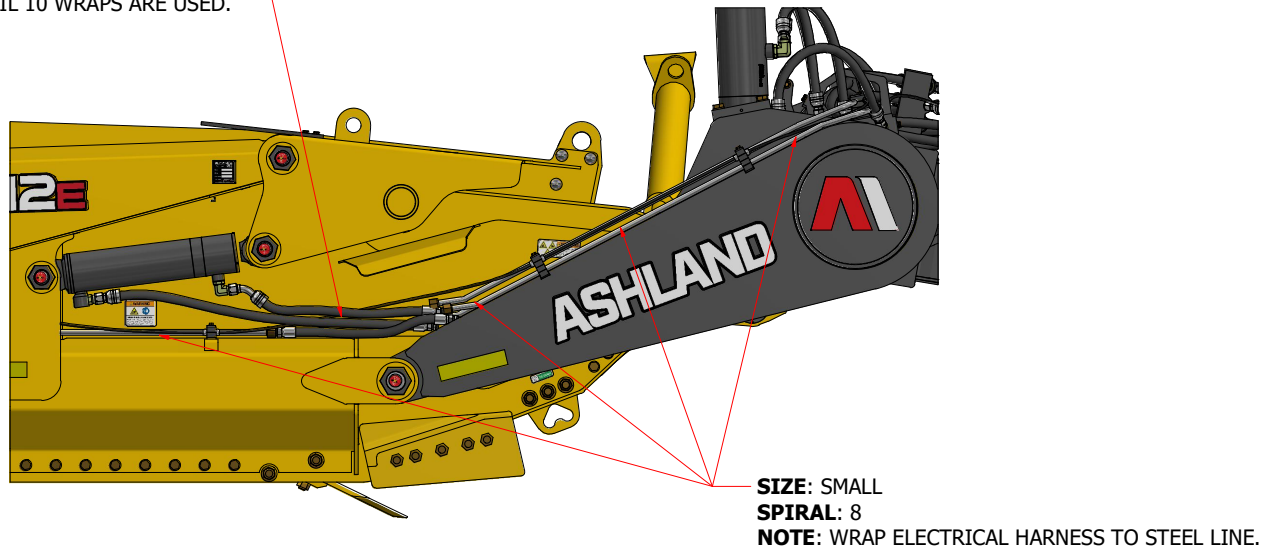
SECTION 6.00

SPIRAL WRAP

2301 1812, SIDEWALLS



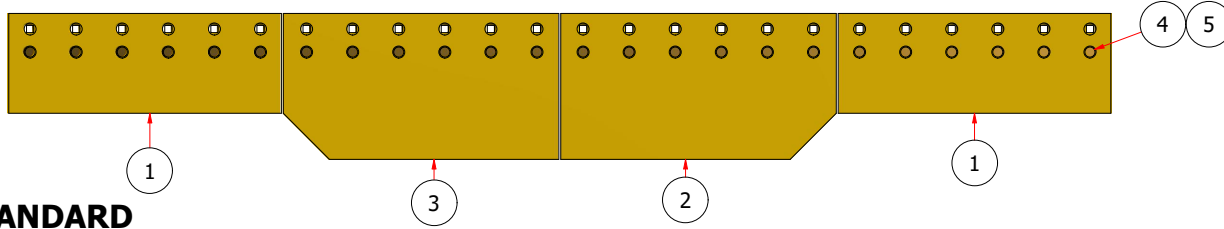
SIZE: LARGE
SPIRAL: 10
NOTE: STARTING 2" - 3" AWAY FROM CRIMP FITTING
WRAP THE LENGTH OF HOSES UNTIL 10 WRAPS ARE USED.



SECTION 7.00

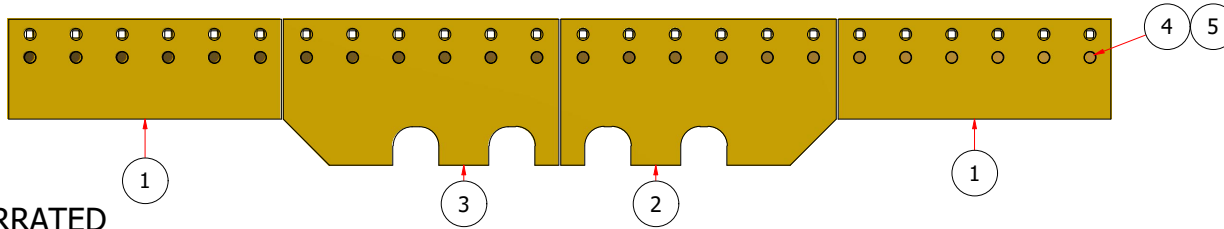
CUTTING EDGES

2301 1812



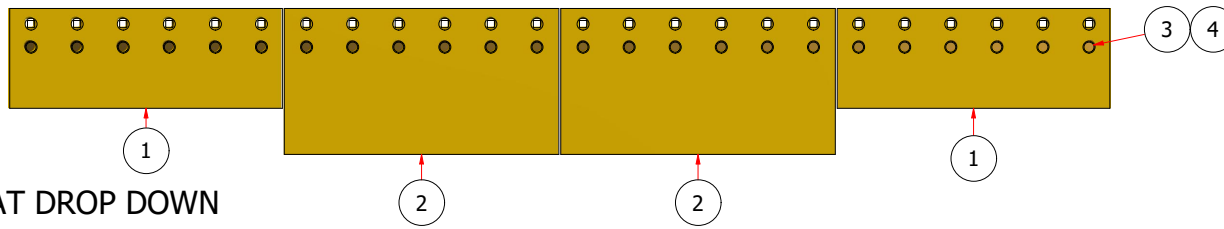
STANDARD

ITEM	QTY	PART NUMBER	REV	DESCRIPTION
1	2	413000115	2	Side Bit 35.5" (72" Center Bit)
2	1	413000140	0	Center Edge Left 36" Standard, 3/4 inch
3	1	413000141	0	Center Edge Right 36" Standard, 3/4 inch
4	24	BLT8C_7-8x2_3-4_PLW	0	Bolt Gr. 8 UNC 7/8" x 2-3/4" Plow
5	24	NUT8C_7-8	0	Nut Gr. 8 UNC 7/8"



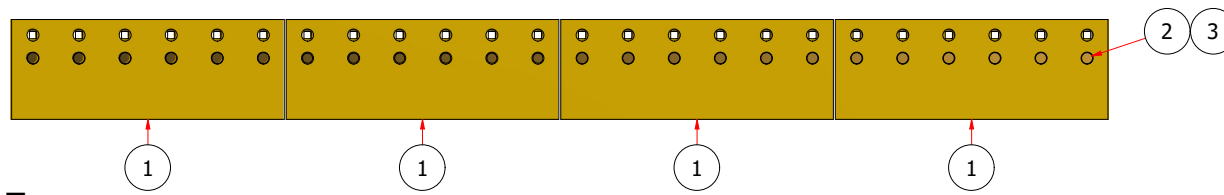
SERRATED

ITEM	QTY	PART NUMBER	REV	DESCRIPTION
1	2	413000115	2	Side Bit 35.5" (72" Center Bit)
2	1	413000142	0	Center Edge Left 36" (Bevel Down Serrated)
3	1	413000143	0	Center Edge Right 36" (Bevel Down Serrated)
4	24	BLT8C_7-8x2_3-4_PLW	0	Bolt Gr. 8 UNC 7/8" x 2-3/4" Plow
5	24	NUT8C_7-8	0	Nut Gr. 8 UNC 7/8"



FLAT DROP DOWN

ITEM	QTY	PART NUMBER	REV	DESCRIPTION
1	2	413000115	2	Side Bit 35.5" (72" Center Bit)
2	2	413000144	0	Center Bit 36" Standard Flat
3	24	BLT8C_7-8x2_3-4_PLW	0	Bolt Gr. 8 UNC 7/8" x 2-3/4" Plow
4	24	NUT8C_7-8	0	Nut Gr. 8 UNC 7/8"



FLAT

ITEM	QTY	PART NUMBER	REV	DESCRIPTION
1	4	413000115	2	Side Bit 35.5" (72" Center Bit)
2	24	BLT8C_7-8x2_3-4_PLW	0	Bolt Gr. 8 UNC 7/8" x 2-3/4" Plow
3	24	NUT8C_7-8	0	Nut Gr. 8 UNC 7/8"

SIDE ROUTER BITS

