



CONSUMABLES & SPARE PARTS

ASHLAND 2411-3413E GEN2 SCRAPER

YEAR MODEL: 2401

VERSION: 1.00

TABLE OF CONTENTS

- | | | | |
|--------------------------------------|------------------------------------|-----------------------------|-------------------------------------|
| 1
Structural
Components | 2
Hydraulic
Cylinders | 3
Decal
Layout | 4
Cutting Edge
Options |
|--------------------------------------|------------------------------------|-----------------------------|-------------------------------------|

2411E
2811E
3013E
3413E

SECTION 1.00

BOLT TORQUE SPECIFICATIONS

Recommended Torque Specifications Unless Otherwise Specified.

STANDARD/PLOW/CARRIAGE BOLTS

BOLT SIZE	THREAD PER INCH	GRADE 2				GRADE 5				GRADE 8			
		DRY		LUBRICATED		DRY		LUBRICATED		DRY		LUBRICATED	
		ft/lbs	Nm	ft/lbs	Nm	ft/lbs	Nm	ft/lbs	Nm	ft/lbs	Nm	ft/lbs	Nm
1/4	20	5.5	7.4	4.1	5.6	9.5	12.9	7.2	9.7	12	16.2	9	12.1
1/4	28	6.3	8.5	4.7	6.4	10.9	14.8	8.2	11.1	14	18.5	10	13.9
5/16	18	11	15.3	8	11.5	20	26.6	15	20.0	25	33.3	18	25.0
5/16	24	13	17.0	9	12.7	22	29.5	16	22.1	27	36.9	20	27.6
3/8	16	20	27.2	15	20.4	35	47.3	26	35.5	44	59.1	33	44.3
3/8	24	23	30.8	17	23.1	40	53.6	30	40.2	49	67.0	37	50.2
7/16	14	32	43.5	24	32.6	56	75.7	42	56.7	70	94.6	52	70.9
7/16	20	36	48.6	27	36.4	62	84.5	47	63.4	78	105.6	58	79.2
1/2	13	49	66.4	37	49.8	85	115.4	64	86.6	106	144.3	80	108.2
1/2	20	55	74.8	41	56.1	96	130.1	72	97.6	120	162.6	90	121.9
5/8	11	97	132.1	73	99.1	170	229.8	127	172.4	212	287.3	159	215.4
5/8	18	110	149.7	83	112.3	192	260.3	144	195.2	240	325.4	180	244.0
3/4	10	173	234.3	130	175.8	301	407.6	225	305.7	376	509.4	282	382.1
3/4	16	193	261.7	145	196.3	336	455.1	252	341.4	420	568.9	315	426.7
7/8	9	243	328.9	182	246.6	485	657.7	364	493.3	606	822.1	455	616.6
7/8	14	267	362.3	200	271.7	534	724.6	401	543.5	668	905.8	501	679.3
1	8	364	493.0	273	369.7	636	862.7	477	647.0	909	1232.4	682	924.3
1	12	398	539.3	298	404.5	696	943.9	522	707.9	995	1348.4	746	1011.3
1 1/4	7	727	985.3	545	739.0	1272	1724.3	954	1293.3	1817	2463.4	1363	1847.5
1 1/4	12	805	1091.1	604	818.3	1408	1909.4	1056	1432.1	2012	2727.7	1509	2045.8
1 1/2	6	1265	1714.4	948	1285.8	2213	3000.3	1660	2250.2	3161	4286.1	2371	3214.6
1 1/2	12	1423	1929.2	1067	1446.9	2490	3376.1	1868	2532.1	3557	4823.0	2668	3617.2
2	4.5	3000	4067.5	2250	3050.6	5250	7118.0	3938	5338.5	7500	10168.6	5625	7626.5
2	8	3324	4506.7	2493	3380.1	3878	5257.9	2909	3943.4	8310	11266.8	6233	8450.1

SOCKET HEAD BOLTS

BOLT SIZE	THREAD PER INCH	GRADE 8			
		DRY		LUBRICATED	
		ft/lbs	Nm	ft/lbs	Nm
1/4	20	14	19.0	10	13.6
1/4	28	16	21.7	12	16.3
5/16	18	29	39.3	22	29.8
5/16	24	32	43.4	24	32.5
3/8	16	51	69.1	28	38.0
3/8	24	58	78.6	43	58.3
7/16	14	81	109.8	61	82.7
7/16	20	91	123.4	68	92.2
1/2	13	124	168.1	93	126.1
1/2	20	140	189.8	105	142.4
5/8	11	238	322.7	179	242.7
5/8	18	270	366.1	202	273.9
3/4	10	423	573.5	317	429.8
3/4	16	472	639.9	354	480.0

LAG BOLTS

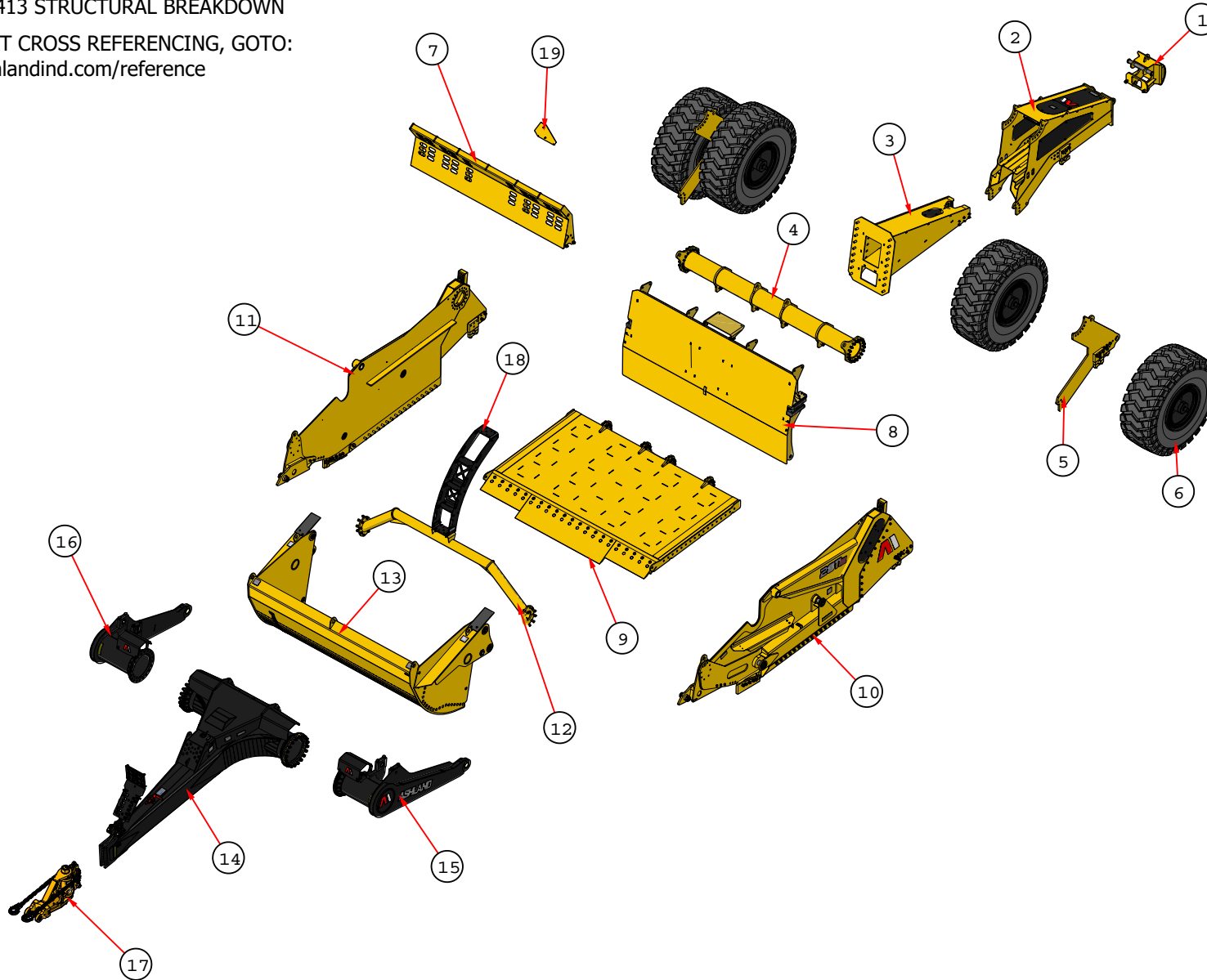
BOLT SIZE	THREAD PER INCH	GRADE 2	
		DRY	
		ft/lbs	Nm
5/8	5	50	67.8

SECTION 1.00

STRUCTURAL

2411 - 3413 STRUCTURAL BREAKDOWN

FOR PART CROSS REFERENCING, GOTO:
www.ashlandind.com/reference



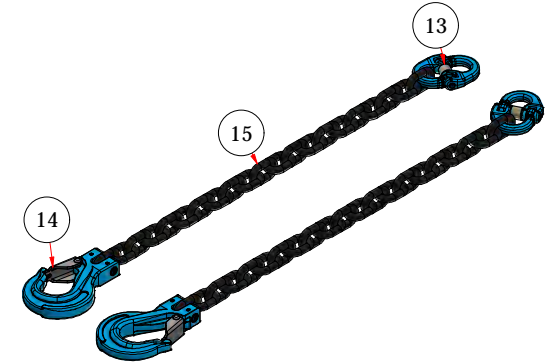
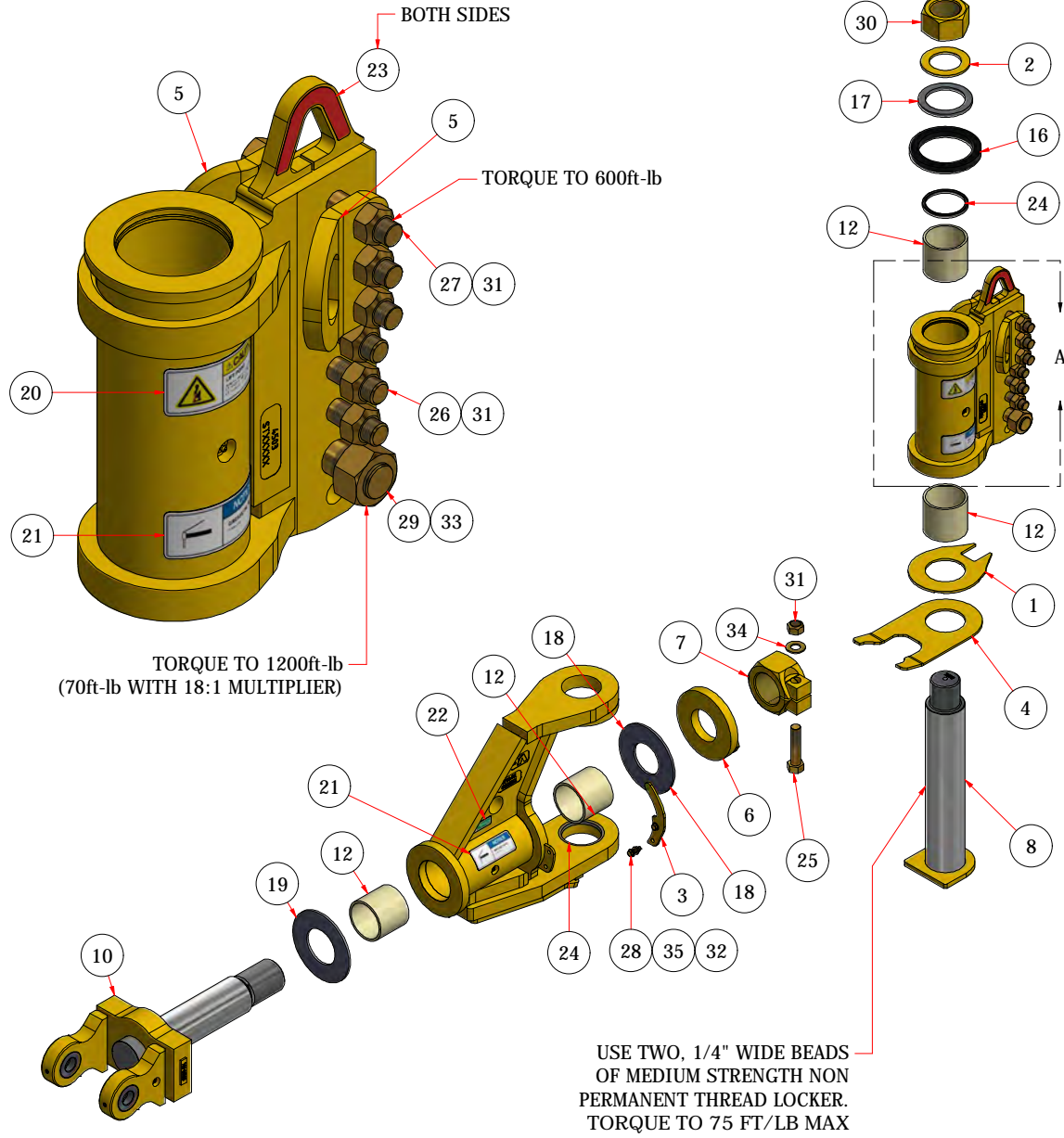
ITEM	QTY	DESCRIPTION
1	1	BUMPER
2	1	TAIL
3	1	EJECTOR TAIL / HOOD
4	2	REAR PIPE
5	4	WHEEL TRUSSES
6	1	TIRE AND RIM
7	1	HEADACHE RACK
8	1	EJECTOR FACE
9	1	FLOOR
Z	1	LEFT SIDE WALL
11	1	RIGHT SIDE WALL
12	1	LASER MOUNT
13	1	GATE / APRON
14	1	POLE
15	1	LEFT TRAILING ARM
16	1	RIGHT TRAILING ARM
17	1	KNUCKLE / HITCH
18	1	LASER MAST
19	1	SMV SIGN

SHOWING OVERALL SCRAPER COMPONENTS.
 BE SURE TO REFERENCE YOUR MODEL SPECIFIC ASSEMBLY

SECTION 1.01

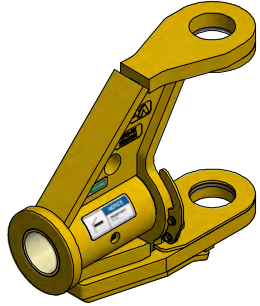
STRUCTURAL

2301 3411-3413 KNUCKLE/HITCH
(311100035-R1 Kit)



ASHLAND KNUCKLE COMPONENTS				
ITEM	QTY	PART NUMBER	REV	DESCRIPTION
1	1	101000106_cm_K	1	Grease_Thrust_Washer_Vertical .pin
2	1	101001956_c_K-CY	0	Washer_knuckle_vert.pin
3	2	101009913_c_K-CY	0	Knuckle, Chain Keeper
4	1	101009914_cb_K-CY	0	Knuckle, Thrust Washer
5	2	101010052_cvb_H-CY	2	Knuckle_Safety Chain Ear
6	1	301000053_w_K-CY	0	Washer 3 1/2" Squeeze Nut
7	1	301000054_wms_K-CY	1	Thrust Nut (Knuckle)
8	1	301002676_w_K-CY	0	Pin Vertical_4" (PG shaft induction hardend)
67	1	301002711_wm_K-CY	7	Knuckle, Sub-weldment
10	1	301003258_w_K-CY	3	Yoke, Ashland UNC
11	1	301004503_wm-CY	1	Vertical Bushing Weldment
12	4	404000009	0	Comp Bushing 4.00" ID x 4.50" OD x 4.00"
13	2	405500014	0	5/8" Grade 100 Coupling Link
14	2	405500015	0	5/8" Grade 100 Clevis Sling Hook
15	2	405500032	0	Chain Grade 100 5/8" 21 Links
16	1	409000021	0	Seal .75"-7.25" OD-5.50" ID
17	1	409000022	0	Seal .375"- 5.50" OD- 4.06" ID
18	1	409000034	0	Thrust Washer .25"- 7.75" OD - 3.50" ID
19	1	409000100	1	Thrust Washer 0.250" x 8.00" OD x 4.063" ID
20	1	411000041	2	Decal - Caution Lift Point
21	2	411000046	2	Decal - Notice Grease Daily
22	1	411000102	1	Decal - Safety Tie Down
23	2	411000206	0	Decal - Lift Hook Highlight, Knuckle
24	2	422000003	0	Seal 4" Pin
25	1	BLT8C_1x4_1-2	0	Bolt Gr. 8 UNC 1" x 4-1/2"
26	3	BLT8C_1x5_1-2	0	Bolt Gr. 8 UNC 1" x 5-1/2"
27	3	BLT8C_1x7	0	Bolt Gr. 8 UNC 1" x 7"
28	4	BLT8C_3-8x1_1-4	0	Bolt Gr. 8 UNC 3/8" x 1-1/4"
29	1	BLT8F_1_1-2x5_1-2	0	Bolt Gr. 8 UNF 1-1/2" x 5-1/2"
30	1	NUT2C_3_m_N-CY	0	Nut Gr. 2 UNC 3" Machined and Painted
31	7	NUT8C_1_STL	0	Nut Gr. 8 UNC 1" Stover Lock
32	4	NUT8C_3-8_STL	0	Nut Gr. 8 UNC 3/8" Stover Lock
33	1	NUT8F_1_1-2	0	Nut Gr. 8 UNF 1-1/2"
34	1	WSH8_1_STR	0	Washer Gr. 8 - 1" Structural
35	8	WSH8_3-8_STR	0	Washer Gr. 8 - 3/8" Structural

SECTION 1.01 KITS

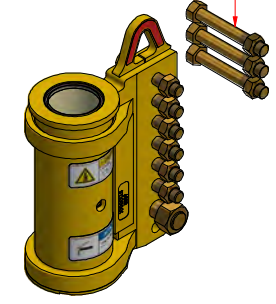


301100100-R3 Kit	
QTY	DESCRIPTION
4	Bolt Gr. 8 UNC 3/8" x 1-1/4"
2	Comp Bushing 4.00" ID x 4.50" OD x 4.00"
1	Decal - Notice Grease Daily
1	Decal - Safety Tie Down
1	Knuckle Frame
2	Knuckle, Chain Keeper
1	Knuckle, Thrust Washer
4	Nut Gr. 8 UNC 3/8" Stover Lock
1	Seal .375"- 5.50" OD- 4.06" ID
1	Seal .75"-7.25" OD-5.50" ID
1	Seal 4" Pin
8	Washer Gr. 8 - 3/8" Structural

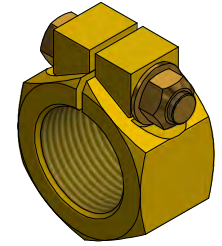


301100103 Kit	
QTY	DESCRIPTION
1	Nut Gr. 2 UNC 3" Machined and Painted
1	Pin Vertical_4" (PG shaft induction hardend)
1	Washer_knuckle_vert_pin

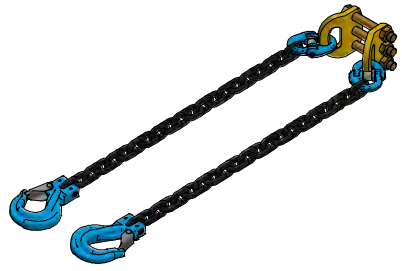
IF YOU HAVE SAFETY CHAINS,
USE LONGER INCLUDED BOLTS.



301100104-R4 Kit	
QTY	DESCRIPTION
6	Bolt Gr. 8 UNC 1" x 5-1/2"
3	Bolt Gr. 8 UNC 1" x 7"
1	Bolt Gr. 8 UNF 1-1/2" x 5-1/2"
2	Comp Bushing 4.00" ID x 4.50" OD x 4.00"
1	Decal - Caution Lift Point
2	Decal - Lift Hook Highlight, Knuckle
1	Decal - Notice Grease Daily
1	Grease_Thrust_Washer_Vertical .pin
9	Nut Gr. 8 UNC 1" Stover Lock
1	Nut Gr. 8 UNF 1-1/2"
1	Seal 4" Pin
1	Vertical Bushing Weldment



301100248 Kit	
QTY	DESCRIPTION
1	Bolt Gr. 8 UNC 1" x 4-1/2"
1	Nut Gr. 8 UNC 1" Stover Lock
1	Thrust Nut (Knuckle)
1	Washer Gr. 8 - 1" Structural



21 LINK SAFETY CHAINS

301100268-R1 Kit	
QTY	DESCRIPTION
2	5/8" Grade 100 Clevis Sling Hook
2	5/8" Grade 100 Coupling Link
3	Bolt Gr. 8 UNC 1" x 7"
2	Chain Grade 100 5/8" 21 Links
2	Knuckle_Safety Chain Ear
3	Nut Gr. 8 UNC 1" Stover Lock

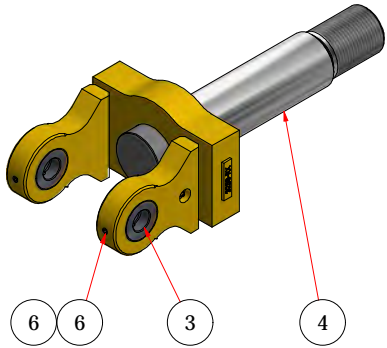


24 LINK SAFETY CHAINS

301100260-R2 Kit	
QTY	DESCRIPTION
2	5/8" Grade 100 Clevis Sling Hook
2	5/8" Grade 100 Coupling Link
3	Bolt Gr. 8 UNC 1" x 7"
2	Chain Grade 100 5/8" 24 Links
2	Knuckle_Safety Chain Ear
3	Nut Gr. 8 UNC 1" Stover Lock

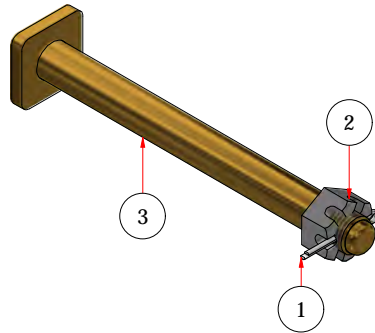
SECTION 1.01 KITS

ASHLAND YOKE

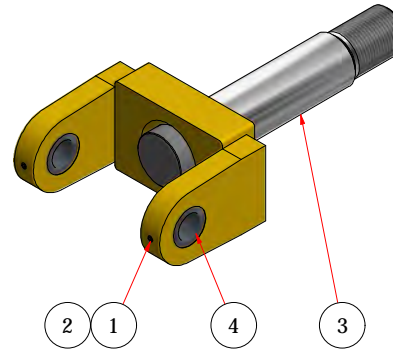


Pin Not Included, Sold Separately

STANDARD 1.5" PIN

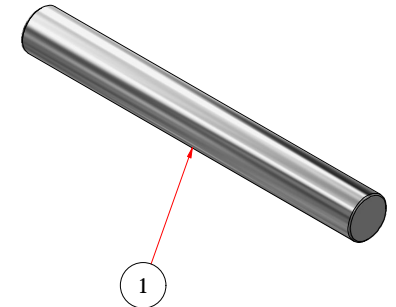


K-TEC



Pin Not Included, Sold Separately

Pin for K-Tec Yoke
(ONLY USED WITH K-TEC DRAWBARS)



301003258-R2

ITEM	QTY	PART NUMBER	REV	DESCRIPTION
4	1	201004500_sm_K	3	Shaft for AI Spaced K-Tec Yoke
3	2	211000217_smh_K	0	Yoke, Bushing 1.5" ID 3" OD
6	4	405000121	0	SSS CN 1/2-13 UNC x 5/8"

311100010 Kit

ITEM	QTY	PART NUMBER	REV	DESCRIPTION
1	1	405000002	0	Cotter Pin 1/4" x 3"
2	1	NUT5C_1_1-2 CSTL	0	Nut Gr. 5 UNF 1-1/2" Castle
3	1	311000171_w_PIN	0	PIN ASSY, HITCH 4-EAR

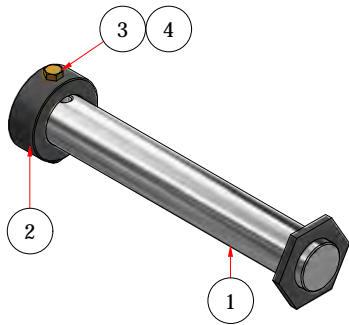
301004500-R2

ITEM	QTY	PART NUMBER	REV	DESCRIPTION
1	2	405000121	0	SSS CN 1/2-13 UNC x 5/8"
2	2	405000122	0	SetScrew 1/2-13 UNC x 3/4" L
3	1	201004500_sm_K	3	Shaft_knuckle longitudinal
4	2	201004041_smh_K	0	Yoke, K-Tec Bushing

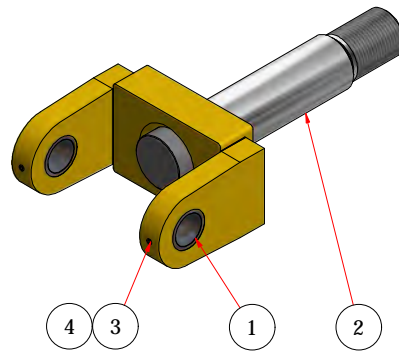
205001668

ITEM	QTY	PART NUMBER	REV	DESCRIPTION
1	1	205001668_s	1	Pin K-Tec Yoke 2" x 17.25"

HITCH PIN, JD 60MM

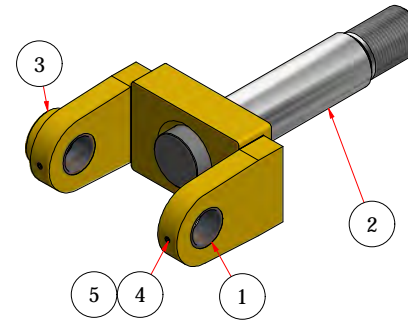


JD 60mm



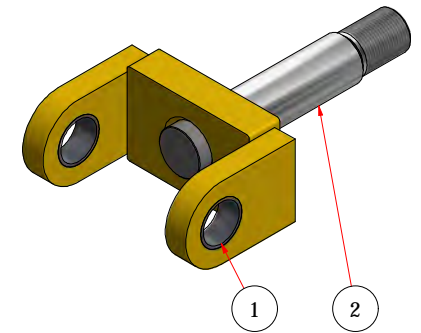
Pin Not Included, Supplied By Customer

JD 65mm



Pin Not Included, Supplied By Customer

E-Ject



Pin Not Included, Supplied By Customer

311100022 Kit

ITEM	QTY	PART NUMBER	REV	DESCRIPTION
1	1	311000465_w_PIN	0	WELDMENT, HITCH PIN
2	1	211000072_sm-CG	0	KEEPER, PIN
3	1	BLT8C_1-2x4_1-2	0	Bolt Gr. 8 UNC 1/2" x 4-1/2"
4	1	NUT8C_1-2_STL	0	Nut Gr. 8 UNC 1/2" Stover Lock

301003261-R1

ITEM	QTY	PART NUMBER	REV	DESCRIPTION
1	2	201001950_smh3K	2	Yoke, JD 60mm Bushings
2	1	201004500_sm_K	3	Shaft_knuckle longitudinal
3	2	405000121	0	SSS CN 1/2-13 UNC x 5/8"
4	2	405000122	0	SetScrew 1/2-13 UNC x 3/4" L

301100249-R1 Kit (301003260 Yoke)

ITEM	QTY	PART NUMBER	REV	DESCRIPTION
1	2	201001939_smh3K	2	Yoke, JD 65mm Bushings
2	1	201004500_sm_K	3	Shaft_knuckle longitudinal
3	1	205050002_sm-CY	1	J.D 65mm pin spacer
4	2	405000121	0	SSS CN 1/2-13 UNC x 5/8"
5	2	405000122	0	SetScrew 1/2-13 UNC x 3/4" L

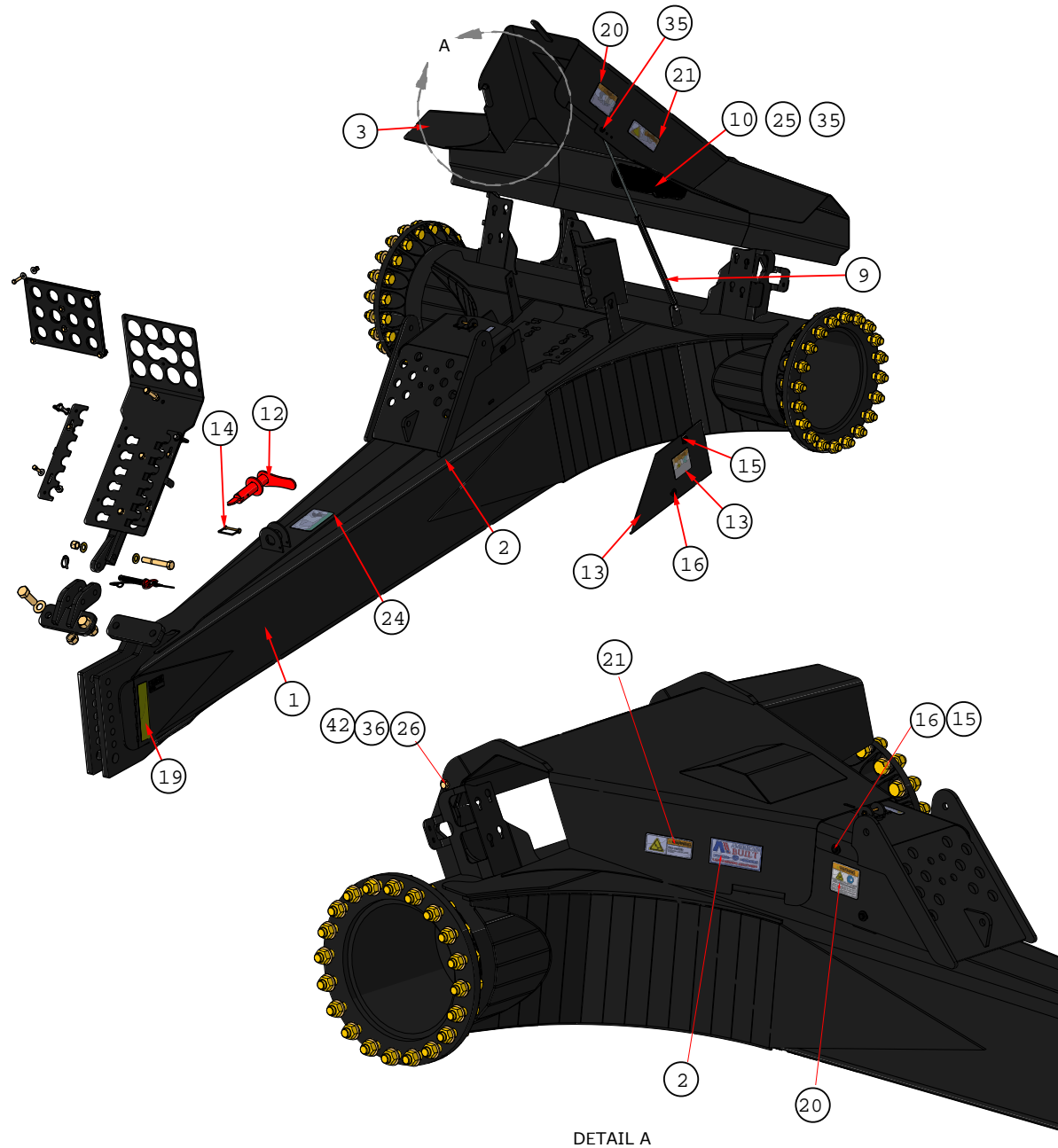
301003259

ITEM	QTY	PART NUMBER	REV	DESCRIPTION
1	2	201002114_smh_K	1	HT Wear Bushing Eject Yoke
2	1	201004500_sm_K	3	Shaft_knuckle longitudinal

SECTION 1.02

STRUCTURAL

2411-3413 HITCHPOLE
(311001160_C_H)



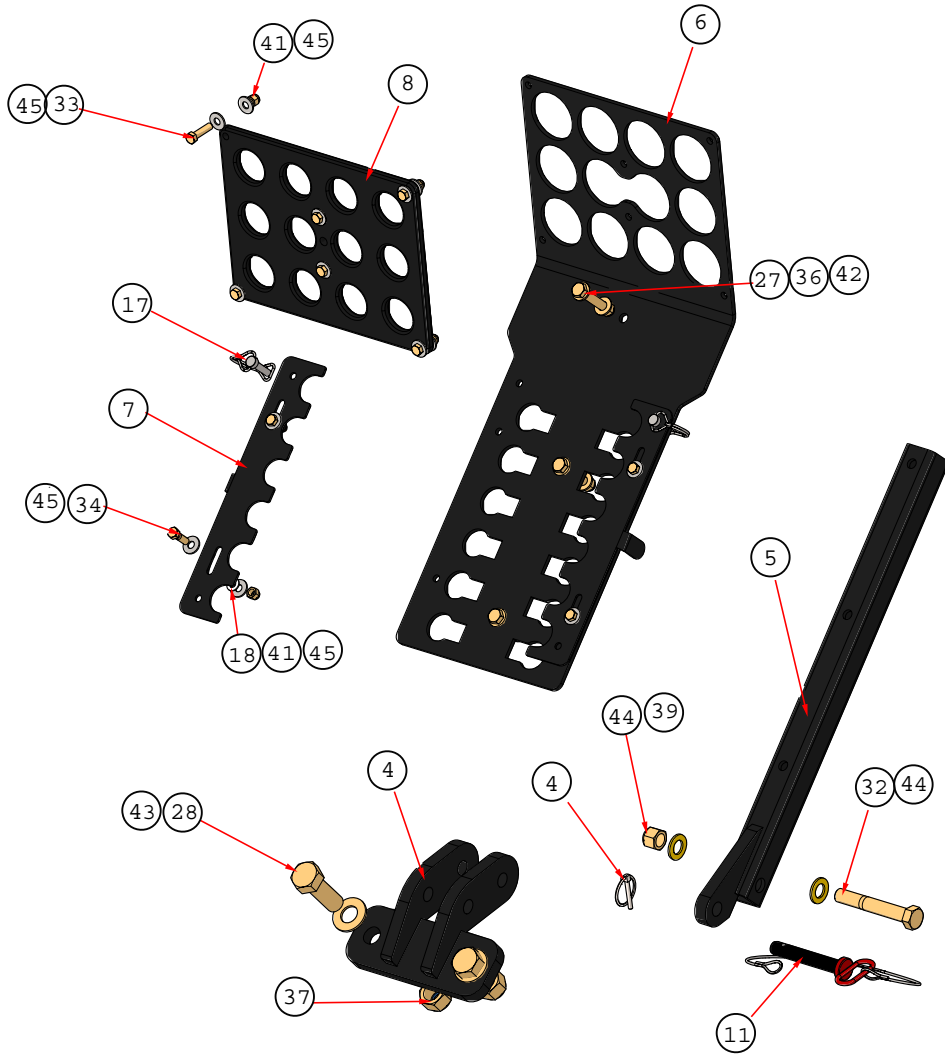
DETAIL A

ITEM	QTY	K-TEC P.N.	ASHLAND P.N.	DESCRIPTION
1	1	301004126_w_H-CG		POLE
2	1	301004120_w_H-CG		COVER ASM HYD. FOR COMMON POLE
3	1	301004122_w_H-CG		HITCHPOLE - HYD. VALVE COVER
4	1	311001153_w_H-CG		HOSE HOLDER ADAPTOR
5	1	311001089_w_H-CG		HOSE HOLDER
6	1	111002269_cb_H-CG		1/2" TIP HOLDER
7	2	111002272_cb_H-CG		HOSE TOP LOCK
8	1	499000501		HOSE REST
9	1	405220003		150LB GAS SPRING
10	1	411000029		MANUAL HOLDER
11	1	405000190 KIT		3/4" X 4" HITCH PIN
12	1	311000220_a_PIN	600121	APRON LOCK PIN
13	2	101010072_c_H-CG		HYD. SIDE COVER
14	2	405000012		SQR SNAPPER PIN, 1/4 (2.5 USEABLE)
15	4	405000041		EXTRUDED U NUT, 3/8"-16
16	4	405000101		3/8-16 X 1-1/2 HEX HEAD BODY BOLT
17	2	405000185		3/8 X 1-1/8" LYNCH PIN, ROUND
18	4	405000192		WASHER - 3/8" X 3/4" NYLON
19	2	411000004		DECAL - REFLECTIVE TAPE, YELLOW
20	3	411000413		DECAL - RUNAWAY MACHINE
21	2	411000064-R2		DECAL WARNING - FALL HAZARD
22	1	411000097-R1		DECAL PINCH HAZARD
23	1	411000277	ADS-00069	DECAL AMERICAN BUILT
24	1	411000355	ADS-00047	DECAL SAFETY LOCK INSTRUCTIONS
25	3	BLT5C_5-16x3-4_CRG		BLT5C_5-16x3-4_CRG
26	2	BLT8C_1-2x2_1-4		BOLT GR. 8 UNC 1/2" X 2-1/4"
27	3	BLT8C_1-2x3_1-4	AFB-00101	HHCS: 1/2" X 3-1/4" GR 8
28	2	BLT8C_1x3	AFB-00018	BOLT GR. 8 UNC 1" x 3"
29	40	BLT8C_1x3_1-2	AFB-00086	BOLT GR. 8 UNC 1" X 3-1/2"
30	2	BLT8C_3-4x2	AFB-00037	BOLT GR. 8 UNC 3/4" X 2
31	1	BLT8C_3-4x3	AFB-00064	BOLT GR. 8 UNC 3/4" X 3"
32	1	BLT8C_3-4x5	AFB-00179	BOLT GR. 8 UNC 3/4" X 5"
33	6	BLT8C_3-8x1_1-2		BOLT: GR. 8 UNC 3/8" X 1-1/2"
34	4	BLT8C_3-8x1_1-4		BLT8C_3-8x1_1-4
35	4	NUT5C_5-16_NYL		NUT GR. 5 UNC 5/16" NYLON LOCK
36	5	NUT8C_1-2_NYL	AFN-00078	NUT GR. 8 UNC 1/2" NYLON LOCK
37	2	NUT8C_1_NYL	AFN-00077	NUT GR. 8 UNC 1" NYLON LOCK
38	40	NUT8C_1_STL	AFN-00037	STOVER NUT: 1" UNC
39	1	NUT8C_3-4_NYL	AFN-00046	NUT: GR 8.3/4" NYLOCK
40	1	NUT8C_3-4_STL	AFN-00062	STOVER NUT: 3/4" UNC
41	10	NUT8C_3-8_NYL	AFN-00044	NUT GR. 8 NYLON LOCK 3/8" UNC
42	10	WSH8_1-2_STR	AFW-00044	WASHER GR. 8 - 1/2" STRUCTURAL
43	76	WSH8_1_STR	AFW-00011	1" STRUCTURAL WASHER
44	3	WSH8_3-4_STR	AFW-00042	WASHER GR. 8 - 3/4" STRUCTURAL
45	20	WSH8_3-8_FLT	AFW-00010	WASHER: GR 5 - 3/8" FLAT
46	1	WSH8_5-16_STR		WSH8_5-16_STRB52AB54:F97

SECTION 1.02

STRUCTURAL

2411-3413 HOSE HOLDER
(311001093_H)

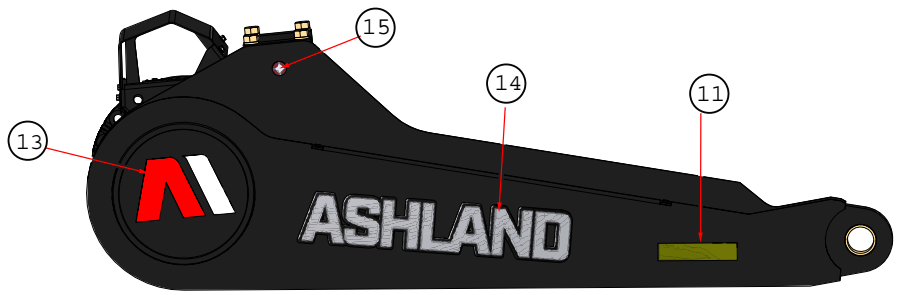
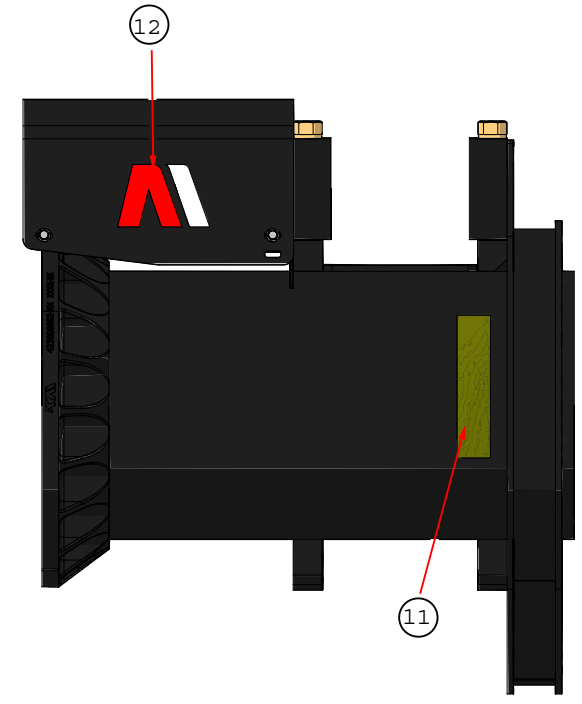
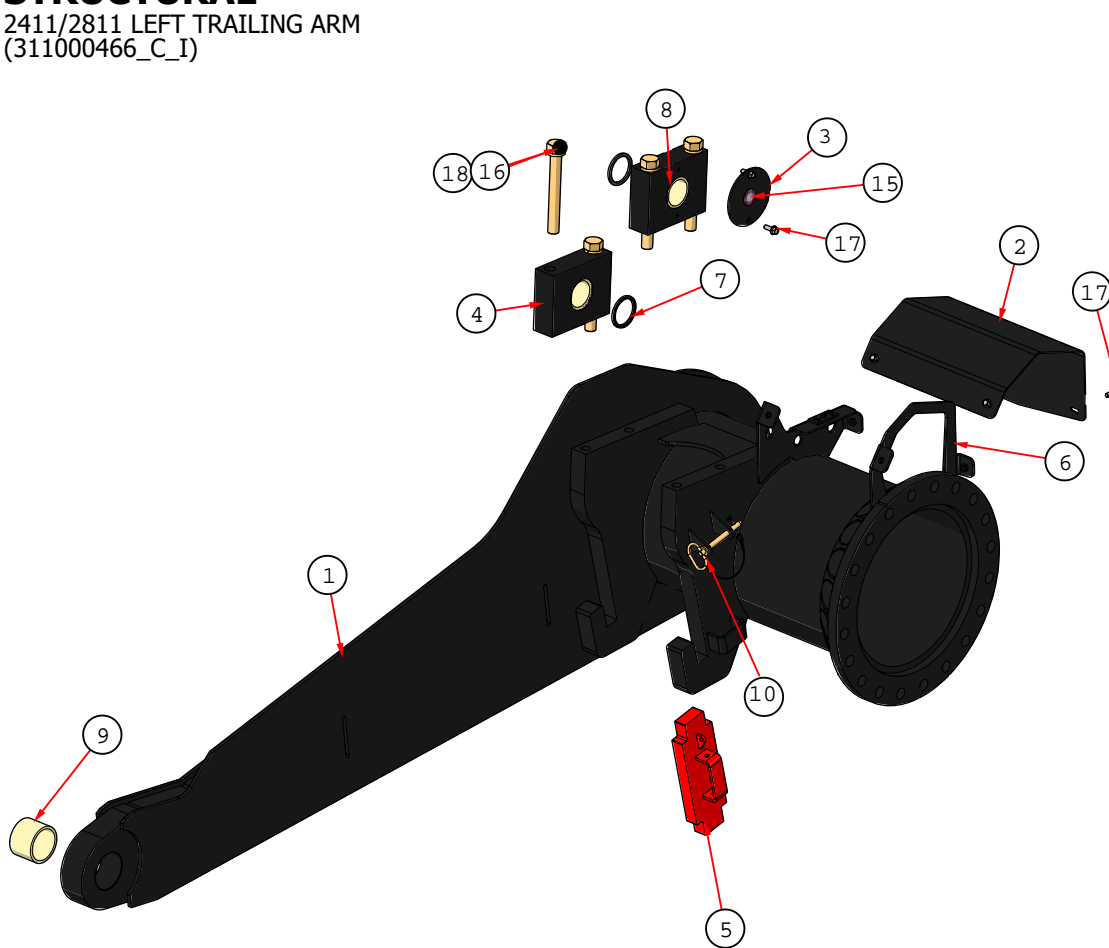


ITEM	Qty	K-TEC P.N.	ASHLAND P.N.	DESCRIPTION
4	1	311001153_w_H-CG		HOSE HOLDER ADAPTOR
5	1	311001089_w_H-CG		HOSE HOLDER
6	1	111002269_cb_H-CG		1/2" TIP HOLDER
7	2	111002272_cb_H-CG		1/2" HOSE TOP LOCK
8	1	499000501		HOSE PASS THROUGH, HOSE HOLDER
11	1	405000190 KIT		3/4" X 4" HITCH PIN
17	2	405000185		3/8 X 1-1/8" LYNCH PIN, ROUND
18	4	405000192		WASHER - 3/8" X 3/4" NYLON
27	3	BLT8C_1-2x3_1-4	AFB-00101	HHCS: 1/2" X 3-1/4" GR 8
28	2	BLT8C_1x3	AFB-00018	BOLT GR. 8 UNC 1" x 3"
32	1	BLT8C_3-4x5	AFB-00179	BOLT GR. 8 UNC 3/4" X 5"
33	6	BLT8C_3-8x1_1-2		BOLT: GR. 8 UNC 3/8" X 1-1/2"
34	4	BLT8C_3-8x1_1-4		BLT8C_3-8x1_1-4
36	3	NUT8C_1-2_NYL	AFN-00078	NUT GR. 8 UNC 1/2" NYLON LOCK
37	2	NUT8C_1_NYL	AFN-00077	NUT GR. 8 UNC 1" NYLON LOCK
39	1	NUT8C_3-4_NYL	AFN-00046	NUT: GR 8.3/4" NYLOCK
41	10	NUT8C_3-8_NYL	AFN-00044	NUT GR. 8 NYLON LOCK 3/8" UNC
42	6	WSH8_1-2_STR	AFW-00044	WASHER GR. 8 - 1/2" STRUCTURAL
43	2	WSH8_1_STR	AFW-00011	1" STRUCTURAL WASHER
44	2	WSH8_3-4_STR	AFW-00042	WASHER GR. 8 - 3/4" STRUCTURAL
45	20	WSH8_3-8_FLT	AFW-00010	WASHER: GR 5 - 3/8" FLAT
47	1	405000024		PIN LYNCH, 1/4" (1.25" USEABLE)

SECTION 1.03

STRUCTURAL

2411/2811 LEFT TRAILING ARM
(311000466_C_I)

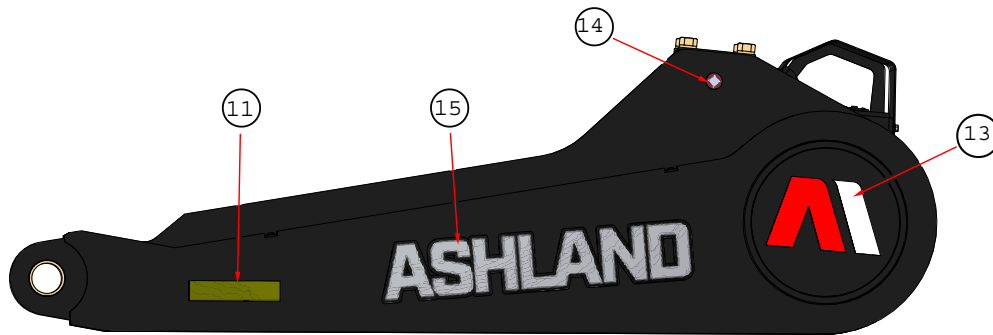
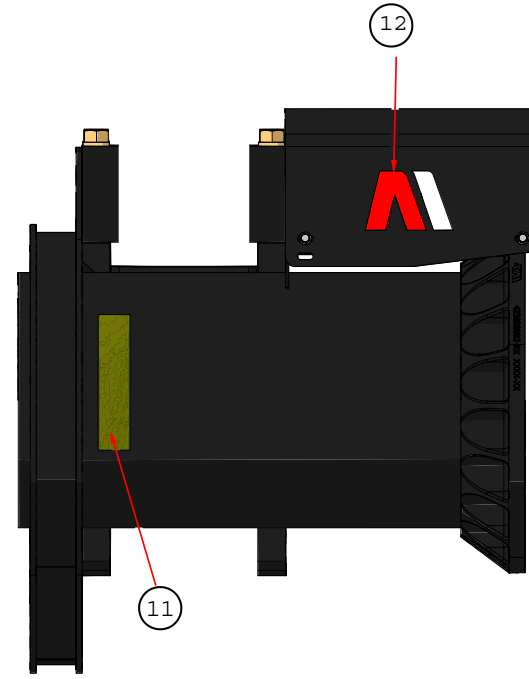
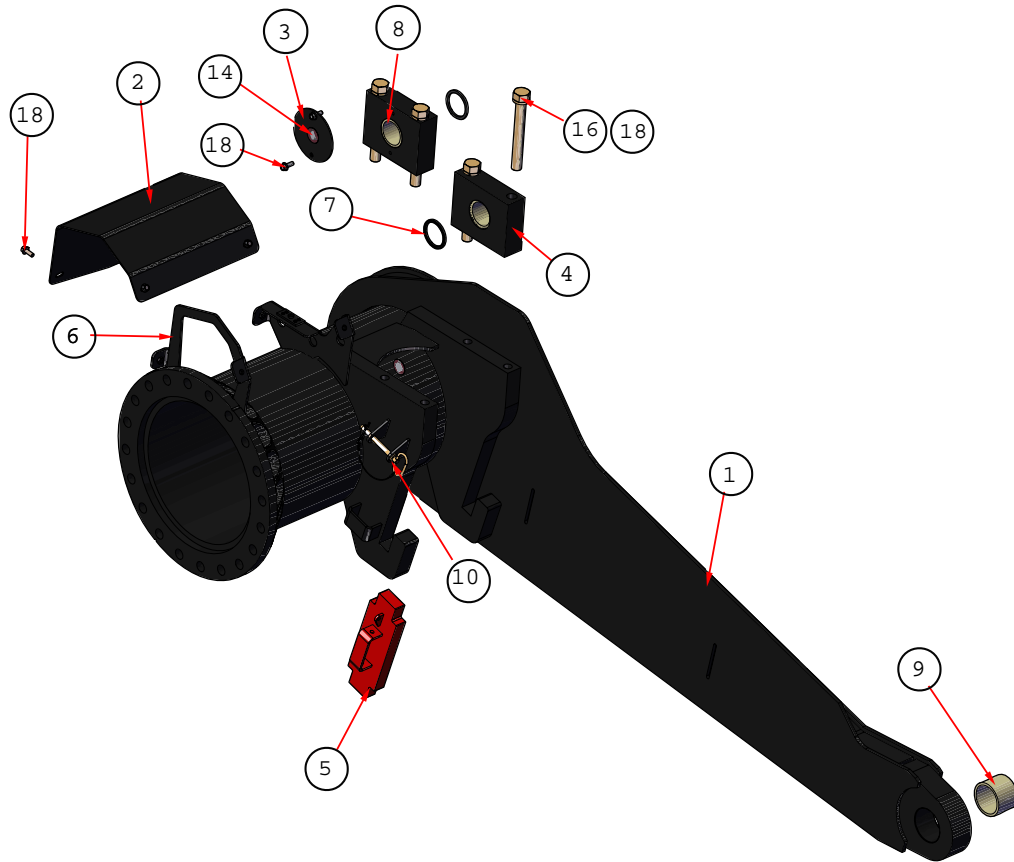


ITEM	QTY	K-TEC P.N.	ASHLAND P.N.	DESCRIPTION
1	1	311000466_w_I		LEFT TRAILING ARM
2	1	111000844_cb_I-CG		LEFT FRONT GUARD
3	1	111000842_c_IJ-CG	504963	TRUNNION BLOCK COVER
4	1	211000151_sm_IJ-CG	504087	TRUNIUN BLOCK
5	1	311000473_w_IJ-SR		TRANSPORT LOCK
6	1	311000352_w_I-CG	601837	LEFT INNER GUARD MOUNT
7	2	402000105	400605	WIPER: 2.50" ID 3.00" OD
8	2	404000130	400604	POLY BUSHING: 2.50' X 30" X 2.06"
9	1	404000131	400603	POLY BUSHING: 3.50" X 3.00" X 2.50"
10	1	405000156		1/2" X 4" HITCH PIN
11	2	411000004		DECAL - REFLECTIVE TAPE, YELLOW
12	1	411000372		DECAL: "AI" LOGO SMALL 3.73X5.5
13	1	411000374		DECAL: "AI" LOGO LARGE 7X11.42
14	1	411000346		DECAL - ASHLAND WORDMARK
15	2	411000278	ADS - 00083	DECAL - GREASELESS POINT ROUND
16	4	BLT8C_1x8	AFB-00050	BOLT GR. 8 UNC 1" X 8"
17	6	BLT8C_3-8x1_FLG	AFB-00128	BOLT GR 5. 3/8" X 1" FLANGE
18	4	WSH8_1_LCK	AFW-00006	WASHER GR. 8 - 1" LOCK

SECTION 1.03

STRUCTURAL

2411/2811 RIGHT TRAILING ARM
(311000467_C_J)

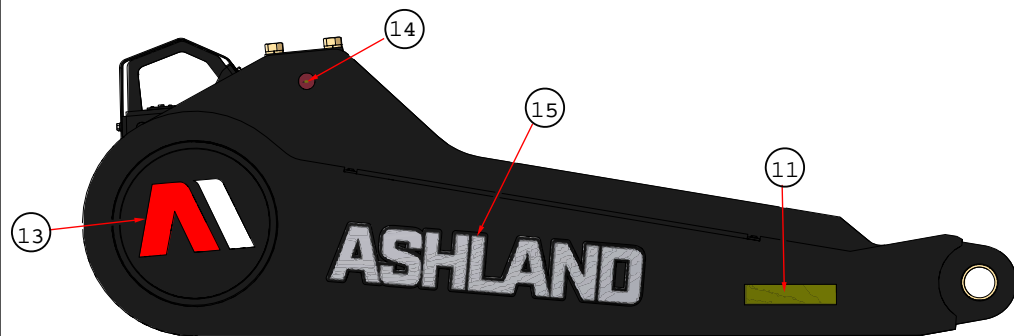
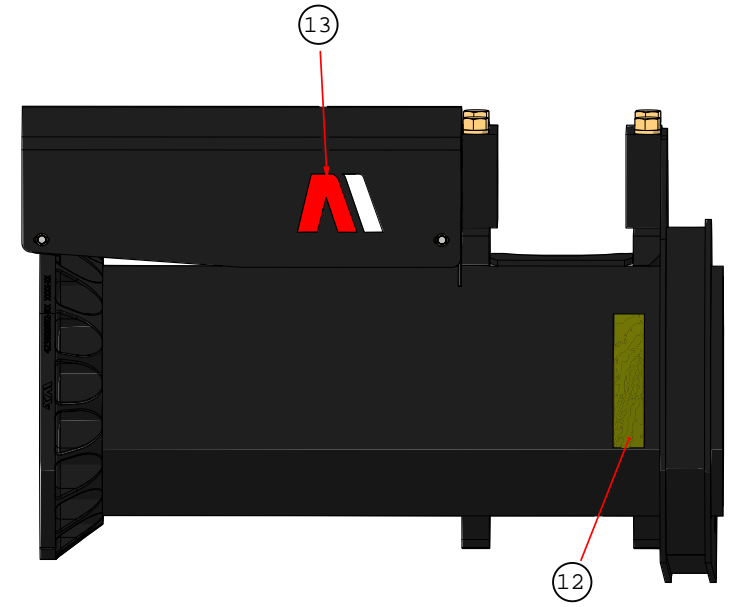
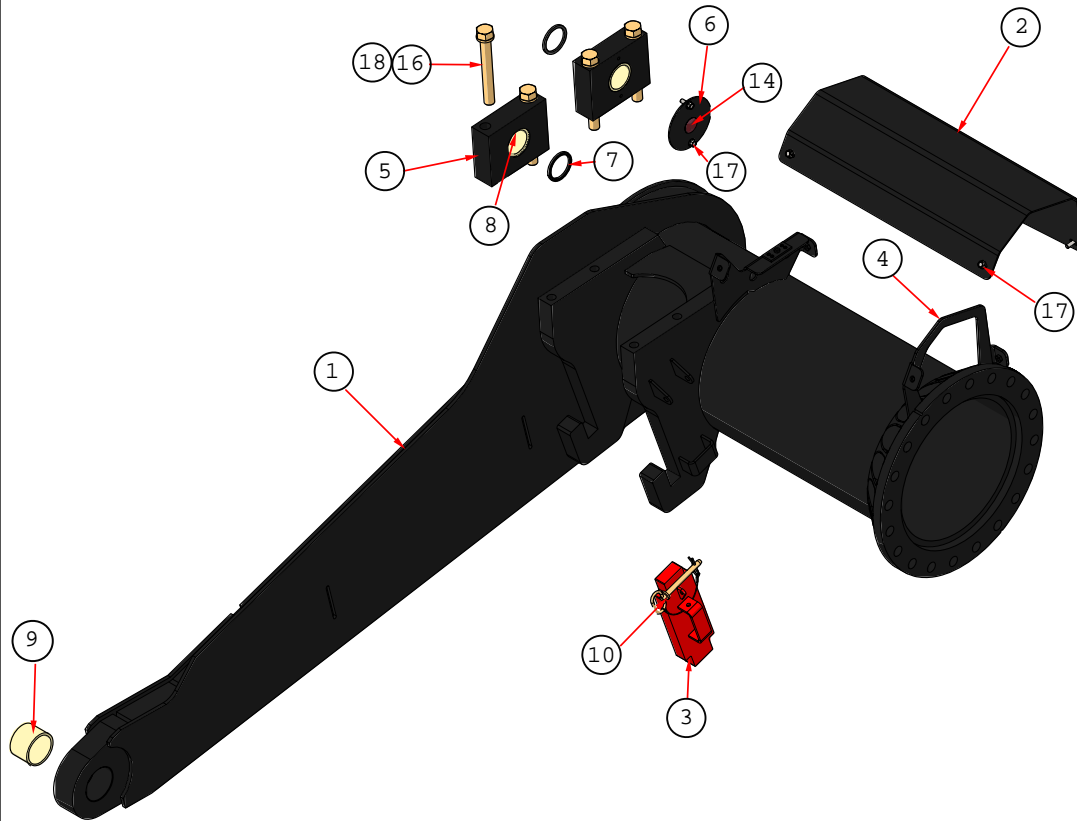


ITEM	QTY	K-TEC P.N.	ASHLAND P.N.	DESCRIPTION
1	1	311000467_w_J		RIGHT TRAILING ARM
2	1	111000845_cb_J-CG		RIGHT FRONT GUARD
3	1	111000842_c_IJ-CG	504963	TRUNNION BLOCK COVER
4	2	211000151_sm_IJ-CG	504087	TRUNIUN BLOCK
5	1	311000473_w_IJ-SR		TRANSPORT LOCK
6	1	311000353_w_J-CG		RIGHT INNER GUARD MOUNT
7	2	402000105	400605	WIPER: 2.50" ID 3.00" OD
8	2	404000130	400604	POLY BUSHING: 2.50" X 30" X 2.06"
9	1	404000131	400603	POLY BUSHING: 3.50" X 3.00" X 2.50"
10	1	405000156		1/2" X 4" HITCH PIN
11	2	411000004		DECAL - REFLECTIVE TAPE, YELLOW
12	1	411000372		DECAL: "AI" LOGO SMALL 3.73X5.5
13	1	411000374		DECAL: "AI" LOGO LARGE 7X11.42
14	2	411000278	ADS - 00083	DECAL - GREASELESS POINT ROUND
15	1	411000346		DECAL - ASHLAND WORDMARK
16	4	BLT8C_1x8	AFB-00050	BOLT GR. 8 UNC 1" X 8"
17	6	BLT8C_3-8x1_FLG	AFB-00128	BOLT GR 5. 3/8" X 1" FLANGE
18	4	WSH8_1_LCK	AFW-00006	WASHER GR. 8 - 1" LOCK

SECTION 1.03

STRUCTURAL

3013/3413 LEFT TRAILING ARM
(311000468_C_I)

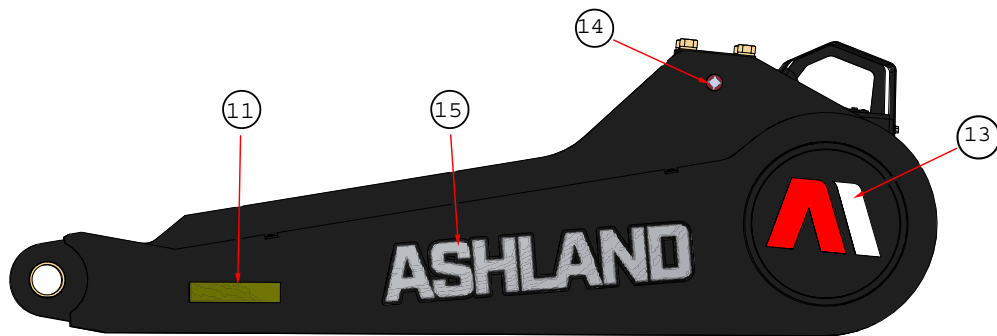
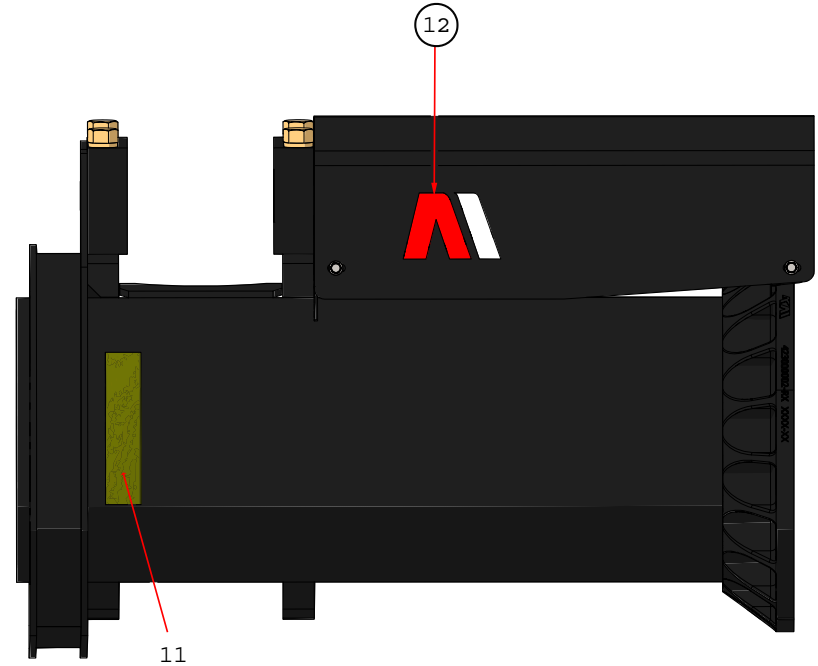
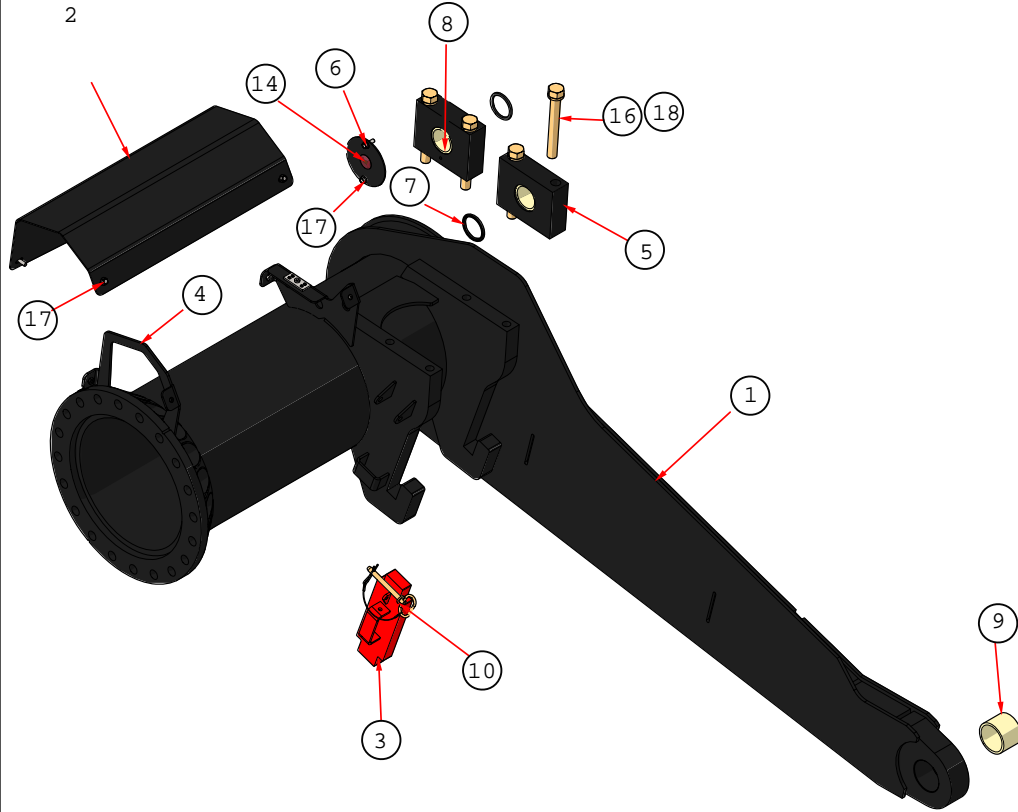


ITEM	QTY	K-TEC P.N.	ASHLAND P.N.	DESCRIPTION
1	1	311000468_w_I		LEFT TRAILING ARM
2	1	111000994_cb_I-CG	504926	LEFT FRONT GUARD
3	1	311000473_w_IJ-SR		TRANSPORT LOCK
4	1	311000352_w_I-CG	601837	LEFT INNER GUARD MOUNT
5	2	211000151_sm_IJ-CG	504087	TRUNIUN BLOCK
6	1	111000842_c_IJ-CG	504963	TRUNNION BLOCK COVER
7	2	402000105	400605	WIPER: 2.50" ID 3.00" OD
8	2	404000130	400604	POLY BUSHING: 2.50" X 30" X 2.06"
9	1	404000131	400603	POLY BUSHING: 3.50" X 3.00" X 2.50"
10	1	405000156		1/2" X 4" HITCH PIN
11	2	411000004		DECAL - REFLECTIVE TAPE, YELLOW
12	1	411000372		DECAL: "AI" LOGO SMALL 3.73X5.5
13	1	411000374		DECAL: "AI" LOGO LARGE 7X11.42
14	2	411000278	ADS - 00083	DECAL - GREASELESS POINT ROUND
15	1	411000346		DECAL - ASHLAND WORDMARK
16	4	BLT8C_1x8	AFB-00050	BOLT GR. 8 UNC 1" X 8"
17	6	BLT8C_3-8x1_FLG	AFB-00128	BOLT GR 5. 3/8" X 1" FLANGE
18	4	WSH8_1_LCK	AFW-00006	WASHER GR. 8 - 1" LOCK

SECTION 1.03

STRUCTURAL

3013/3413 RIGHT TRAILING ARM
(311000469_C_J)

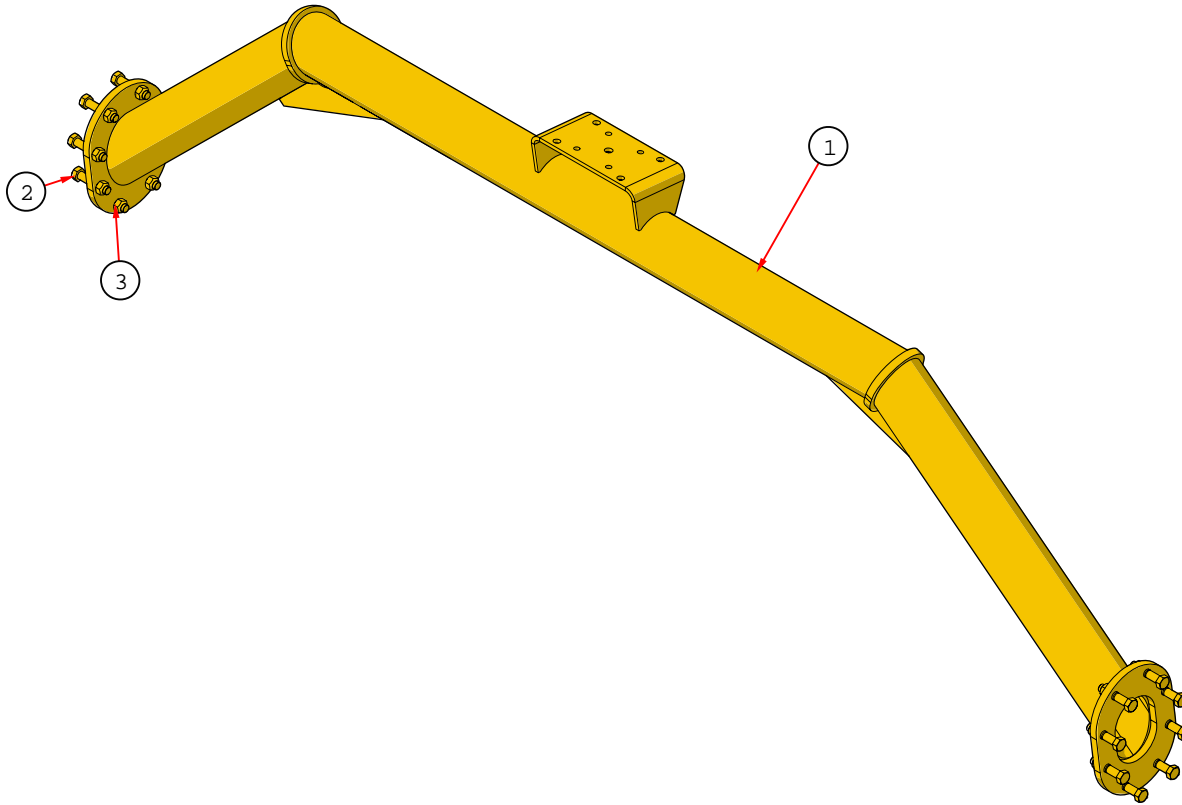


ITEM	QTY	K-TEC P.N.	ASHLAND P.N.	DESCRIPTION
1	1	311000469_w_J		RIGHT TRAILING ARM
2	1	111000995_cb_J-CG	504928	RIGHT FRONT GUARD
3	1	311000473_w_IJ-SR		TRANSPORT LOCK
4	1	311000353_w_J-CG		RIGHT INNER GUARD MOUNT
5	2	211000151_sm_IJ-CG	504087	TRUNIUN BLOCK
6	1	111000842_c_IJ-CG	504963	TRUNNION BLOCK COVER
7	2	402000105	400605	WIPER: 2.50" ID 3.00" OD
8	2	404000130	400604	POLY BUSHING: 2.50" X 30" X 2.06"
9	1	404000131	400603	POLY BUSHING: 3.50" X 3.00" X 2.50"
10	1	405000156		1/2" X 4" HITCH PIN
11	2	411000004		DECAL - REFLECTIVE TAPE, YELLOW
12	1	411000372		DECAL: "AI" LOGO SMALL 3.73X5.5
13	1	411000374		DECAL: "AI" LOGO LARGE 7X11.42
14	2	411000278	ADS - 00083	DECAL - GREASELESS POINT ROUND
15	1	411000346		DECAL - ASHLAND WORDMARK
16	4	BLT8C_1x8	AFB-00050	BOLT GR. 8 UNC 1" X 8"
17	6	BLT8C_3-8x1_FLG	AFB-00128	BOLT GR 5. 3/8" X 1" FLANGE
18	4	WSH8_1_LCK	AFW-00006	WASHER GR. 8 - 1" LOCK

SECTION 1.04

STRUCTURAL

2411/2811 LASER MOUNT
(311001131_S_L)

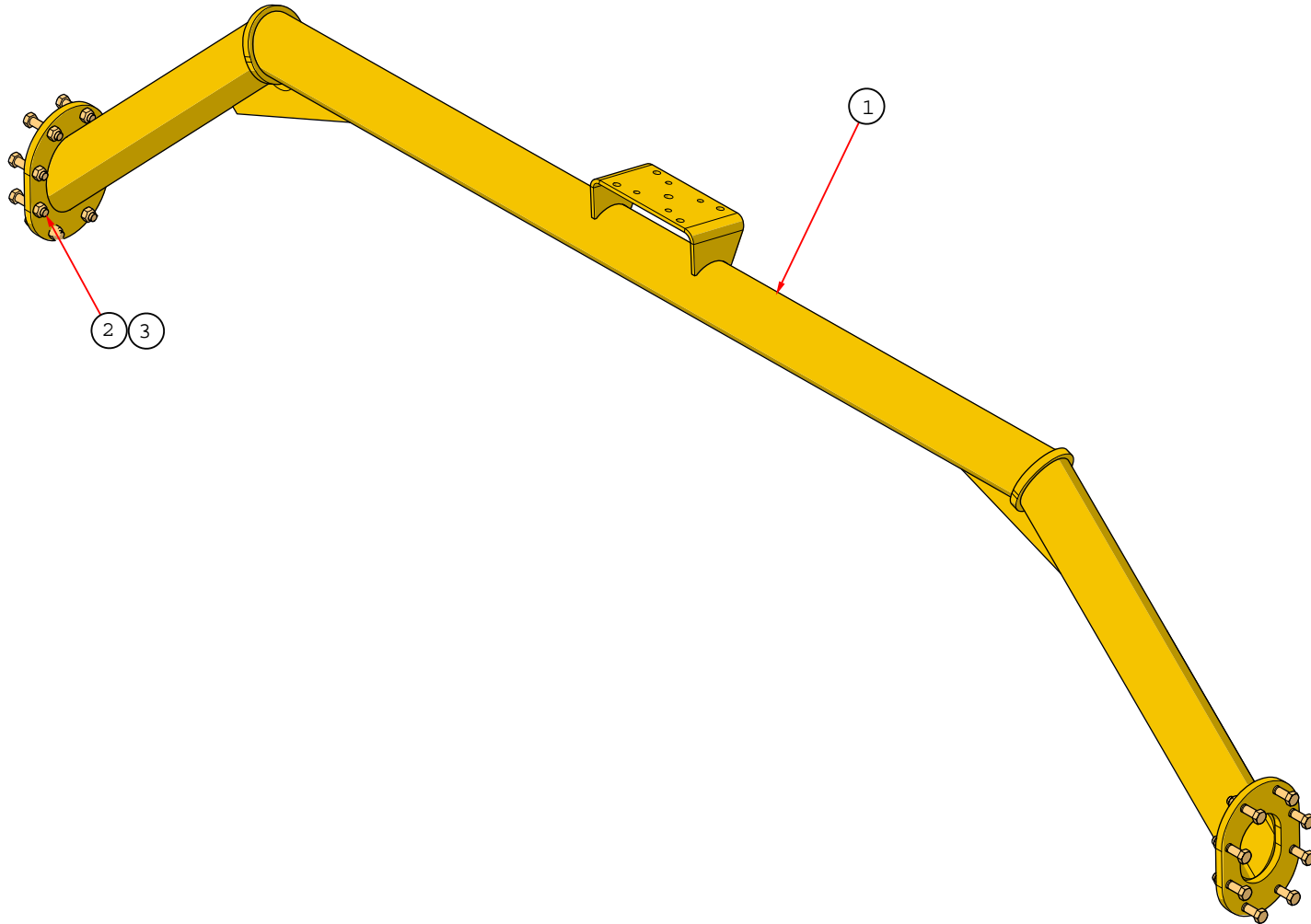


ITEM	QTY	K-TEC P.N.	ASHLAND P.N.	RDESCRIPTION
1	1	311001131_w_L		LASER MOUNT
2	16	BLT8C_3-4x3_1-2	AFB-00097	BOLT GR. 8 UNC 3/4" X 3-1/2"
3	16	NUT8C_3-4_STL	AFN-00062	STOVER NUT: 3/4" UNC

SECTION 1.04

STRUCTURAL

3013/3413 LASER MOUNT
(311000379_S_L)

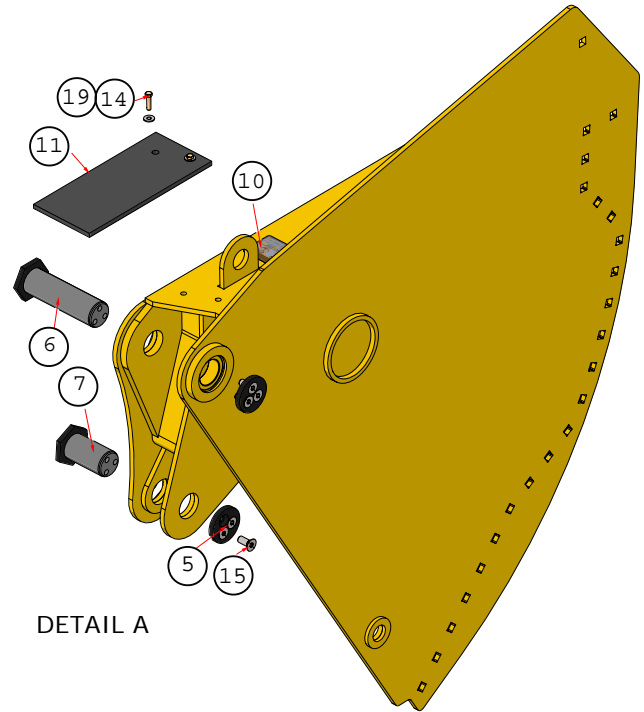
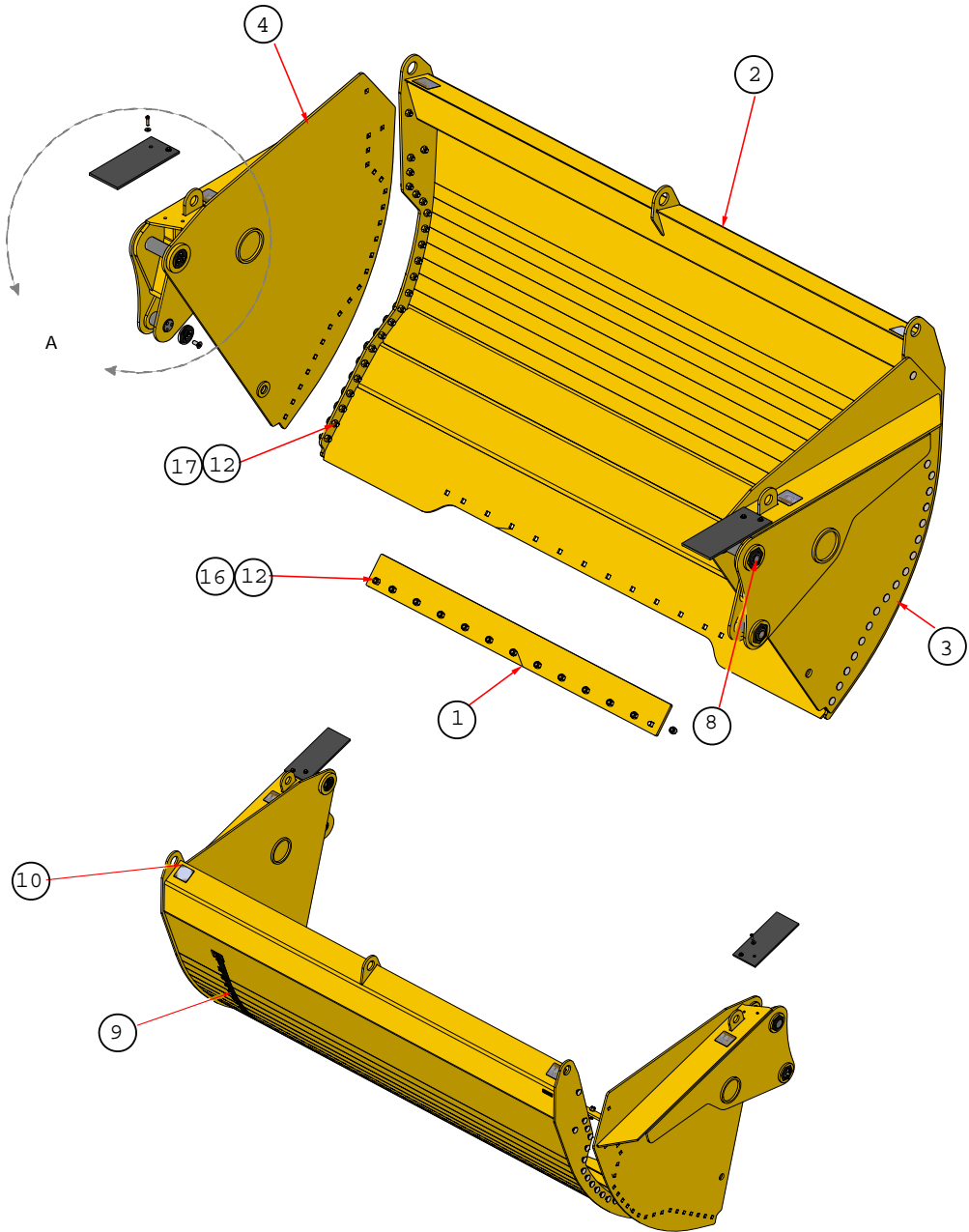


ITEM	QTY	K-TEC P.N.	ASHLAND P.N.	DESCRIPTION
1	1	311000379_w_L		LASER MOUNT
2	16	BLT8C_3-4x3_1-2	AFB-00097	BOLT GR. 8 UNC 3/4" X 3-1/2"
3	16	NUT8C_3-4_STL	AFN-00062	STOVER NUT: 3/4" UNC

SECTION 1.05

STRUCTURAL

2411/2811 GATE / APRON
(311000331_A_G-CY)



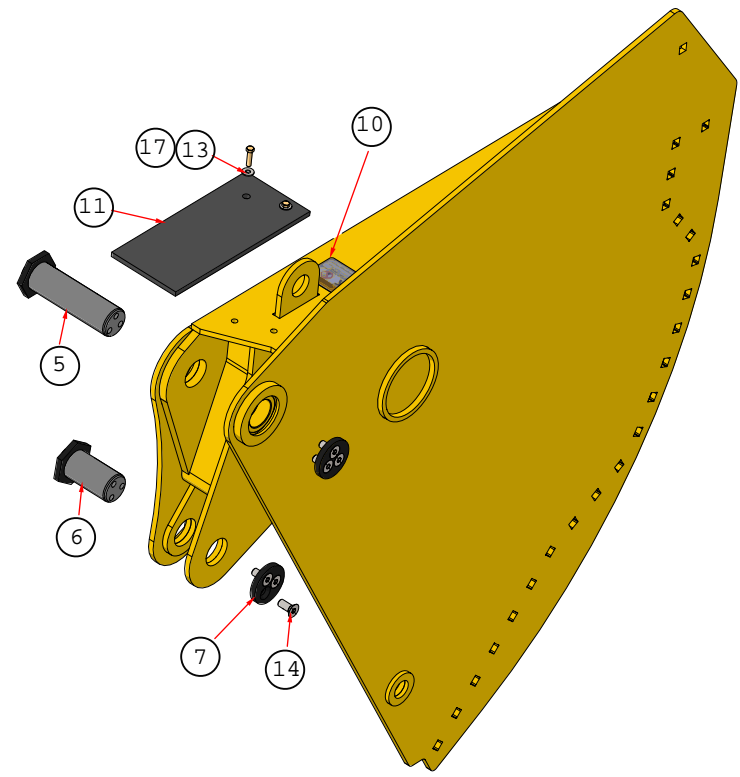
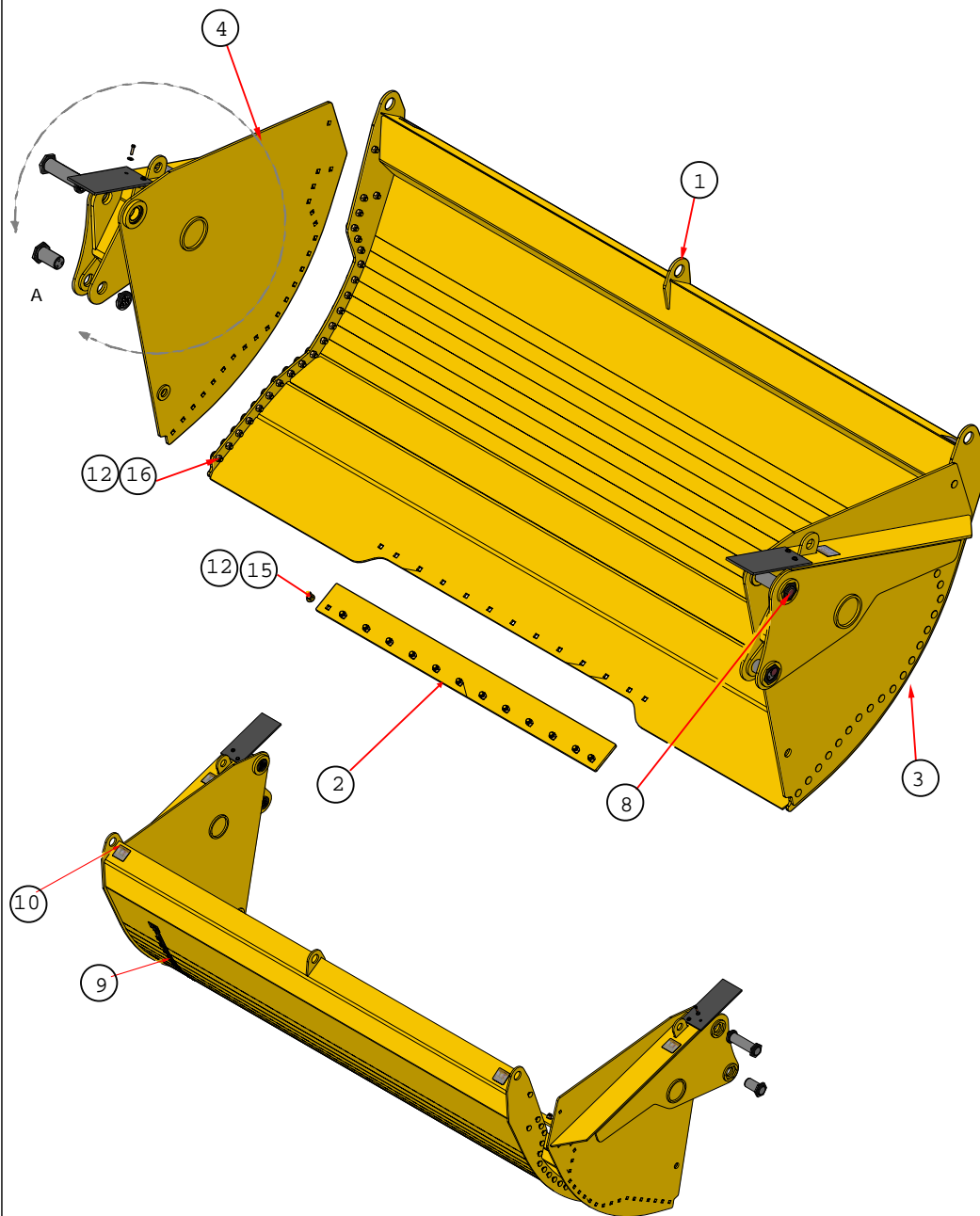
DETAIL A

ITEM	QTY	K-TEC P.N.	ASHLAND P.N.	DESCRIPTION
1	1	101002373_c_G-CY	504973	GATE - CUTTING EDGE
2	1	311000332_w_G	601661	APRON FACE
3	1	311000335_w_G	601663	RIGHT SIDE
4	1	311000334_w_G	601662	LEFT SIDE
5	4	111000551_cm_N-CG	504525	PIN CAP, 1.50" BOLT CIRCLE
6	2	311000284_w_PIN-CG	601423	APRON PIVOT PIN
7	2	311000285_w_PIN-CG	601424	APRON CYLINDER ROD END PIN
8	4	411000278	ADS - 00083	DECAL - GREASELESS POINT ROUND
9	1	411000283	ADS-00066	DECAL: DEPTH GAUGE
10	4	411000353	ADS-00046	DECAL WARNING - NOT FOR LIFTING
11	2	499000223	504712	APRON PIVOT RUBBER FLAP, 1812+
12	59	BLT5C_3-4x2_CRG	AFB-00222	BOLT GR. 5 UNC 3/4" x 2" CARRIAGE
13	4	BLT8C_3-8x1_1-2		BOLT: GR. 8 UNC 3/8" X 1-1/2"
14	12	BLT8C_5-8x1_1-2 FHC	AFB-00200	BOLT GR. 8 UNC 5/8" X 1-1/2" FLAT SC
15	13	NUT8C_3-4_NYL	AFN-00046	NUT: GR 8.3/4" NYLOCK
16	46	NUT8C_3-4_STL	AFN-00062	STOVER NUT: 3/4" UNC
17	4	WSH8_3-8_FLT	AFW-00010	WASHER: GR 5 - 3/8" FLAT

SECTION 1.05

STRUCTURAL

3013/3413 GATE / APRON
(311000385_A_G-CY)



ITEM	QTY	K-TEC P.N.	ASHLAND P.N.	DESCRIPTION
1	1	311000386_w_G	601664	APRON FACE
2	1	101002373_c_G-CY	504973	GATE - CUTTING EDGE
3	1	311000335_w_G	601663	RIGHT SIDE
4	1	311000334_w_G	601662	LEFT SIDE
5	2	311000284_w_PIN-CG	601423	APRON PIVOT PIN
6	2	311000285_w_PIN-CG	601424	APRON CYLINDER ROD END PIN
7	4	111000551_cm_N-CG	504525	PIN CAP, 1.50" BOLT CIRCLE
8	4	411000278	ADS - 00083	DECAL - GREASELESS POINT ROUND
9	1	411000283	ADS-00066	DECAL: DEPTH GAUGE
10	4	411000353	ADS-00046	DECAL WARNING - NOT FOR LIFTING
11	2	499000223	504712	APRON PIVOT RUBBER FLAP, 1812+
12	59	BLT5C_3-4x2_CRG	AFB-00222	BOLT GR. 5 UNC 3/4" x 2" CARRIAGE
13	4	BLT8C_3-8x1_1-2		BOLT: GR. 8 UNC 3/8" X 1-1/2"
14	12	BLT8C_5-8x1_1-2 FHC	AFB-00200	BOLT GR. 8 UNC 5/8" X 1-1/2" FLAT SC
15	13	NUT8C_3-4_NYL	AFN-00046	NUT: GR 8.3/4" NYLOCK
16	46	NUT8C_3-4_STL	AFN-00062	STOVER NUT: 3/4" UNC
17	4	WSH8_3-8_FLT	AFW-00010	WASHER: GR 5 - 3/8" FLAT

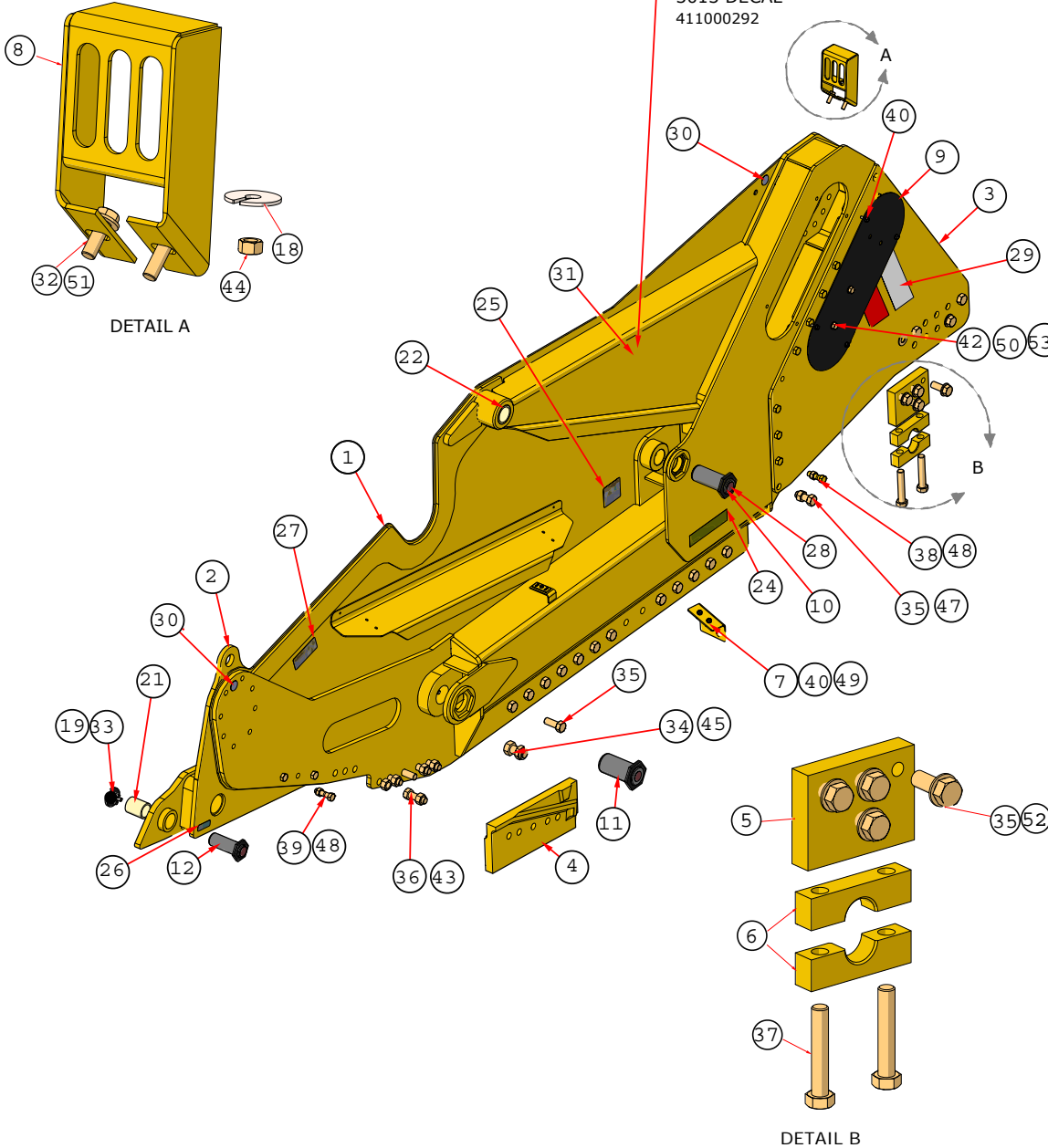
SECTION 1.06

STRUCTURAL

2411/3013 LEFT SIDEWALL
(311001136_S_X)

2411 DECAL
411000288

3013 DECAL
411000292

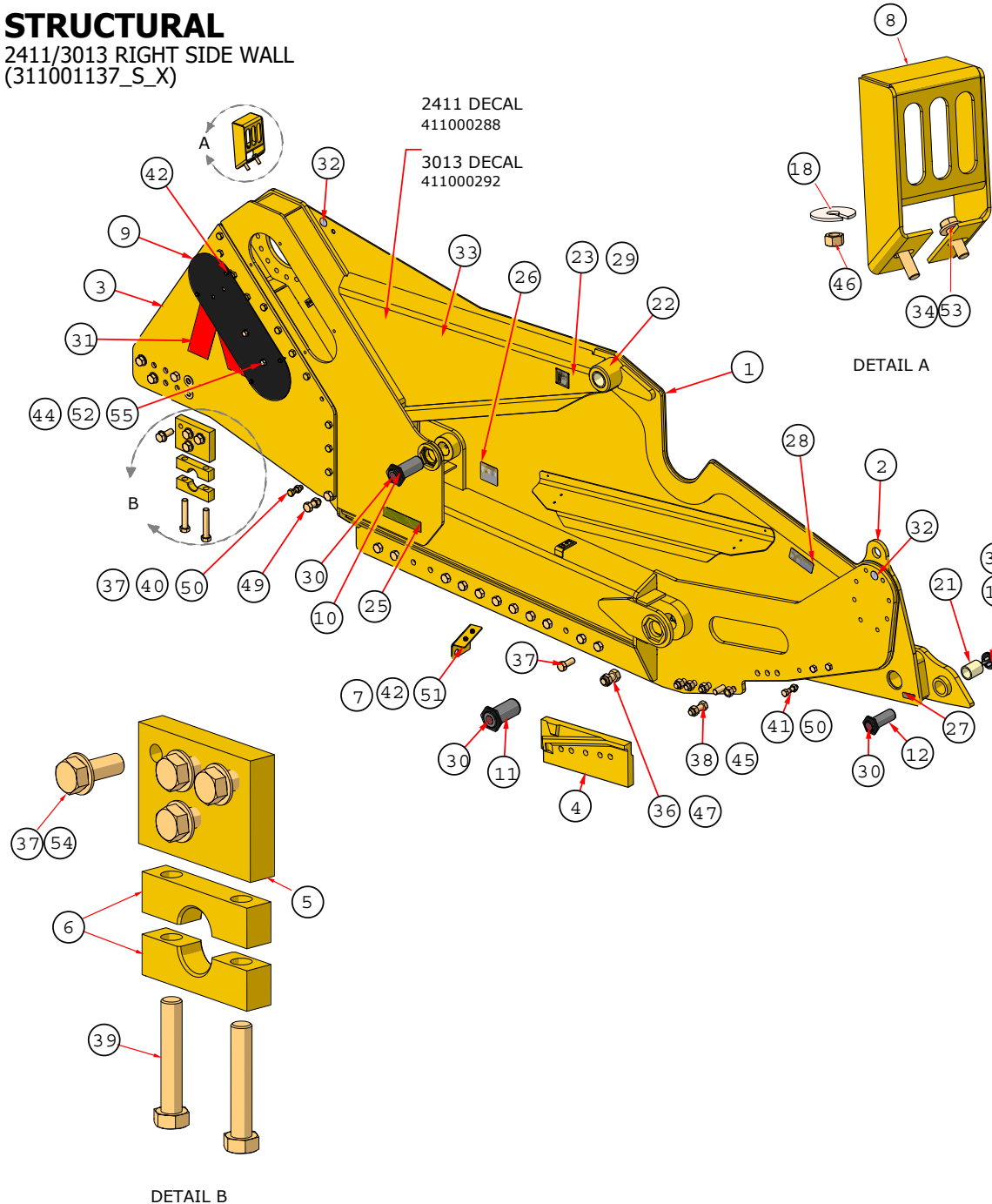


ITEM	QTY	K-TEC P.N.	ASHLAND P.N.	DESCRIPTION
1	1	311001136_w_X		LEFT SIDE WALL
2	1	311001148_w_X		LEFT LIFT EAR
3	1	111002373_c_XY		TAIL PLATE
4	1	413000068	123357	CAT ROUTER BIT
5	1	211000173_sm_W-CY	504673	TAPPED AXLE MOUNT BLOCK
6	2	211000174_sm_W-CY	504035	AXLE CLAMP BLOCK
7	1	111000714_cb_X-CY	504869	LEFT APRON BULKHEAD
8	1	311000302_w_S-CY	600909	LIGHT HOUSING - BOLT ON
9	1	111001043_c_XY-CG		HYDRAULIC COVER
10	1	311000292_w_PIN-CG	601425	MULTI USE PIN
11	1	311000294_w_PIN-CG	601547	FRONT SECTION PIVOT PIN
12	1	311001094_w_PIN-CG		LIFT PIN
13	2	111000551_cm_N-CG	504525	PIN CAP, 1.50" BOLT CIRCLE
14	1	111000653_c_E	504847	3/16" TAIL SLIDER BLOCK SHIM
15	1	111000663_c_E	504846	3/16" FRONT SLIDER BLOCK SHIM
16	1	111000711_c_E	504263	1/8" FRONT SLIDER BLOCK SHIM
17	1	111000712_c_E	504677	1/8" TAIL SLIDER BLOCK SIM
18	1	111000717_c_N-CY	500836	WASHER, LIGHT MOUNT
19	1	111002009_cm_N-CG	505276	PIN CAP 1.25" DIA. BOLT CIRCLE
20	1	111002374_c_XY-CY		TAIL SPACER PLATE
21	1	404000003		POLY BUSHING: 2.00" X 2.50" X 3.00"
22	2	404000132	400374	POLY BUSHING, 2.50 X 3.00" X 2.25"
23	1	411000003		DECAL RED STRIP (REFLECTIVE LIGHT)
24	1	411000004		DECAL - REFLECTIVE TAPE, YELLOW
25	1	411000040	750464	DECAL - WARNING HIGH-PRESSURE HYD
26	1	411000102-R1		DECAL TIE-DOWN
27	1	411000261	ADS-00011	DECAL - CRUSHING HAZARD
28	3	411000278	ADS - 00083	DECAL - GREASELESS POINT ROUND
29	1	411000375		AI EXTRA LARGE DECAL
30	2	411000281	ADS - 00091	DECAL - LIFT POINT ROUND
31	1	411000288		DECAL: 2411 BADGE
32	2	BLT8C_1-2x1_1-2	AFB-00015	BOLT: GR 8. UNC 1/2" X 1-1/2"
33	3	BLT8C_1-2x1_1-2 FHC	AFB-00185	BOLT GR. 8 UNC 1/2" X 1-1/2" FLAT SC
34	1	BLT8C_1_1-4x2_1-2		BOLT GR. 8 UNC 1-1/4" X 2-1/2"
35	21	BLT8C_1x2_1-2	AFB-00036	BOLT GR. 8 UNC 1" X 2-1/2"
36	5	BLT8C_1x3	AFB-00018	BOLT GR. 8 UNC 1" x 3"
37	2	BLT8C_1x5_1-2	AFB-00021	BOLT GR. 8 UNC 1" x 5-1/2"
38	12	BLT8C_3-4x2_1-2	AFB-00005	BOLT GR. 8 UNC 3/4" X 2-1/2"
39	3	BLT8C_3-4x2_3-4	AFB-00218	BOLT: GR. 8 UNCE 3/4" X 2-3/4"
40	6	BLT8C_3-8x1_FLG	AFB-00128	BOLT GR 5. 3/8" X 1" FLANGE
41	6	BLT8C_5-8x1_1-2 FHC	AFB-00200	BOLT GR. 8 UNC 5/8" X 1-1/2" FLAT SC
42	2	BLT8C_5-8x1_3-4		BOLT GR. 8 UNC 5/8" X 1-3/4"
43	5	NUT8C_1	AFN-00012	NUT GR. 8 UNC 1"
44	1	NUT8C_1-2	AFN-00015	NUT GR. 8 UNC 1/2"
45	1	NUT8C_1_1-4_STL		NUT GR. 8 UNC 1-1/4" STOVER LOCK
46	2	NUT8C_1_NYL	AFN-00077	NUT GR. 8 UNC 1" NYLON LOCK
47	1	NUT8C_1_STL	AFN-00037	STOVER NUT: 1" UNC
48	15	NUT8C_3-4_STL	AFN-00062	STOVER NUT: 3/4" UNC
49	2	NUT8C_3-8_NYL	AFN-00044	NUT GR. 8 NYLON LOCK 3/8" UNC
50	2	NUT8C_5-8_NYL	AFN-00081	NUT: GR. 8 UNC 5/8" NYLON LOCK
51	2	WSH8_1-2_STR	AFW-00044	WASHER GR. 8 - 1/2" STRUCTURAL
52	8	WSH8_1_STR	AFW-00011	1" STRUCTURAL WASHER
53	2	WSH8_5-8_STR	AFW-00043	WASHER GR. 8 - 5/8" STRUCTURAL

SECTION 1.06

STRUCTURAL

2411/3013 RIGHT SIDE WALL
(311001137_S_X)

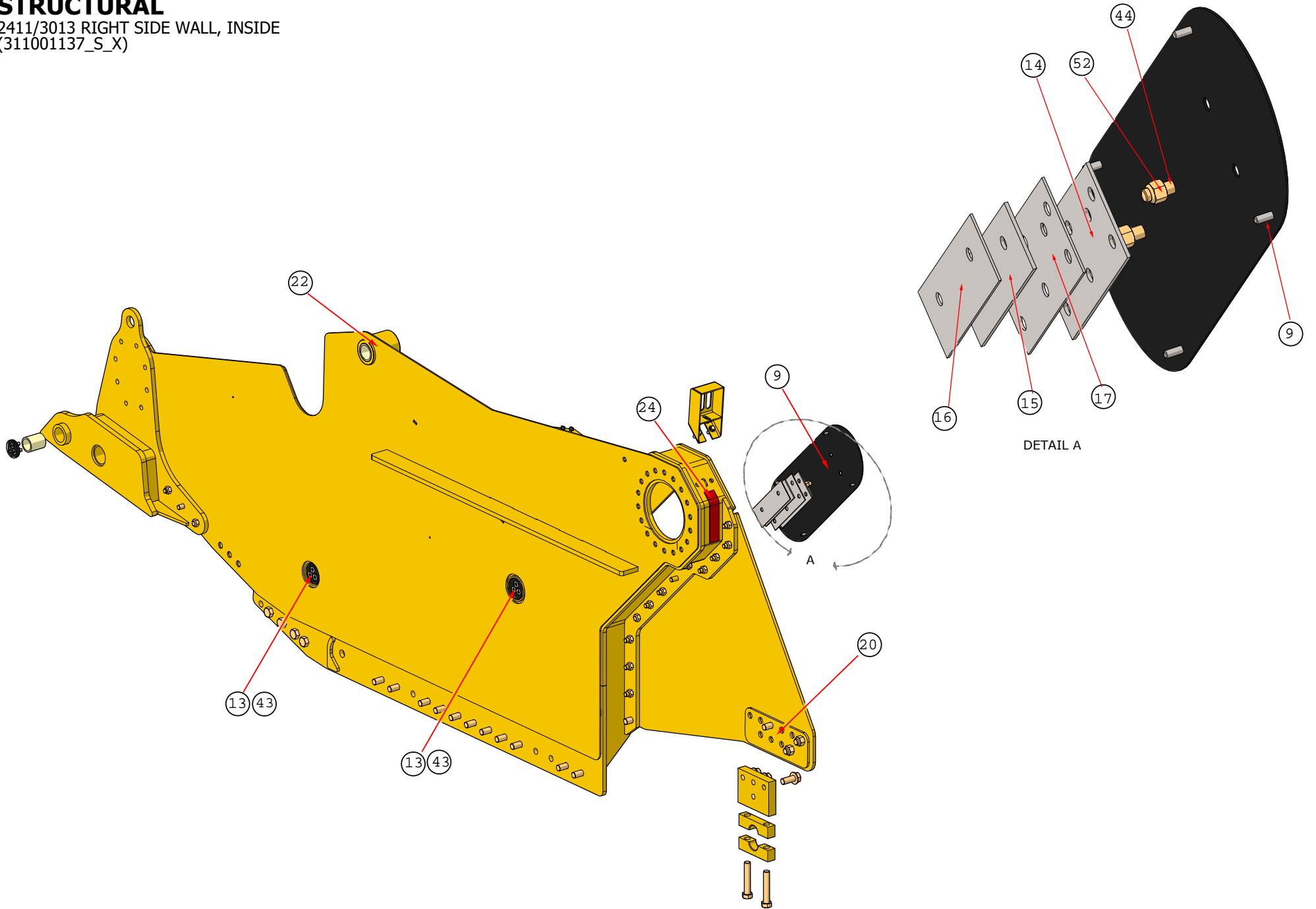


ITEM	QTY	K-TEC P.N.	ASHLAND P.N.	DESCRIPTION
1	1	311001137_w_Y		RH SIDE WALL
2	1	311001149_w_Y		RIGHT LIFT EAR
3	1	111002373_c_XY		TAIL PLATE
4	1	413000068	123357	CAT ROUTER BIT
5	1	211000173_sm_W-CY	504673	TAPPED AXLE MOUNT BLOCK
6	2	211000174_sm_W-CY	504035	AXLE CLAMP BLOCK
7	1	111000715_cb_Y-CY		RIGHT APRON BULKHEAD
8	1	311000302_w_S-CY	600909	LIGHT HOUSING, BOLT-ON
9	1	111001043_c_XY-CG		HYDRAULIC COVER
Z	1	311000292_w_PIN-CG	601425	MULTI USE PIN
11	1	311000294_w_PIN-CG	601547	FRONT SECTION PIVOT PIN
12	1	311001094_w_PIN-CG		LIFT PIN
13	2	111000551_cm_N-CG	504525	PIN CAP, 1.50" BOLT CIRCLE
14	1	111000653_c_E	504847	3/16" TAIL SLIDER BLOCK SHIM
15	1	111000663_c_E	504846	3/16" FRONT SLIDER BLOCK SHIM
16	1	111000711_c_E	504263	1/8" FRONT SLIDER BLOCK SHIM
17	1	111000712_c_E	504677	1/8" TAIL SLIDER BLOCK SIM
18	1	111000717_c_N-CY	500836	WASHER, LIGHT MOUNT
19	1	111002009_cm_N-CG	505276	PIN CAP 1.25" DIA. BOLT CIRCLE
20	1	111002374_c_XY-CY		TAIL SPACER PLATE
21	1	404000003		POLY BUSHING: 2.00" X 2.50" 3.00"
22	2	404000132	400374	POLY BUSHING, 2.50" X 3.00" X 2.25"
23	4	405000135		#4 X 5/16" U-DRIVE SCREW, ROUND HEAD
24	1	411000003		DECAL RED STRIP (REFLECTIVE LIGHT)
25	1	411000004		DECAL - REFLECTIVE TAPE, YELLOW
26	1	411000040	750464	DECAL - WARNING HIGH-PRESSURE HYD
27	1	411000102-R1		DECAL TIE-DOWN
28	1	411000261	ADS-00011	DECAL - CRUSHING HAZARD
29	1	411000263		SERIAL NUMBER PLATE
30	3	411000278	ADS - 00083	DECAL - GREASELESS POINT ROUND
31	1	411000375		AI EXTRA LARGE DECAL
32	2	411000281	ADS - 00091	DECAL - LIFT POINT ROUND
33	1	411000288		DECAL: 2411 BADGE
34	2	BLT8C_1-2x1_1-2	AFB-00015	BOLT: GR 8. UNC 1/2" X 1-1/2"
35	3	BLT8C_1-2x1_1-2 FHC	AFB-00185	BOLT GR. 8 UNC 1/2" X 1-1/2" FLAT SC
36	1	BLT8C_1-1-4x2_1-2		BOLT GR. 8 UNC 1-1/4" X 2-1/2"
37	21	BLT8C_1x2_1-2	AFB-00036	BOLT GR. 8 UNC 1" X 2-1/2"
38	5	BLT8C_1x3	AFB-00018	BOLT GR. 8 UNC 1" x 3"
39	2	BLT8C_1x5_1-2	AFB-00021	BOLT GR. 8 UNC 1" x 5-1/2"
40	12	BLT8C_3-4x2_1-2	AFB-00005	BOLT GR. 8 UNC 3/4" X 2-1/2"
41	3	BLT8C_3-4x2_3-4	AFB-00218	BOLT: GR. 8 UNCE 3/4" X 2-3/4
42	6	BLT8C_3-8x1_FLG	AFB-00128	BOLT GR 5. 3/8" X 1" FLANGE
43	6	BLT8C_5-8x1_1-2 FHC	AFB-00200	BOLT GR. 8 UNC 5/8" X 1-1/2" FLAT SC
44	2	BLT8C_5-8x1_3-4		BOLT GR. 8 UNC 5/8" X 1-3/4"
45	5	NUT8C_1	AFN-00012	NUT GR. 8 UNC 1"
46	1	NUT8C_1-2	AFN-00015	NUT GR. 8 UNC 1/2"
47	1	NUT8C_1-1-4_STL		NUT GR. 8 UNC 1-1/4" STOVER LOCK
48	2	NUT8C_1_NYL	AFN-00077	NUT GR. 8 UNC 1" NYLON LOCK
49	1	NUT8C_1_STL	AFN-00037	STOVER NUT: 1" UNC
50	15	NUT8C_3-4_STL	AFN-00062	STOVER NUT: 3/4" UNC
51	2	NUT8C_3-8_NYL	AFN-00044	NUT GR. 8 NYLON LOCK 3/8" UNC
52	2	NUT8C_5-8_NYL	AFN-00081	NUT: GR. 8 UNC 5/8" NYLON LOCK
53	2	WSH8_1-2_STR	AFW-00044	WASHER GR. 8 - 1/2" STRUCTURAL
54	8	WSH8_1_STR	AFW-00011	1" STRUCTURAL WASHER
55	2	WSH8_5-8_STR	AFW-00043	WASHER GR. 8 - 5/8" STRUCTURAL

SECTION 1.06

STRUCTURAL

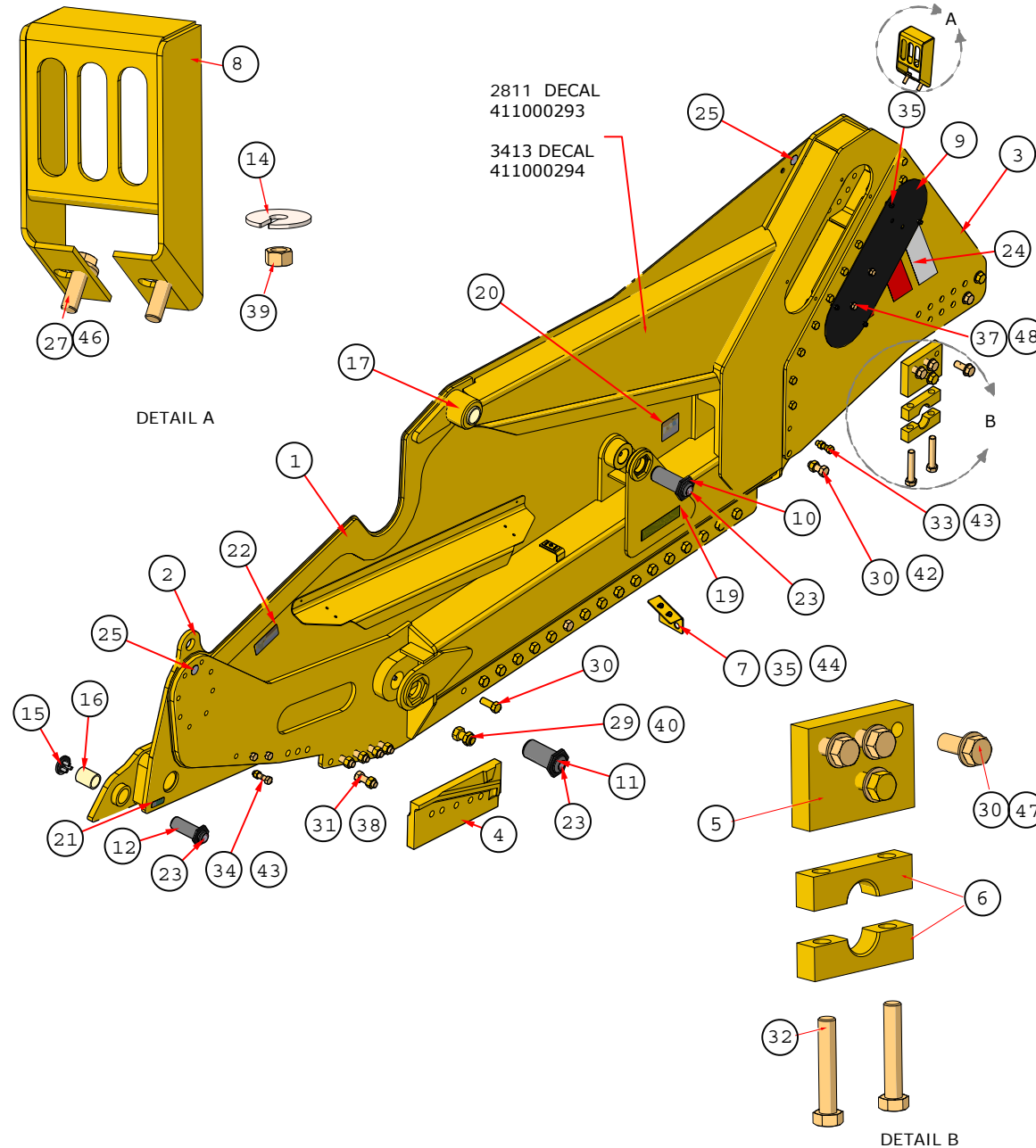
2411/3013 RIGHT SIDE WALL, INSIDE
(311001137_S_X)



SECTION 1.06

STRUCTURAL

2811/3413 LEFT SIDEWALL
(311001116_S_X)

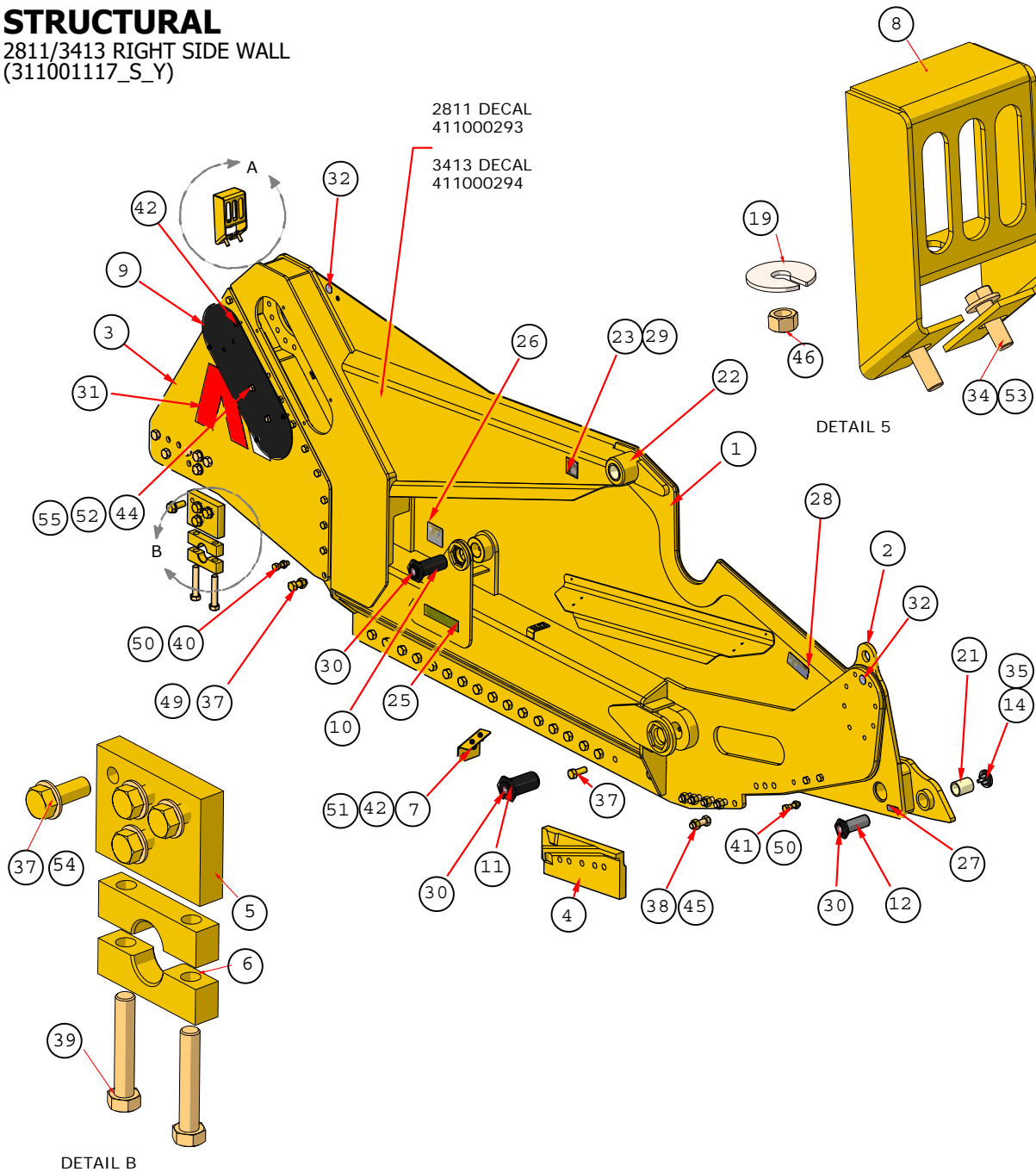


ITEM	QTY	K-TEC P.N.	ASHLAND P.N.	RDESCRIPTION
1	1	311001116_w_X		LEFT SIDE WALL
2	1	311001148_w_X		LEFT LIFT EAR
3	1	111002373_c_XY		TAIL PLATE
4	1	413000068	123357	CAT ROUTER BIT
5	1	211000173_sm_W-CY	504673	TAPPED AXLE MOUNT
6	2	211000174_sm_W-CY	504035	AXLE CLAMP BLOCK
7	1	111000714_cb_X-CY	504869	RIGHT APRON BULKHEAD
8	1	311000302_w_S-CY	600909	LIGHT HOUSING, BOLT-ON
9	1	111001043_c_XY-CG		HYDRAULIC COVER
10	1	311000292_w_PIN-CG	601425	MULTI USE PIN
11	1	311000294_w_PIN-CG	601547	FRONT SECTION PIVOT PIN
12	1	311001094_w_PIN-CG		LIFT PIN
13	2	111000551_cm_N-CG	504525	PIN CAP, 1.50" BOLT CIRCLE
14	1	111000717_c_N-CY	500836	WASHER, LIGHT MOUNT
15	1	111002009_cm_N-CG	505276	PIN CAP, 1.25" DIA.
16	1	404000003		POLY BUSHING: 2.00" X 2.50" X 3.00"
17	2	404000132	400374	POLY BUSHING, 2.50 X 3.00 X 2.25
18	1	411000003		DECAL RED STRIP (REFLECTIVE LIGHT)
19	1	411000004		DECAL - REFLECTIVE TAPE, YELLOW
20	1	411000040	750464	DECAL - WARNING HIGH-PRESSURE HYD
21	1	411000102-R1		DECAL TIE-DOWN
22	1	411000261	ADS-00011	DECAL - CRUSHING HAZARD
23	3	411000278	ADS - 00083	DECAL - GREASELESS POINT ROUND
24	1	411000375		AI EXTRA LARGE DECAL
25	2	411000281	ADS - 00091	DECAL - LIFT POINT ROUND
26	1	111000614_cb_S	502574	LIGHT BRACKET STAND
27	2	BLT8C_1-2x1_1-2	AFB-00015	BOLT: GR 8. UNC 1/2" X 1-1/2"
28	3	BLT8C_1-2x1_1-2 FHC	AFB-00185	BOLT GR. 8 UNC 1/2" X 1-1/2" FLAT SC
29	1	BLT8C_1_1-4x2_1-2		BOLT GR. 8 UNC 1-1/4" X 2-1/2"
30	24	BLT8C_1x2_1-2	AFB-00036	BOLT GR. 8 UNC 1" X 2-1/2"
31	5	BLT8C_1x3	AFB-00018	BOLT GR. 8 UNC 1" x 3"
32	2	BLT8C_1x5_1-2	AFB-00021	BOLT GR. 8 UNC 1" x 5-1/2"
33	12	BLT8C_3-4x2_1-2	AFB-00005	BOLT GR. 8 UNC 3/4" X 2-1/2"
34	3	BLT8C_3-4x2_3-4	AFB-00218	BOLT: GR. 8 UNCE 3/4" X 2-3/4
35	6	BLT8C_3-8x1_FLG	AFB-00128	BOLT GR 5. 3/8" X 1" FLANGE
36	6	BLT8C_5-8x1_1-2 FHC	AFB-00200	BOLT GR. 8 UNC 5/8" X 1-1/2" FLAT SC
37	2	BLT8C_5-8x1_3-4		BOLT GR. 8 UNC 5/8" X 1-3/4"
38	5	NUT8C_1	AFN-00012	NUT GR. 8 UNC 1"
39	1	NUT8C_1-2	AFN-00015	NUT GR. 8 UNC 1/2"
40	1	NUT8C_1_1-4_STL		NUT GR. 8 UNC 1-1/4" STOVER LOCK
41	2	NUT8C_1_NYL	AFN-00077	NUT GR. 8 UNC 1" NYLON LOCK
42	1	NUT8C_1_STL	AFN-00037	STOVER NUT: 1" UNC
43	15	NUT8C_3-4_STL	AFN-00062	STOVER NUT: 3/4" UNC
44	2	NUT8C_3-8_NYL	AFN-00044	NUT GR. 8 NYLON LOCK 3/8" UNC
45	2	NUT8C_5-8_NYL	AFN-00081	NUT: GR. 8 UNC 5/8" NYLON LOCK
46	2	WSH8_1-2_STR	AFW-00044	WASHER GR. 8 - 1/2" STRUCTURAL
47	6	WSH8_1_STR	AFW-00011	1" STRUCTURAL WASHER
48	2	WSH8_5-8_STR	AFW-00043	WASHER GR. 8 - 5/8" STRUCTURAL
49	1	111000653_c_E	504847	3/16" TAIL SLIDER BLOCK SHIM
50	1	111000663_c_E	504846	3/16" FRONT SLIDER BLOCK SHIM
51	1	111000711_c_E	504263	1/8" FRONT SLIDER BLOCK SHIM
52	1	111000712_c_E	504677	1/8" TAIL SLIDER BLOCK SIM
53	1	111002374_c_XY-CY		TAIL SPACER PLATE

SECTION 1.06

STRUCTURAL

2811/3413 RIGHT SIDE WALL
(311001117_S_Y)

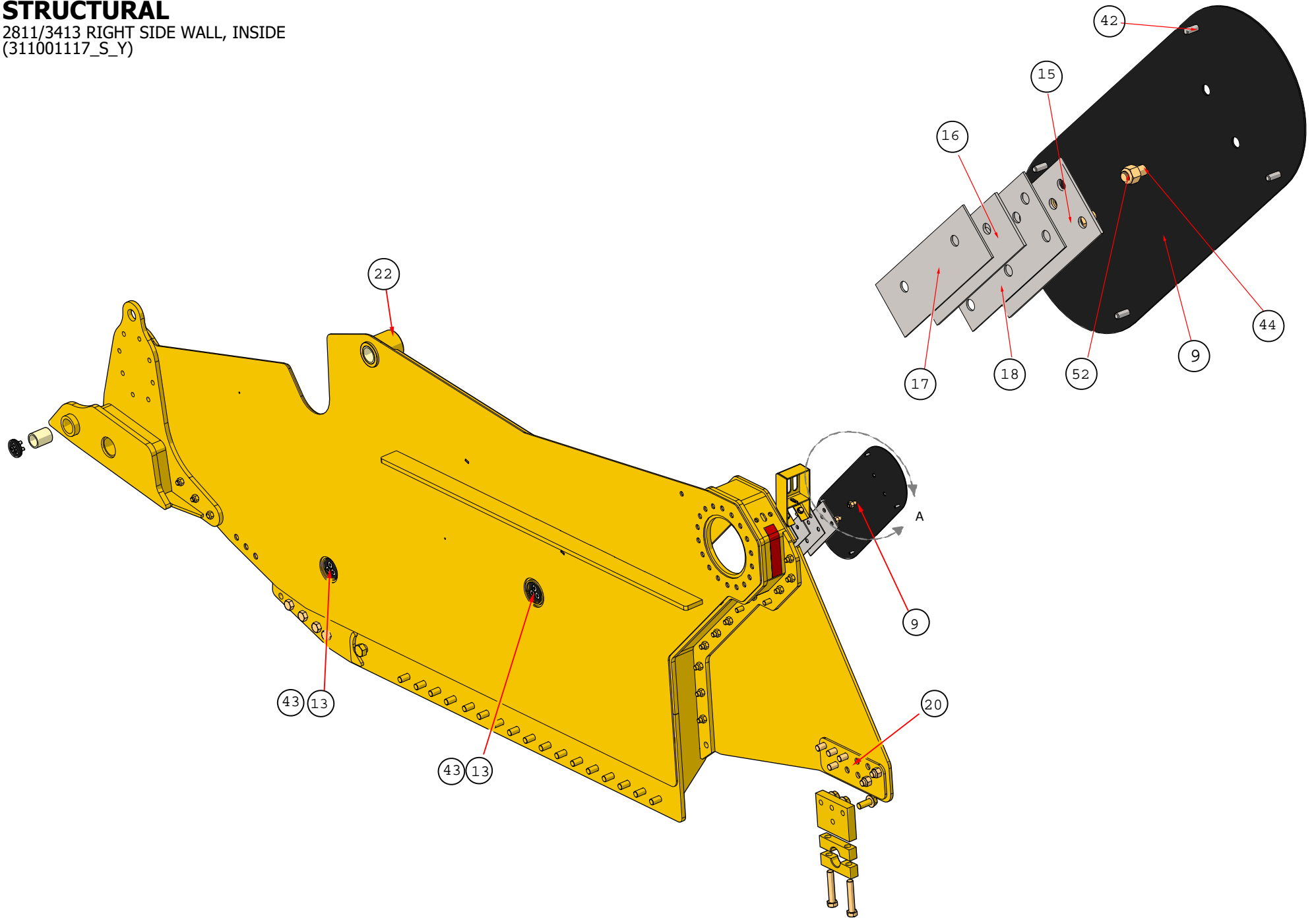


ITEM	QTY	K-TEC P.N.	ASHLAND P.N.	DESCRIPTION
1	1	311001117_w_Y		RIGHT SIDE WALL
2	1	311001149_w_Y		RIGHT LIFT EAR
3	1	111002373_c_XY		TAIL PLATE
4	1	413000068	123357	CAT ROUTER BIT
5	1	211000173_sm_W-CY	504673	TAPPED AXLE MOUNT BLOCK
6	1	211000174_sm_W-CY	504035	AXLE CLAMP BLOCK
7	2	111000715_cb_Y-CY		RIGHT APRON BULKHEAD
8	1	311000302_w_S-CY	600909	RIGHT APRON BULKHEAD
9	1	111001043_c_XY-CG		HYDRAULIC COVER
10	1	311000292_w_PIN-CG	601425	MUTI USE PIN
11	1	311000294_w_PIN-CG	601547	FRONT SECTION PIVOT PIN
12	1	311001094_w_PIN-CG		LIFT PIN
13	2	111000551_cm_N-CG	504525	PIN CAP, 1.50" DIA. BOLT CIRCLE
14	1	111002009_cm_N-CG	505276	PIN CAP, 1.25" DIA. BOLT CIRCLE
15	1	111000653_c_E	504847	3/16" TAIL SLIDER BLOCK SHIM
16	1	111000663_c_E	504846	3/16" FRONT SLIDER BLOCK SHIM
17	1	111000711_c_E	504263	1/8" FRONT SLIDER BLOCK SHIM
18	1	111000712_c_E	504677	1/8" TAIL SLIDER BLOCK SIM
19	1	111000717_c_N-CY	500836	WASHER, LIGHT MOUNT
20	1	111002374_c_XY-CY		TAIL SPACER PLATE
21	1	404000003		POLY BUSHING, 2.00", 2.50", 3.00"
22	2	404000132	400374	POLY BUSHING, 2.50" X 3.00" X 2.25"
23	1	405000135		#4 X 5/16" U-DRIVE SCREW, ROUND HEAD
24	1	411000003		DECAL RED STRIP (REFLECTIVE LIGHT)
25	1	411000004		DECAL - REFLECTIVE TAPE, YELLOW
26	1	411000040	750464	DECAL - WARNING HIGH-PRESSURE HYD
27	1	411000102-R1		DECAL TIE-DOWN
28	1	411000261	ADS-00011	DECAL - CRUSHING HAZARD
29	1	411000263		SERIAL NUMBER PLATE
30	3	411000278	ADS - 00083	DECAL - GREASELESS POINT ROUND
31	1	411000375		AI EXTRA LARGE DECAL
32	2	411000281	ADS - 00091	DECAL - LIFT POINT ROUND
33	1	411000293	ADS-00096	2811 DECAL
34	2	BLT8C_1-2x1_1-2	AFB-00015	BOLT: GR 8. UNC 1/2" X 1-1/2"
35	3	BLT8C_1-2x1_1-2 FHC	AFB-00185	BOLT GR. 8 UNC 1/2" X 1-1/2" FLAT SC
36	1	BLT8C_1_1-4x2_1-2		BOLT GR. 8 UNC 1-1/4" X 2-1/2"
37	24	BLT8C_1x2_1-2	AFB-00036	BOLT GR. 8 UNC 1" X 2-1/2"
38	5	BLT8C_1x3	AFB-00018	BOLT GR. 8 UNC 1" x 3"
39	2	BLT8C_1x5_1-2	AFB-00021	BOLT GR. 8 UNC 1" x 5-1/2"
40	12	BLT8C_3-4x2_1-2	AFB-00005	BOLT GR. 8 UNC 3/4" X 2-1/2"
41	3	BLT8C_3-4x2_3-4	AFB-00218	BOLT: GR. 8 UNCE 3/4" X 2-3/4
42	6	BLT8C_3-8x1_FLG	AFB-00128	BOLT GR 5. 3/8" X 1" FLANGE
43	6	BLT8C_5-8x1_1-2 FHC	AFB-00200	BOLT GR. 8 UNC 5/8" X 1-1/2" FLAT SC
44	2	BLT8C_5-8x1_3-4		BOLT GR. 8 UNC 5/8" X 1-3/4"
45	5	NUT8C_1	AFN-00012	NUT GR. 8 UNC 1"
46	1	NUT8C_1-2	AFN-00015	NUT GR. 8 UNC 1/2"
47	1	NUT8C_1-1-4_STL		NUT GR. 8 UNC 1-1/4" STOVER LOCK
48	2	NUT8C_1_NYL	AFN-00077	NUT GR. 8 UNC 1" NYLON LOCK
49	1	NUT8C_1_STL	AFN-00037	STOVER NUT: 1" UNC
50	15	NUT8C_3-4_STL	AFN-00062	STOVER NUT: 3/4" UNC
51	2	NUT8C_3-8_NYL	AFN-00044	NUT GR. 8 NYLON LOCK 3/8" UNC
52	2	NUT8C_5-8_NYL	AFN-00081	NUT: GR. 8 UNC 5/8" NYLON LOCK
53	2	WSH8_1-2_STR	AFW-00044	WASHER GR. 8 - 1/2" STRUCTURAL
54	6	WSH8_1_STR	AFW-00011	1" STRUCTURAL WASHER
55	2	WSH8_5-8_STR	AFW-00043	WASHER GR. 8 - 5/8" STRUCTURAL

SECTION 1.06

STRUCTURAL

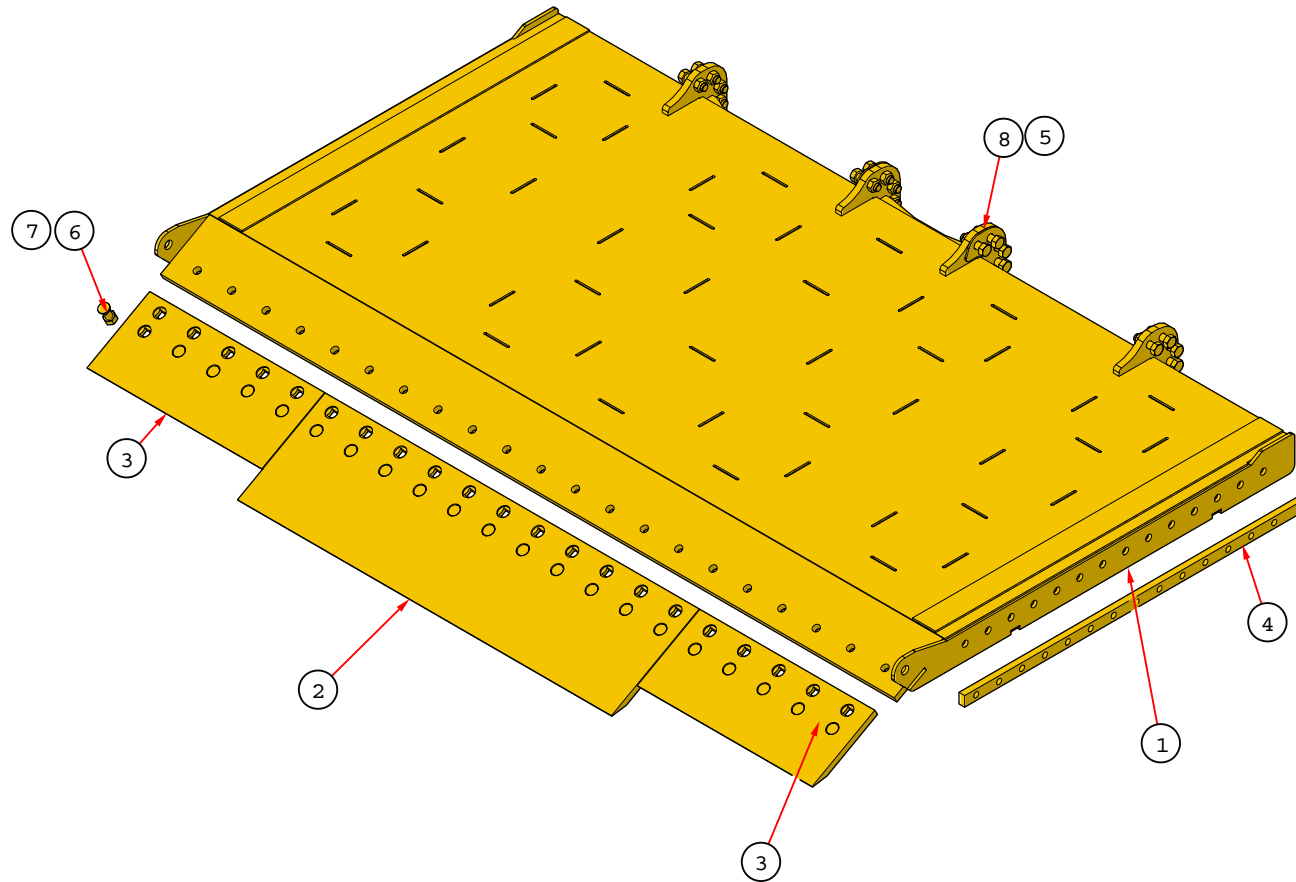
2811/3413 RIGHT SIDE WALL, INSIDE
(311001117_S_Y)



SECTION 1.07

STRUCTURAL

2411 FLOOR
(311001261_S_F)

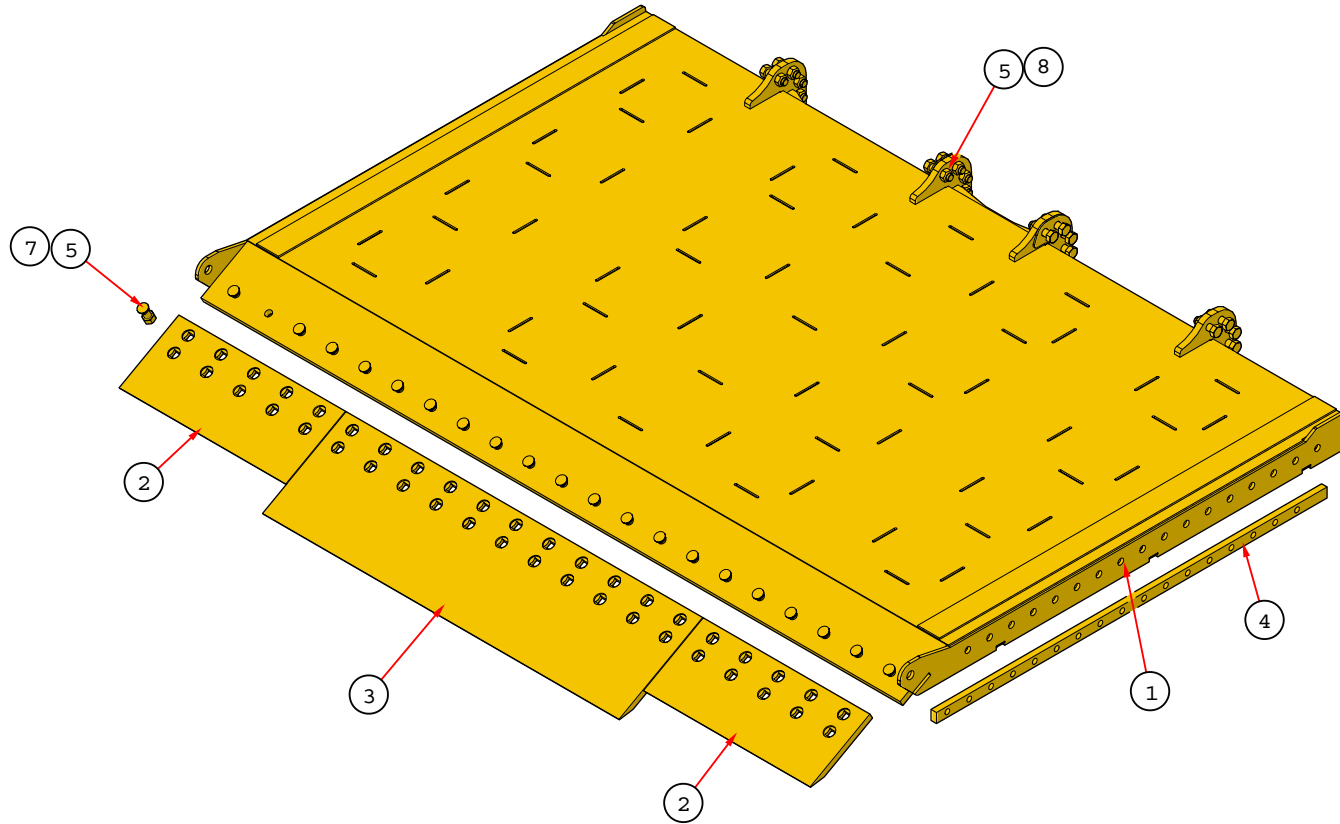


ITEM	QTY	K-TEC P.N.	ASHLAND P.N.	DESCRIPTION
1	1	311001165_w_F		FLOOR
2	1	413002009	400597	CENTER BLADE
3	2	413002010	400668	OUTER BLADE
4	2	211000163_sm_F	504730	FLOOR NUT
5	20	BLT8C_1x3_1-2	AFB-00086	BOLT GR. 8 UNC 1" X 3-1/2"
6	21	BLT8C_1x3_PLW	PB1P-NC-100-0275	BOLT GR. 8 UNC 1" X 3" PLOW
7	21	NUT8C_1	AFN-00012	NUT GR. 8 UNC 1"
8	20	NUT8C_1_STL	AFN-00037	STOVER NUT: 1" UNC

SECTION 1.07

STRUCTURAL

2811 FLOOR
(311001262_S_F)

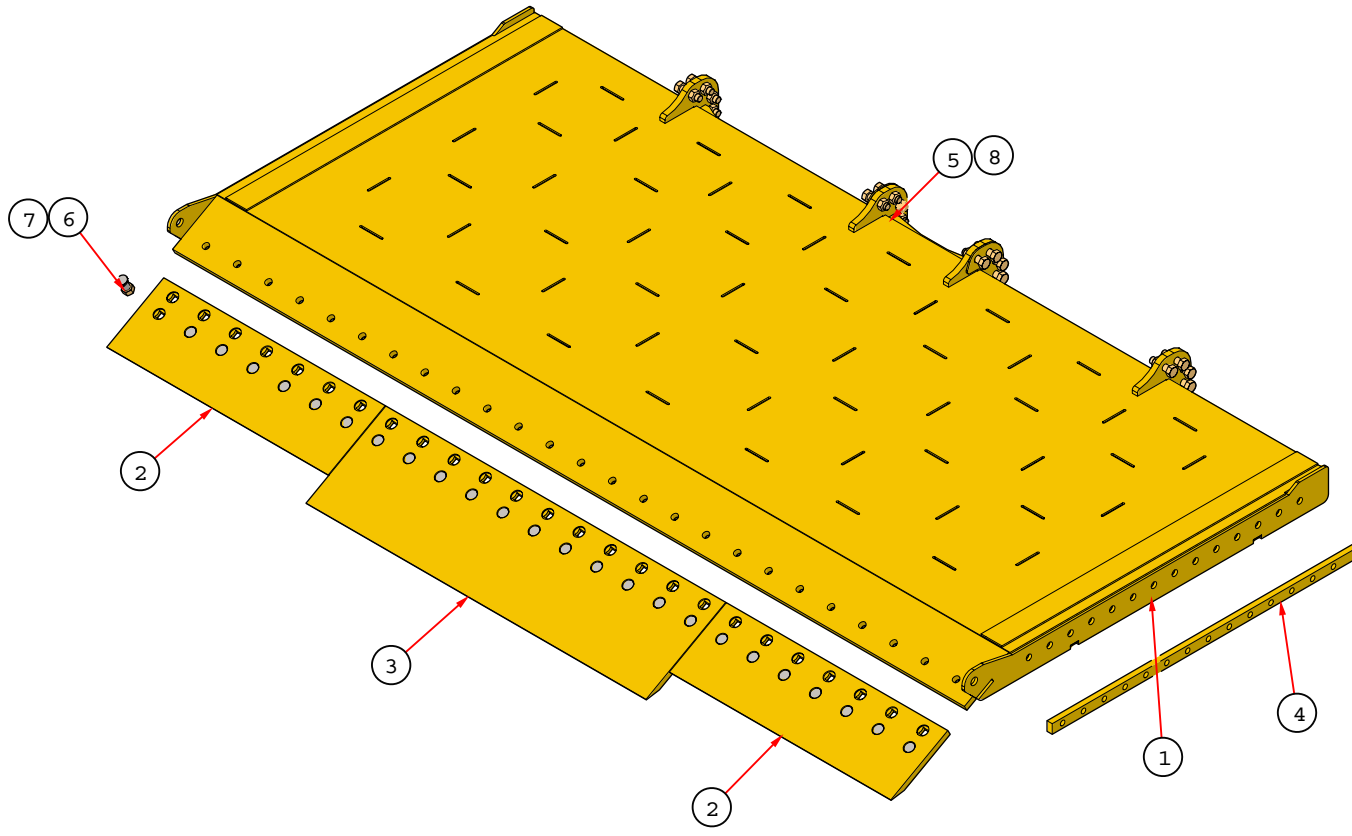


ITEM	QTY	K-TEC P.N.	ASHLAND P.N.	DESCRIPTION
1	1	311001262_w_F		FLOOR
2	2	413002010	400668	OUTER BLADE
3	1	413002009	400597	CENTER BLADE
4	2	211000209_sm_F	504308	FLOOR NUT
5	41	BLT8C_1x3_1-2	AFB-0086	BOLT GR. 8 UNC 1" X 3-1/2"
6	21	BLT8C_1x3_PLW	PB1P-NC-100-0275	BOLT GR. 8 UNC 1" X 3" PLOW
7	21	NUT8C_1	AFN-00012	NUT GR. 8 UNC 1"
8	20	NUT8C_1_STL	AFN-00037	STOVER NUT: 1" UNC

SECTION 1.07

STRUCTURAL

3013 FLOOR
(311001260_S_F)

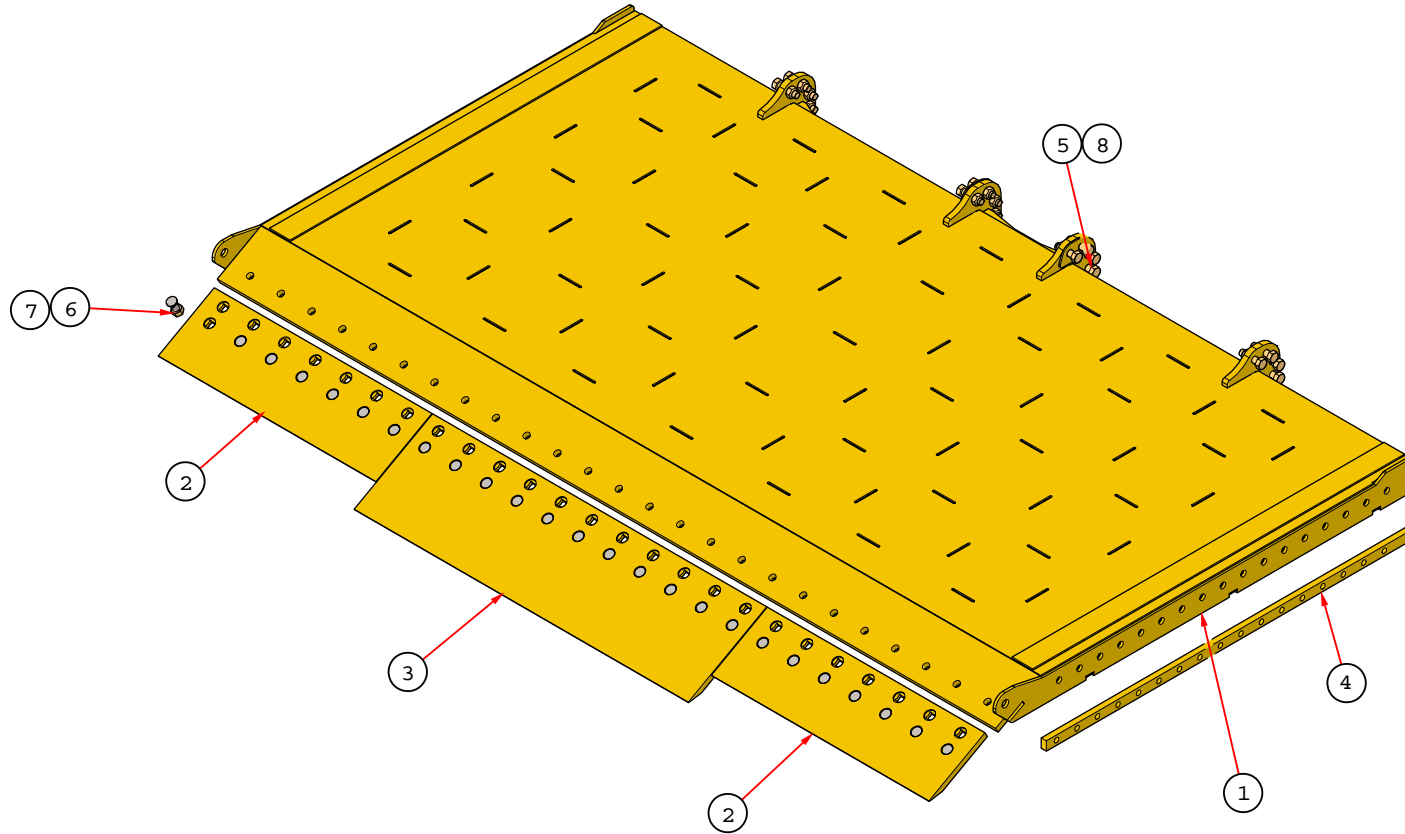


ITEM	QTY	K-TEC P.N.	ASHLAND P.N.	DESCRIPTION
1	1	311001260_w_F		FLOOR
2	2	413002014	400598	OUTER BLADE
3	1	413002009	400597	CENTER BLADE
4	2	211000209_sm_F	504308	FLOOR NUT
5	20	BLT8C_1x3_1-2	AFB-0086	BOLT GR. 8 UNC 1" X 3-1/2"
6	25	BLT8C_1x3_PLW	PB1P-NC-100-0275	BOLT GR. 8 UNC 1" X 3" PLOW
7	25	NUT8C_1	AFN-00012	NUT GR. 8 UNC 1"
8	20	NUT8C_1_STL	AFN-00037	STOVER NUT: 1" UNC

SECTION 1.07

STRUCTURAL

3413 FLOOR
(311001263_S_F)

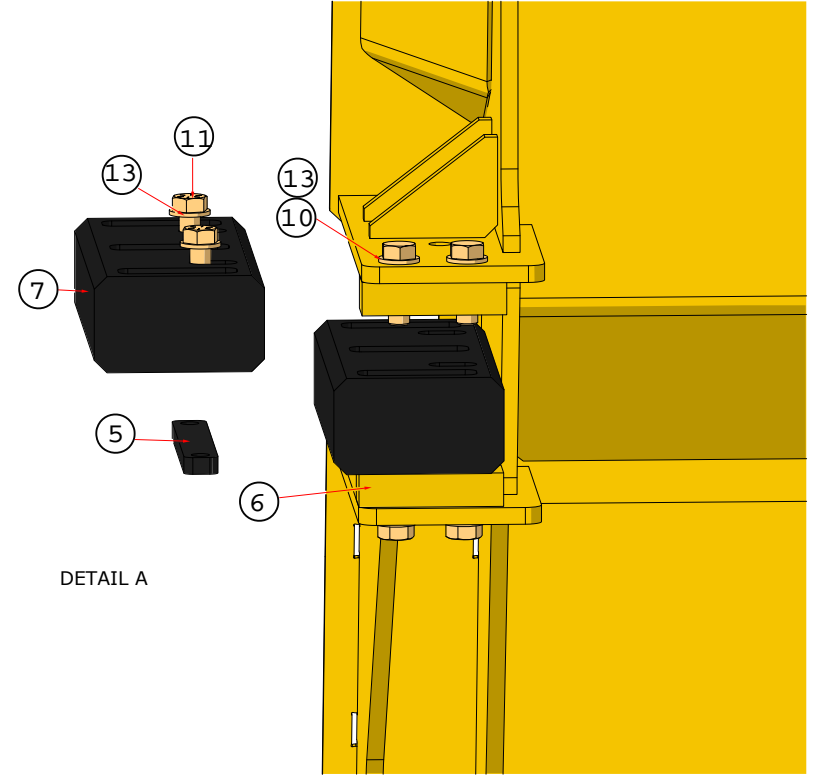
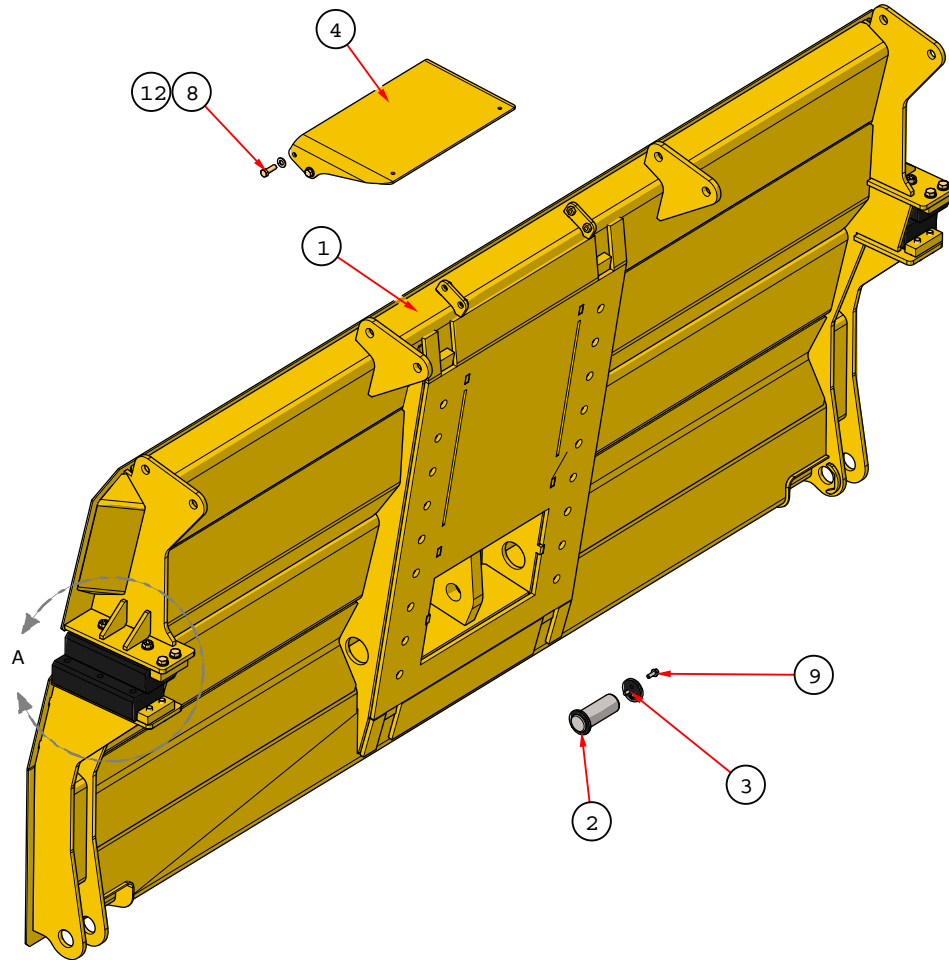


ITEM	QTY	K-TEC P.N.	ASHLAND P.N.	DESCRIPTION
1	1	311001263_w_F		FLOOR
2	2	413002014	400598	OUTER BLADE
3	1	413002009	400597	CENTER BLADE
4	2	211000209_sm_F	504308	FLOOR NUT
5	20	BLT8C_1x3_1-2	AFB-0086	BOLT GR. 8 UNC 1" X 3-1/2"
6	25	BLT8C_1x3_PLW	PB1P-NC-100-0275	BOLT GR. 8 UNC 1" X 3" PLOW
7	25	NUT8C_1	AFN-00012	NUT GR. 8 UNC 1"
8	20	NUT8C_1_STL	AFN-00037	STOVER NUT: 1" UNC

SECTION 1.08

STRUCTURAL

2411/2811 EJECTOR FACE
(311001133_E)



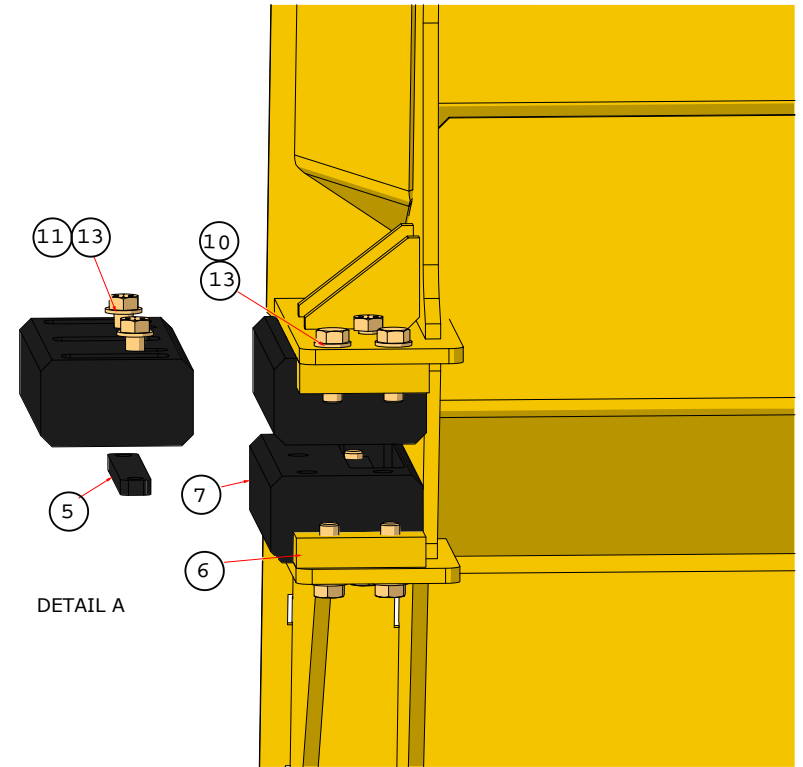
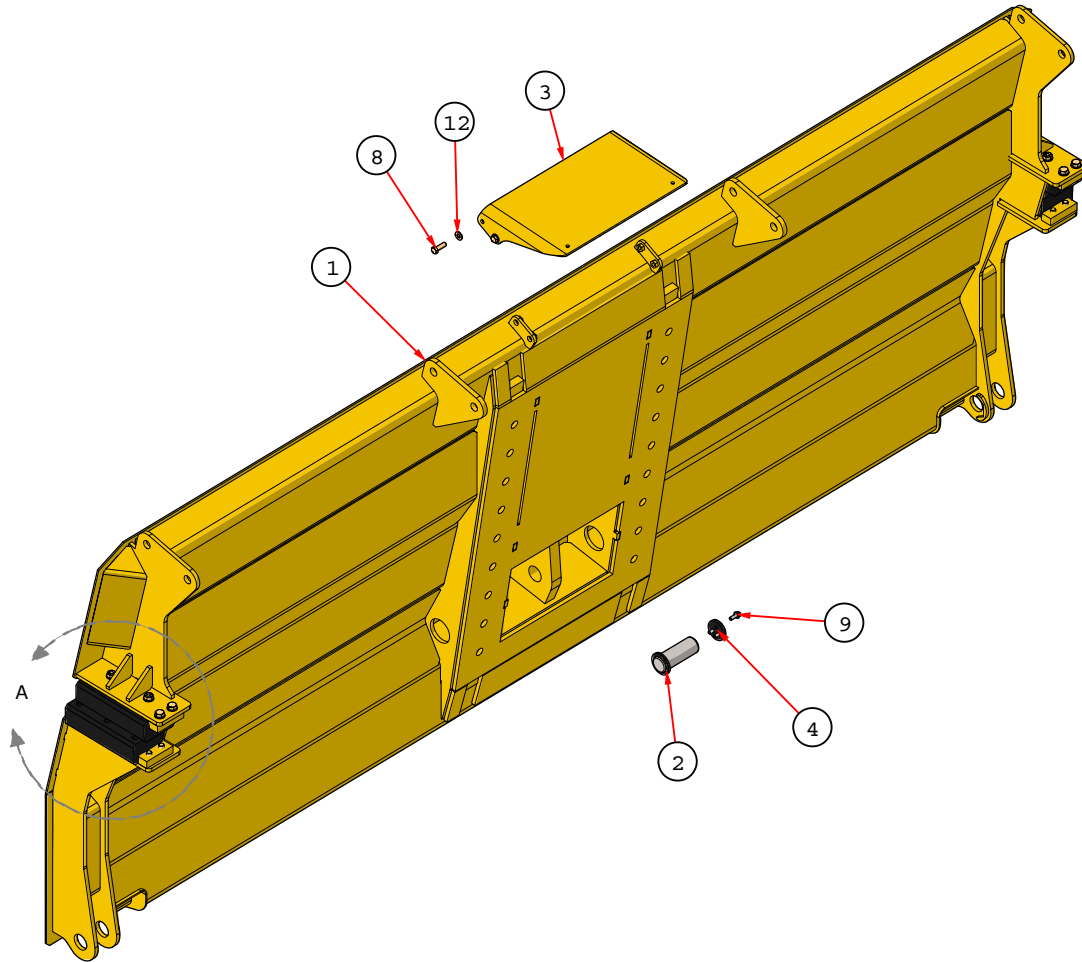
DETAIL A

ITEM	QTY	K-TEC P.N.	ASHLAND P.N.	DESCRIPTION
1	1	311001133_w_E		EJECTOR FACE
2	1	311000330_w_PIN-CG	601660	PUSH OFF ROD END PIN
3	1	111000420_c_E-CG	504703	PIN CAP, 1.00" BOLT CIRCLE
4	1	111002224_cbt_E-CY		TAIL DIRT DEFLECTOR
5	4	111002414_cm_E-CG		FRONT SLIDER CLAMP BAR
6	4	211001095_sm_E-CY		SLIDER BLOCK REAR STOP
7	4	408000032	504323	SLIDER BLOCK
8	4	BLT8C_1-2x1_1-2	AFB-00015	BOLT: GR 8. UNC 1/2" X 1-1/2"
9	3	BLT8C_3-8x1_FLG	AFB-00128	BOLT GR 5. 3/8" X 1" FLANGE
10	8	BLT8C_5-8x2	AFB-00047	BOLT GR. 8 UNC 5/8" X 2"
11	8	BLT8C_5-8x3_1-4		BOLT GR. 8 5/8" X 3-1/4"
12	4	WSH8_1-2_STR	AFW-00044	WASHER GR. 8 - 1/2" STRUCTURAL
13	16	WSH8_5-8_STR	AFW-00043	WASHER GR. 8 - 5/8" STRUCTURAL

SECTION 1.08

STRUCTURAL

3013/3413 EJECTOR FACE
(311001177_E)



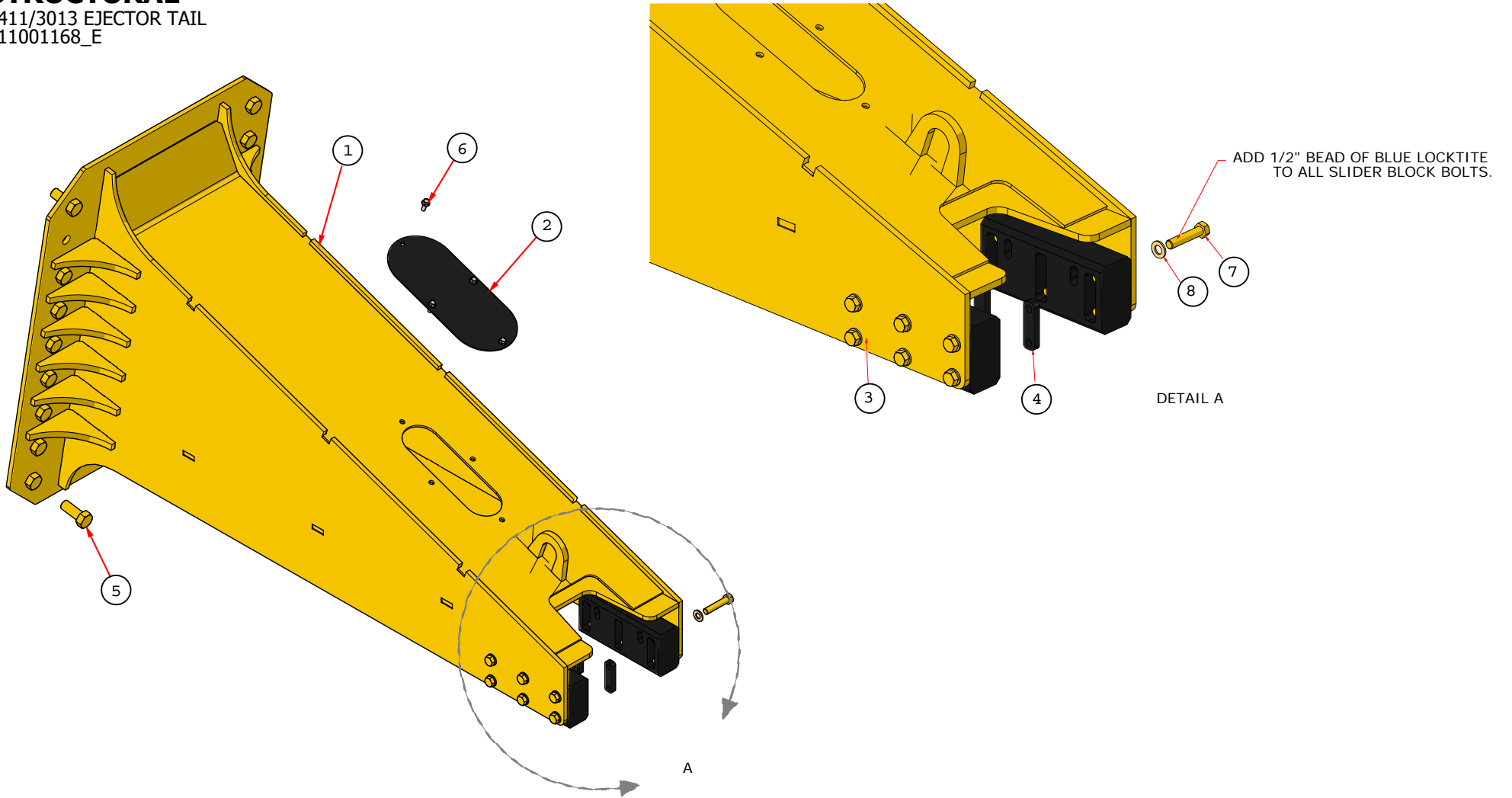
DETAIL A

ITEM	QTY	K-TEC P.N.	ASHLAND P.N.	DESCRIPTION
1	1	311001177_w_E		EJECTOR FACE
2	1	311000330_w_PIN-CG	601660	PUSH OFF ROD END PIN
3	1	111002224_cbt_E-CY		TAIL DIRT DEFLECTOR
4	1	111000420_c_E-CG	504703	PIN CAP, 1.00" BOLT CIRCLE
5	4	111002414_cm_E-CG		FRONT SLIDER CLAMP BAR
6	4	211001095_sm_E-CY		SLIDER BLOCK REAR STOP
7	4	408000032	504323	SLIDER BLOCK
8	4	BLT8C_1-2x1_1-2	AFB-00015	BOLT: GR 8. UNC 1/2" X 1-1/2"
9	3	BLT8C_3-8x1_FLG	AFB-00128	BOLT GR 5. 3/8" X 1" FLANGE
10	8	BLT8C_5-8x2	AFB-00047	BOLT GR. 8 UNC 5/8" X 2"
11	8	BLT8C_5-8x3_1-4		BOLT GR. 8 5/8" X 3-1/4"
12	4	WSH8_1-2_STR	AFW-00044	WASHER GR. 8 - 1/2" STRUCTURAL
13	16	WSH8_5-8_STR	AFW-00043	WASHER GR. 8 - 5/8" STRUCTURAL

SECTION 1.09

STRUCTURAL

2411/3013 EJECTOR TAIL
311001168_E

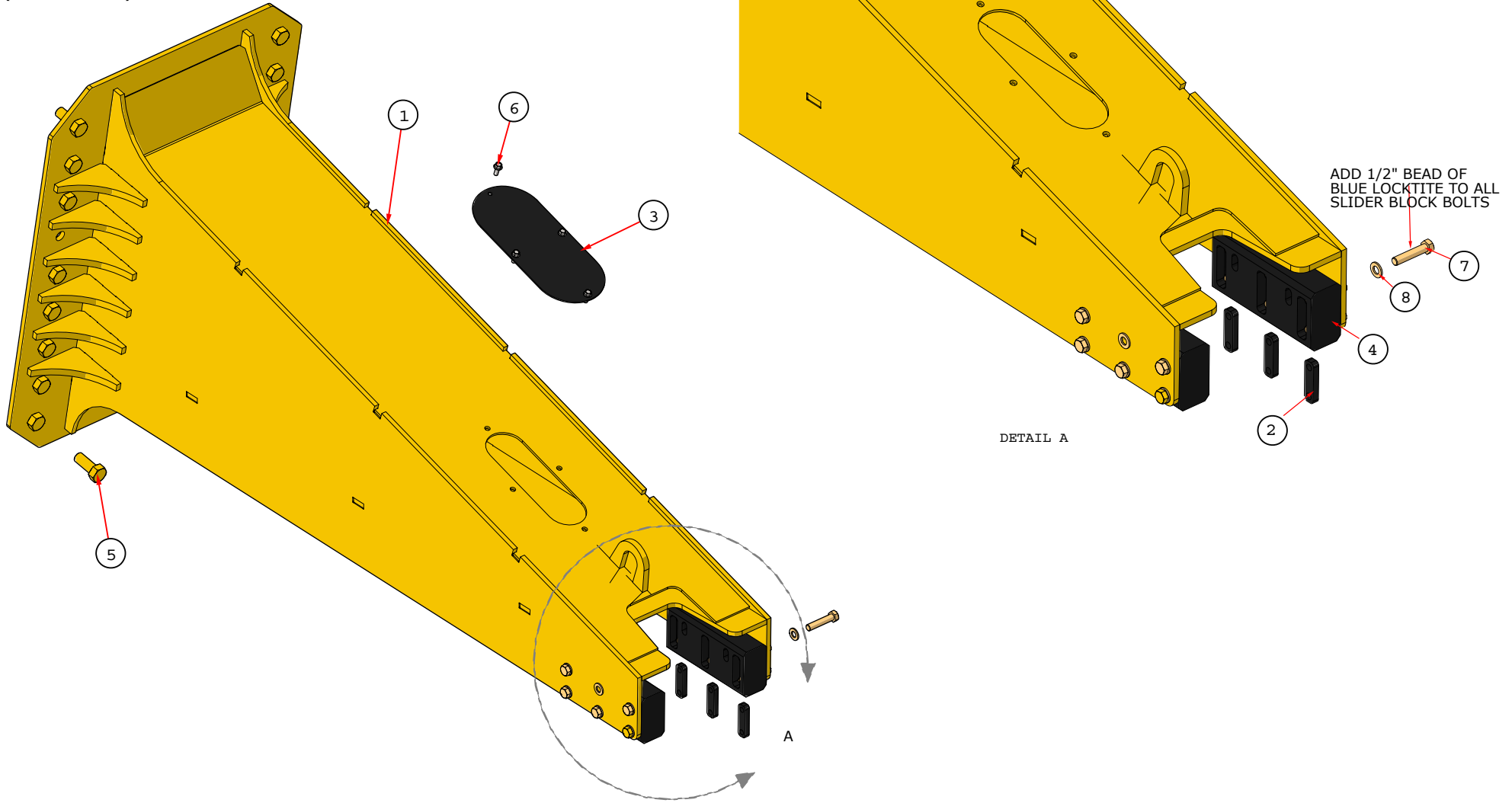


ITEM	QTY	K-TEC P.N.	ASHLAND P.N.	DESCRIPTION
1	1	311001168_w_E		EJECTOR TAIL
2	1	111000883_c_E-CG	505558	CYLINDER COVER W/ 3/8" BOLTS
3	2	408000032	504323	SLIDER BLOCK
4	6	111000709_cm_E-CG	504844	SLIDER BLOCK NUT
5	18	BLT8C_1x2_1-2	AFB-00036	BOLT GR. 8 UNC 1" X 2-1/2"
6	4	BLT8C_3-8x1_FLG	AFB-00128	BOLT GR 5. 3/8" X 1" FLANGE
7	12	BLT8C_5-8x3	AFB-00120	BOLT GR. 8 UNC 5/8" X 3"
8	12	WSH8_5-8_STR	AFW-00043	WASHER GR. 8 - 5/8" STRUCTURAL

SECTION 1.09

STRUCTURAL

2811/3413 EJECTOR TAIL
(311001168_E)

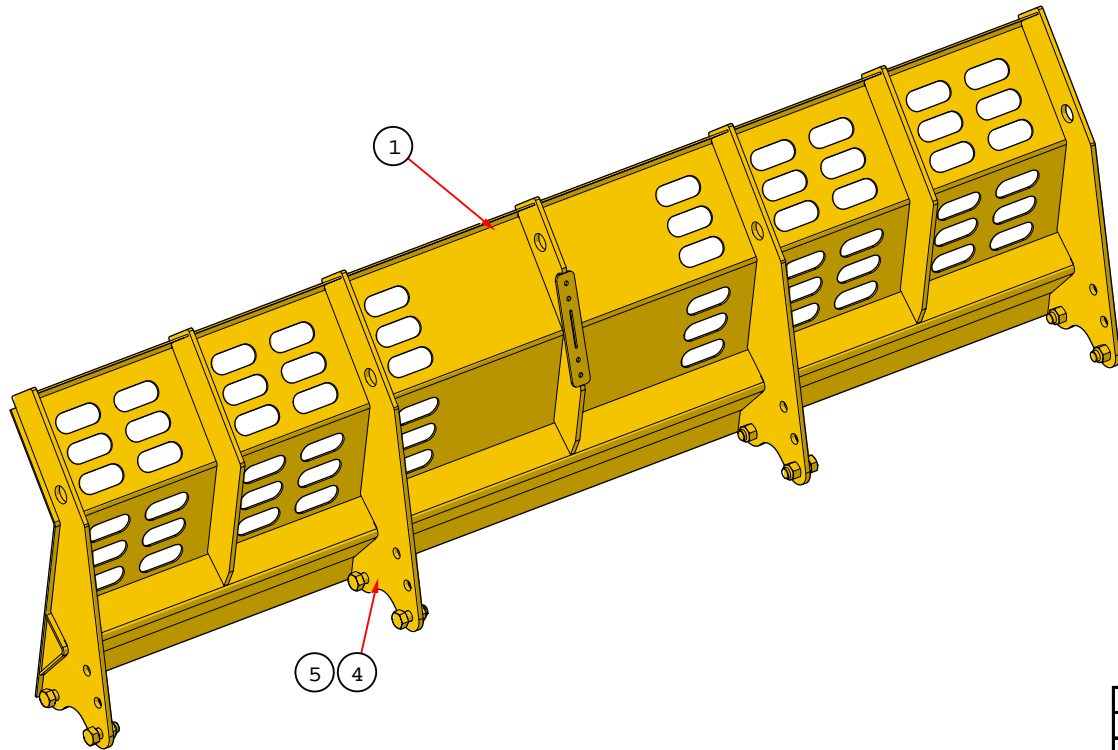
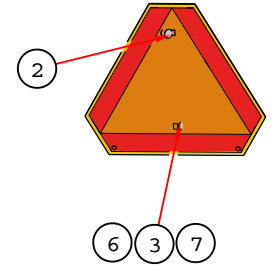
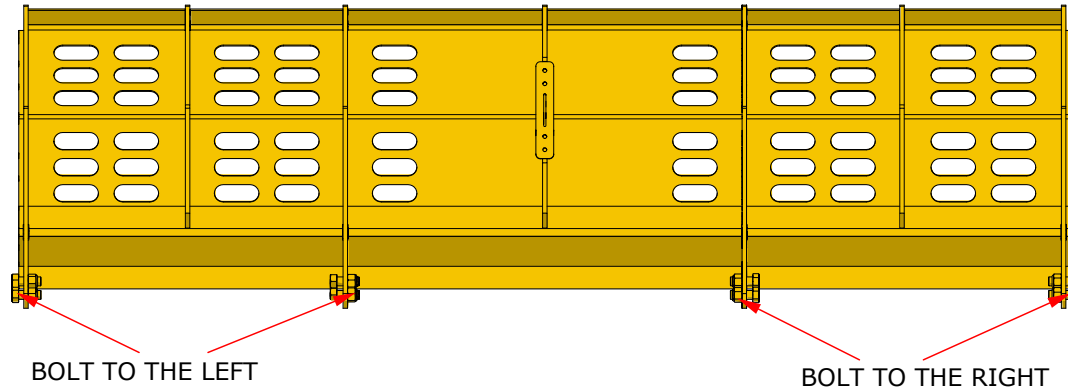


ITEM	QTY	K-TEC P.N.	ASHLAND P.N.	DESCRIPTION
1	1	311001147_w_E		EJECTOR TAIL
2	6	111000709_cm_E-CG	504844	SLIDER BLOCK NUT
3	1	111000883_c_E-CG	505558	CYLINDER COVER W/ 3/8" BOLTS
4	2	408000032	504323	SLIDER BLOCK
5	18	BLT8C_1x2_1-2	AFB-00036	BOLT GR. 8 UNC 1" X 2-1/2"
6	4	BLT8C_3-8x1_FLG	AFB-00128	BOLT GR 5. 3/8" X 1" FLANGE
7	12	BLT8C_5-8x3	AFB-00120	BOLT GR. 8 UNC 5/8" X 3"
8	12	WSH8_5-8_STR	AFW-00043	WASHER GR. 8 - 5/8" STRUCTURAL

SECTION 1.10

STRUCTURAL

2411/2811 HEADACHE RACK
(311000316_E_R)

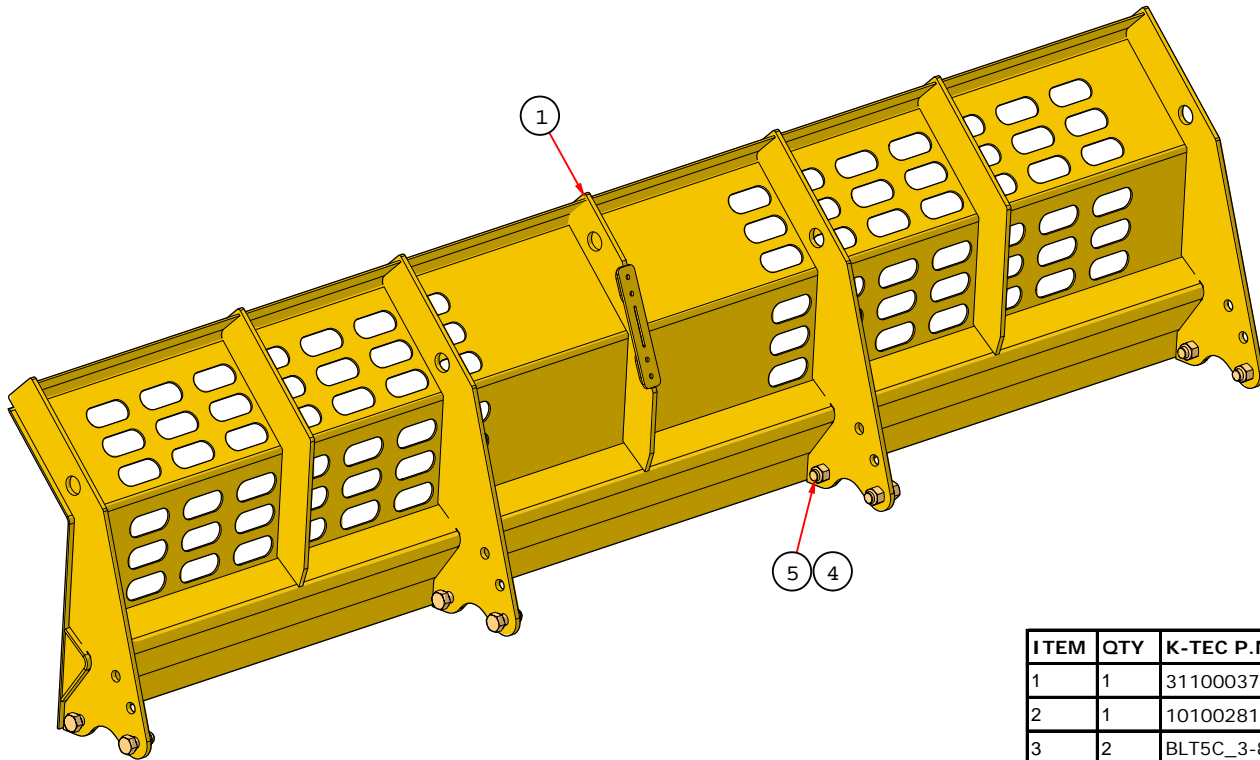
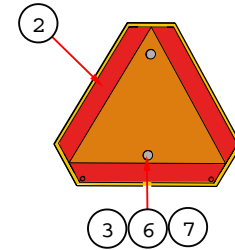
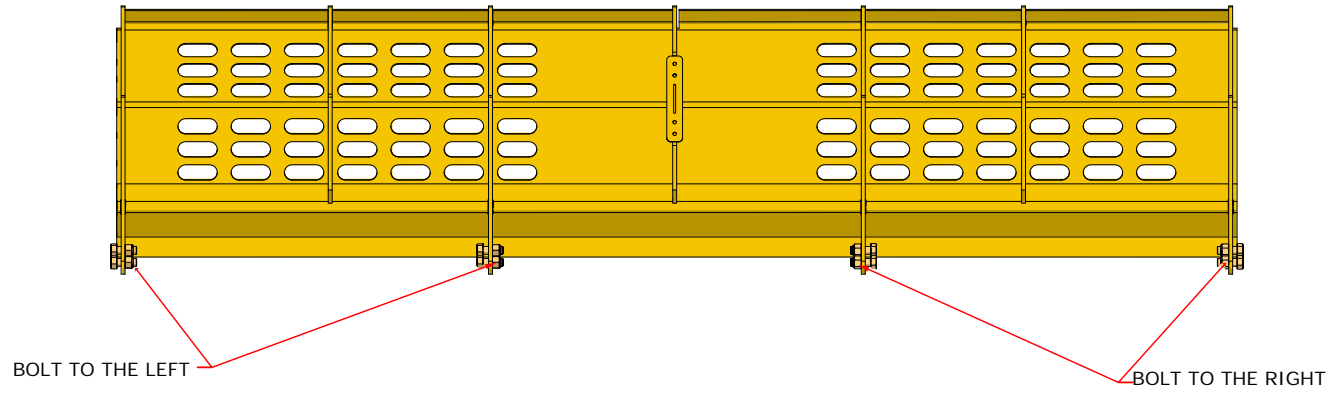


ITEM	QTY	K-TEC P.N.	ASHLAND P.N.	DESCRIPTION
1	1	311000316_w_R	601463	HEADACHE RACK
2	1	101002810_c_R-CY		SMV SIGN
3	2	BLT5C_3-8x1_CRG		CARRIAGE
4	8	BLT8C_1x2_1-2	AFB-00036	BOLT GR. 8 UNC 1" X 2-1/2"
5	8	NUT8C_1_NYL	AFN-00077	NUT GR. 8 UNC 1" NYLON LOCK
6	2	NUT8C_3-8_STL		NUT: STOVER, 3/8" UNC
7	2	WSH8_3-8_STR		WASHER GR. 8 - 3/8" STRUCTURAL

SECTION 1.10

STRUCTURAL

3013/3413 HEADACHE RACK
(311000375_E_R)

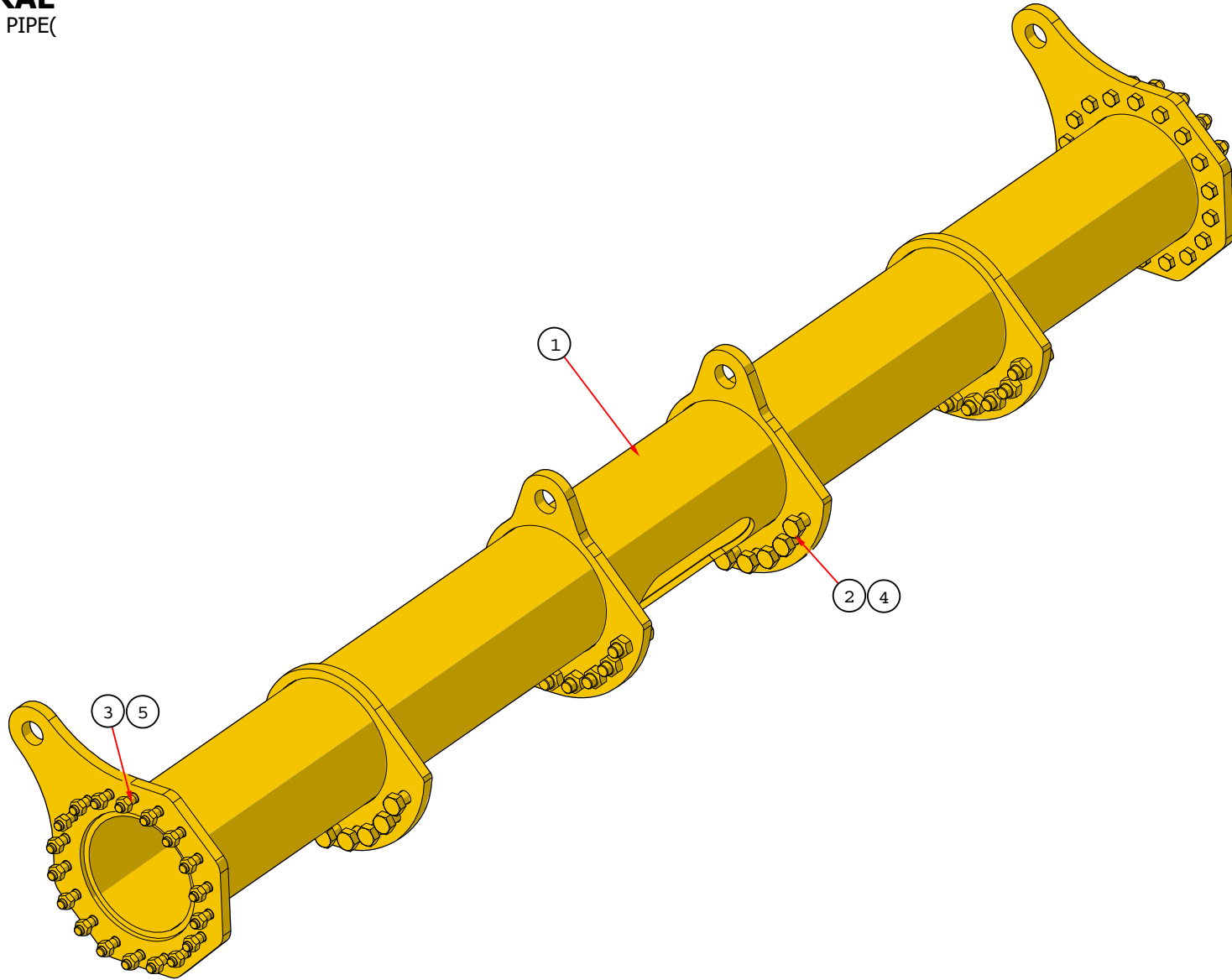


ITEM	QTY	K-TEC P.N.	ASHLAND P.N.	DESCRIPTION
1	1	311000375_w_R	601395	HEADACHE RACK
2	1	101002810_c_R-CY		SMV SIGN
3	2	BLT5C_3-8x1_CRG		BOLT GR. 5 UNC 3/8" X 1" CARRIAGE
4	8	BLT8C_1x2_1-2	AFB-00036	BOLT GR. 8 UNC 1" X 2-1/2"
5	8	NUT8C_1_NYL	AFN-00077	NUT GR. 8 UNC 1" NYLON LOCK
6	2	NUT8C_3-8_STL		NUT: STOVER, 3/8" UNC
7	2	WSH8_3-8_STR		WASHER GR. 8 - 3/8" STRUCTURAL

SECTION 1.11

STRUCTURAL

2411/2811 REAR PIPE(
311001135_S)

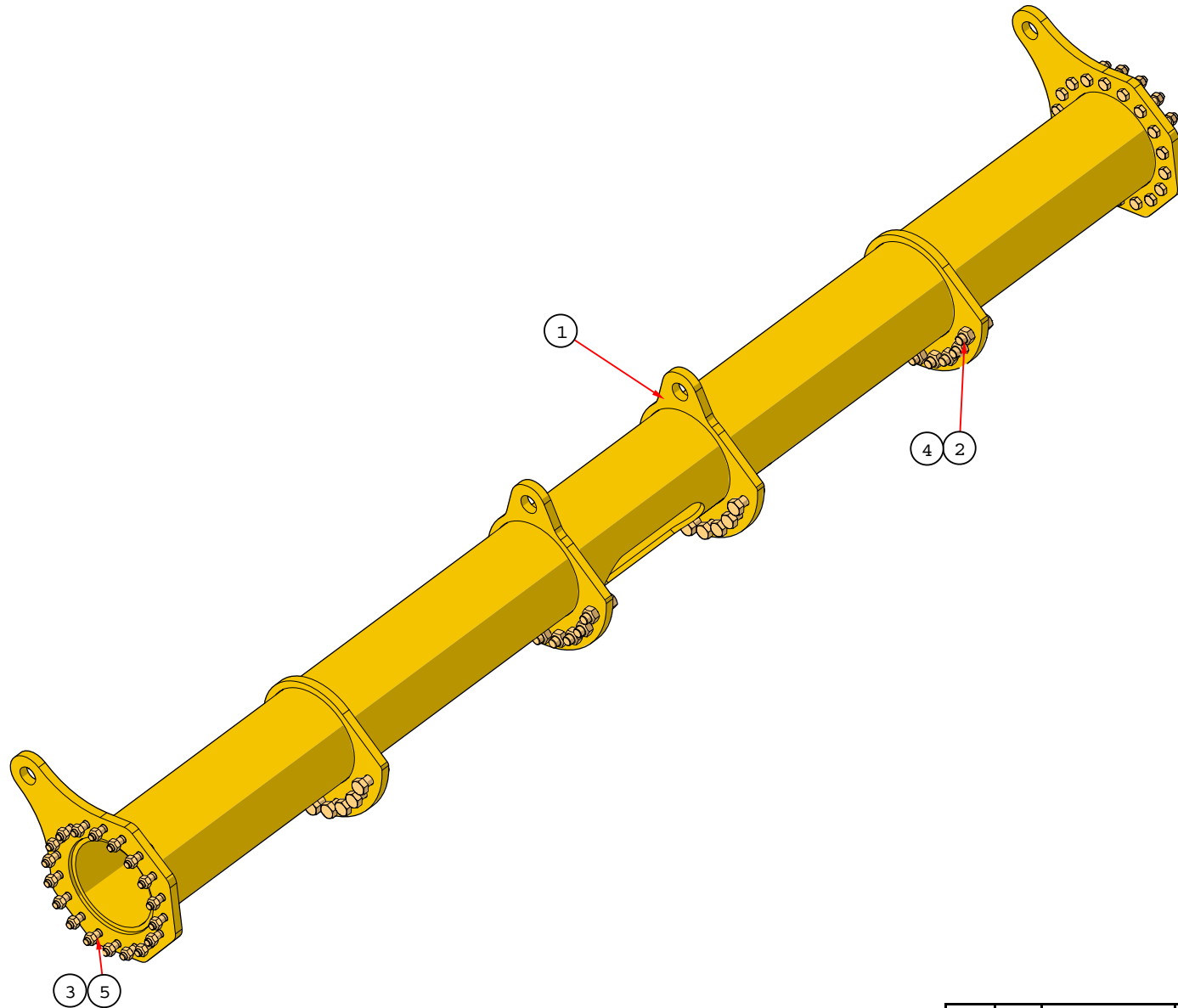


ITEM	QTY	K-TEC P.N.	ASHLAND P.N.	DESCRIPTION
1	1	311001135_w_S		REAR PIPE
2	24	BLT8C_1x3_1-2	AFB-00086	1/2"
3	36	BLT8C_3-4x3	AFB-00064	BOLT GR. 8 UNC 3/4" X 3"
4	24	NUT8C_1_STL	AFN-00037	STOVER NUT: 1" UNC
5	36	NUT8C_3-4_STL	AFN-00062	STOVER NUT: 3/4" UNC

SECTION 1.11

STRUCTURAL

3013/3413 REAR PIPE
(311000374_S)

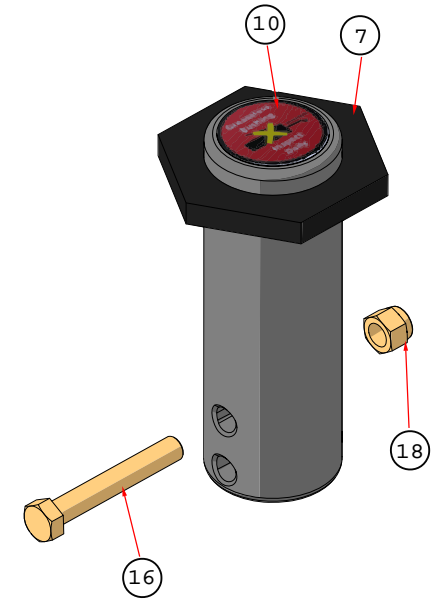
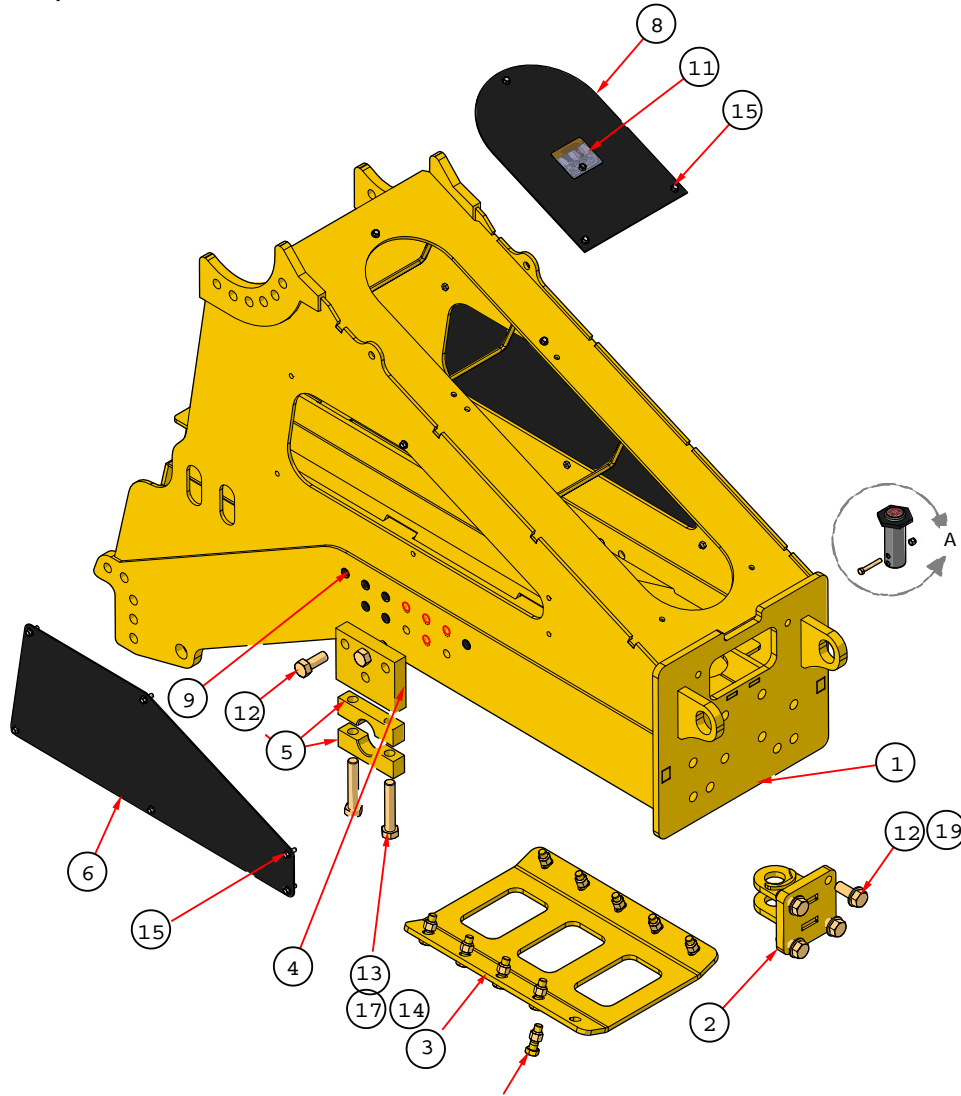


ITEM	QTY	K-TEC P.N.	ASHLAND P.N.	DESCRIPTION
1	1	31100374_w_S		REAR PIPE
2	24	BLT8C_1x3_1-2	AFB-00086	BOLT GR. 8 UNC 1" X 3-1/2"
3	36	BLT8C_3-4x3	AFB-00064	BOLT GR. 8 UNC 3/4" X 3"
4	24	NUT8C_1_STL	AFN-00037	STOVER NUT: 1" UNC
5	36	NUT8C_3-4_STL	AFN-00062	STOVER NUT: 3/4" UNC

SECTION 1.12

STRUCTURAL

2411/3013 TAIL
(311001146_S_T)



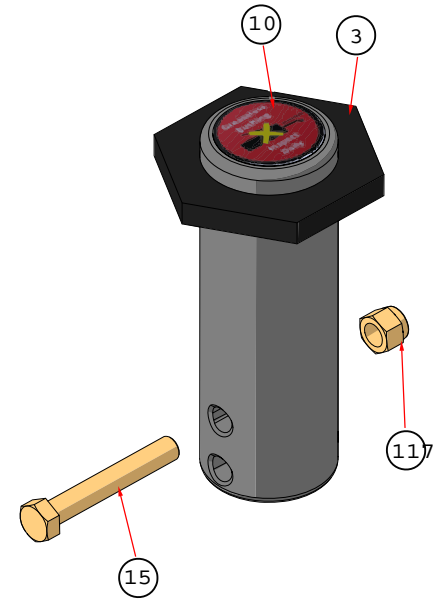
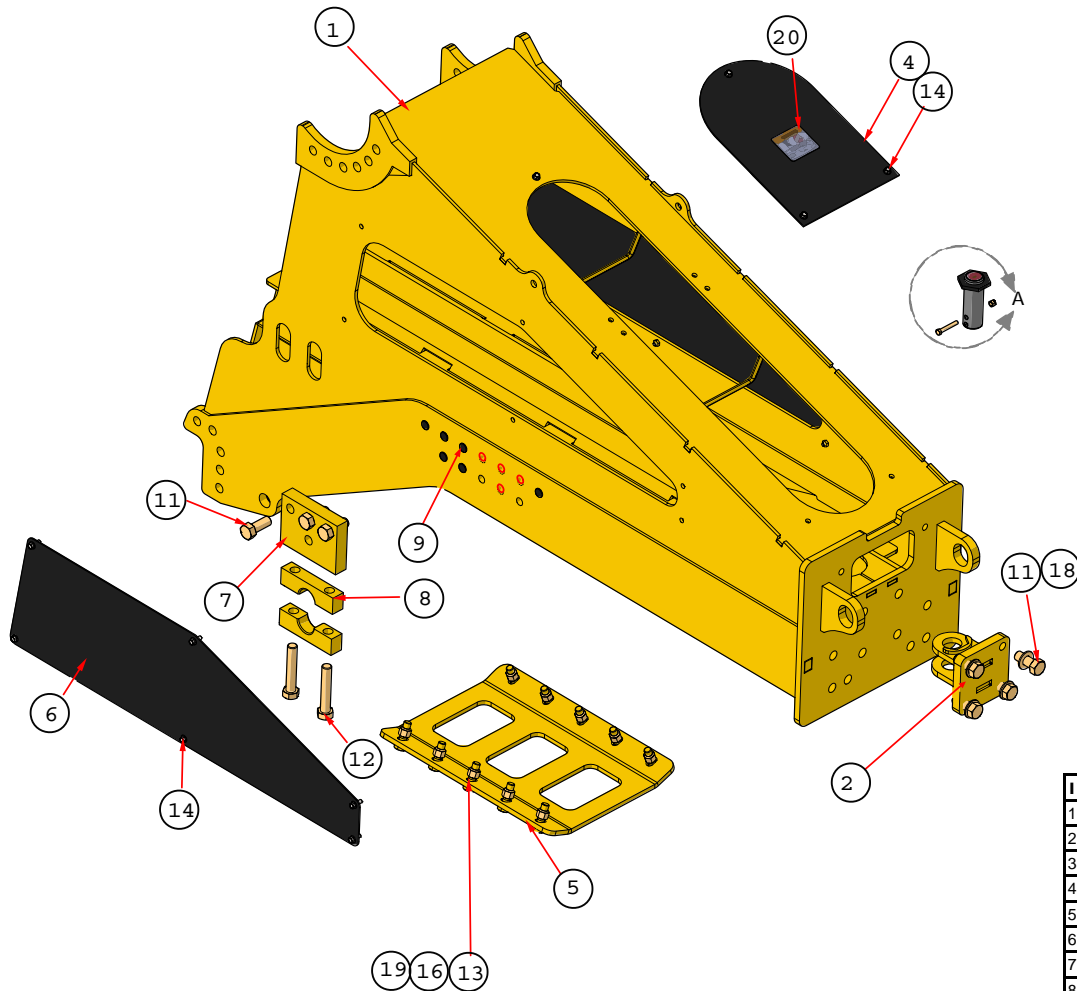
DETAIL A

ITEM	QTY	K-TEC P.N.	ASHLAND P.N.	DESCRIPTION
1	1	311001146_w_T		TAIL
2	1	311001134_w_A-CY		EJECTOR CYLINDER EARS
3	1	111002364_cb_T-CY		FORMED AXLE BRIDGE
4	1	211000172_sm_W-CY	504541	AXLE BLOCK
5	3	211000174_sm_W-CY	504035	AXLE CLAMP BLOCK
6	2	111002215_c_T-CG		SIDE GUARD
7	1	311001007_w_PIN-CG	601844	MULTI USE PIN
8	1	111001059_c_T-CG	505557	UPPER TAIL GUARD W/ 3/8" BOLTS
9	12	410300003	400733	POLYETHYLENE PLUG, 0.84-0.95" HOLE
10	1	411000278	ADS - 00083	DECAL - GREASELESS POINT ROUND
11	1	411000353	ADS-00046	DECAL WARNING - NOT FOR LIFTING
12	7	BLT8C_1x3	AFB-00018	BOLT GR. 8 UNC 1" X 3"
13	2	BLT8C_1x5_1-2	AFB-00021	BOLT GR. 8 UNC 1" X 5-1/2"
14	10	BLT8C_3-4x2_1-2	AFB-00005	BOLT GR. 8 UNC 3/4" X 2-1/2"
15	15	BLT8C_3-8x1_FLG	AFB-00128	BOLT GR 5. 3/8" X 1" FLANGE
16	1	BLT8C_3-8x2_1-2	AFB-00030	BOLT GR. 8 UNC 3/8" X 2-1/2"
17	10	NUT8C_3-4_NYL	AFN-00046	NUT: GR 8.3/4" NYLOCK
18	1	NUT8C_3-8_NYL	AFN-00044	NUT GR. 8 NYLON LOCK 3/8" UNC
19	4	WSH8_1_STR	AFW-00011	1" STRUCTURAL WASHER
20	10	WSH8_3-4_STR	AFW-00042	WASHER GR. 8 - 3/4" STRUCTURAL

SECTION 1.12

STRUCTURAL

2811/3413 TAIL
(311001139_S_T)



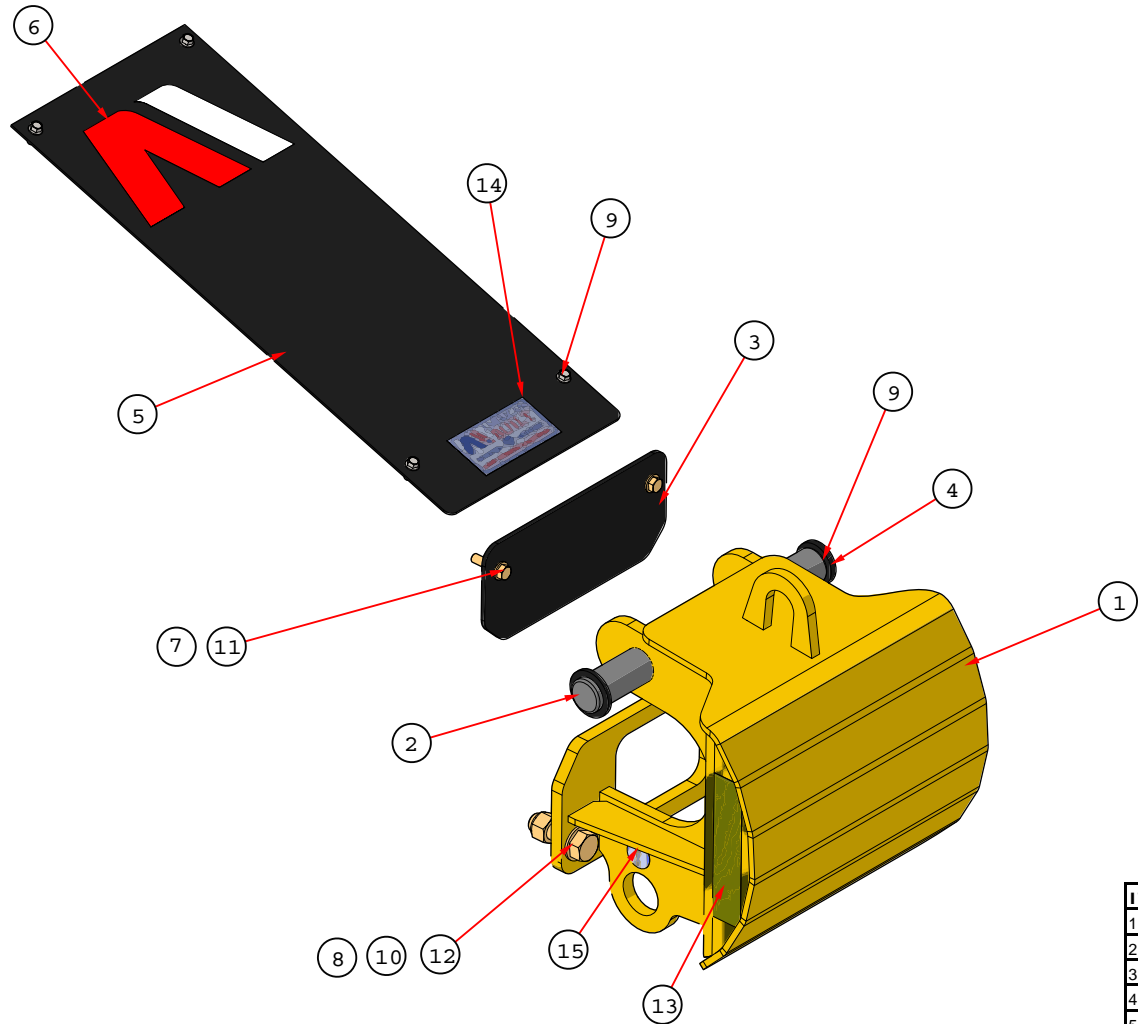
DETAIL A

ITEM	QTY	K-TEC P.N.	ASHLAND P.N.	DESCRIPTION
1	1	311001139_w_T		TAIL
2	1	311001134_w_A-CY		EJECTOR CYLINDER EARS
3	1	311001007_w_PIN-CG	601844	MULTI USE PIN
4	1	111001059_c_T-CG	505557	UPPER TAIL GUARD W/ 3/8" BOLTS
5	1	111002364_cb_T-CY		FORMED AXLE BRIDGE
6	2	111002402_c_T-CG		SIDE GUARD
7	2	211000172_sm_W-CY	504541	AXLE BLOCK
8	3	211000174_sm_W-CY	504035	AXLE CLAMP BLOCK
9	12	410300003	400733	POLYETHYLENE PLUG, 0.84-0.95" HOLE
10	1	411000278	ADS - 00083	DECAL - GREASELESS POINT ROUND
11	8	BLT8C_1x3	AFB-00018	BOLT GR. 8 UNC 1" X 3"
12	3	BLT8C_1x5_1-2	AFB-00021	BOLT GR. 8 UNC 1" x 5-1/2"
13	10	BLT8C_3-4x2_1-2	AFB-00005	BOLT GR. 8 UNC 3/4" X 2-1/2"
14	14	BLT8C_3-8x1_FLG	AFB-00128	BOLT GR 5. 3/8" X 1" FLANGE
15	1	BLT8C_3-8x2_1-2	AFB-00030	BOLT GR. 8 UNC 3/8" X 2-1/2"
16	10	NUT8C_3-4_NYL	AFN-00046	NUT: GR 8.3/4" NYLOCK
17	1	NUT8C_3-8_NYL	AFN-00044	NUT GR. 8 NYLON LOCK 3/8" UNC
18	4	WSH8_1_STR	AFW-00011	1" STRUCTURAL WASHER
19	10	WSH8_3-4_STR	AFW-00042	WASHER GR. 8 - 3/4" STRUCTURAL
20	1	411000353	ADS-00046	DECAL WARNING - NOT FOR LIFTING

SECTION 1.13

STRUCTURAL

2411-3413 PUSH BUMPER
(311100041)

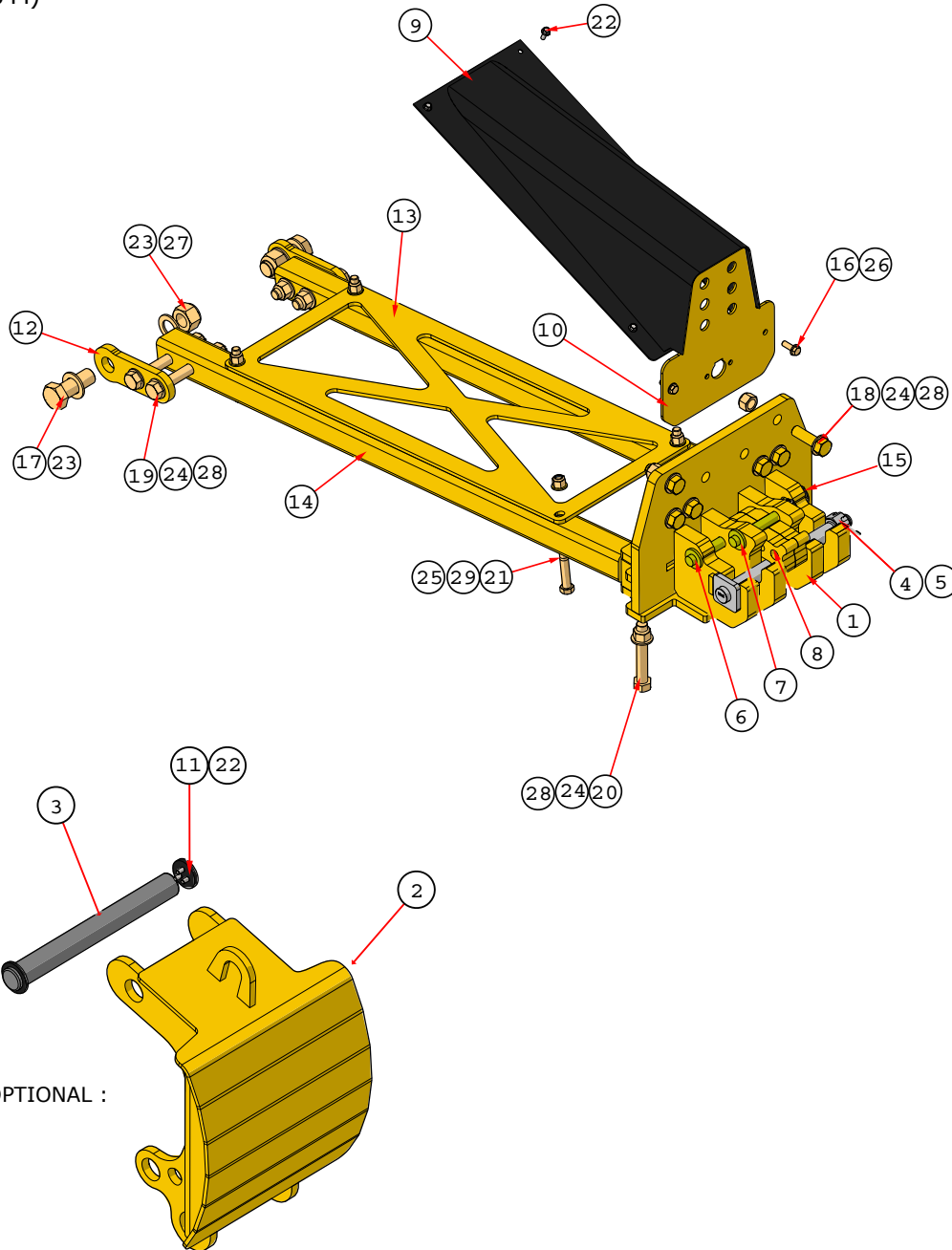


ITEM	QTY	K-TEC P.N.	ASHLAND P.N.	DESCRIPTION
1	1	311001061_c_D-CY		BUMPER
2	1	311001008_w_PIN-CG	601782	BUMPER LOCKING PIN
3	1	111000271_c_T-CG		REAR TAIL COVER
4	1	111000420_c_E-CG	504703	PIN CAP, 1.00" BOLT CIRCLE
5	1	111002026_c_T-CG	505708	REAR UNIT TAIL GUARD
6	1	411000374		DECAL: "AI" LOGO LARGE 7X11.42
7	2	BLT8C_1-2x2	AFB-00144	BOLT GR. 8 UNC 1/2" X 2"
8	2	BLT8C_1x3_1-4	AFB-00211	BOLT GR. 8 UNC 1" X 3-1/4"
9	5	BLT8C_3-8x1_FLG	AFB-00128	BOLT GR 5. 3/8" X 1" FLANGE
10	2	NUT8C_1_NYL	AFN-00077	NUT GR. 8 UNC 1" NYLON LOCK
11	2	WSH8_1-2_STR	AFW-00044	WASHER GR. 8 - 1/2" STRUCTURAL
12	2	WSH8_1_STR	AFW-00011	1" STRUCTURAL WASHER
13	2	411000004		DECAL - REFLECTIVE TAPE, YELLOW
14	1	411000277	ADS-00069	DECAL AMERICAN BUILT
15	2	411000281	ADS - 00091	DECAL - LIFT POINT ROUND

SECTION 1.13

STRUCTURAL

2411 REAR HITCH
(311100044)

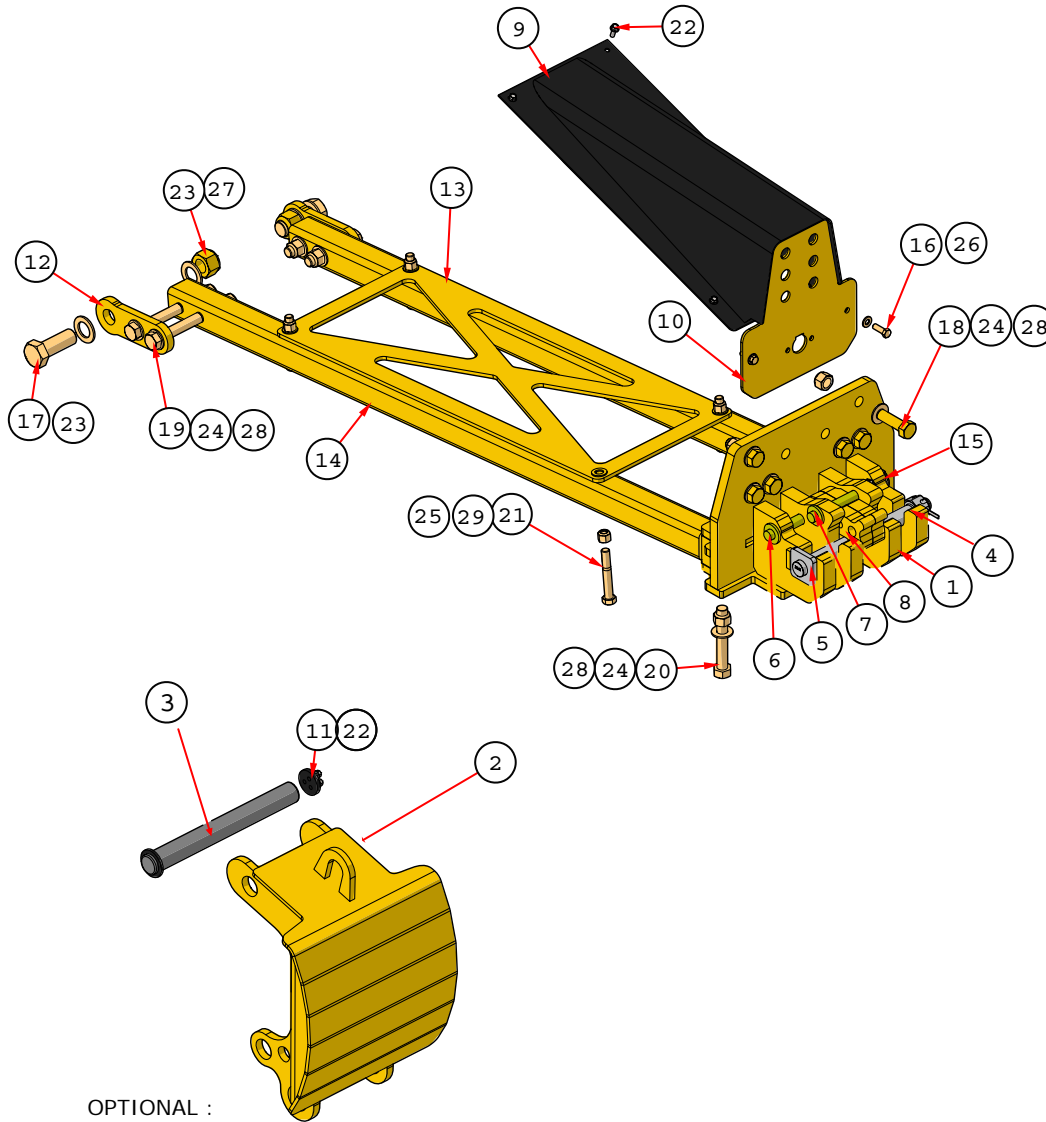


ITEM	QTY	K-TEC P.N.	ASHLAND P.N.	DESCRIPTION
1	1	311001142_w_D-CY		ASHLAND REAR HITCH
2	1	311000392_w_D-CY	601781	PIN IN REAR BUMPER
3	1	311001008_w_PIN-CG	601782	BUMPER LOCKING PIN
4	1	311000171_w_PIN-CZ	123299-08	PIN,HITCH 4-Ear
5	1	405000002	AFP-00001	PIN: COTTER, 1/4" x 3" LG
6	1	305000085_w_PIN-CY	600452	PIN, QUICK HITCH
7	1	311000173_w_PIN-CG	600480	PIN, SHORT, QUICK HITCH
8	1	311000426_wg_D-CY	600363	CENTER LUG, QUICK HITCH
9	1	311001062_w_T-CG		REAR BULKHEAD HOOD
10	1	311001063_w_T-CY		REAR BULKHEAD
11	1	111000420_c_E-CG	504703	PIN CAP, 1.00" BOLT CIRCLE
12	2	111002323_c_T		FRONT EAR
13	1	111002369_c_T		HITCH BRACE TIE PLATE
14	2	311001173_w_T		HITCH BRACE
15	2	405000024		PIN LYNCH, 1/4" (1.25" USEABLE)
16	2	BLT8C_1-2x1_1-2	AFB-00015	BOLT: GR 8. UNC 1/2" X 1-1/2"
17	2	BLT8C_1_1-2x4		HHCS: 1-1/2" X 4" GR 8
18	6	BLT8C_1x3_1-4	AFB-00211	BOLT GR. 8 UNC 1" X 3-1/4"
19	4	BLT8C_1x5_1-2	AFB-00021	BOLT GR. 8 UNC 1" X 5-1/2"
20	2	BLT8C_1x6_1-2	AFB-00001	BOLT GR. 8 UNC 1" X 6-1/2"
21	4	BLT8C_3-4x5	AFB-00179	BOLT GR. 8 UNC 3/4" X 5"
22	7	BLT8C_3-8x1_FLG	AFB-00128	BOLT GR 5. 3/8" X 1" FLANGE
23	2	NUT8C_1_1-2_NYL		NUT GR. 8 UNC 1-1/2" NYLON LOCK
24	12	NUT8C_1_NYL	AFN-00077	NUT GR. 8 UNC 1" NYLON LOCK
25	4	NUT8C_3-4_NYL	AFN-00046	NUT: GR 8.3/4" NYLOCK
26	2	WSH8_1-2_STR	AFW-00044	WASHER GR. 8 - 1/2" STRUCTURAL
27	4	WSH8_1_1-2_STR		WASHER GR. 8 - 1-1/2" STRUCTURAL
28	18	WSH8_1_STR	AFW-00011	1" STRUCTURAL WASHER
29	8	WSH8_3-4_STR	AFW-00042	WASHER GR. 8 - 3/4" STRUCTURAL

SECTION 1.13

STRUCTURAL

2811 REAR HITCH
(311100045)

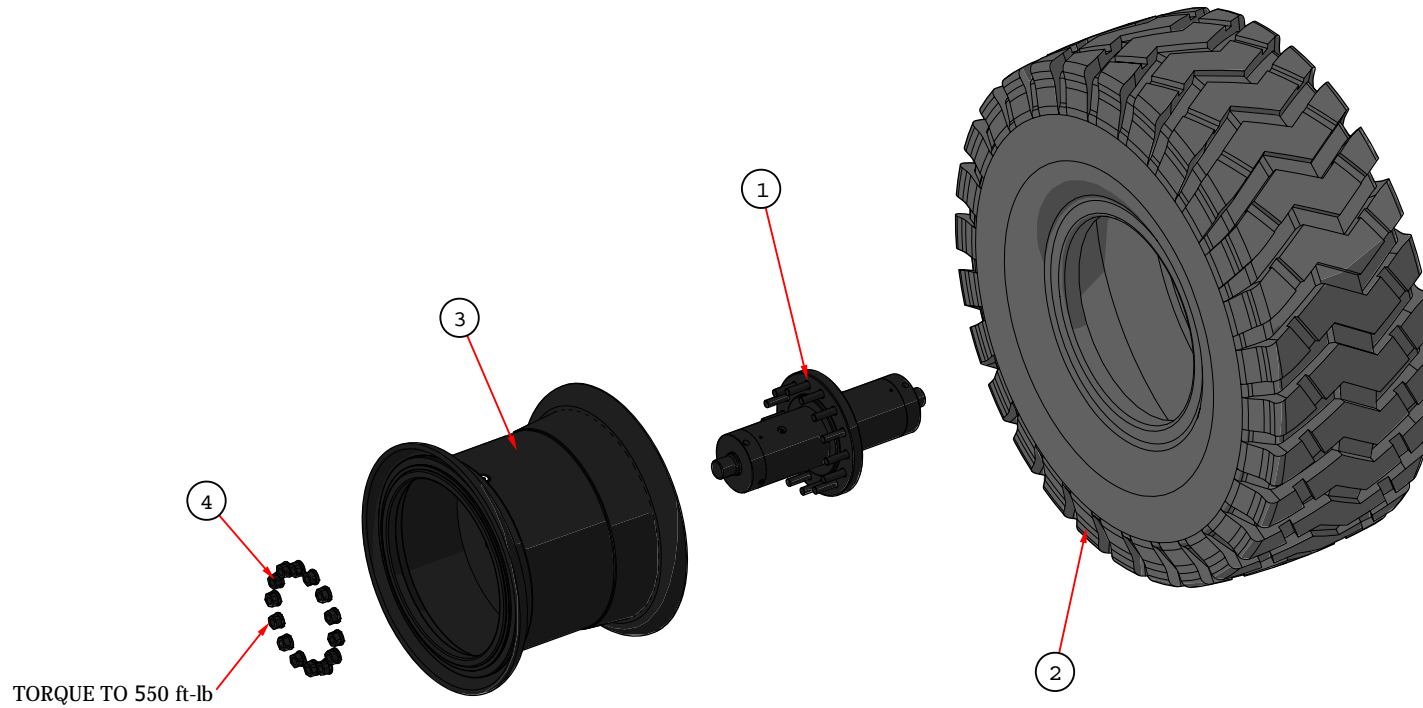


ITEM	QTY	K-TEC P.N.	ASHLAND P.N.	DESCRIPTION
1	1	311001142_w_D-CY		ASHLAND REAR HITCH
2	1	311000392_w_D-CY	601781	PIN IN REAR BUMPER
3	1	311001008_w_PIN-CG	601782	BUMPER LOCKING PIN
4	1	311000171_w_PIN-CZ	123299-08	PIN,HITCH 4-Ear
5	1	405000002	AFP-00001	PIN: COTTER, 1/4" x 3" LG
6	1	305000085_w_PIN-CY	600452	PIN, QUICK HITCH
7	1	311000173_w_PIN-CG	600480	PIN, SHORT, QUICK HITCH
8	1	311000426_wg_D-CY	600363	CENTER LUG, QUICK HITCH
9	1	311001172_w_T-CG		REAR BULKHEAD HOOD
10	1	311001063_w_T-CY		REAR BULKHEAD
11	1	111000420_c_E-CG	504703	PIN CAP, 1.00" BOLT CIRCLE
12	2	111002323_c_T		FRONT EAR
13	1	111002369_c_T		HITCH BRACE TIE PLATE
14	2	311001143_w_T		HITCH BRACE
15	2	405000024		PIN LYNCH, 1/4" (1.25" USEABLE)
16	2	BLT8C_1-2x1_1-2	AFB-00015	BOLT: GR 8. UNC 1/2" X 1-1/2"
17	2	BLT8C_1_1-2x4		HHCS: 1-1/2" X 4" GR 8
18	6	BLT8C_1x3_1-4	AFB-00211	BOLT GR. 8 UNC 1" X 3-1/4"
19	4	BLT8C_1x5_1-2	AFB-00021	BOLT GR. 8 UNC 1" X 5-1/2"
20	2	BLT8C_1x6_1-2	AFB-00001	BOLT GR. 8 UNC 1" X 6-1/2"
21	4	BLT8C_3-4x5	AFB-00179	BOLT GR. 8 UNC 3/4" X 5"
22	7	BLT8C_3-8x1_FLG	AFB-00128	BOLT GR 5. 3/8" X 1" FLANGE
23	2	NUT8C_1_1-2_NYL		NUT GR. 8 UNC 1-1/2" NYLON LOCK
24	12	NUT8C_1_NYL	AFN-00077	NUT GR. 8 UNC 1" NYLON LOCK
25	4	NUT8C_3-4_NYL	AFN-00046	NUT: GR 8.3/4" NYLOCK
26	2	WSH8_1-2_STR	AFW-00044	WASHER GR. 8 - 1/2" STRUCTURAL
27	4	WSH8_1_1-2_STR		WASHER GR. 8 - 1-1/2" STRUCTURAL
28	18	WSH8_1_STR	AFW-00011	1" STRUCTURAL WASHER
29	8	WSH8_3-4_STR	AFW-00042	WASHER GR. 8 - 3/4" STRUCTURAL



SECTION 1.14

STRUCTURAL

2411-3413 WHEEL ASSEMBLY



NOTE:
2411 & 2811 ARE ONLY COMPATIBLE WITH 23.5 R25 TIRE AND RIM PACKAGE.

									
23.5 R25, 2 STAR TIRE & RIM PACKAGE					26.5 R25, 2 STAR TIRE & RIM PACKAGE				
QTY	K-TEC P.N.	ASHLAND P.N.	REV	DESCRIPTION	QTY	PART NUMBER	COMMENTS	REV	DESCRIPTION
1	417000050	ATI-00033	0	Tire	1	417000052	ATI-00031	0	Tire
1	418000085	601452	0	Rim	1	418000092	601558	0	Rim

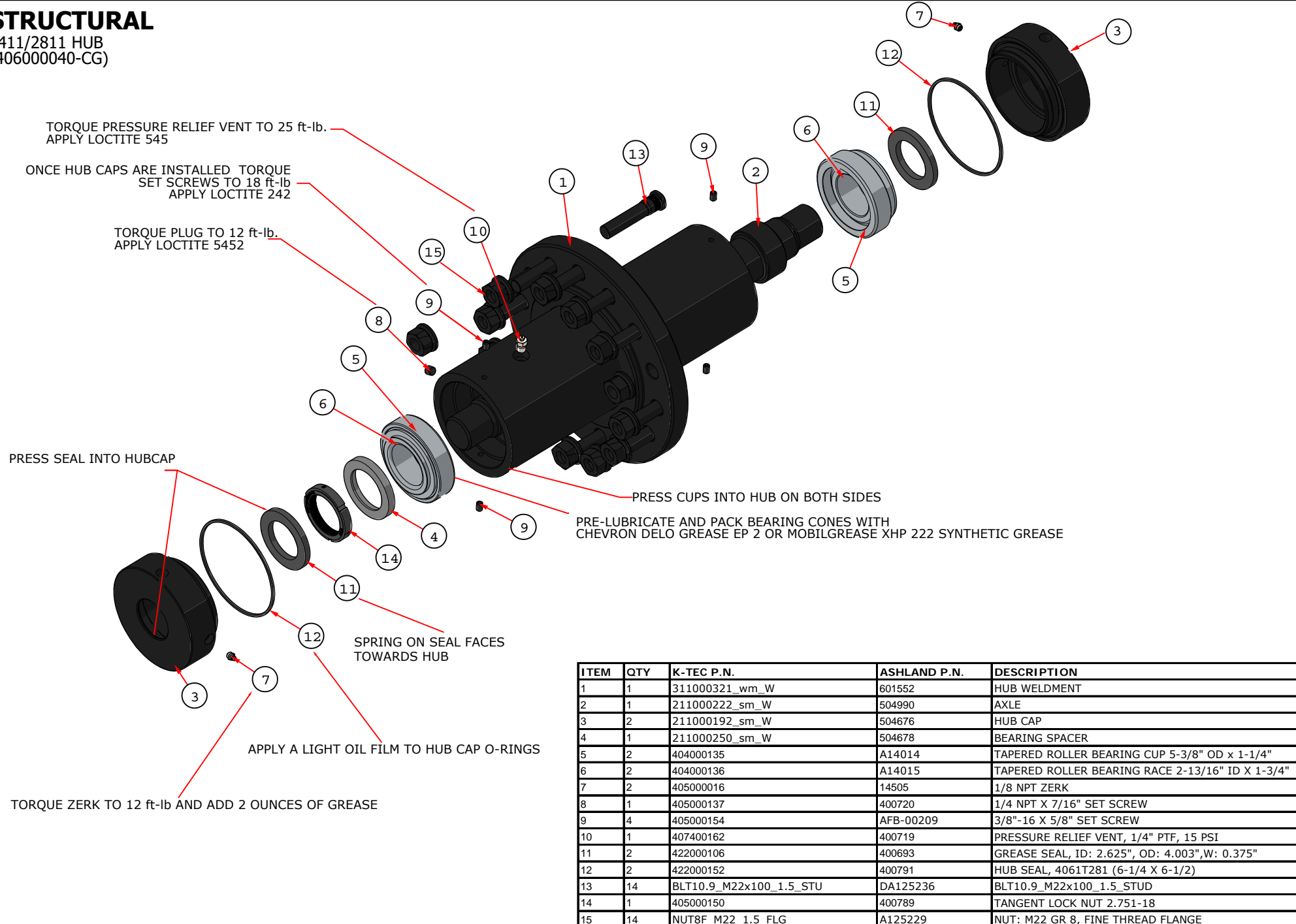
2411/2811 WHEEL ASSEMBLY COMPONENTS				
ITEM	QTY	K-TEC P.N.	ASHLAND P.N.	DESCRIPTION
1	1	406000040-CG	601553	OIL BATH HUB ASSEMBLY
4	14	NUT8F_M22_1.5_FLG	A125229	Flange Nut M22 Gr 8 TP 1.5

3013/3413 WHEEL ASSEMBLY COMPONENTS				
ITEM	QTY	K-TEC P.N.	ASHLAND P.N.	DESCRIPTION
1	1	406000042-CG	601454	OIL BATH HUB ASSEMBLY
4	14	NUT8F_M22_1.5_FLG	A125229	Flange Nut M22 Gr 8 TP 1.5

SECTION 1.14

STRUCTURAL

2411/2811 HUB
(406000040-CG)



ITEM	QTY	K-TEC P.N.	ASHLAND P.N.	DESCRIPTION
1	1	311000321_wm_W	601552	HUB WELDMENT
2	1	211000222_sm_W	504990	AXLE
3	2	211000192_sm_W	504676	HUB CAP
4	1	211000250_sm_W	504678	BEARING SPACER
5	2	404000135	A14014	TAPERED ROLLER BEARING CUP 5-3/8" OD x 1-1/4"
6	2	404000136	A14015	TAPERED ROLLER BEARING RACE 2-13/16" ID X 1-3/4"
7	2	405000016	14505	1/8 NPT ZERK
8	1	405000137	400720	1/4 NPT X 7/16" SET SCREW
9	4	405000154	AFB-00209	3/8"-16 X 5/8" SET SCREW
10	1	407400162	400719	PRESSURE RELIEF VENT, 1/4" PTFE, 15 PSI
11	2	422000106	400693	GREASE SEAL, ID: 2.625", OD: 4.003", W: 0.375"
12	2	422000152	400791	HUB SEAL, 4061T281 (6-1/4 X 6-1/2)
13	14	BLT10.9_M22x100_1.5_STU	DA125236	BLT10.9_M22x100_1.5_STUD
14	1	405000150	400789	TANGENT LOCK NUT 2.751-18
15	14	NUT8F_M22_1.5_FLG	A125229	NUT: M22 GR 8, FINE THREAD FLANGE

SECTION 1.14

STRUCTURAL

3013-3413 HUB
(406000042-CG)

TORQUE PRESSURE RELIEF VENT TO 25 ft-lb.
APPLY LOCTITE 5452.

ONCE HUB CAPS ARE INSTALLED
TORQUE SET SCREWS TO 18 ft-lb.
APPLY LOCTITE 242

TORQUE PLUG TO 12 ft-lb.
APPLY LOCTITE 5452.

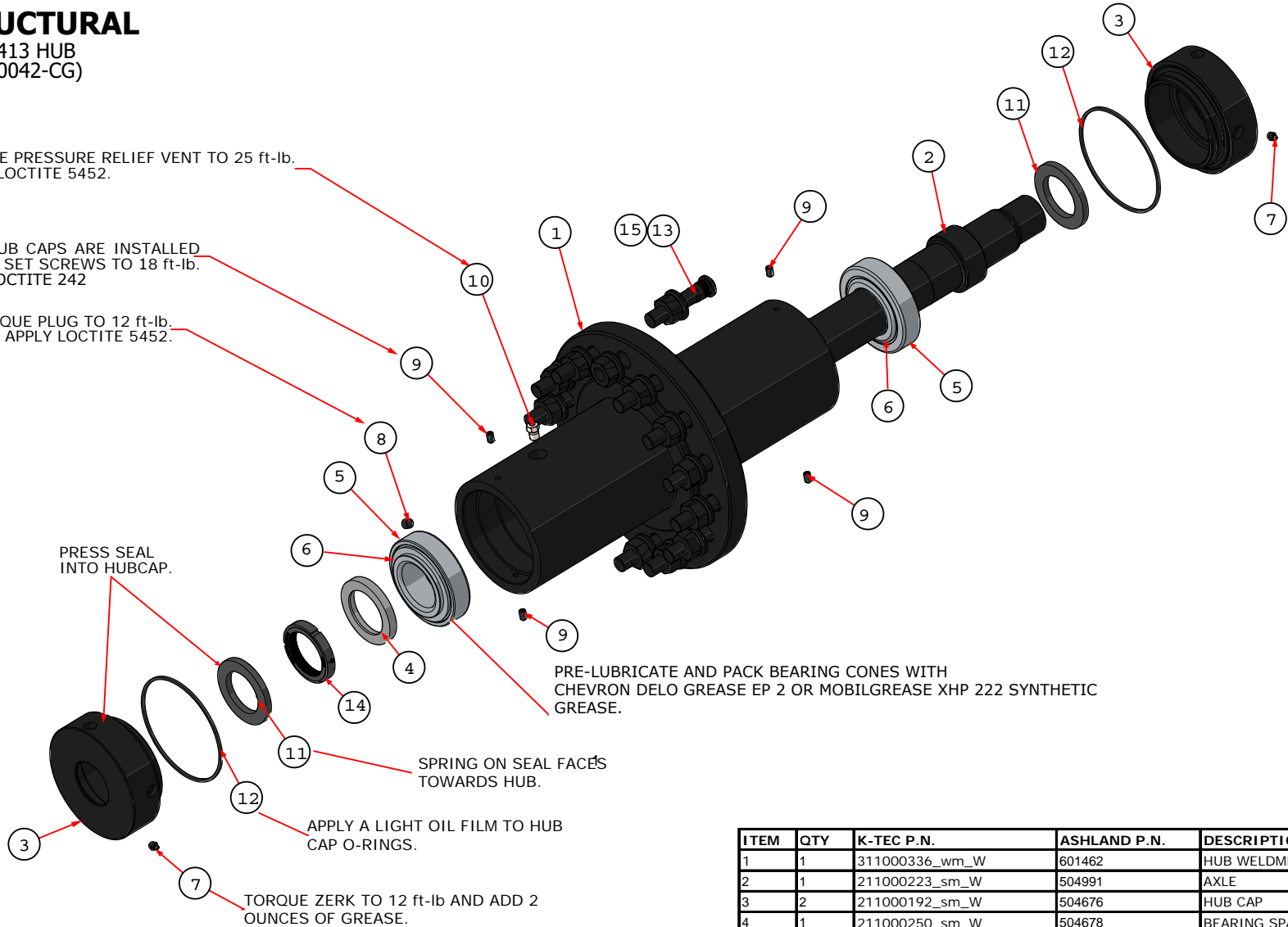
PRESS SEAL
INTO HUBCAP.

PRE-LUBRICATE AND PACK BEARING CONES WITH
CHEVRON DELO GREASE EP 2 OR MOBILGREASE XHP 222 SYNTHETIC
GREASE.

SPRING ON SEAL FACE'S
TOWARDS HUB.

APPLY A LIGHT OIL FILM TO HUB
CAP O-RINGS.

TORQUE ZERK TO 12 ft-lb AND ADD 2
OUNCES OF GREASE.

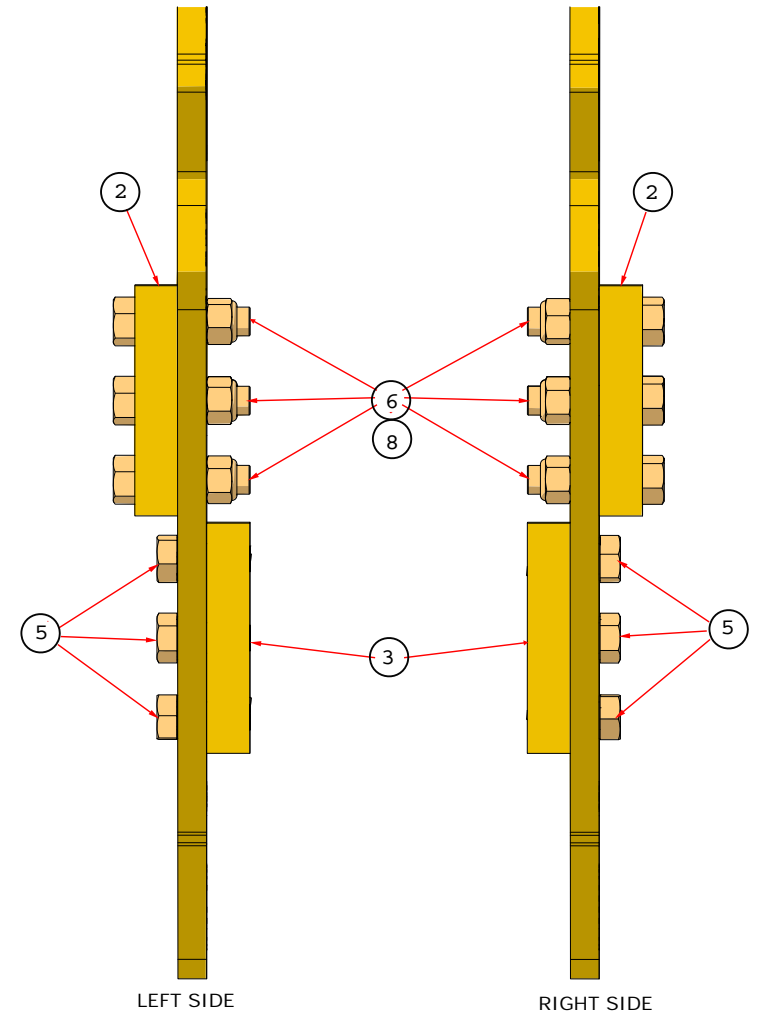
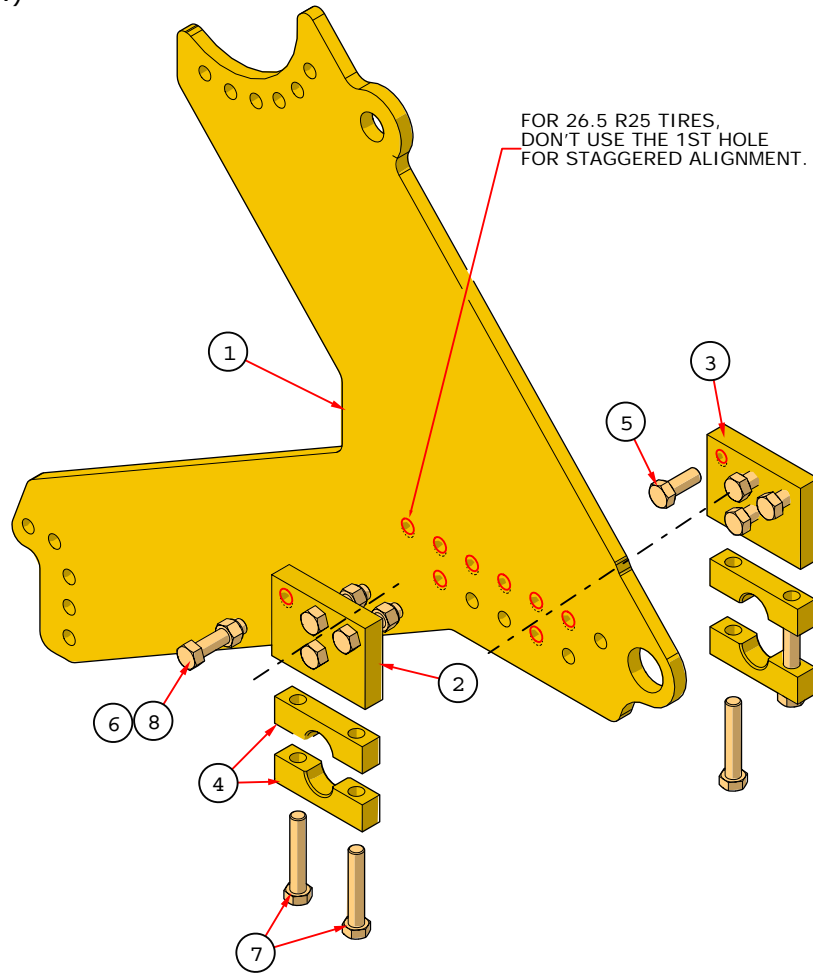


ITEM	QTY	K-TEC P.N.	ASHLAND P.N.	DESCRIPTION
1	1	311000336_wm_W	601462	HUB WELDMENT
2	1	211000223_sm_W	504991	AXLE
3	2	211000192_sm_W	504676	HUB CAP
4	1	211000250_sm_W	504678	BEARING SPACER
5	2	404000135	A14014	TAPERED ROLLER BEARING CUP 5-3/8" OD x 1-1/4"
6	2	404000136	A14015	TAPERED ROLLER BEARING RACE 2-13/16" ID X 1-3/4"
7	2	405000016	14505	1/8 NPT ZERK
8	1	405000137	400720	1/4 NPT X 7/16" SET SCREW
9	4	405000154	AFB-00209	3/8"-16 X 5/8" SET SCREW
10	1	407400162	400719	PRESSURE RELIEF VENT, 1/4" PTF, 15 PSI
11	2	422000106	400693	GREASE SEAL, ID: 2.625", OD: 4.003", W: 0.375"
12	2	422000152	400791	HUB SEAL, 4061T281 (6-1/4 X 6-1/2)
13	14	BLT10.9_M22x100_1.5_STU	DA125236	BLT10.9_M22x100_1.5_STUD
14	1	405000150	400789	TANGENT LOCK NUT 2.751-18
15	14	NUT8F_M22_1.5_FLG	A125229	NUT: M22 GR 8, FINE THREAD FLANGE

SECTION 1.15

STRUCTURAL

2411/2811 WHEEL TRUSS
(311000314_A_W)



(TOP VIEW FROM REAR)

THIS DIAGRAM REFERENCES THE STANDARD STAGGERED WHEEL ALIGNMENT.

IF YOU CHOOSE TO SET THE WHEELS IN-LINE THEN USE THE LONGER BOLTS TO INSTALL THEM THROUGH BOTH AXLE BLOCKS.

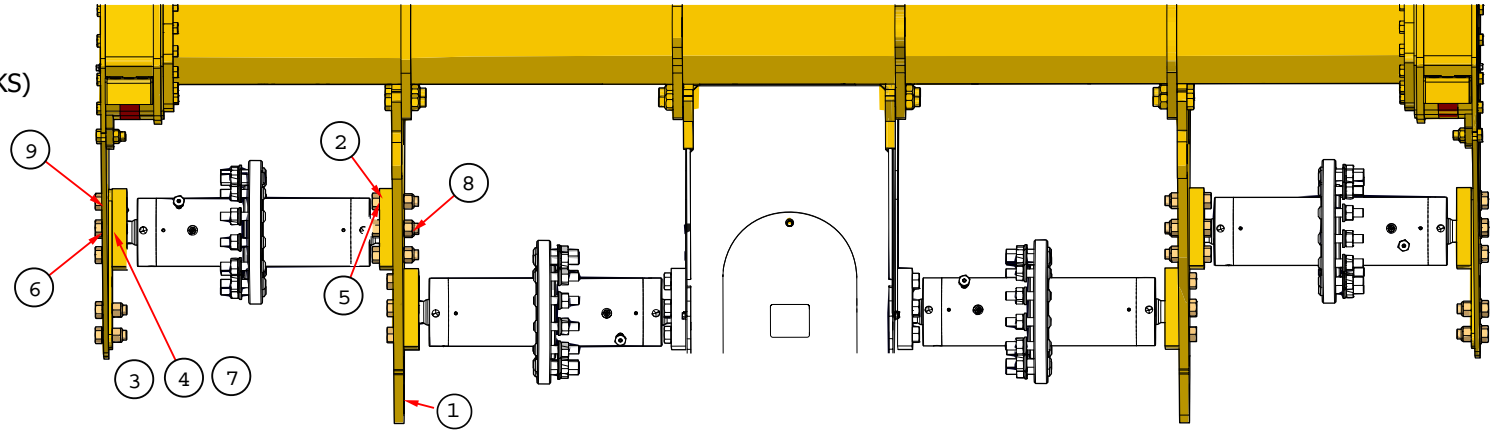
STORE THE EXCESS FASTENERS ON THE VACANT HOLES OF THE TRUSS, OR SOMEWHERE SAFE IN CASE YOU NEED TO SWITCH TO A DIFFERENT ORIENTATION.

ITEM	QTY	K-TEC P.N.	ASHLAND P.N.	DESCRIPTION
1	1	111000648_c_T-CY	504665	WHEEL TRUSS
2	1	211000172_sm_W-CY	504541	AXLE BLOCK
3	1	211000173_sm_W-CY	504673	TAPPED AXLE BLOCK
4	4	211000174_sm_W-CY	504035	AXLE CLAMP BLOCK
5	4	BLT8C_1x2_1-2	AFB-00036	BOLT GR. 8 UNC 1" X 2-1/2"
6	4	BLT8C_1x4	AFB-00187	BOLT GR. 8 UNC 1" X 4"
7	4	BLT8C_1x5_1-2	AFB-00021	BOLT GR. 8 UNC 1" x 5-1/2"
8	4	NUT8C_1_NYL	AFN-00077	NUT GR. 8 UNC 1" NYLON LOCK

SECTION 1.15

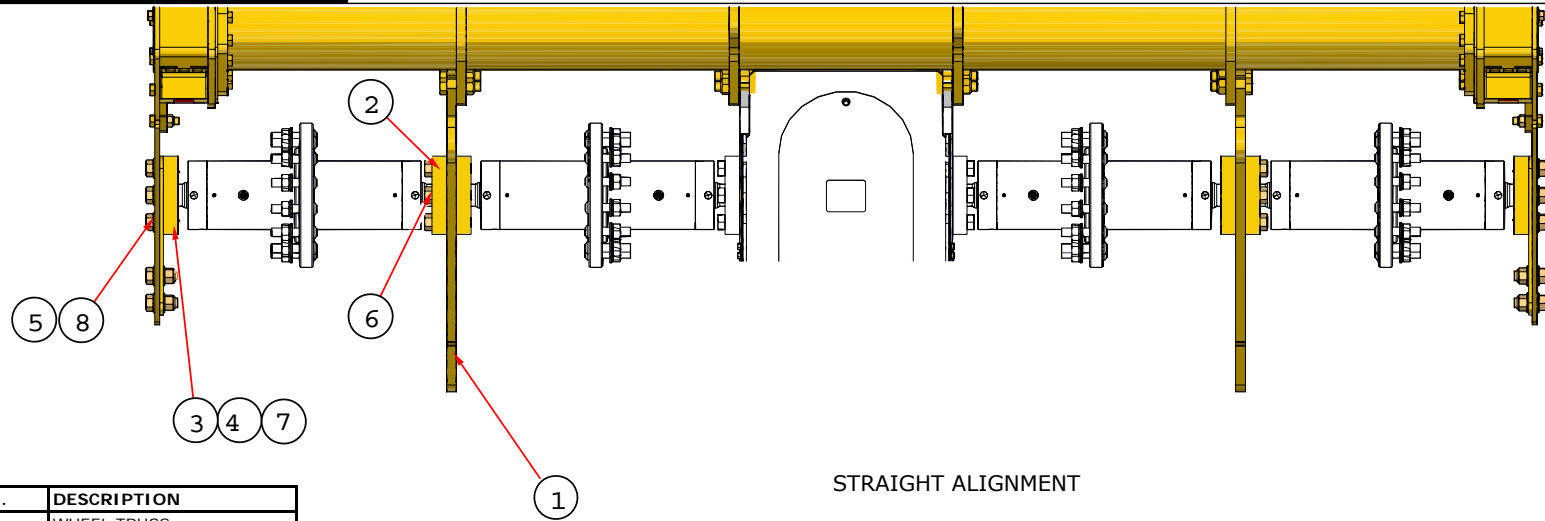
STRUCTURAL

2411/2811 WHEEL ALIGNMENT
(NOTE THE DIRECTION OF HUBS AND BLOCKS)



ITEM	QTY	K-TEC P.N.	ASHLAND P.N.	DESCRIPTION
1	2	111000648_c_T-CY	504665	WHEEL TRUSS
2	2	211000172_sm_W-CY	504541	AXLE BLOCK
3	4	211000173_sm_W-CY	504673	TAPPED AXLE BLOCK
4	12	211000174_sm_W-CY	504035	AXLE CLAMP BLOCK
5	8	BLT8C_1x4	AFB-00187	BOLT GR. 8 UNC 1" X 4"
6	20	BLT8C_1x2_1-2	AFB-00036	BOLT GR. 8 UNC 1" X 2-1/2"
7	12	BLT8C_1x5_1-2	AFB-00021	BOLT GR. 8 UNC 1" x 5-1/2"
8	12	NUT8C_1_NYL	AFN-00077	NUT GR. 8 UNC 1" NYLON LOCK
9	12	WSH8_1_STR	AFW-00011	1" STRUCTURAL WASHER

STAGGERED ALIGNMENT



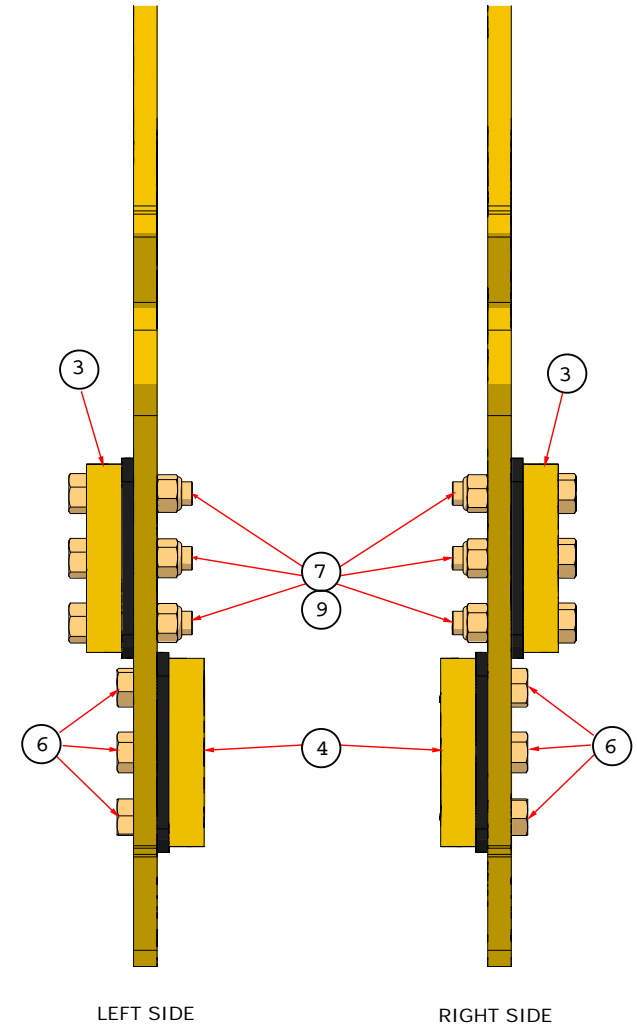
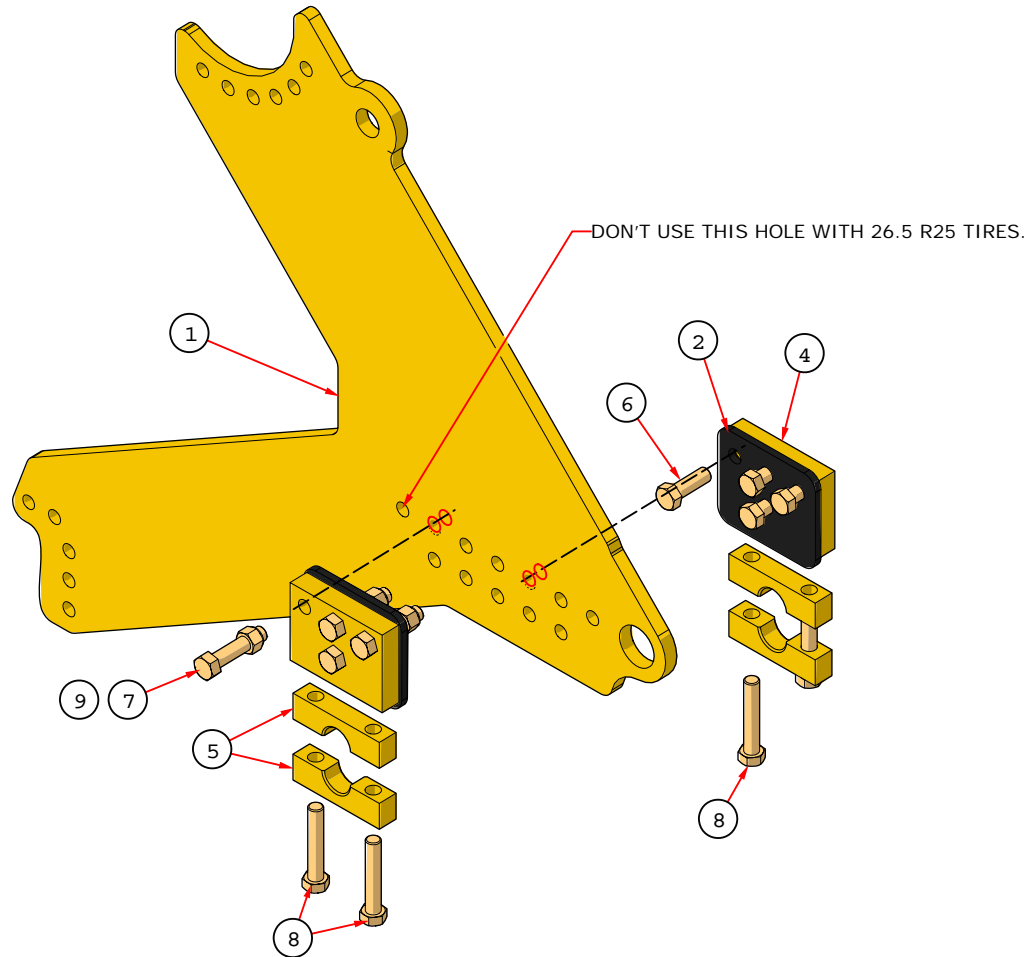
ITEM	QTY	K-TEC P.N.	ASHLAND P.N.	DESCRIPTION
1	2	111000648_c_T-CY	504665	WHEEL TRUSS
2	4	211000172_sm_W-CY	504541	AXLE BLOCK
3	4	211000173_sm_W-CY	504673	TAPPED AXLE BLOCK
4	16	211000174_sm_W-CY	504035	AXLE CLAMP BLOCK
5	8	BLT8C_1x2_1-2	AFB-00036	BOLT GR. 8 UNC 1" X 2-1/2"
6	8	BLT8C_1x4	AFB-00187	BOLT GR. 8 UNC 1" X 4"
7	4	BLT8C_1x5_1-2	AFB-00021	BOLT GR. 8 UNC 1" x 5-1/2"
8	8	WSH8_1_STR	AFW-00011	1" STRUCTURAL WASHER

STRAIGHT ALIGNMENT

SECTION 1.15

STRUCTURAL

2411/2811 WHEEL TRUSS
(311000384_A_W)



THIS DIAGRAM REFERENCES THE STANDARD STAGGERED WHEEL ALIGNMENT.

IF YOU CHOOSE TO SET THE WHEELS IN-LINE THEN USE THE LONGER BOLTS TO INSTALL THEM THROUGH BOTH AXLE BLOCKS.

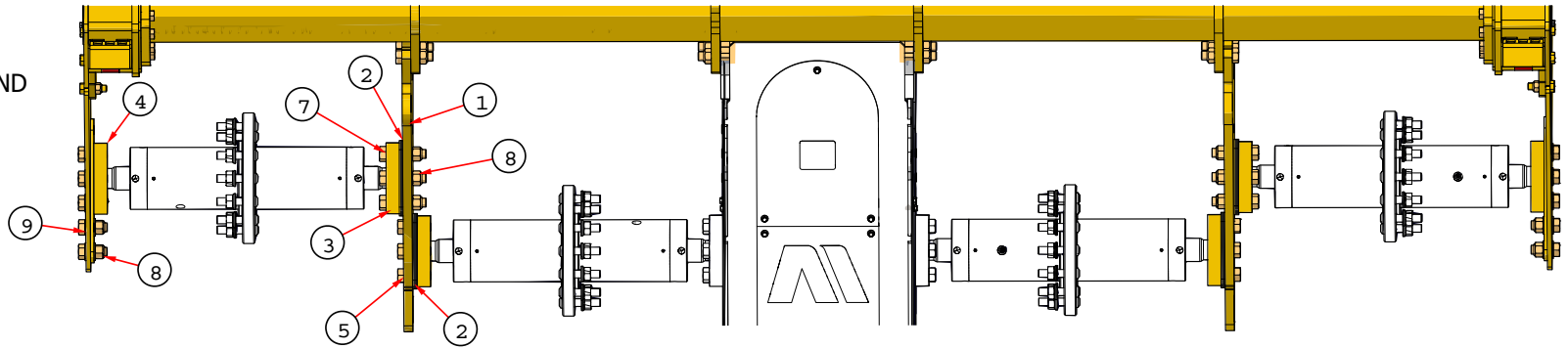
STORE THE EXCESS FASTENERS ON THE VACANT HOLES OF THE TRUSS, OR SOMEWHERE SAFE IN CASE YOU NEED TO SWITCH TO A DIFFERENT ORIENTATION.

ITEM	QTY	K-TEC PART NUMBER	ASHLAND P.N.	DESCRIPTION
1	1	111000648_c_T-CY	504665	WHEEL TRUSS
2	2	111000979_c_W-CG	504759	SPACER PLATE
3	1	211000172_sm_W-CY	504541	AXLE BLOCK
4	1	211000173_sm_W-CY	504673	TAPPED AXLE BLOCK
5	4	211000174_sm_W-CY	504035	AXLE CLAMP BLOCK
6	4	BLT8C_1x3	AFB-00018	BOLT GR. 8 UNC 1" x 3"
7	4	BLT8C_1x4_1-2	AFB-00194	BOLT GR. 8 UNC 1" X 4-1/2"
8	4	BLT8C_1x5_1-2	AFB-00021	BOLT GR. 8 UNC 1" x 5-1/2"
9	4	NUT8C_1_NYL	AFN-00077	NUT GR. 8 UNC 1" NYLON LOCK

SECTION 1.15

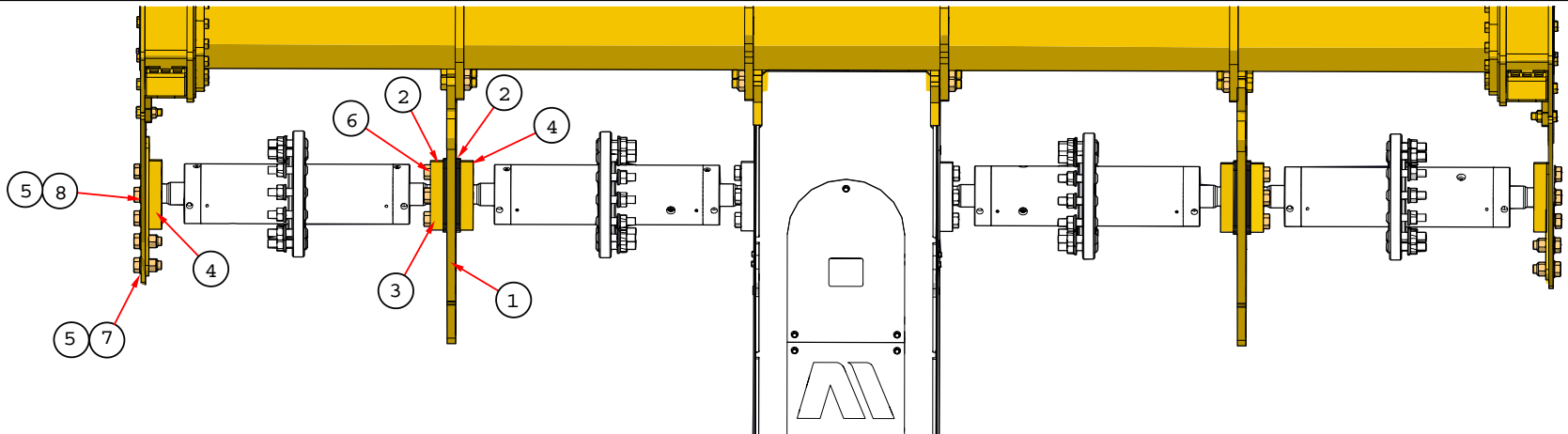
STRUCTURAL

3013/3413 WHEEL ALIGNMENT
(NOTE THE DIRECTION OF HUBS AND BLOCKS)



STAGGERED ALIGNMENT

ITEM	QTY	K-TEC P.N.	ASHLAND P.N.	DESCRIPTION
1	2	111000648_c_T-CY	504665	WHEEL TRUSS
2	4	111000979_c_W-CG	504759	SPACER PLATE
3	2	211000172_sm_W-CY	504541	AXLE BLOCK
4	4	211000173_sm_W-CY	504673	TAPPED AXLE BLOCK
5	8	BLT8C_1x3	AFB-00018	BOLT GR. 8 UNC 1" x 3"
6	12	BLT8C_1x2_1-2	AFB-00036	BOLT GR. 8 UNC 1" X 2-1/2"
7	8	BLT8C_1x4_1-2	AFB-00194	BOLT GR. 8 UNC 1" X 4-1/2"
8	12	NUT8C_1_NYL	AFN-00077	NUT GR. 8 UNC 1" NYLON LOCK
9	14	WSH8_1_STR	AFW-00011	1" STRUCTURAL WASHER



STRAIGHT ALIGNMENT

ITEM	QTY	K-TEC P.N.	ASHLAND P.N.	DESCRIPTION
1	2	111000648_c_T-CY	504665	WHEEL TRUSS
2	4	111000979_c_W-CG	504759	SPACER PLATE
3	2	211000172_sm_W-CY	504541	AXLE BLOCK
4	4	211000173_sm_W-CY	504673	TAPPED AXLE BLOCK
5	12	BLT8C_1x2_1-2	AFB-00036	BOLT GR. 8 UNC 1" X 2-1/2"
6	8	BLT8C_1x4_1-2	AFB-00194	BOLT GR. 8 UNC 1" X 4-1/2"
7	4	NUT8C_1_NYL	AFN-00077	NUT GR. 8 UNC 1" NYLON LOCK
8	12	WSH8_1_STR	AFW-00011	1" STRUCTURAL WASHER

SECTION 2.00

HYDRAULICS

HYDRAULIC FITTINGS TORQUE SPECIFICATIONS

JIC Flare Torque Values (Lubricated)

SAE No.	Tube Size O.D. in.	Nut Size Across Flats in.	Torque Value N.m	Torque Value lb.-ft.	F.F.F.T Flats
-04	1/4"	9/16"	15-16	11-12	2
-06	3/8"	11/16"	24-27	18-20	1 1/2
-08	1/2"	7/8"	41-53	36-39	1 1/2
-12	3/4"	1-1/4"	107-119	79-88	1 1/4
-16	1"	1-1/2"	146-153	108-113	1
-20	1 1/4"	1-7/8"	172-180	127-133	1
-24	1 1/2"	2-1/8"	214-226	158-167	1

O-Ring Boss Torque Values (Lubricated)

SAE No.	Tube Size O.D. in.	Nut Size Across Flats in.	Torque Value N.m	Torque Value lb.-ft.	F.F.F.T Flats
-04	1/4"	9/16"	18-20	13-15	1
-06	3/8"	11/16"	27-34	22-25	1
-08	1/2"	7/8"	54-58	40-43	1
-12	3/4"	1-1/4"	92-102	68-75	1
-16	1"	1-1/2"	152-169	112-123	3/4
-20	1 1/4"	1-7/8"	198-226	146-200	3/4
-24	1 1/2"	2-1/8"	209-291	154-215	1/2

O-Ring Face Seal Torque Values (Lubricated)

SAE No.	Tube Size O.D. in.	Nut Size Across Flats in.	Torque Value N.m	Torque Value lb.-ft.	F.F.F.T Flats
-04	1/4"	9/16"	14-16	10-12	1
-06	3/8"	11/16"	24-27	18-20	1
-08	1/2"	7/8"	43-47	32-35	1
-12	3/4"	1-1/4"	88-95	65-70	1
-16	1"	1-1/2"	125-136	92-100	3/4
-20	1 1/4"	1-7/8"	170-190	125-140	3/4
-24	1 1/2"	2-1/8"	203-224	150-165	3/4

Pipe Thread Torque Values

SAE No.	Tube Size O.D. in.	Nut Size Across Flats in.	Torque Value N.m	Torque Value lb.-ft.	F.F.F.T Flats
-04	1/4"	9/16"	34	25	3/4-1 3/4
-06	3/8"	11/16"	54	40	3/4-1 3/4
-08	1/2"	7/8"	73	54	1/2-1 1/2
-12	3/4"	1-1/4"	106	78	1/2-1 1/2
-16	1"	1-1/2"	152	112	1/2-1 1/2
-20	1 1/4"	1-7/8"	209	154	1/2-1 1/2
-24	1 1/2"	2-1/8"	286	211	1/2-1 1/2

Flats From Finger Tight (F.F.F.T)

is a **Turn Method** that counts the number of hex flats past the finger tightened position.

Assembly Steps With a Visual Check

- 1) With the tube flared, make sure the tubing and threads are clean.
- 2) Lubricate the threads with 10W hydraulic oil.
- 3) Hand tighten the nut/sleeve (approx. 30 lb-in.).
- 4) Make alignment marks on the nut and fitting.
- 5) Proceed to tighten to F.F.F.T. or lb-ft. values.
- 6) When fully tightened make a 2nd set of alignment marks at the fully tightened position.

O-Ring Boss Assembly

- 1) Inspect the components and make sure the port, O-ring, sealing surfaces, and threads are clean, and free of damage.
- 2) Install an O-ring if needed. Take special care not to cut it on the threads. We install our O-rings with special mandrels, or cones.
- 3) Lubricate the threads and O-ring with 10W hydraulic oil.
- 4) For an adjustable ORB, completely back off the locknut/washer.
- 5) Hand tighten the fitting until it contacts the port surface.
- 6) Proceed to tighten the proper specified torque value.

As the Temperature Rises

- + 212F = Water boils off.
- + 600F = Flux starts to bubble.
- + 800F = Flux becomes translucent.
- + 1100F = Flux melts and becomes clear and active, looks like water.
- + 1125F = Silver braze ring melts.
- + 1140F = Silver flows evenly throughout the joint allowing the braze sleeve to drop and be fully seated.
At this point the metal will take on a dark reddish look.

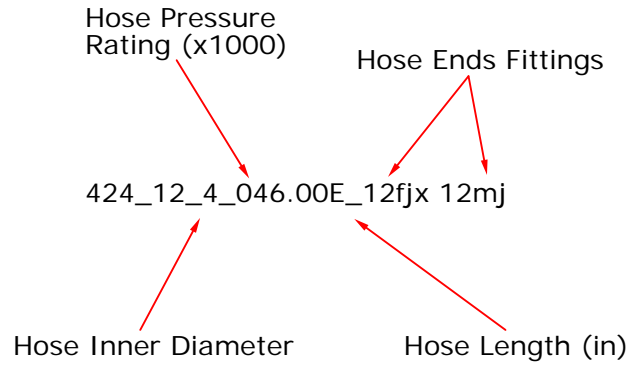
SECTION 2.00

HYDRAULICS

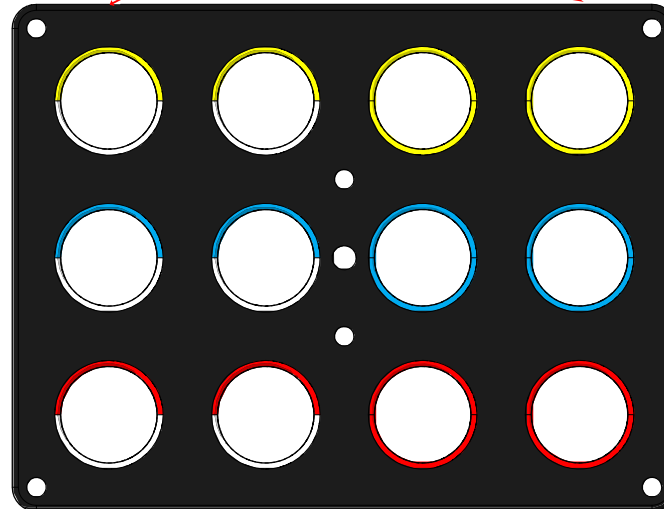
HYDRAULICS CODING BREAKDOWN

mj - Male JIC
 fj - Female JIC
 mp - Male Pipe
 fp - Female Pipe
 mb - Make ORB
 fb - Female ORB
 x - Swivel
 mf - Male Flat Face
 ff - Female Flat Face

6 - 3/8"
 8 - 1/2"
 12 - 3/4"
 16 - 1"



FRONT UNIT CONFIGURATION



REAR UNIT CONFIGURATION

VIEW FROM FRONT OF SCRAPER
(HOSE ALIGNMENT IS THE SAME AT BULKHEAD)

- REMOTE 1 LIFT UP
- REMOTE 1 LIFT DOWN
- REMOTE 2 GATE CLOSE
- REMOTE 2 GATE OPEN
- REMOTE 3 EJECTOR RETRACT
- REMOTE 3 EJECTOR EXTEND
- CUSHION RIDE

FACTORY RECOMMENDED CONTROL SET UP

SOLID COLOR HOSES

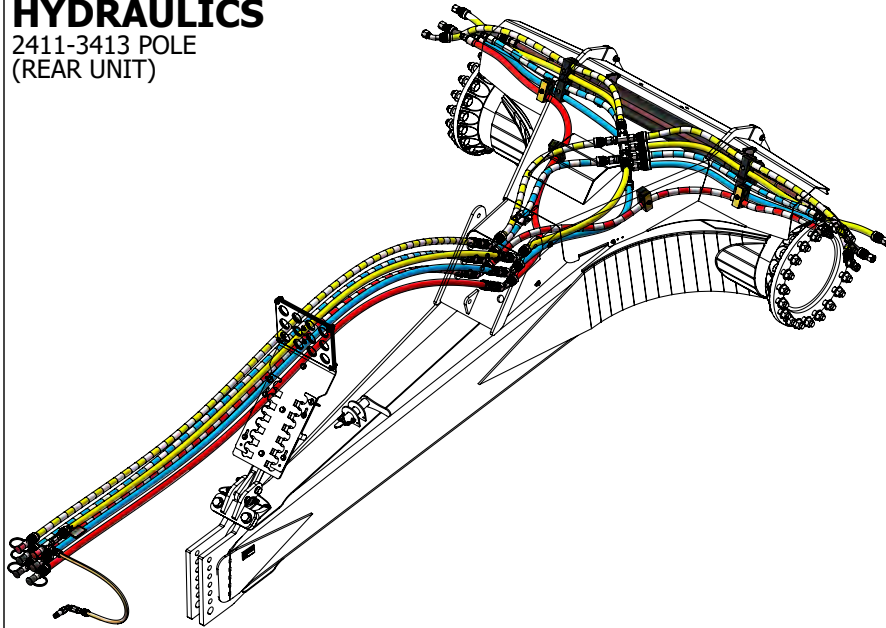
LEAD LIFT DOWN	SINGLE / REAR LIFT DOWN	GATE OPEN	EJECTOR EXTEND
REMOTE 1 YELLOW	REMOTE 2 YELLOW	REMOTE 3 BLUE	REMOTE 4 RED
LEAD LIFT UP	SINGLE / REAR LIFT UP	GATE CLOSE	EJECTOR RETRACT

DOTTED COLOR HOSES








SECTION 2.01

HYDRAULICS

2411-3413 POLE
(REAR UNIT)



ALL MODELS USE THE SAME PARTS LIST EXCEPT FOR THE SINGLE LIFT AND CUSHION RIDE HOSES, SEE TABLE FOR PROPER LENGTHS

- REMOTE 1  LIFT UP
- REMOTE 1  LIFT DOWN
- REMOTE 2  GATE CLOSE
- REMOTE 2  GATE OPEN
- REMOTE 3  EJECTOR RETRACT
- REMOTE 3  EJECTOR EXTEND
-  CUSHION RIDE

ITEM	QTY	K-TEC P.N.	ASHLAND P.N.	DESCRIPTION
1	1	402000010-CB		ACCUMULATOR 2.1 GAL RBDL [4000 PSI]
2	1	407100023		ADAPTER PLUG 1/2" NPT ORIFICE FOR CASE DRAIN
3	3	405000053		YELLOW ZIP TIE
4	3	405000051		BLUE ZIP TIE
5	3	405000068		RED ZIP TIE
6	4	407000073		DUST CAP MALE 1/2" BODY QUICK CONNECT - BLACK
7	2	407000074		DUST CAP MALE 1/2" BODY QUICK CONNECT - RED
8	6	407300086		MALE TIP - 12 FNPT X 1/2" BODY (ISO 5675)
9	1	407300006		TIP FF 3/8" BODY FORB-08
10	1	407100024		ADAPTER REDUCER BUSHING MNPT-12 X FNPT-08
11	1	4071_06mj_06fjx_LS		LIVE SWIVEL MJIC-06 X FJIC-06
12	1	4071_08mb_06mj90		ELBOW 90 DEG MORB-08 X MJIC-06
13	4	4071_12mj_12mj_BH_12mj		BULKHEAD TEE MJIC-12 3 WAY
14	4	4071_12mj_BH nut	AHA-00099	BULKHEAD NUT JIC 3/4"
15	1	4071_12mp_12fp_12fp		TEE RUN FEMALE MNPT-12 X FNPT-12 X FNPT-12
16	1	4071_12mp_12fp_LS		LIVE SWIVEL MJIC-06 X FJIC-06
17	1	4071_16mb_12mj		ADAPTOR MORB-16 X MJIC-12
18	1	4071_16mj_16fjx_16mj		TEE MJIC-16 X FJX-16 X MJ-16
19	6	4071_16mj_16mj_BH		BULKHEAD MJIC-16 X MJIC-16
20	6	4071_16mj_BH nut		BULKHEAD NUT JIC 1"
21	1	426000423		RIDE CONTROL LINE
22	1	411100038 KIT		SCRAPER CASE DRAIN NOTICE
23	8	407610039 KIT		SINGLE STACK CLAMP ASSEMBLY, .75" HOSE
24	2	407610175		CLAMP ASSEMBLY 5" ACCUMULATOR
25	2	407610106 Kit		CLAMP ASSEMBLY, .75" TUBE
26	1	424201225		HOSE - 12_5_013.50E_12FJX 16FJX90
27	1	424207037		HOSE - 06_039.00E_06FJX 08MP
28	2	424203842		HOSE - 12_5_132.00E_12MP 16FJX
29	1	424203839		HOSE - 12_5_135.00E_12MP 16FJX
30	1	424203838		HOSE - 12_5_130.00E_12MP 16FJX
31	2	424203840		HOSE - 12_5_133.00E_12 MP 16FJX
32	2	424203712		HOSE - 12_5_038.50E_12FJX 16FJX45
33	2	424203714		HOSE - 12_5_040.00E_12FJX 16FJX45
34	2	424203716		HOSE - 12_017.25E_16MJ 12FJX
35	2	424203704		HOSE - 12_058.50E_12FJX 12FJX45
36	2	424203706		HOSE - 12_056.50E_12FJX 12FJX
37	2	424203708		HOSE - 12_044.00E_12MJ 12FJX
38	2	424203710		HOSE - 12_045.50E_12MJ 12FJX
39	2	424203718		HOSE - 12_078.50E_12MJ 16FJX45
40	2	424207059		HOSE - 12_5_090.50E_12MJ 16FJX45
41	2	424207056		HOSE - 12_5_029.25E_16MJ 12FJX
42	2	424207054		HOSE - 12_5_070.50E_12FJX 12FJX45
43	2	424207055		HOSE - 12_5_068.50E_12 FJX 12FJX
44	2	424207057		HOSE - 12_5_056.00E_12MJ 12FJX
45	2	424207058		HOSE - 12_5_057.50E_12MJ 12FJX

2411/2811

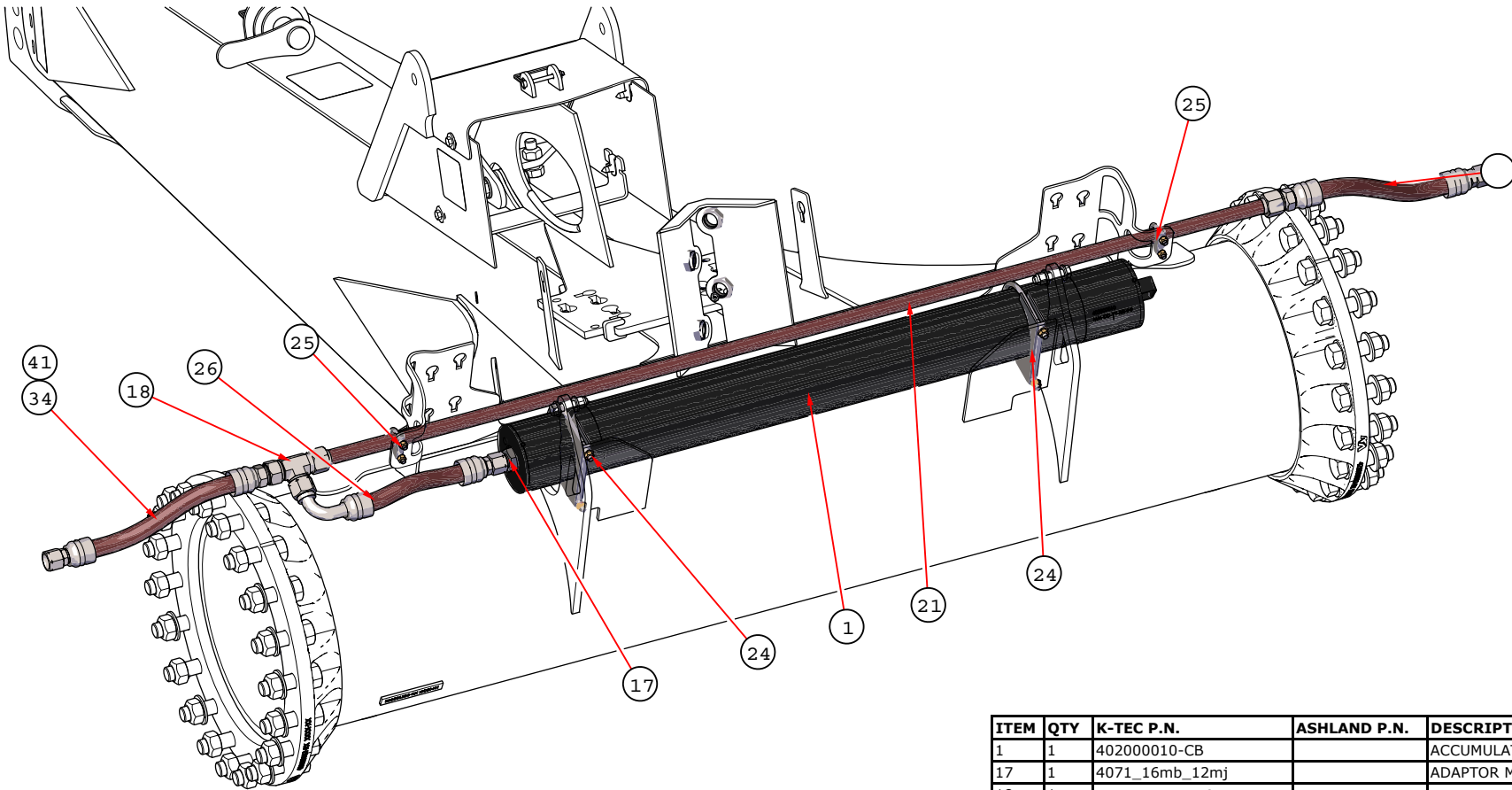
3013/3413

SECTION 2.01

HYDRAULICS

2411-3413 POLE, CUSHION RIDE
(REAR/SINGLE & FRONT/LEAD)

KITS	
407610106	
QTY	DESCRIPTION
2	NUT GR. 8 UNC 5/16" STOVER LOCK
1	U BOLT RETAINER FOR 1 INCH LINE
1	U BOLT FOR 1 INCH LINE
407610175	
QTY	DESCRIPTION
2	3/8" FLANGE NUT
1	U Bolt - ACCUMULATOR
1	U BOLT RETAINER



*WHEN SERVICING CYLINDERS
MAKE SURE TO RECHARGE ACCUMULATOR.

2411/2811 = 1450 psi
3013/3413 = 1650 psi

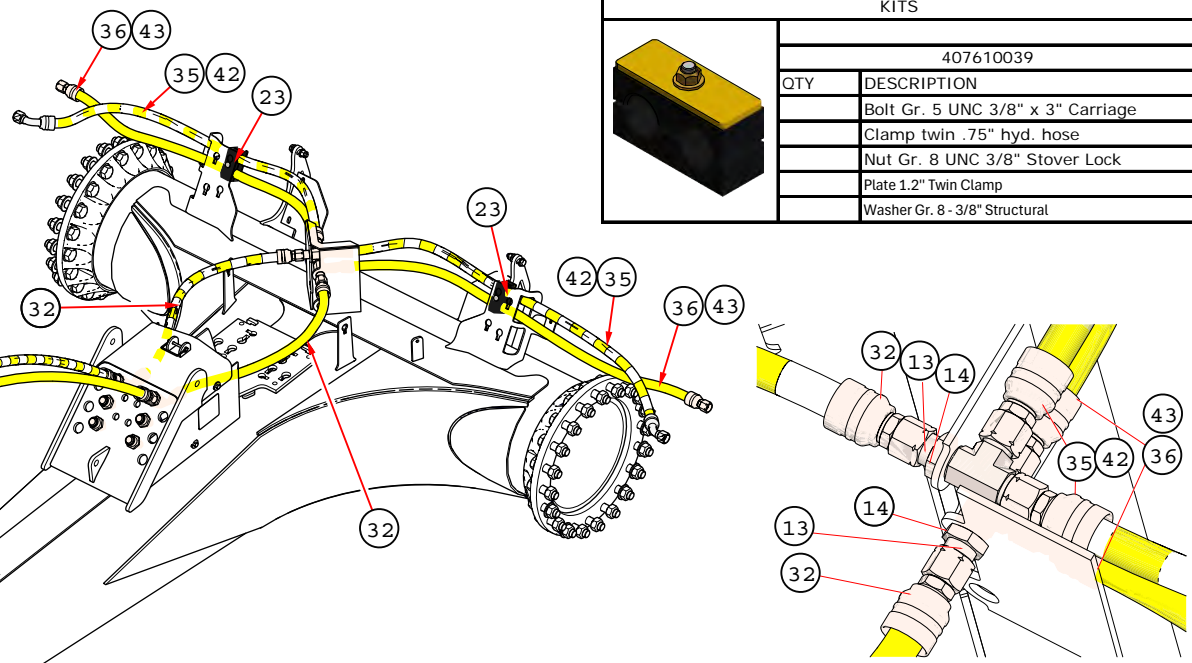
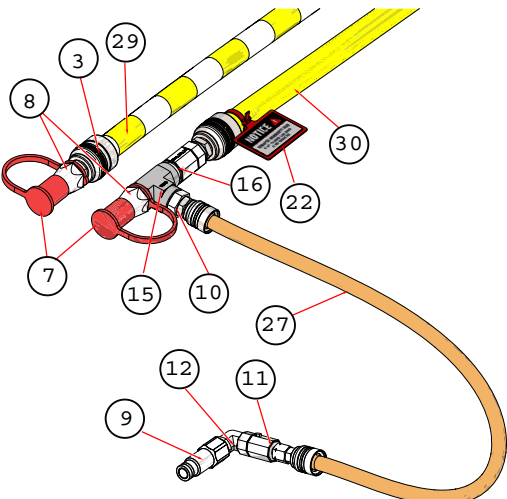
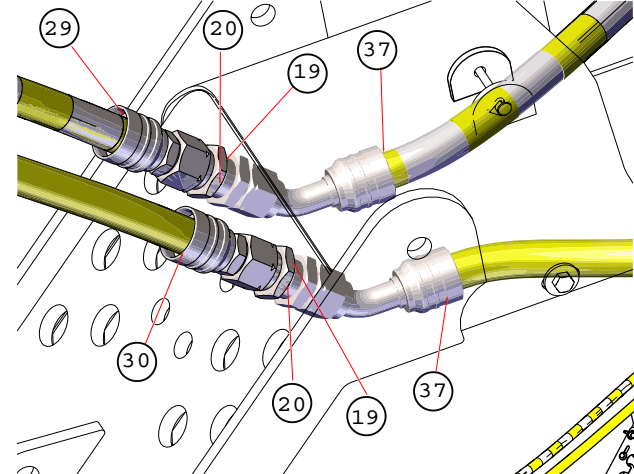
ITEM	QTY	K-TEC P.N.	ASHLAND P.N.	DESCRIPTION
1	1	402000010-CB		ACCUMULATOR 2.1 GAL RBDL [4000 PSI]
17	1	4071_16mb_12mj		ADAPTOR MORB-16 X MJIC-12
18	1	4071_16mj_16fjx_16mj		TEE MJIC-16 X FJX-16 X MJ-16
21	1	426000423		RIDE CONTROL LINE
24	2	407610175 Kit		CLAMP ASSEMBLY 5" ACCUMULATOR
25	2	407610106 Kit		CLAMP ASSEMBLY, .75" TUBE
26	1	424201225		HOSE - 12_5_013.50E_12FJX 16FJX90
34	2	424203716		HOSE - 12_017.25E_16MJ 12FJX
41	2	424207056		HOSE - 12_5_029.25E_16MJ 12FJX

2411/2811	
3013/3413	

SECTION 2.01

HYDRAULICS

2411-3413 POLE, LIFT
(REAR/SINGLE)



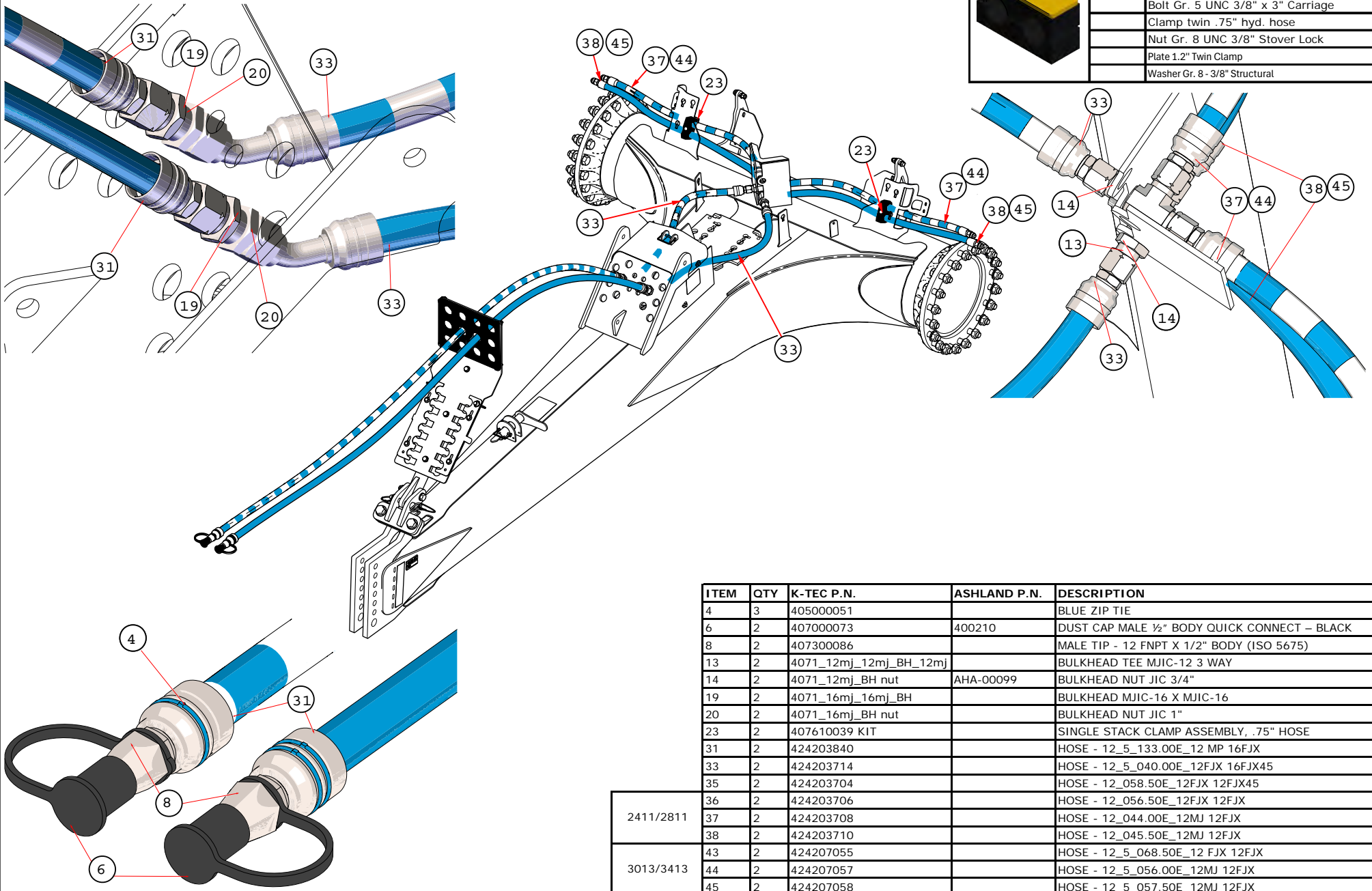
KITS	
407610039	
QTY	DESCRIPTION
	Bolt Gr. 5 UNC 3/8" x 3" Carriage
	Clamp twin .75" hyd. hose
	Nut Gr. 8 UNC 3/8" Stover Lock
	Plate 1.2" Twin Clamp
	Washer Gr. 8 - 3/8" Structural

ITEM	QTY	K-TEC P.N.	ASHLAND P.N.	DESCRIPTION
3	3	405000053		YELLOW ZIP TIE
7	2	407000074	400219	DUST CAP MALE 1/2" BODY QUICK CONNECT - RED
8	2	407300086		MALE TIP - 12 FNPT X 1/2" BODY (ISO 5675)
9	1	407300006		TIP FF 3/8" BODY FORB-08
10	1	407100024		ADAPTER REDUCER BUSHING MNPT-12 X FNPT-08
11	1	4071_06mj_06fjx_LS		LIVE SWIVEL MJIC-06 X FJIC-06
12	1	4071_08mb_06mj90		ELBOW 90 DEG MORB-08 X MJIC-06
13	2	4071_12mj_12mj_BH_12mj		BULKHEAD TEE MJIC-12 3 WAY
14	2	4071_12mj_BH nut	AHA-00099	BULKHEAD NUT JIC 3/4"
15	1	4071_12mp_12fp_12fp		TEE RUN FEMALE MNPT-12 X FNPT-12 X FNPT-12
16	1	4071_12mp_12fp_LS		LIVE SWIVEL MJIC-06 X FJIC-06
19	2	4071_16mj_16mj_BH		BULKHEAD MJIC-16 X MJIC-16
20	2	4071_16mj_BH nut		BULKHEAD NUT JIC 1"
22	1	411100038 KIT		SCRAPER CASE DRAIN NOTICE
23	2	407610039 KIT		SINGLE STACK CLAMP ASSEMBLY, .75" HOSE
27	1	424207037		HOSE - 06_039.00E_06FJX 08MP
29	1	424203839		HOSE - 12_5_135.00E_12MP 16FJX
30	1	424203838		HOSE - 12_5_130.00E_12MP 16FJX
32	2	424203712		HOSE - 12_5_038.50E_12FJX 16FJX45
33	2	424203714		HOSE - 12_5_040.00E_12FJX 16FJX45
34	2	424203716		HOSE - 12_017.25E_16MJ 12FJX
35	2	424203704		HOSE - 12_058.50E_12FJX 12FJX45
2411/2811	2	424203706		HOSE - 12_056.50E_12FJX 12FJX
37	2	424203708		HOSE - 12_044.00E_12MJ 12FJX
3013/3413	2	424207056		HOSE - 12_5_029.25E_16MJ 12FJX
	2	424207054		HOSE - 12_5_070.50E_12FJX 12FJX45
	2	424207055		HOSE - 12_5_068.50E_12 FJX 12FJX

SECTION 2.01

HYDRAULICS

2411-3413 POLE, APRON/GATE
(REAR/SINGLE)



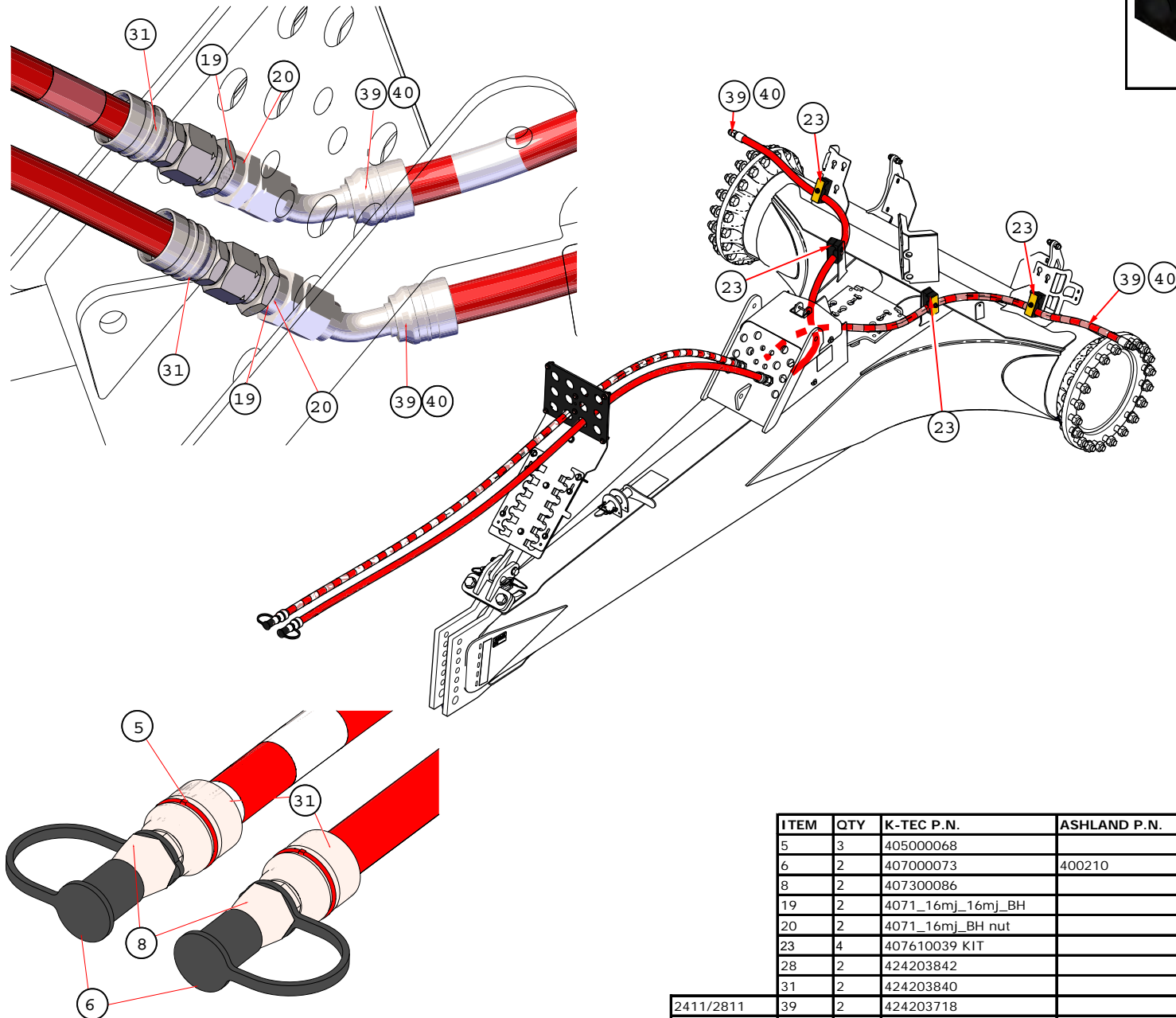
KITS	
407610039	
QTY	DESCRIPTION
	Bolt Gr. 5 UNC 3/8" x 3" Carriage
	Clamp twin .75" hyd. hose
	Nut Gr. 8 UNC 3/8" Stover Lock
	Plate 1.2" Twin Clamp
	Washer Gr. 8 - 3/8" Structural

ITEM	QTY	K-TEC P.N.	ASHLAND P.N.	DESCRIPTION
4	3	405000051		BLUE ZIP TIE
6	2	407000073	400210	DUST CAP MALE 1/2" BODY QUICK CONNECT - BLACK
8	2	407300086		MALE TIP - 12 FNPT X 1/2" BODY (ISO 5675)
13	2	4071_12mj_12mj_BH_12mj		BULKHEAD TEE MJIC-12 3 WAY
14	2	4071_12mj_BH nut	AHA-00099	BULKHEAD NUT JIC 3/4"
19	2	4071_16mj_16mj_BH		BULKHEAD MJIC-16 X MJIC-16
20	2	4071_16mj_BH nut		BULKHEAD NUT JIC 1"
23	2	407610039 KIT		SINGLE STACK CLAMP ASSEMBLY, .75" HOSE
31	2	424203840		HOSE - 12_5_133.00E_12 MP 16FJX
33	2	424203714		HOSE - 12_5_040.00E_12FJX 16FJX45
35	2	424203704		HOSE - 12_058.50E_12FJX 12FJX45
36	2	424203706		HOSE - 12_056.50E_12FJX 12FJX
2411/2811	37	424203708		HOSE - 12_044.00E_12MJ 12FJX
	38	424203710		HOSE - 12_045.50E_12MJ 12FJX
3013/3413	43	424207055		HOSE - 12_5_068.50E_12 FJX 12FJX
	44	424207057		HOSE - 12_5_056.00E_12MJ 12FJX
	45	424207058		HOSE - 12_5_057.50E_12MJ 12FJX

SECTION 2.01

HYDRAULICS

2411-3413 POLE, EJECTOR
(REAR/SINGLE)



KITS

407610039

QTY	DESCRIPTION
	Bolt Gr. 5 UNC 3/8" x 3" Carriage
	Clamp twin .75" hyd. hose
	Nut Gr. 8 UNC 3/8" Stover Lock
	Plate 1.2" Twin Clamp
	Washer Gr. 8 - 3/8" Structural

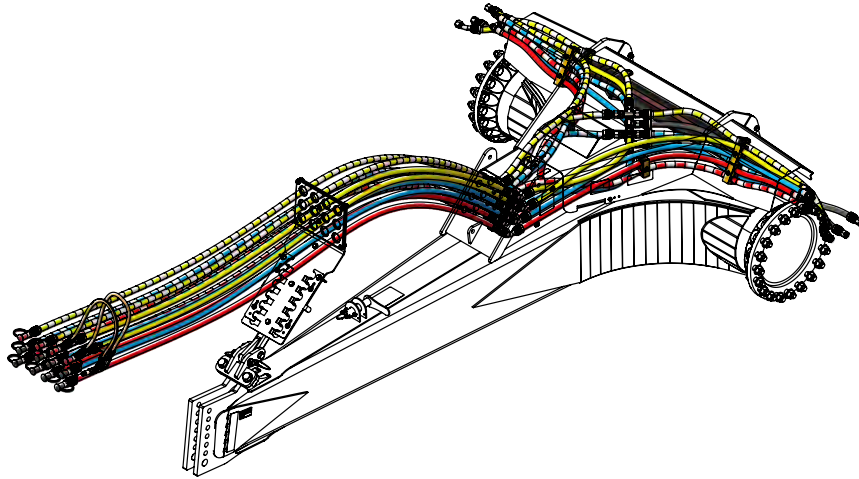
ITEM	QTY	K-TEC P.N.	ASHLAND P.N.	DESCRIPTION
5	3	405000068		RED ZIP TIE
6	2	407000073	400210	DUST CAP MALE 1/2" BODY QUICK CONNECT - BLACK
8	2	407300086		MALE TIP - 12 FNPT X 1/2" BODY (ISO 5675)
19	2	4071_16mj_16mj_BH		BULKHEAD MJIC-16 X MJIC-16
20	2	4071_16mj_BH nut		BULKHEAD NUT JIC 1"
23	4	407610039 KIT		SINGLE STACK CLAMP ASSEMBLY, .75" HOSE
28	2	424203842		HOSE - 12_5_132.00E_12MP 16FJX
31	2	424203840		HOSE - 12_5_133.00E_12 MP 16FJX
2411/2811	39	2	424203718	HOSE - 12_078.50E_12MJ 16FJX45
3013/3413	40	2	424207059	HOSE - 12_5_090.50E_12MJ 16FJX45








SECTION 2.01

HYDRAULICS

2411-2811 POLE
(FRONT/LEAD)

**ALL MODELS USE THE SAME PARTS LIST EXCEPT-
FOR THE SINGLE LIFT AND CUSHION RIDE HOSES,
SEE TABLE FOR PROPER LENGTHS**



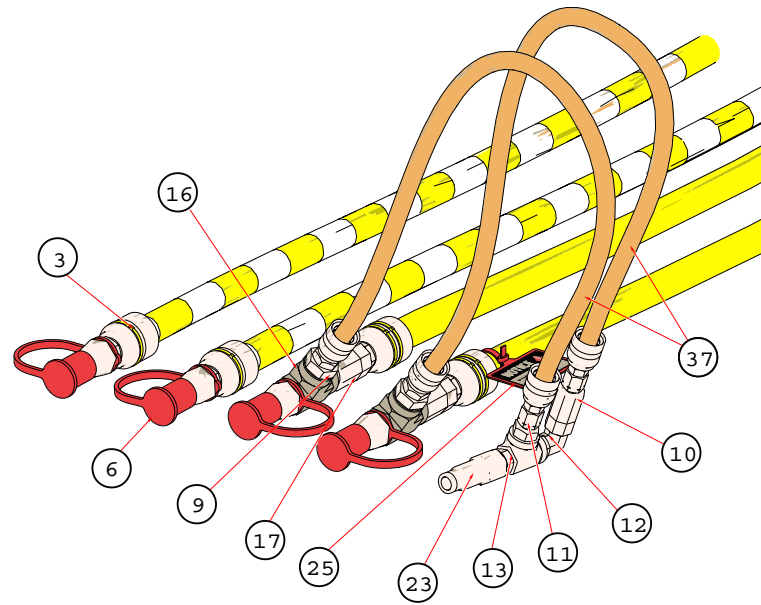
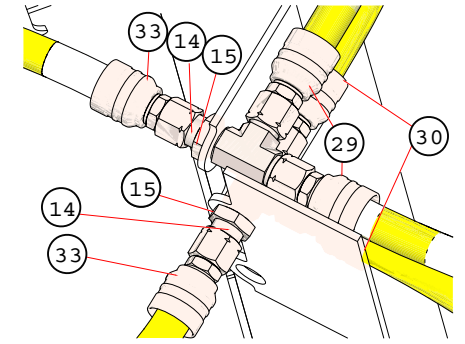
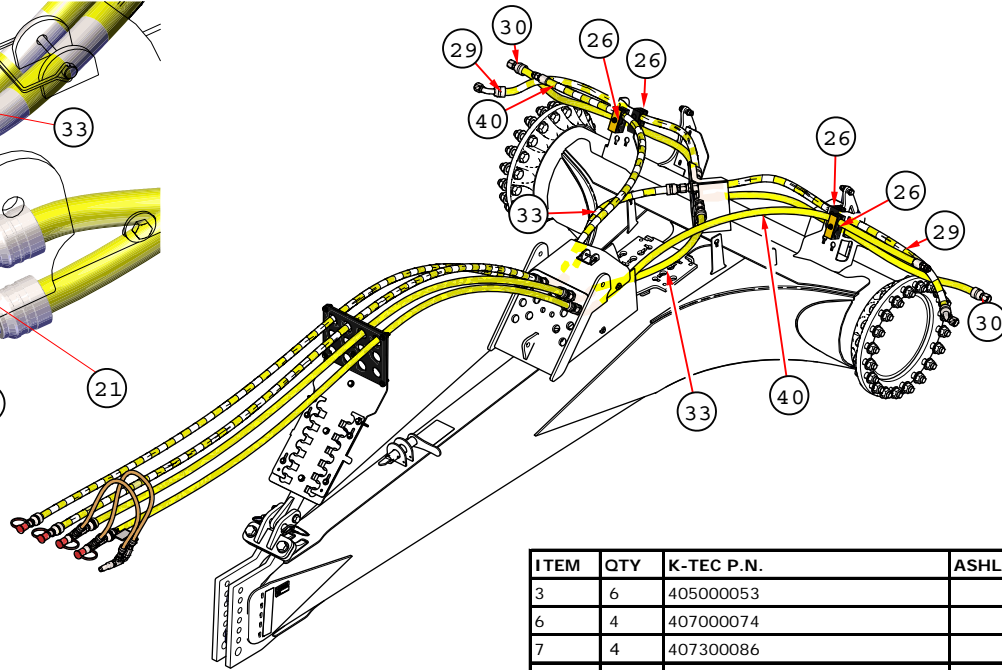
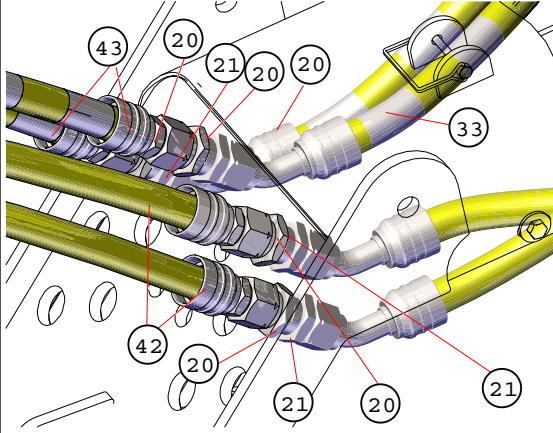
REMOTE 1		LIFT UP
REMOTE 1		LIFT DOWN
REMOTE 2		GATE CLOSE
REMOTE 2		GATE OPEN
REMOTE 3		EJECTOR RETRACT
REMOTE 3		EJECTOR EXTEND
		CUSHION RIDE

ITEM	QTY	K-TEC P.N.	ASHLAND P.N.	DESCRIPTION
1	1	40200010-CB		ACCUMULATOR 2.1 GAL RBDL [4000 PSI] RAMROD
2	6	405000051		BLUE ZIP TIE
3	6	405000053		YELLOW ZIP TIE
4	6	405000068		RED ZIP TIE
5	8	407000073		DUST CAP MALE 1/2" BODY QUICK CONNECT - BLACK
6	4	407000074		DUST CAP MALE 1/2" BODY QUICK CONNECT - RED
7	12	407300086		MALE TIP - 12 FNPT X 1/2" BODY (ISO 5675)
8	2	407100023		ADAPTER PLUG 1/2" NPT ORIFICE DRILLED FOR CASE DRAIN
9	2	407100024		ADAPTER REDUCER BUSHING MNPT-12 X FNPT-08
10	1	4071_06mj_06fjx_LS		LIVE SWIVEL MJIC-06 X FJIC-06
11	1	4071_08mb_06mj		4071_08mb_06mj
12	1	4071_08mb_06mj90		ELBOW 90 DEG MORB-08 X MJIC-06
13	1	4071_08mb_08fb_08fb		TEE ADAPTOR, 08 MORB X 08 FORB X 08 FORB
14	4	4071_12mj_12mj_BH_12mj		BULKHEAD TEE MJIC-12 3 WAY
15	4	4071_12mj_BH nut	AHA-00099	BULKHEAD NUT JIC 3/4"
16	2	4071_12mp_12fp_12fp		TEE RUN FEMALE MNPT-12 X FNPT-12 X FNPT-12
17	2	4071_12mp_12fp_LS		LIVE SWIVEL MJIC-06 X FJIC-06
18	1	4071_16mb_12mj		ADAPTOR MORB-16 X MJIC-12
19	1	4071_16mj_16fjx_16mj		TEE MJIC-16 X FJX-16 X MJ-16
20	12	4071_16mj_16mj_BH		BULKHEAD MJIC-16 X MJIC-16
21	12	4071_16mj_BH nut		BULKHEAD NUT JIC 1"
22	1	4072_12_12mj		CRIMP FITTING: 12 X MJIC 12
23	1	407300006		TIP FF 3/8" BODY FORB-08
24	1	426000423		RIDE CONTROL LINE
25	1	411100038 KIT		SCRAPER CASE DRAIN NOTICE
26	10	407610039 KIT		SINGLE STACK CLAMP ASSEMBLY, .75" HOSE
27	2	407610175		CLAMP ASSEMBLY 5" ACCUMULATOR
28	2	407610106 Kit		CLAMP ASSEMBLY, .75" TUBE
29	2	424203704		HOSE - 12_058.50E_12FJX 12FJX45
30	2	424203706		HOSE - 12_056.50E_12FJX 12FJX
31	2	424203708		HOSE - 12_044.00E_12MJ 12FJX
32	2	424203710		HOSE - 12_045.50E_12MJ 12FJX
33	2	424203712		HOSE - 12_5_038.50E_12FJX 16FJX45
34	2	424203714		HOSE - 12_5_040.00E_12FJX 16FJX45
35	2	424203716		HOSE - 12_017.25E_16MJ 12FJX
36	2	424203718		HOSE - 12_078.50E_12MJ 16FJX45
37	2	424207037		HOSE - 06_039.00E_06FJX 08MP
38	2	424207053		HOSE - 12_5_75.00E_12MJ 16FJX 45
39	2	424207080		HOSE - 12_5_075.75E_12MJ 16FJX45
40	2	424207081		HOSE - 12_5_073.25E_12MJ 16FJX45
41	1	424201225		HOSE - 12_5_013.50E_12FJX 16FJX90
42	2	424203838		HOSE - 12_5_130.00E_12MP 16FJX
43	2	424203839		HOSE - 12_5_135.00E_12MP 16FJX
44	4	424203840		HOSE - 12_5_133.00E_12 MP 16FJX
45	4	424203842		HOSE - 12_5_132.00E_12MP 16FJX

SECTION 2.01

HYDRAULICS

2411-2811 POLE, LIFT
(FRONT/LEAD)



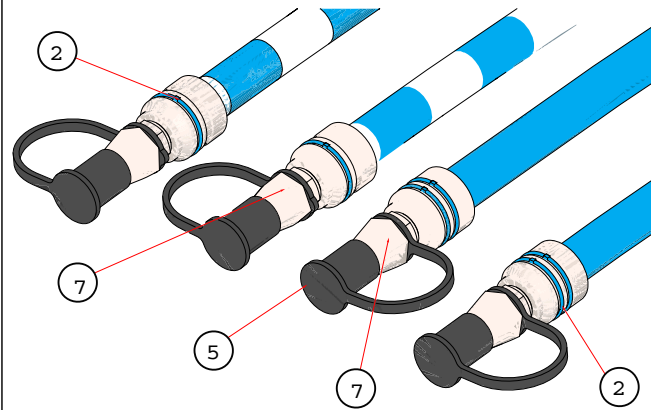
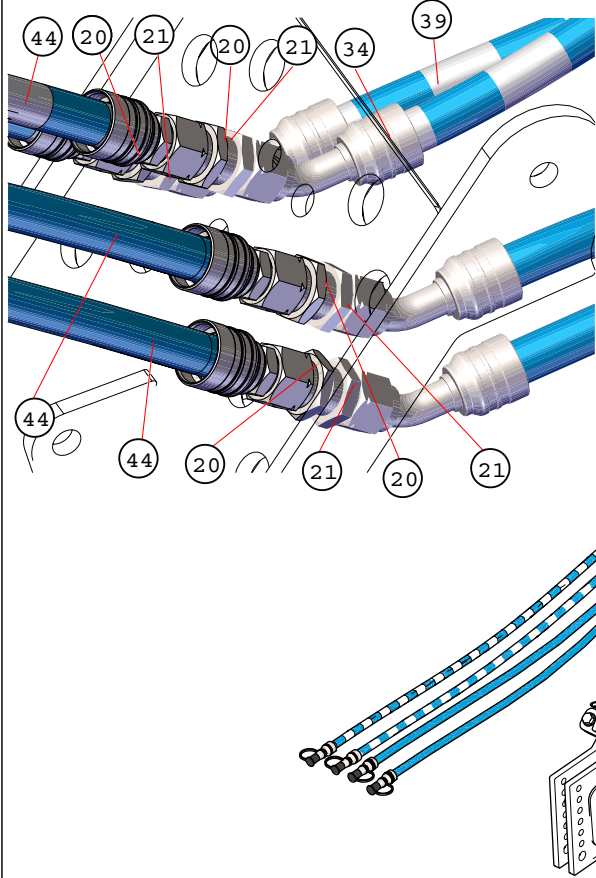
KITS	
407610039	
QTY	DESCRIPTION
	Bolt Gr. 5 UNC 3/8" x 3" Carriage
	Clamp twin .75" hyd. hose
	Nut Gr. 8 UNC 3/8" Stover Lock
	Plate 1.2" Twin Clamp
	Washer Gr. 8 - 3/8" Structural

ITEM	QTY	K-TEC P.N.	ASHLAND P.N.	DESCRIPTION
3	6	405000053		YELLOW ZIP TIE
6	4	407000074		DUST CAP MALE 1/2" BODY QUICK CONNECT - RED
7	4	407300086		MALE TIP - 12 FNPT X 1/2" BODY (ISO 5675)
9	2	407100024		ADAPTER REDUCER BUSHING MNPT-12 X FNPT-08
10	1	4071_06mj_06fjx_LS		LIVE SWIVEL MJIC-06 X FJIC-06
11	1	4071_08mb_06mj		4071_08mb_06mj
12	1	4071_08mb_06mj90		ELBOW 90 DEG MORB-08 X MJIC-06
13	1	4071_08mb_08fb_08fb		TEE ADAPTOR, 08 MORB X 08 FORB X 08 FORB
14	4	4071_12mj_12mj_BH_12mj		BULKHEAD TEE MJIC-12 3 WAY
15	4	4071_12mj_BH nut	AHA-00099	BULKHEAD NUT JIC 3/4"
16	2	4071_12mp_12fp_12fp		TEE RUN FEMALE MNPT-12 X FNPT-12 X FNPT-12
17	2	4071_12mp_12fp_LS		LIVE SWIVEL MJIC-06 X FJIC-06
20	4	4071_16mj_16mj_BH		BULKHEAD MJIC-16 X MJIC-16
21	4	4071_16mj_BH nut		BULKHEAD NUT JIC 1"
23	1	407300006		TIP FF 3/8" BODY FORB-08
25	1	411100038 KIT		SCRAPER CASE DRAIN NOTICE
26	4	407610039 KIT		SINGLE STACK CLAMP ASSEMBLY, .75" HOSE
29	2	424203704		HOSE - 12_058.50E_12FJX 12FJX45
30	2	424203706		HOSE - 12_056.50E_12FJX 12FJX
33	2	424203712		HOSE - 12_5_038.50E_12FJX 16FJX45
33	2	424203712		HOSE - 12_5_038.50E_12FJX 16FJX45
34	2	424203714		HOSE - 12_5_040.00E_12FJX 16FJX45
37	2	424207037		HOSE - 06_039.00E_06FJX 08MP
40	2	424207081		HOSE - 12_5_073.25E_12MJ 16FJX45
42	2	424203838		HOSE - 12_5_130.00E_12MP 16FJX
43	2	424203839		HOSE - 12_5_135.00E_12MP 16FJX

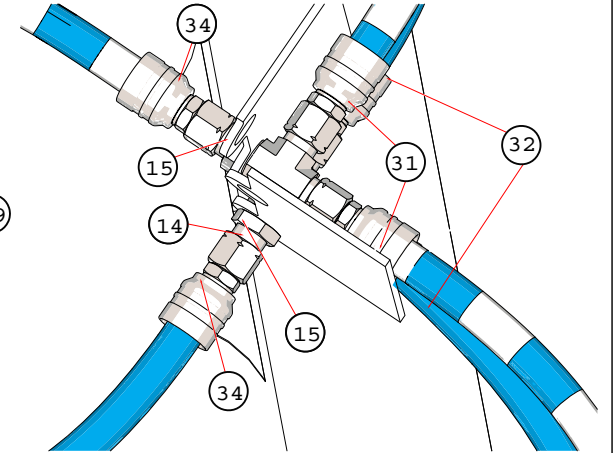
SECTION 2.01

HYDRAULICS

2411-2811 POLE, APRON/GATE
(FRONT/LEAD)



KITS	
407610039	
QTY	DESCRIPTION
	Bolt Gr. 5 UNC 3/8" x 3" Carriage
	Clamp twin .75" hyd. hose
	Nut Gr. 8 UNC 3/8" Stover Lock
	Plate 1.2" Twin Clamp
	Washer Gr. 8 - 3/8" Structural

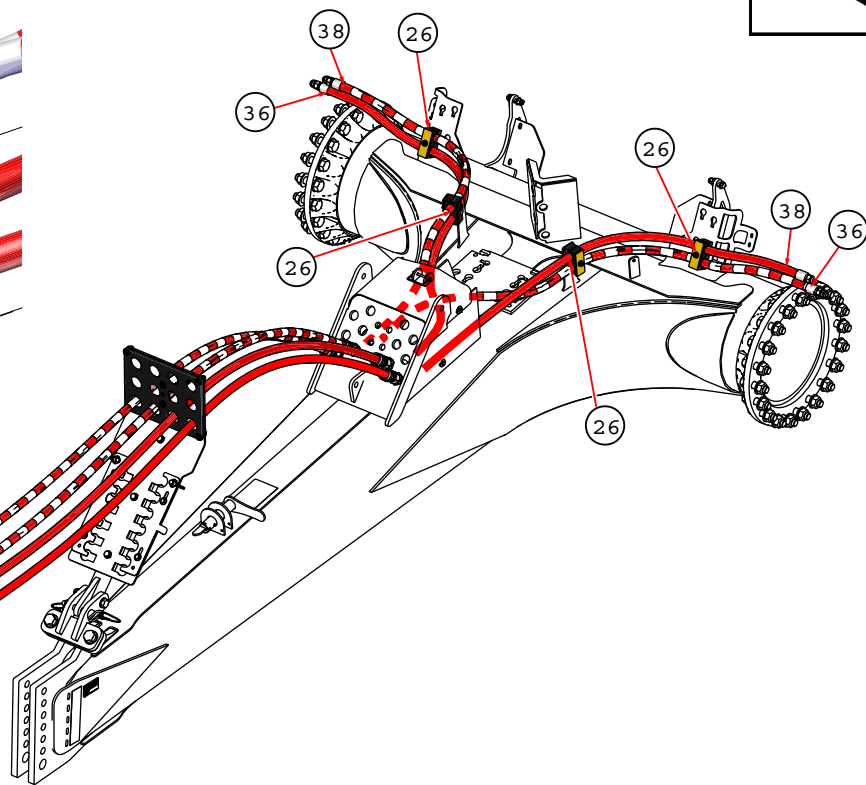
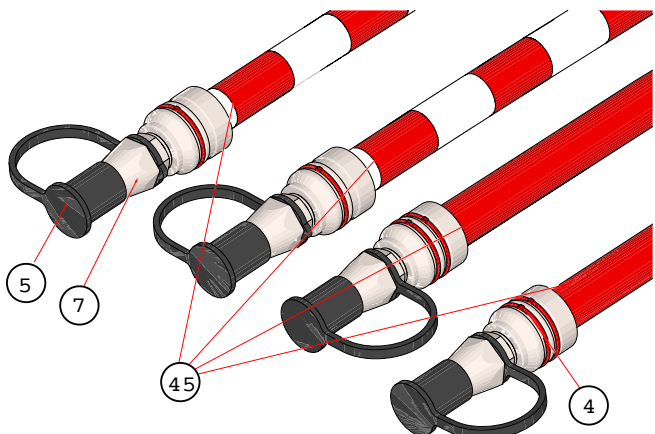
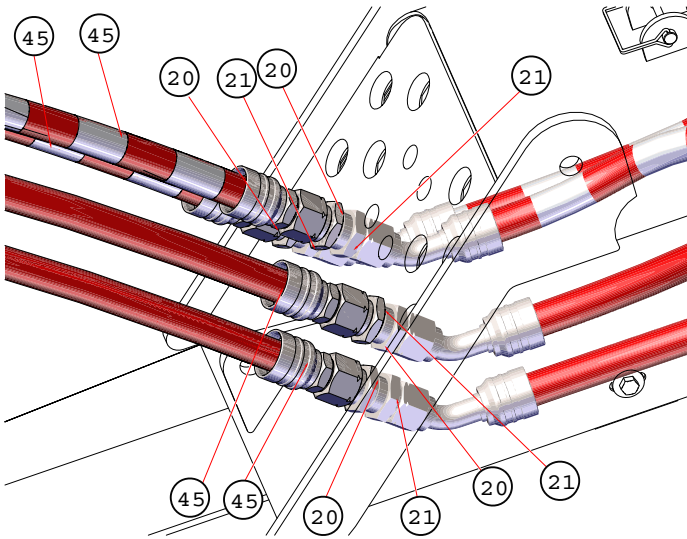


ITEM	QTY	K-TEC P.N.	ASHLAND P.N.	DESCRIPTION
2	6	405000051		BLUE ZIP TIE
5	4	407000073		DUST CAP MALE 1/2" BODY QUICK CONNECT - BLACK
7	4	407300086		MALE TIP - 12 FNPT X 1/2" BODY (ISO 5675)
14	4	4071_12mj_12mj_BH_12mj		BULKHEAD TEE MJIC-12 3 WAY
15	4	4071_12mj_BH nut	AHA-00099	BULKHEAD NUT JIC 3/4"
20	4	4071_16mj_16mj_BH		BULKHEAD MJIC-16 X MJIC-16
21	4	4071_16mj_BH nut		BULKHEAD NUT JIC 1"
26	4	407610039 KIT		SINGLE STACK CLAMP ASSEMBLY, .75" HOSE
29	2	424203704		HOSE - 12_058.50E_12FJX 12FJX45
31	2	424203708		HOSE - 12_044.00E_12MJ 12FJX
32	2	424203710		HOSE - 12_045.50E_12MJ 12FJX
34	2	424203714		HOSE - 12_5_040.00E_12FJX 16FJX45
39	2	424207080		HOSE - 12_5_075.75E_12MJ 16FJX45
44	4	424203840		HOSE - 12_5_133.00E_12 MP 16FJX

SECTION 2.01

HYDRAULICS

2411-2811 POLE, EJECTOR/PUSH OFF (FRONT/LEAD)



KITS	
407610039	
QTY	DESCRIPTION
	Bolt Gr. 5 UNC 3/8" x 3" Carriage
	Clamp twin .75" hyd. hose
	Nut Gr. 8 UNC 3/8" Stover Lock
	Plate 1.2" Twin Clamp
	Washer Gr. 8 - 3/8" Structural

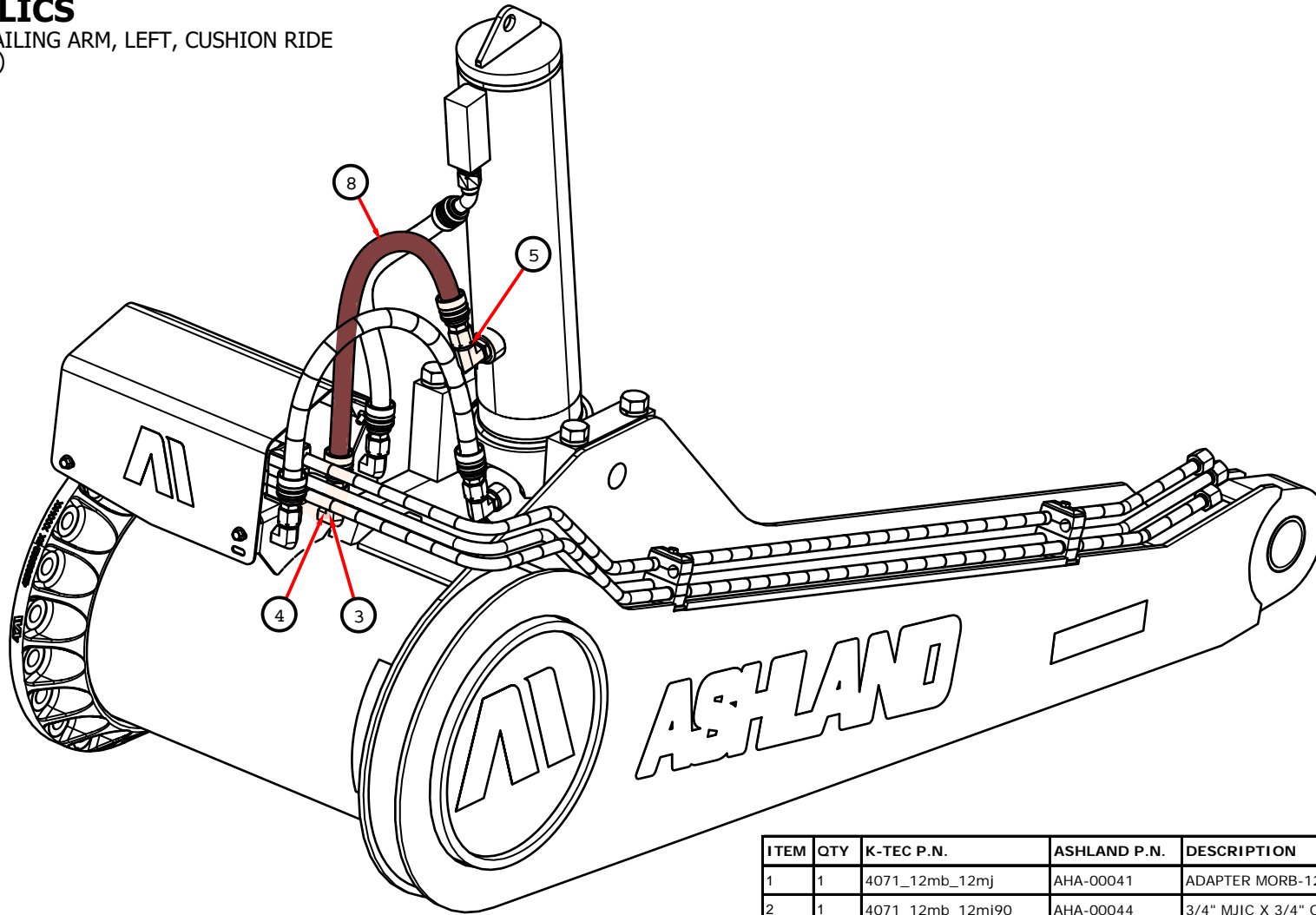


ITEM	QTY	K-TEC P.N.	ASHLAND P.N.	DESCRIPTION
4	6	405000068		RED ZIP TIE
5	4	407000073		DUST CAP MALE 1/2" BODY QUICK CONNECT - BLACK
7	4	407300086		MALE TIP - 12 FNPT X 1/2" BODY (ISO 5675)
20	4	4071_16mj_16mj_BH		BULKHEAD MJIC-16 X MJIC-16
21	4	4071_16mj_BH nut		BULKHEAD NUT JIC 1"
26	4	407610039 KIT		SINGLE STACK CLAMP ASSEMBLY, .75" HOSE
36	2	424203718		HOSE - 12_078.50E_12MJ 16FJX45
38	2	424207053		HOSE - 12_5_75.00E_12MJ 16FJX 45
45	4	424203842		HOSE - 12_5_132.00E_12MP 16FJX

SECTION 2.02

HYDRAULICS

2411-3413 TRAILING ARM, LEFT, CUSHION RIDE
(REAR/SINGLE)

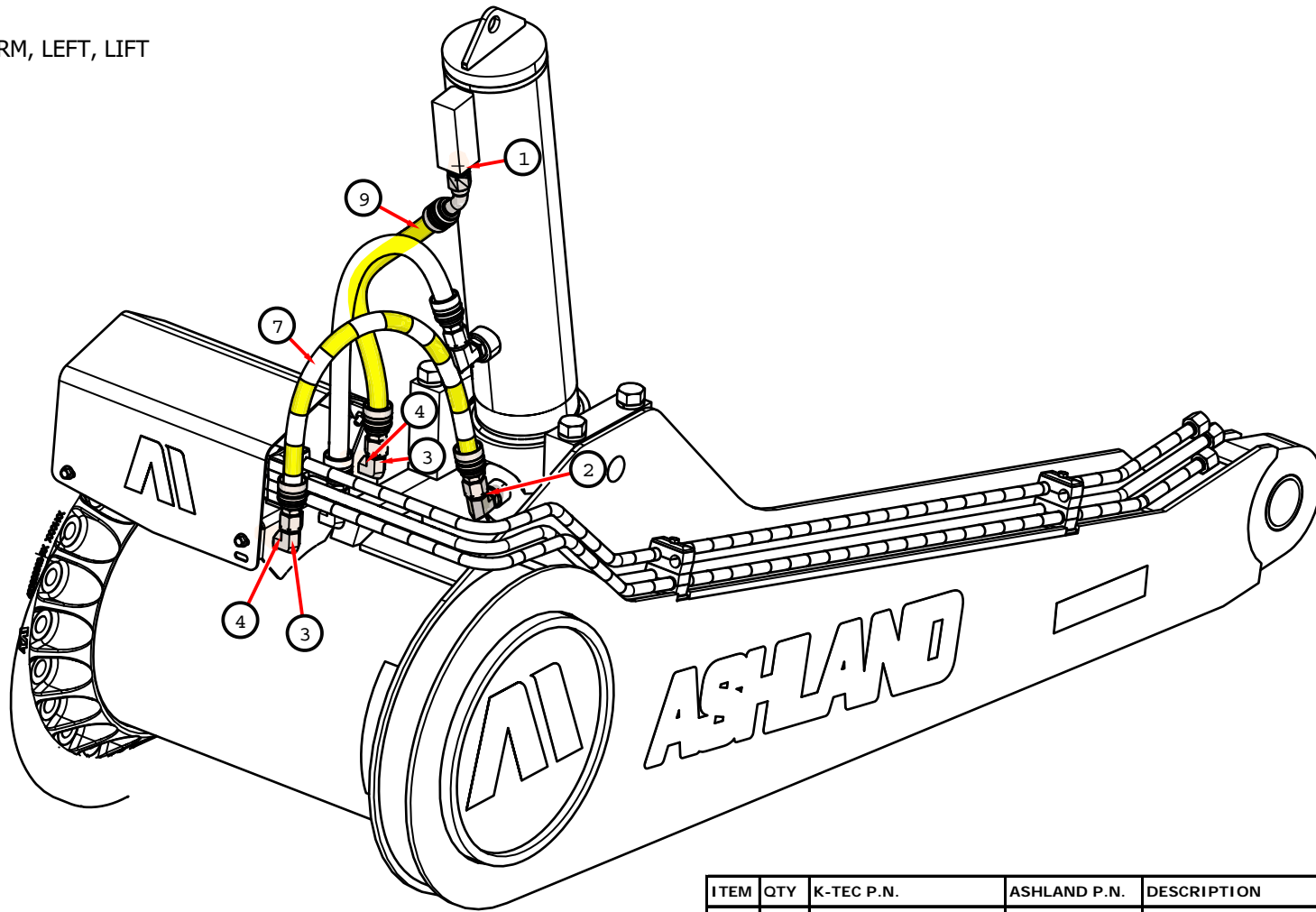


ITEM	QTY	K-TEC P.N.	ASHLAND P.N.	DESCRIPTION
1	1	4071_12mb_12mj	AHA-00041	ADAPTER MORB-12 X MJIC-12
2	1	4071_12mb_12mj90	AHA-00044	3/4" MJIC X 3/4" ORB 90 DEG. ADAPTOR
3	3	4071_12mj_12mj90_BH	AHA-00128	BULKHEAD 90 MJIC-12 X MJIC-12
4	3	4071_12mj_BH nut	AHA-00099	BULKHEAD NUT JIC 3/4"
5	1	4071_16mb_12mj90	AHA-00136	ELBOW ADAPTER 90 DEG. MORB-12 X MJIC 16
6	3	407610401	AHL-00022	DOUBLE STACK HARD LINE CLAMP ASSEMBLY (19MM)
7	1	424207032		HOSE - 12_5_032.00E_12FJX 12FJX
8	1	424207033		HOSE - 12_5_27.5_12FJX 12FJX
9	1	424207034		HOSE - 12_5_24.14_12FJX 12FJX45
10	1	426003631	400748	TUBE ASSEMBLY
11	1	426003632	400747	TUBE ASSEMBLY
12	1	426003633	400746	TUBE ASSEMBLY

SECTION 2.02

HYDRAULICS

2411-3413 TRAILING ARM, LEFT, LIFT
(REAR/SINGLE)

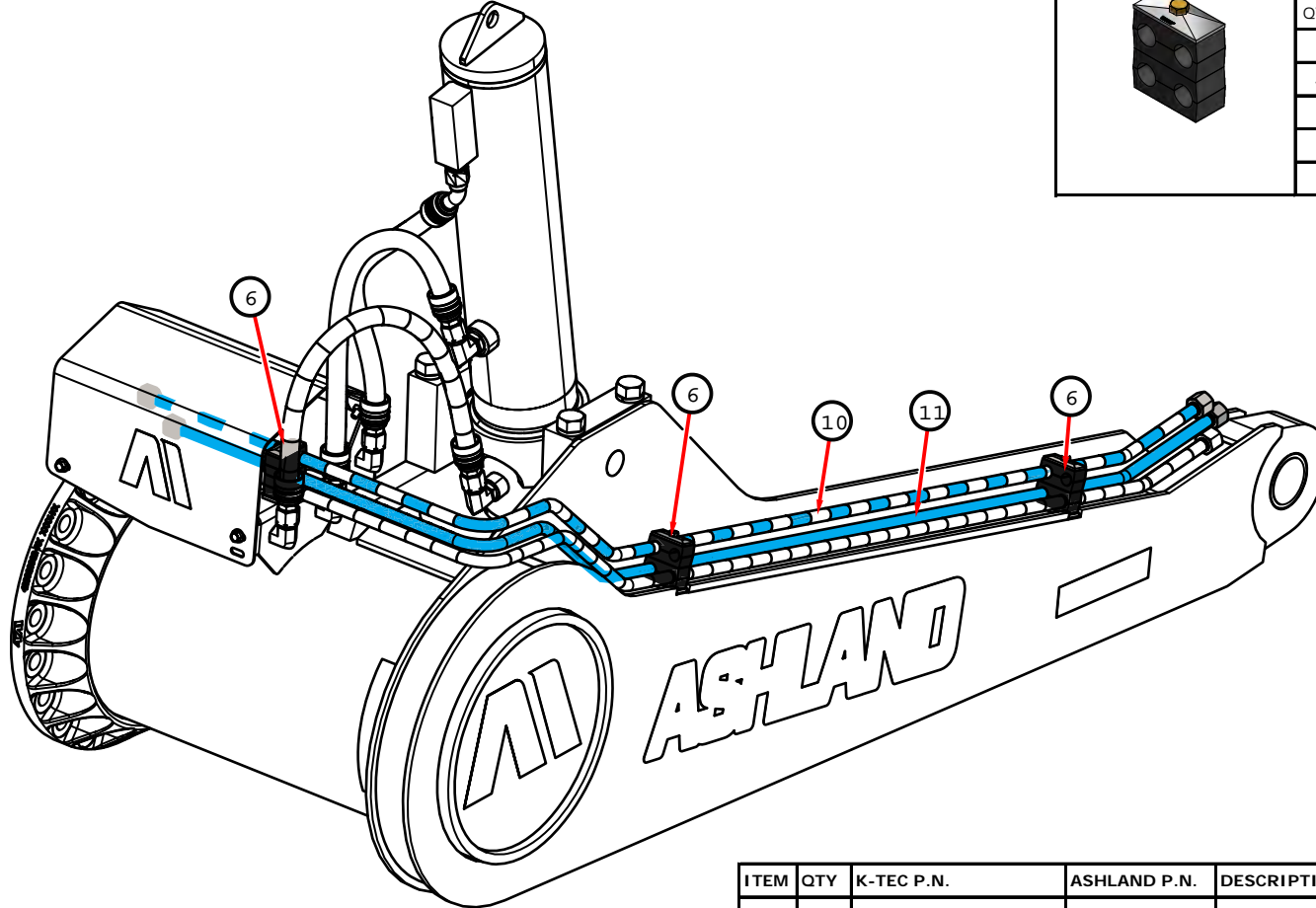


ITEM	QTY	K-TEC P.N.	ASHLAND P.N.	DESCRIPTION
1	1	4071_12mb_12mj	AHA-00041	ADAPTER MORB-12 X MJIC-12
2	1	4071_12mb_12mj90	AHA-00044	3/4" MJIC X 3/4" ORB 90 DEG. ADAPTOR
3	3	4071_12mj_12mj90_BH	AHA-00128	BULKHEAD 90 MJIC-12 X MJIC-12
4	3	4071_12mj_BH nut	AHA-00099	BULKHEAD NUT JIC 3/4"
5	1	4071_16mb_12mj90	AHA-00136	ELBOW ADAPTER 90 DEG. MORB-12 X MJIC 16
6	3	407610401	AHL-00022	DOUBLE STACK HARD LINE CLAMP ASSEMBLY (19MM)
7	1	424207032		HOSE - 12_5_032.00E_12FJX 12FJX
8	1	424207033		HOSE - 12_5_27.5_12FJX 12FJX
9	1	424207034		HOSE - 12_5_24.14_12FJX 12FJX45
10	1	426003631	400748	TUBE ASSEMBLY
11	1	426003632	400747	TUBE ASSEMBLY
12	1	426003633	400746	TUBE ASSEMBLY

SECTION 2.02

HYDRAULICS

2411-3413 TRAILING ARM, LEFT, APRON/GATE
(REAR/SINGLE)



KITS



407610401 Kit

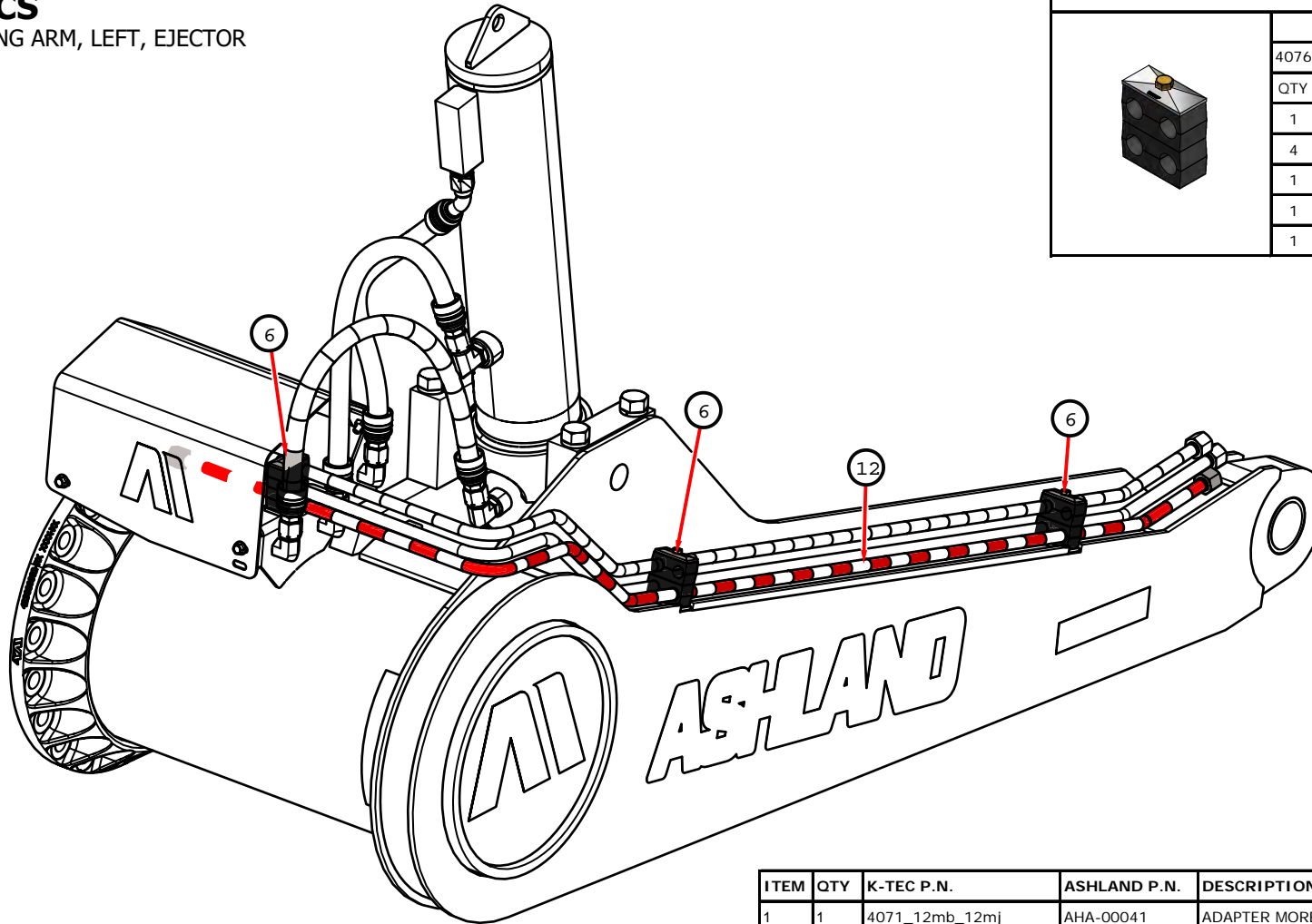
QTY	DESCRIPTION
1	Bolt Gr. 8 UNC 5/16" x 1-3/4"
4	Hose Clamp Half Twin 3D 19 mm
1	Twin Clamp Safety Locking Plate 2-3D
1	Stacking Bolt 5/16-18 UNC
1	Pipe Clamps DIN 3015, Cover Plate 3D

ITEM	QTY	K-TEC P.N.	ASHLAND P.N.	DESCRIPTION
1	1	4071_12mb_12mj	AHA-00041	ADAPTER MORB-12 X MJIC-12
2	1	4071_12mb_12mj90	AHA-00044	3/4" MJIC X 3/4" ORB 90 DEG. ADAPTOR
3	3	4071_12mj_12mj90_BH	AHA-00128	BULKHEAD 90 MJIC-12 X MJIC-12
4	3	4071_12mj_BH nut	AHA-00099	BULKHEAD NUT JIC 3/4"
5	1	4071_16mb_12mj90	AHA-00136	ELBOW ADAPTER 90 DEG. MORB-12 X MJIC 16
6	3	407610401	AHL-00022	DOUBLE STACK HARD LINE CLAMP ASSEMBLY (19MM)
7	1	424207032		HOSE - 12_5_032.00E_12FJX 12FJX
8	1	424207033		HOSE - 12_5_27.5_12FJX 12FJX
9	1	424207034		HOSE - 12_5_24.14_12FJX 12FJX45
10	1	426003631	400748	TUBE ASSEMBLY
11	1	426003632	400747	TUBE ASSEMBLY
12	1	426003633	400746	TUBE ASSEMBLY

SECTION 2.02

HYDRAULICS

2411-3413 TRAILING ARM, LEFT, EJECTOR
(REAR/SINGLE)



KITS



407610401 Kit

QTY DESCRIPTION

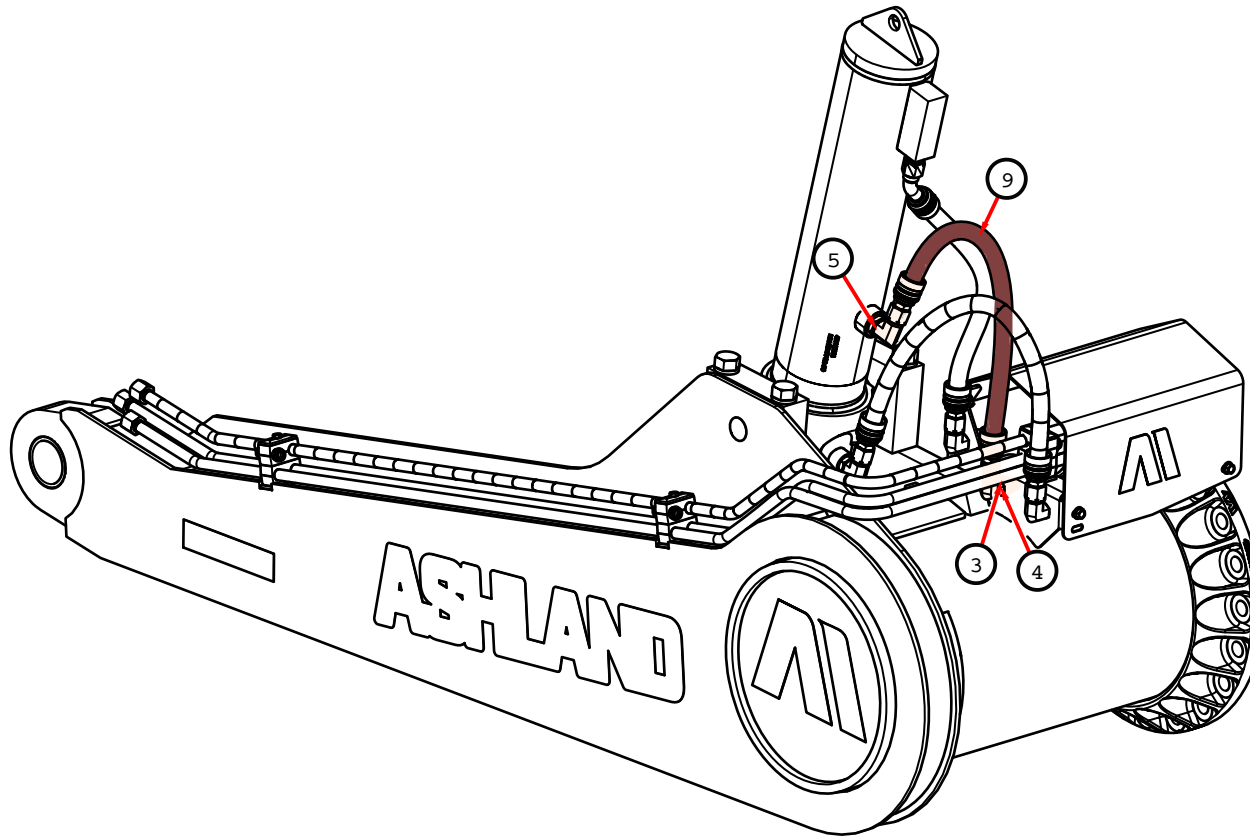
1	Bolt Gr. 8 UNC 5/16" x 1-3/4"
4	Hose Clamp Half Twin 3D 19 mm
1	Twin Clamp Safety Locking Plate 2-3D
1	Stacking Bolt 5/16-18 UNC
1	Pipe Clamps DIN 3015, Cover Plate 3D

ITEM	QTY	K-TEC P.N.	ASHLAND P.N.	DESCRIPTION
1	1	4071_12mb_12mj	AHA-00041	ADAPTER MORB-12 X MJIC-12
2	1	4071_12mb_12mj90	AHA-00044	3/4" MJIC X 3/4" ORB 90 DEG. ADAPTOR
3	3	4071_12mj_12mj90_BH	AHA-00128	BULKHEAD 90 MJIC-12 X MJIC-12
4	3	4071_12mj_BH nut	AHA-00099	BULKHEAD NUT JIC 3/4"
5	1	4071_16mb_12mj90	AHA-00136	ELBOW ADAPTER 90 DEG. MORB-12 X MJIC 16
6	3	407610401	AHL-00022	DOUBLE STACK HARD LINE CLAMP ASSEMBLY (19MM)
7	1	424207032		HOSE - 12_5_032.00E_12FJX 12FJX
8	1	424207033		HOSE - 12_5_27.5_12FJX 12FJX
9	1	424207034		HOSE - 12_5_24.14_12FJX 12FJX45
10	1	426003631	400748	TUBE ASSEMBLY
11	1	426003632	400747	TUBE ASSEMBLY
12	1	426003633	400746	TUBE ASSEMBLY

SECTION 2.01

HYDRAULICS

2411-3413 TRAILING ARM, RIGHT, CUSHION RIDE
(REAR/SINGLE)

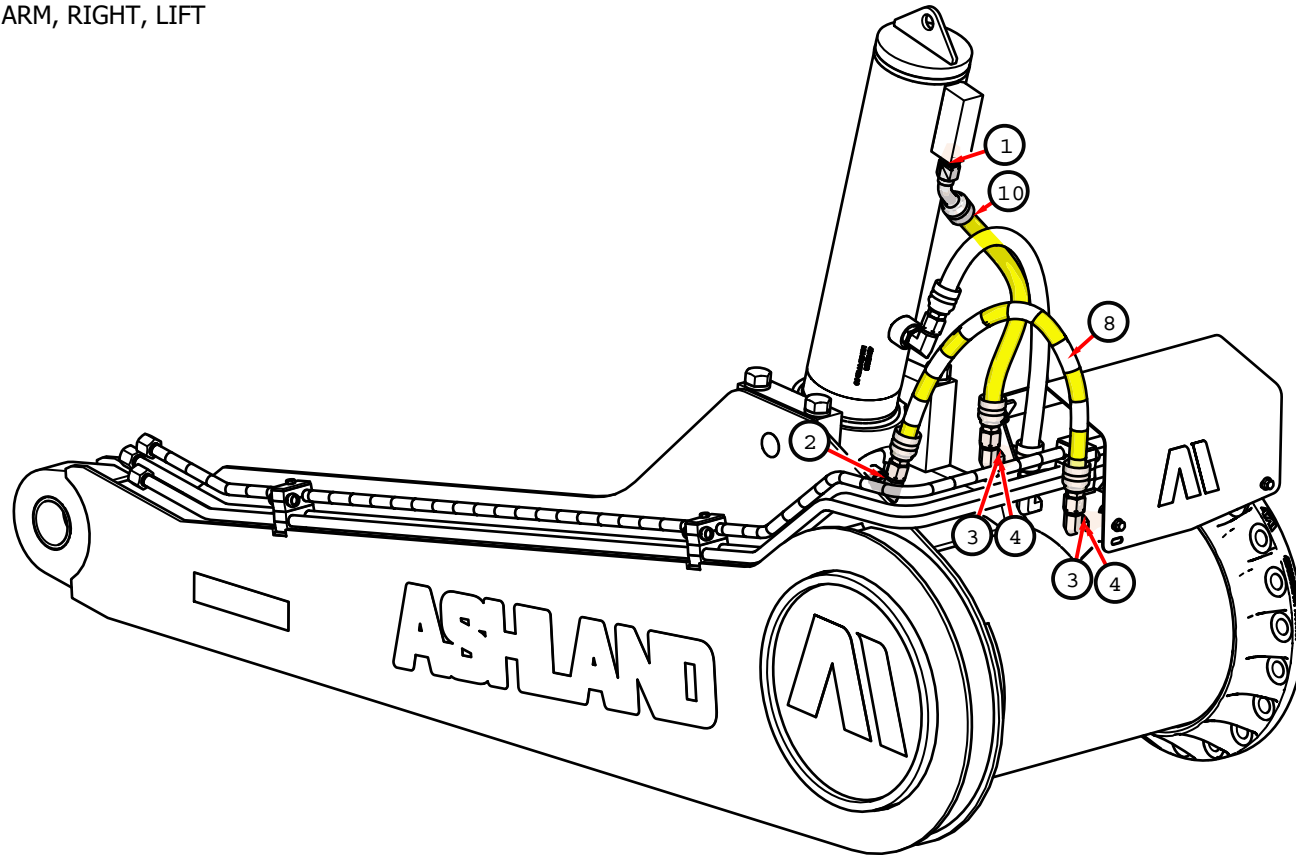


ITEM	QTY	K-TEC P.N.	ASHLAND P.N.	DESCRIPTION
1	1	4071_12mb_12mj	AHA-00041	ADAPTER MORB-12 X MJIC-12
2	1	4071_12mb_12mj90	AHA-00044	3/4" MJIC X 3/4" ORB 90 DEG. ADAPTOR
3	3	4071_12mj_12mj90_BH	AHA-00128	BULKHEAD 90 MJIC-12 X MJIC-12
4	3	4071_12mj_BH nut	AHA-00099	BULKHEAD NUT JIC 3/4"
5	1	4071_16mb_12mj90	AHA-00136	ELBOW ADAPTER 90 DEG. MORB-12 X MJIC 16
6	3	4076_CS_0750		WIRE HARNESS PASS THROUGH
7	3	407610401	AHL-00022	DOUBLE STACK HARD LINE CLAMP ASSEMBLY (19MM)
8	1	424207032		HOSE - 12_5_032.00E_12FJX 12FJX
9	1	424207033		HOSE - 12_5_27.5_12FJX 12FJX
10	1	424207034		HOSE - 12_5_24.14_12FJX 12FJX45
11	1	426003628	400757	TUBE ASSEMBLY
12	1	426003629	400756	TUBE ASSEMBLY
13	1	426003630	400755	TUBE ASSEMBLY

SECTION 2.02

HYDRAULICS

2411-3413 TRAILING ARM, RIGHT, LIFT
(REAR/SINGLE)

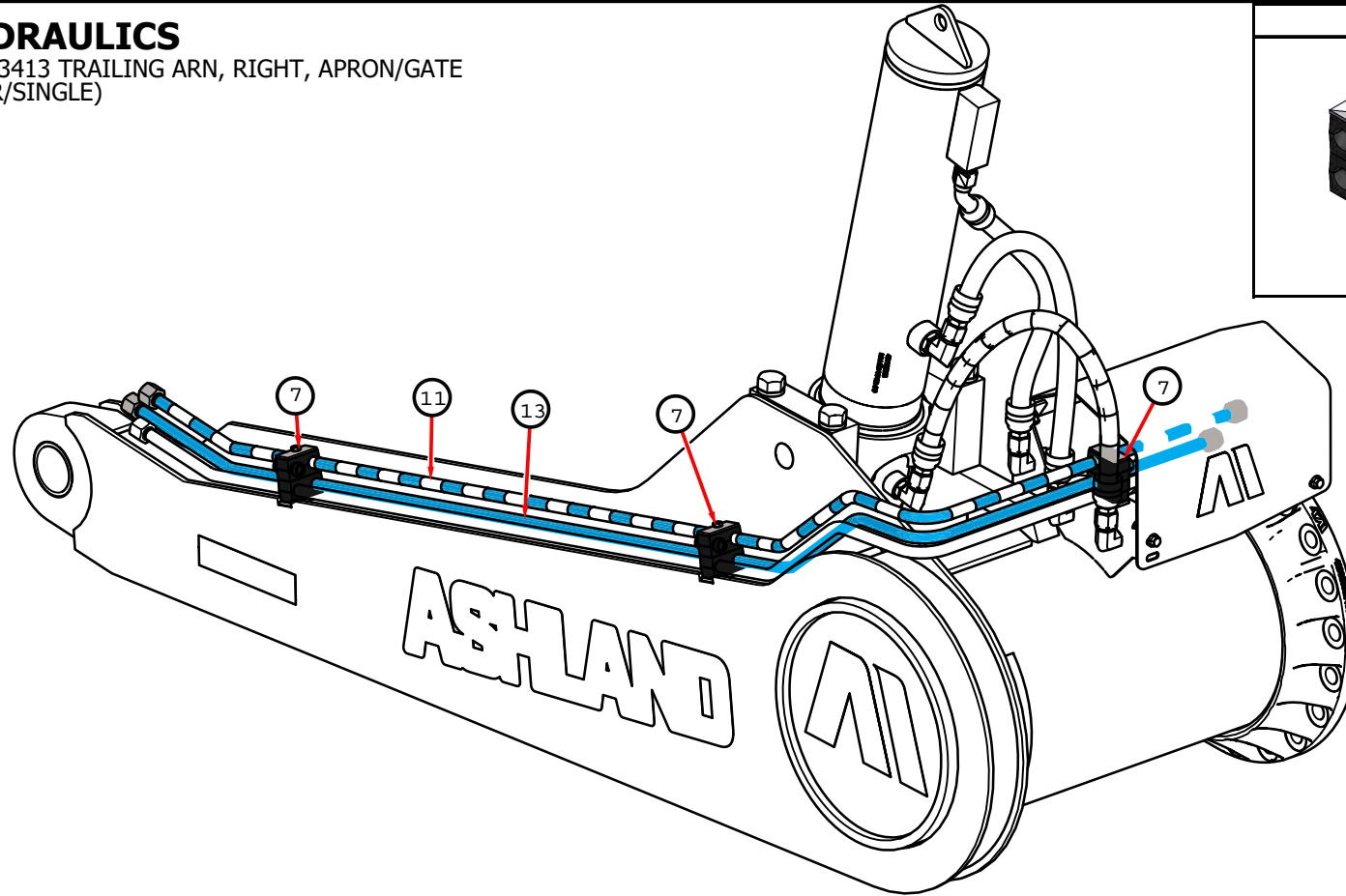


ITEM	QTY	K-TEC P.N.	ASHLAND P.N.	DESCRIPTION
1	1	4071_12mb_12mj	AHA-00041	ADAPTER MORB-12 X MJIC-12
2	1	4071_12mb_12mj90	AHA-00044	3/4" MJIC X 3/4" ORB 90 DEG. ADAPTOR
3	3	4071_12mj_12mj90_BH	AHA-00128	BULKHEAD 90 MJIC-12 X MJIC-12
4	3	4071_12mj_BH nut	AHA-00099	BULKHEAD NUT JIC 3/4"
5	1	4071_16mb_12mj90	AHA-00136	ELBOW ADAPTER 90 DEG. MORB-12 X MJIC 16
6	3	4076_CS_0750		WIRE HARNESS PASS THROUGH
7	3	407610401	AHL-00022	DOUBLE STACK HARD LINE CLAMP ASSEMBLY (19MM)
8	1	424207032		HOSE - 12_5_032.00E_12FJX 12FJX
9	1	424207033		HOSE - 12_5_27.5_12FJX 12FJX
10	1	424207034		HOSE - 12_5_24.14_12FJX 12FJX45
11	1	426003628	400757	TUBE ASSEMBLY
12	1	426003629	400756	TUBE ASSEMBLY
13	1	426003630	400755	TUBE ASSEMBLY

SECTION 2.02

HYDRAULICS

2411-3413 TRAILING ARN, RIGHT, APRON/GATE
(REAR/SINGLE)



KITS



407610401 Kit

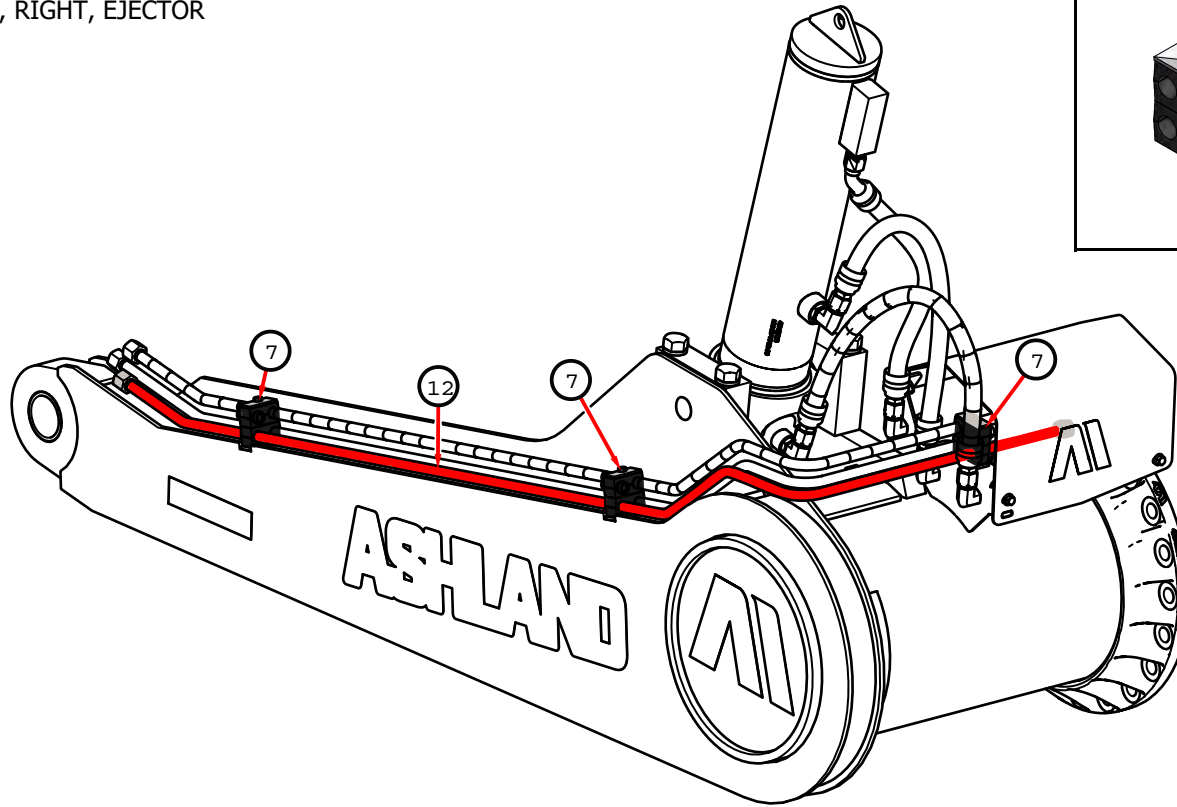
QTY	DESCRIPTION
1	Bolt Gr. 8 UNC 5/16" x 1-3/4"
4	Hose Clamp Half Twin 3D 19 mm
1	Twin Clamp Safety Locking Plate 2-3D
1	Stacking Bolt 5/16-18 UNC
1	Pipe Clamps DIN 3015, Cover Plate 3D

ITEM	QTY	K-TEC P.N.	ASHLAND P.N.	DESCRIPTION
1	1	4071_12mb_12mj	AHA-00041	ADAPTER MORB-12 X MJIC-12
2	1	4071_12mb_12mj90	AHA-00044	3/4" MJIC X 3/4" ORB 90 DEG. ADAPTOR
3	3	4071_12mj_12mj90_BH	AHA-00128	BULKHEAD 90 MJIC-12 X MJIC-12
4	3	4071_12mj_BH nut	AHA-00099	BULKHEAD NUT JIC 3/4"
5	1	4071_16mb_12mj90	AHA-00136	ELBOW ADAPTER 90 DEG. MORB-12 X MJIC 16
6	3	4076_CS_0750		WIRE HARNESS PASS THROUGH
7	3	407610401	AHL-00022	DOUBLE STACK HARD LINE CLAMP ASSEMBLY (19MM)
8	1	424207032		HOSE - 12_5_032.00E_12FJX 12FJX
9	1	424207033		HOSE - 12_5_27.5_12FJX 12FJX
10	1	424207034		HOSE - 12_5_24.14_12FJX 12FJX45
11	1	426003628	400757	TUBE ASSEMBLY
12	1	426003629	400756	TUBE ASSEMBLY
13	1	426003630	400755	TUBE ASSEMBLY

SECTION 2.02

HYDRAULICS

2411-3413 TRAILING ARN, RIGHT, EJECTOR
(REAR/SINGLE)



KITS



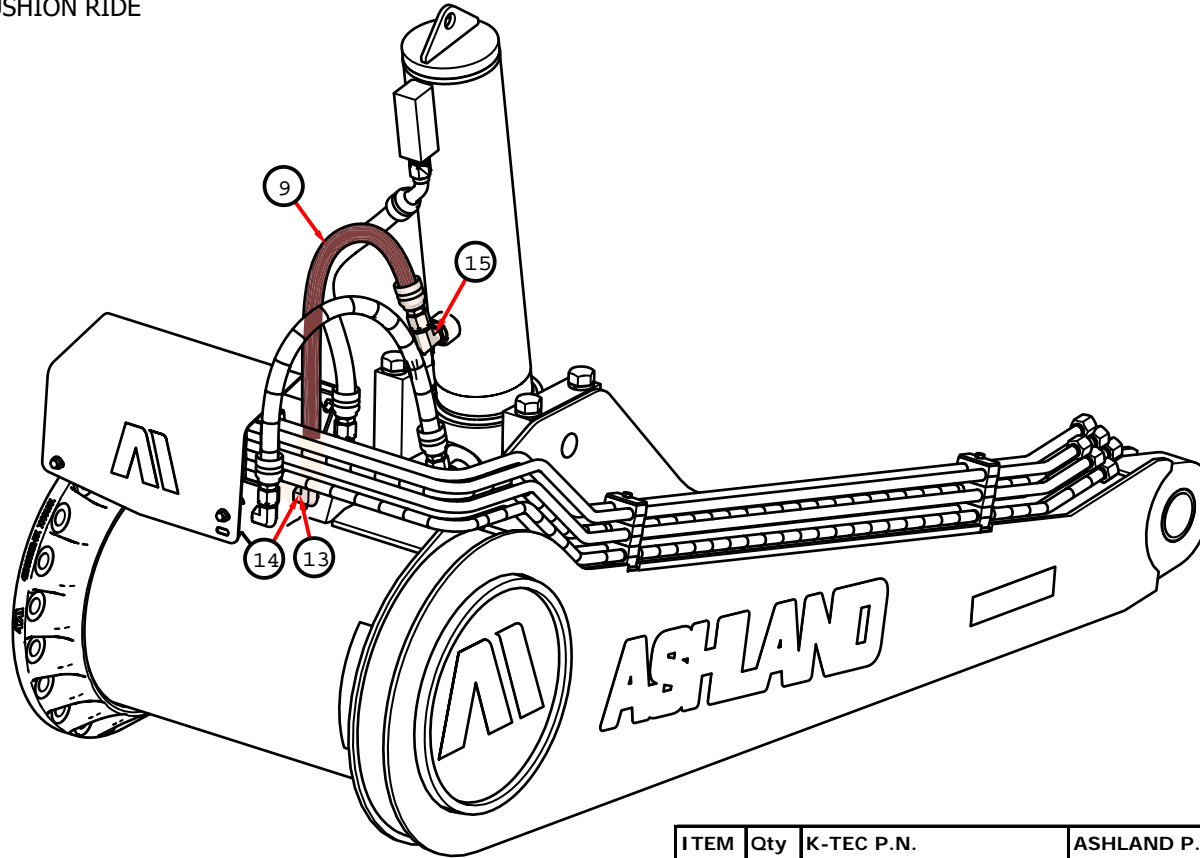
407610401 Kit

QTY	DESCRIPTION
1	Bolt Gr. 8 UNC 5/16" x 1-3/4"
4	Hose Clamp Half Twin 3D 19 mm
1	Twin Clamp Safety Locking Plate 2-3D
1	Stacking Bolt 5/16-18 UNC
1	Pipe Clamps DIN 3015, Cover Plate 3D

ITEM	QTY	K-TEC P.N.	ASHLAND P.N.	DESCRIPTION
1	1	4071_12mb_12mj	AHA-00041	ADAPTER MORB-12 X MJIC-12
2	1	4071_12mb_12mj90	AHA-00044	3/4" MJIC X 3/4" ORB 90 DEG. ADAPTOR
3	3	4071_12mj_12mj90_BH	AHA-00128	BULKHEAD 90 MJIC-12 X MJIC-12
4	3	4071_12mj_BH nut	AHA-00099	BULKHEAD NUT JIC 3/4"
5	1	4071_16mb_12mj90	AHA-00136	ELBOW ADAPTER 90 DEG. MORB-12 X MJIC 16
6	3	4076_CS_0750		WIRE HARNESS PASS THROUGH
7	3	407610401	AHL-00022	DOUBLE STACK HARD LINE CLAMP ASSEMBLY (19MM)
8	1	424207032		HOSE - 12_5_032.00E_12FJX 12FJX
9	1	424207033		HOSE - 12_5_27.5_12FJX 12FJX
10	1	424207034		HOSE - 12_5_24.14_12FJX 12FJX45
11	1	426003628	400757	TUBE ASSEMBLY
12	1	426003629	400756	TUBE ASSEMBLY
13	1	426003630	400755	TUBE ASSEMBLY

SECTION 2.02

HYDRAULICS²⁴¹¹⁻²⁸¹¹ TRAILING ARM, LEFT, CUSHION RIDE (FRONT/LEAD)

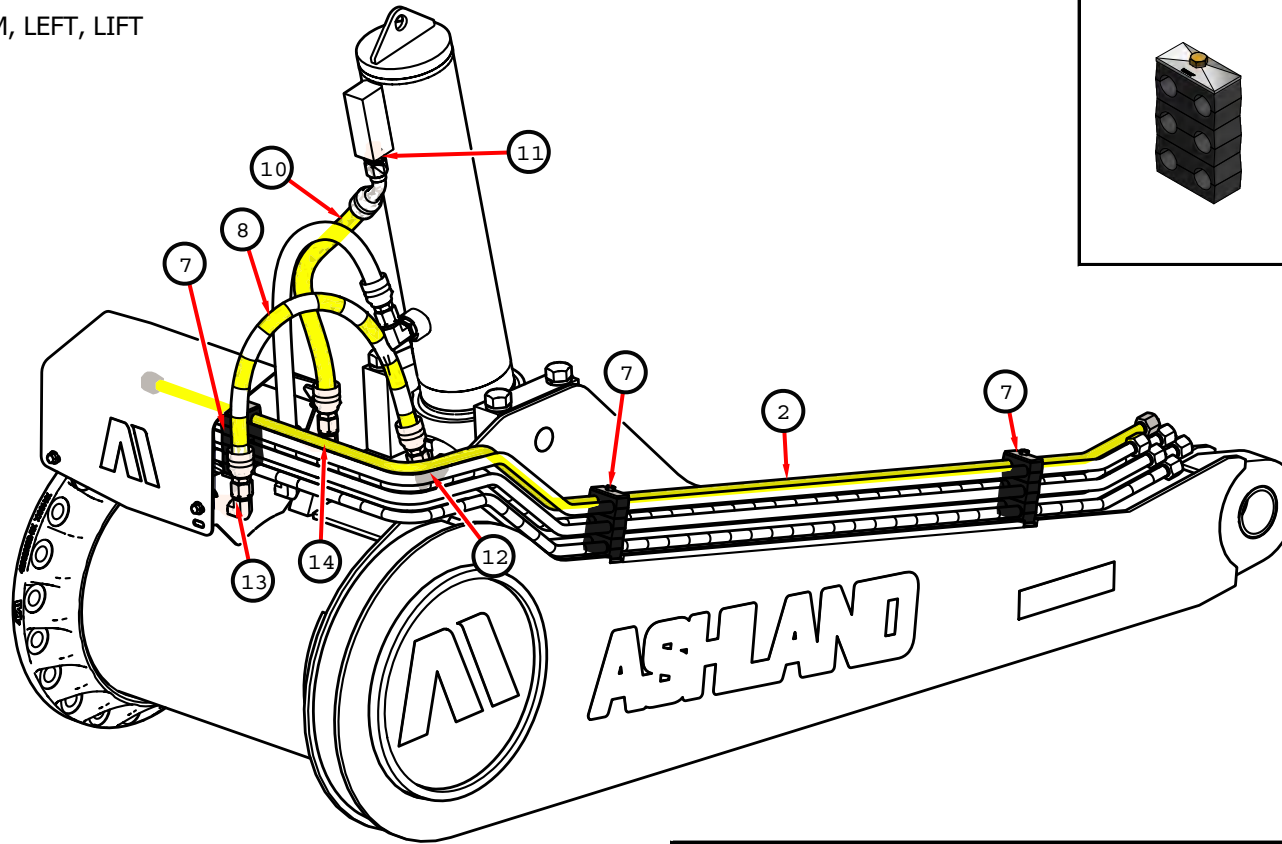


ITEM	Qty	K-TEC P.N.	ASHLAND P.N.	DESCRIPTION
1	1	426002041		TUBE ASSEMBLY
2	1	426002042	400779	TUBE ASSEMBLY
3	1	426002043	400780	TUBE ASSEMBLY
4	1	426003631	400748	TUBE ASSEMBLY
5	1	426003632	400747	TUBE ASSEMBLY
6	1	426003633	400746	TUBE ASSEMBLY
7	3	407610402	600516	TRIPLE STACK CLAMP ASSEMBLY (19 MM)
8	1	424207032		HOSE - 12_5_032.00E_12FJX 12FJX
9	1	424207033		HOSE - 12_5_27.5_12FJX 12FJX
10	1	424207034		HOSE - 12_5_24.14_12FJX 12FJX45
11	1	4071_12mb_12mj	AHA-00041	ADAPTER MORB-12 X MJIC-12
12	1	4071_12mb_12mj90	AHA-00044	3/4" MJIC X 3/4" ORB 90 DEG. ADAPTOR
13	3	4071_12mj_12mj90_BH	AHA-00128	BULKHEAD 90 MJIC-12 X MJIC-12
14	3	4071_12mj_BH nut	AHA-00099	BULKHEAD NUT JIC 3/4"
15	1	4071_16mb_12mj90	AHA-00136	ELBOW ADAPTER 90 DEG. MORB-12 X MJIC 16

SECTION 2.02

HYDRAULICS

2411-2811 TRAILING ARM, LEFT, LIFT
(FRONT/LEAD)



KITS



407610402 Kit

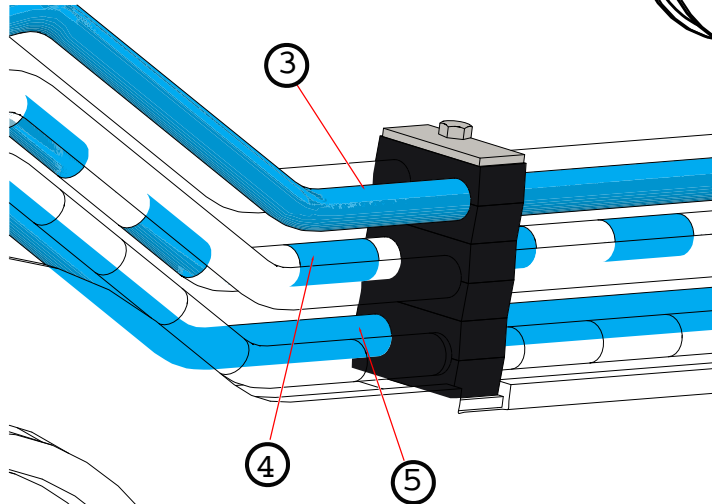
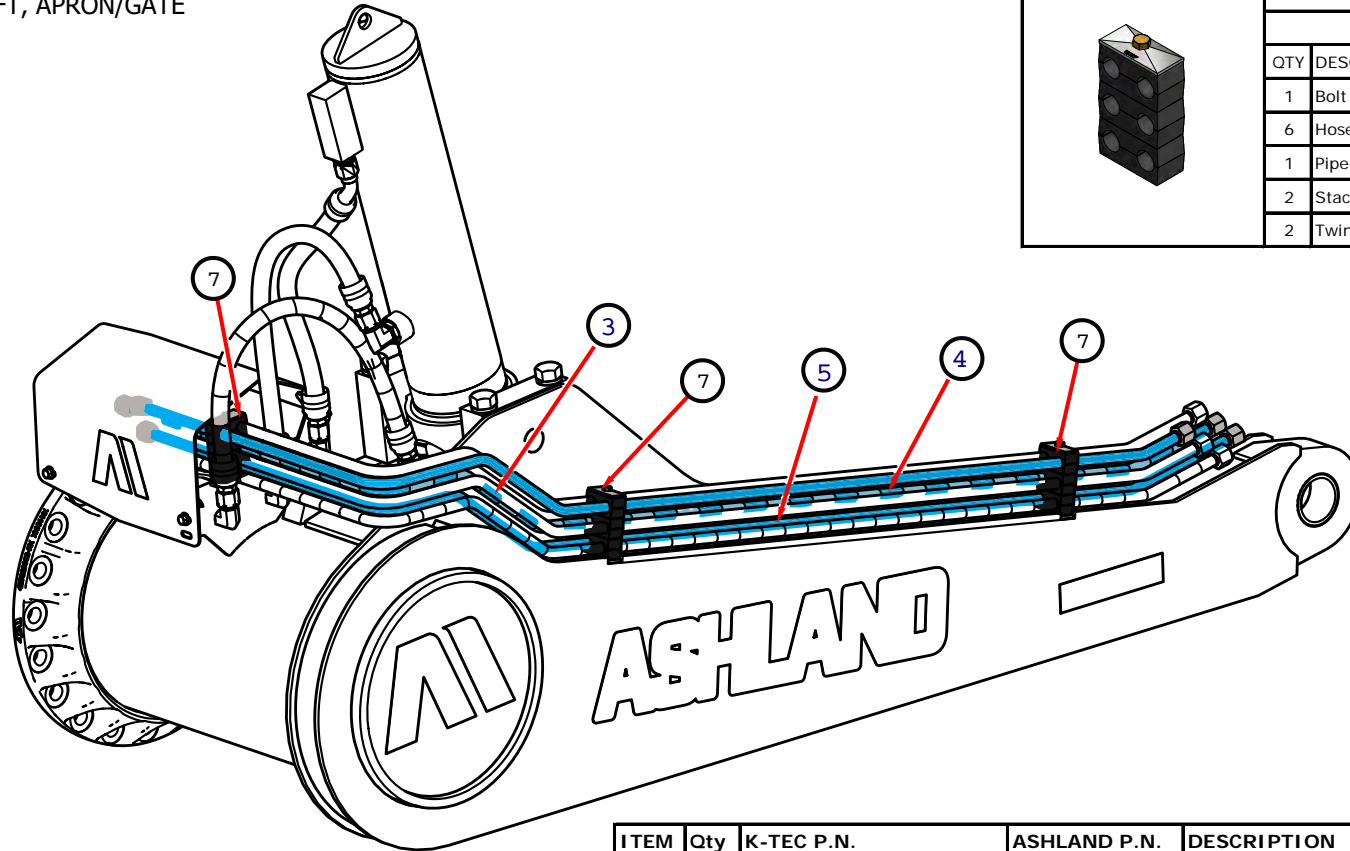
QTY	DESCRIPTION
1	Bolt Gr. 8 UNC 5/16" x 1-3/4"
6	Hose Clamp Half Twin 3D 19 mm
1	Pipe Clamps DIN 3015, Cover Plate 3D
2	Stacking Bolt 5/16-18 UNC
2	Twin Clamp Safety Locking Plate 2-3D

ITEM	Qty	K-TEC P.N.	ASHLAND P.N.	DESCRIPTION
1	1	426002041		TUBE ASSEMBLY
2	1	426002042	400779	TUBE ASSEMBLY
3	1	426002043	400780	TUBE ASSEMBLY
4	1	426003631	400748	TUBE ASSEMBLY
5	1	426003632	400747	TUBE ASSEMBLY
6	1	426003633	400746	TUBE ASSEMBLY
7	3	407610402	600516	TRIPLE STACK CLAMP ASSEMBLY (19 MM)
8	1	424207032		HOSE - 12_5_032.00E_12FJX 12FJX
9	1	424207033		HOSE - 12_5_27.5_12FJX 12FJX
10	1	424207034		HOSE - 12_5_24.14_12FJX 12FJX45
11	1	4071_12mb_12mj	AHA-00041	ADAPTER MORB-12 X MJIC-12
12	1	4071_12mb_12mj90	AHA-00044	3/4" MJIC X 3/4" ORB 90 DEG. ADAPTOR
13	3	4071_12mj_12mj90_BH	AHA-00128	BULKHEAD 90 MJIC-12 X MJIC-12
14	3	4071_12mj_BH nut	AHA-00099	BULKHEAD NUT JIC 3/4"
15	1	4071_16mb_12mj90	AHA-00136	ELBOW ADAPTER 90 DEG. MORB-12 X MJIC 16

SECTION 2.02

HYDRAULICS

2411-2811 TRAILING ARM, LEFT, APRON/GATE
(FRONT/LEAD)



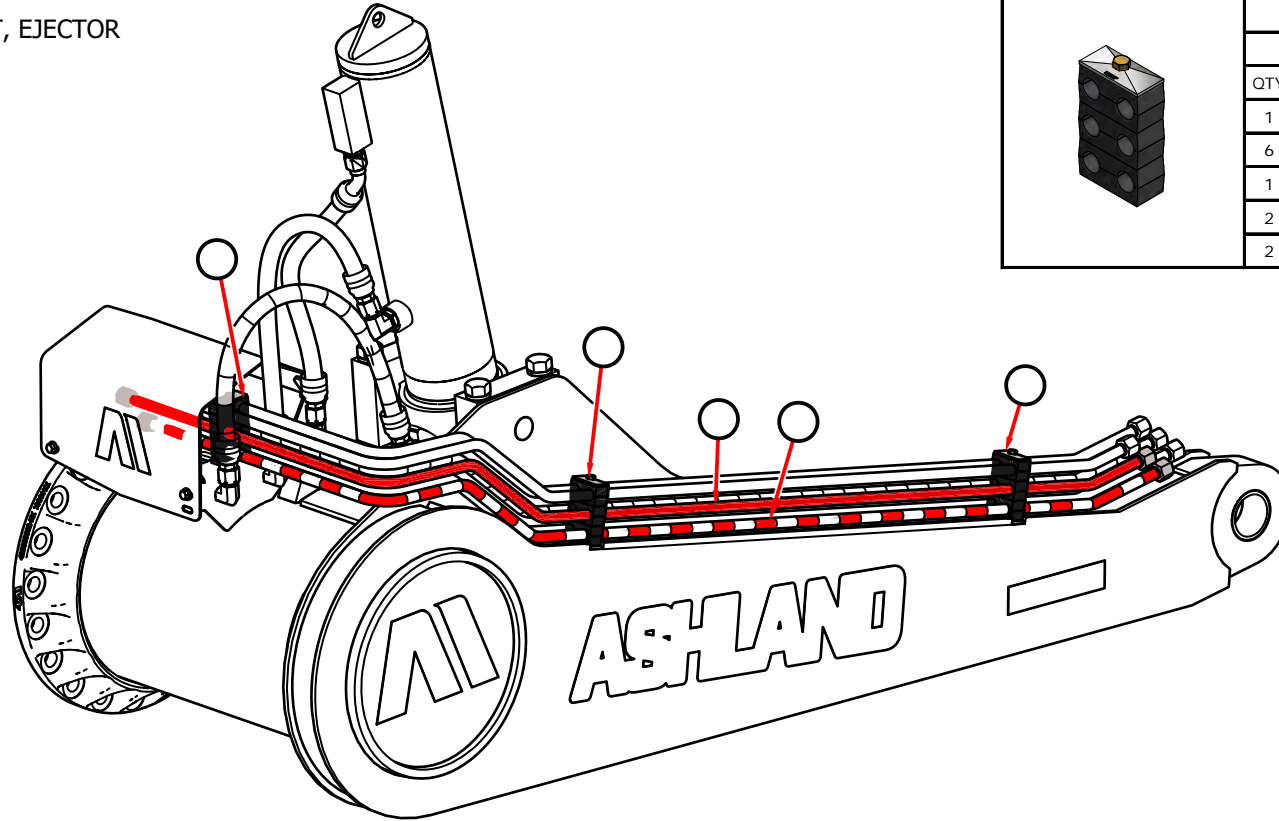
KITS	
407610402 Kit	
QTY	DESCRIPTION
1	Bolt Gr. 8 UNC 5/16" x 1-3/4"
6	Hose Clamp Half Twin 3D 19 mm
1	Pipe Clamps DIN 3015, Cover Plate 3D
2	Stacking Bolt 5/16-18 UNC
2	Twin Clamp Safety Locking Plate 2-3D

ITEM	Qty	K-TEC P.N.	ASHLAND P.N.	DESCRIPTION
1	1	426002041		TUBE ASSEMBLY
2	1	426002042	400779	TUBE ASSEMBLY
3	1	426002043	400780	TUBE ASSEMBLY
4	1	426003631	400748	TUBE ASSEMBLY
5	1	426003632	400747	TUBE ASSEMBLY
6	1	426003633	400746	TUBE ASSEMBLY
7	3	407610402	600516	TRIPLE STACK CLAMP ASSEMBLY (19 MM)
8	1	424207032		HOSE - 12_5_032.00E_12FJX 12FJX
9	1	424207033		HOSE - 12_5_27.5_12FJX 12FJX
10	1	424207034		HOSE - 12_5_24.14_12FJX 12FJX45
11	1	4071_12mb_12mj	AHA-00041	ADAPTER MORB-12 X MJIC-12
12	1	4071_12mb_12mj90	AHA-00044	3/4" MJIC X 3/4" ORB 90 DEG. ADAPTOR
13	3	4071_12mj_12mj90_BH	AHA-00128	BULKHEAD 90 MJIC-12 X MJIC-12
14	3	4071_12mj_BH nut	AHA-00099	BULKHEAD NUT JIC 3/4"
15	1	4071_16mb_12mj90	AHA-00136	ELBOW ADAPTER 90 DEG. MORB-12 X MJIC 16

SECTION 2.02

HYDRAULICS

2411-2811 TRAILING ARM, LEFT, EJECTOR
(FRONT/LEAD)



KITS



407610402 Kit

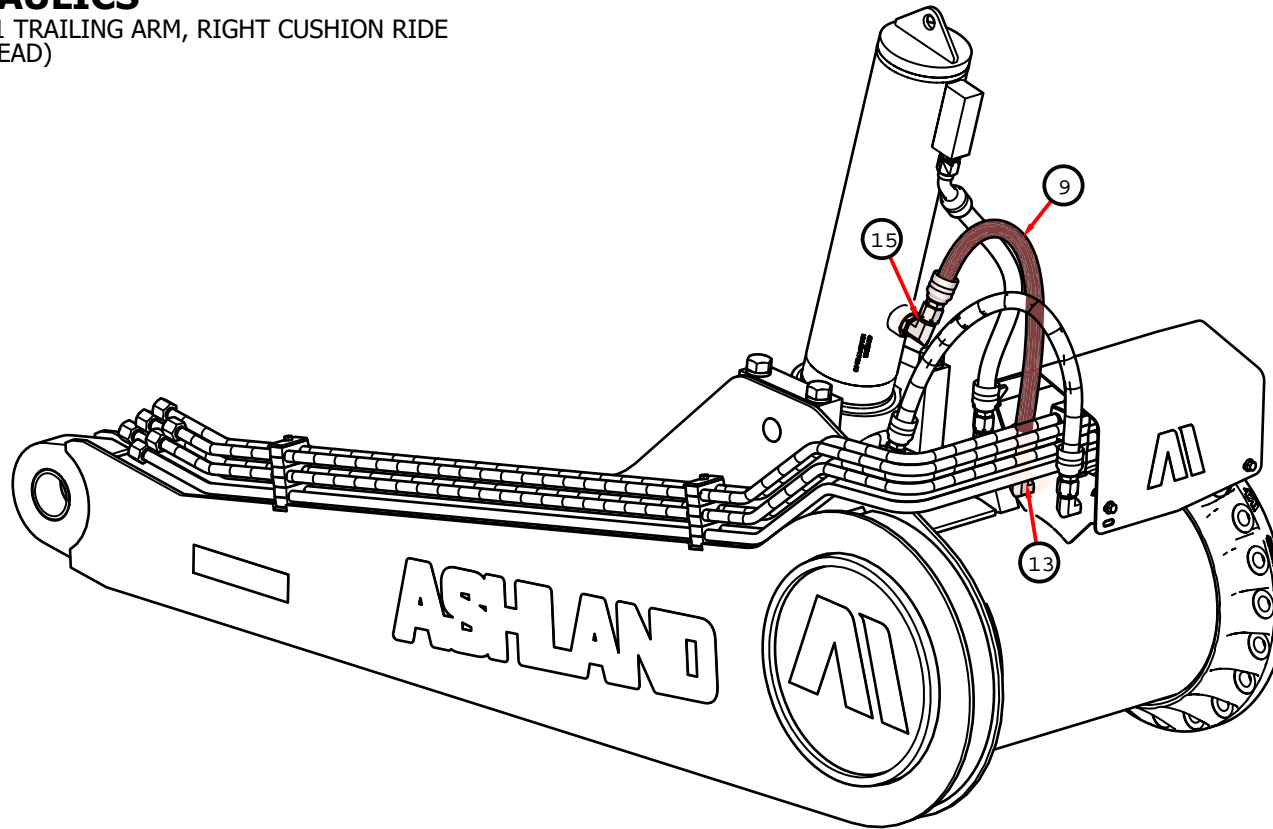
QTY	DESCRIPTION
1	Bolt Gr. 8 UNC 5/16" x 1-3/4"
6	Hose Clamp Half Twin 3D 19 mm
1	Pipe Clamps DIN 3015, Cover Plate 3D
2	Stacking Bolt 5/16-18 UNC
2	Twin Clamp Safety Locking Plate 2-3D

ITEM	QTY	K-TEC P.N.	ASHLAND P.N.	DESCRIPTION
1	1	426002041		TUBE ASSEMBLY
2	1	426002042	400779	TUBE ASSEMBLY
3	1	426002043	400780	TUBE ASSEMBLY
4	1	426003631	400748	TUBE ASSEMBLY
5	1	426003632	400747	TUBE ASSEMBLY
6	1	426003633	400746	TUBE ASSEMBLY
7	3	407610402	600516	TRIPLE STACK CLAMP ASSEMBLY (19 MM)
8	1	424207032		HOSE - 12_5_032.00E_12FJX 12FJX
9	1	424207033		HOSE - 12_5_27.5_12FJX 12FJX
10	1	424207034		HOSE - 12_5_24.14_12FJX 12FJX45
11	1	4071_12mb_12mj	AHA-00041	ADAPTER MORB-12 X MJIC-12
12	1	4071_12mb_12mj90	AHA-00044	3/4" MJIC X 3/4" ORB 90 DEG. ADAPTOR
13	3	4071_12mj_12mj90_BH	AHA-00128	BULKHEAD 90 MJIC-12 X MJIC-12
14	3	4071_12mj_BH nut	AHA-00099	BULKHEAD NUT JIC 3/4"
15	1	4071_16mb_12mj90	AHA-00136	ELBOW ADAPTER 90 DEG. MORB-12 X MJIC 16

SECTION 2.02

HYDRAULICS

2411-2811 TRAILING ARM, RIGHT CUSHION RIDE
(FRONT/LEAD)

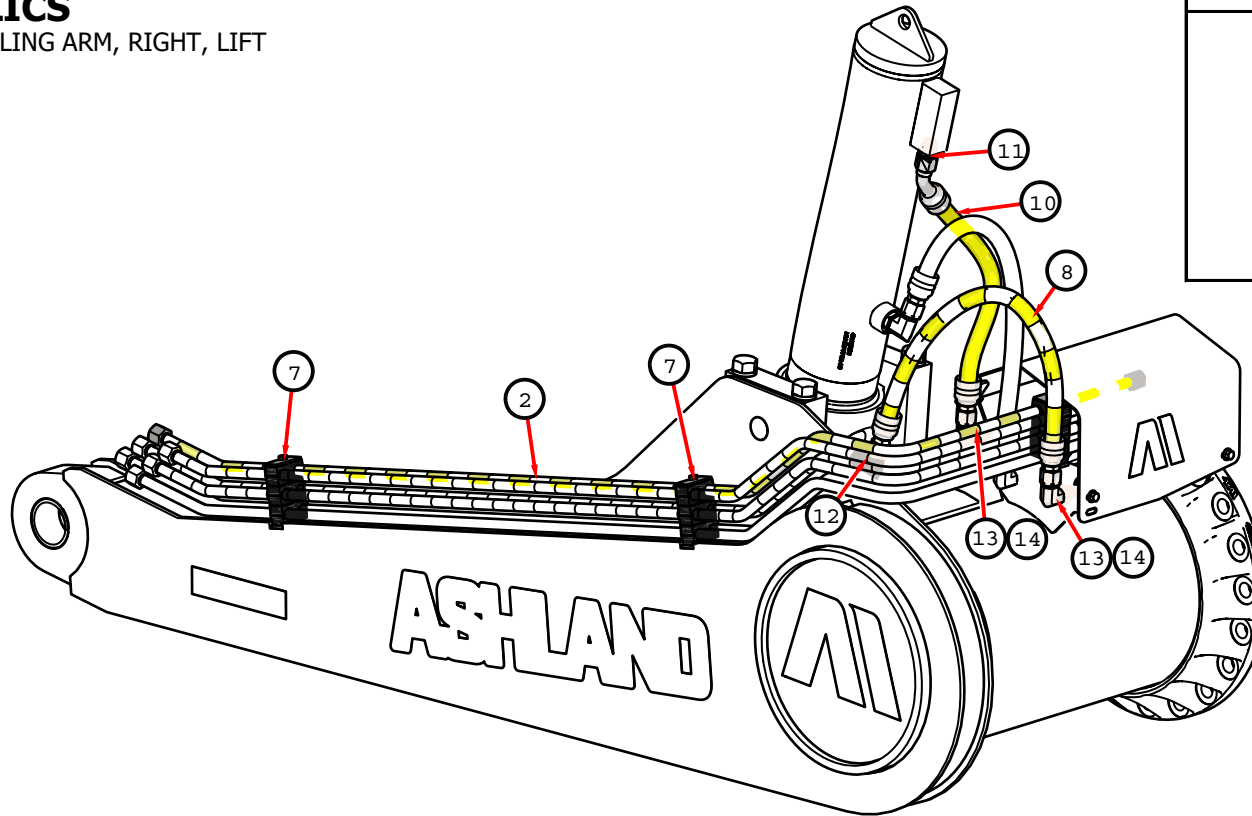


ITEM	QTY	K-TEC P.N.	ASHLAND P.N.	DESCRIPTION
1	1	426002038		TUBE ASSEMBLY
2	1	426002039		TUBE ASSEMBLY
3	1	426002040		TUBE ASSEMBLY
4	1	426003628	400757	TUBE ASSEMBLY
5	1	426003629	400756	TUBE ASSEMBLY
6	1	426003630	400755	TUBE ASSEMBLY
7	3	407610402	600516	TRIPLE STACK CLAMP ASSEMBLY (19 MM)
8	1	424207032		HOSE - 12_5_032.00E_12FJX 12FJX
9	1	424207033		HOSE - 12_5_27.5_12FJX 12FJX
10	1	424207034		HOSE - 12_5_24.14_12FJX 12FJX45
11	1	4071_12mb_12mj	AHA-00041	ADAPTER MORB-12 X MJIC-12
12	1	4071_12mb_12mj90	AHA-00044	3/4" MJIC X 3/4" ORB 90 DEG. ADAPTOR
13	3	4071_12mj_12mj90_BH	AHA-00128	BULKHEAD 90 MJIC-12 X MJIC-12
14	3	4071_12mj_BH nut	AHA-00099	BULKHEAD NUT JIC 3/4"
15	1	4071_16mb_12mj90	AHA-00136	ELBOW ADAPTER 90 DEG. MORB-12 X MJIC

SECTION 2.02

HYDRAULICS

2411-2811 TRAILING ARM, RIGHT, LIFT
(FRONT/LEAD)



KITS



407610402 Kit

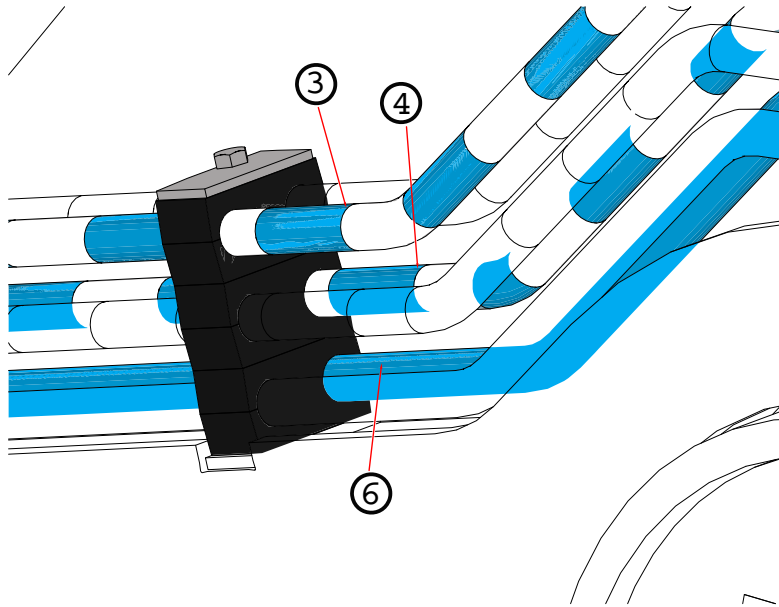
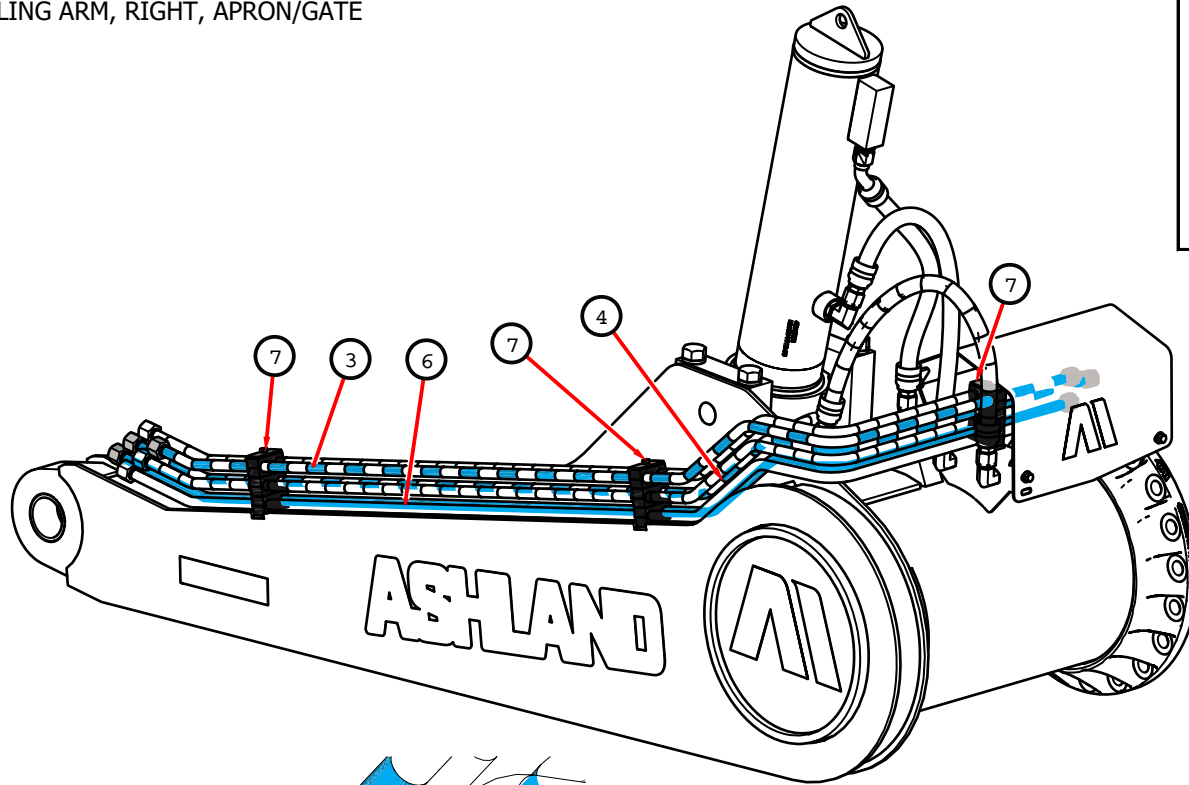
QTY	DESCRIPTION
1	Bolt Gr. 8 UNC 5/16" x 1-3/4"
6	Hose Clamp Half Twin 3D 19 mm
1	Pipe Clamps DIN 3015, Cover Plate 3D
2	Stacking Bolt 5/16-18 UNC
2	Twin Clamp Safety Locking Plate 2-3D

ITEM	QTY	K-TEC P.N.	ASHLAND P.N.	DESCRIPTION
1	1	426002038		TUBE ASSEMBLY
2	1	426002039		TUBE ASSEMBLY
3	1	426002040		TUBE ASSEMBLY
4	1	426003628	400757	TUBE ASSEMBLY
5	1	426003629	400756	TUBE ASSEMBLY
6	1	426003630	400755	TUBE ASSEMBLY
7	3	407610402	600516	TRIPLE STACK CLAMP ASSEMBLY (19 MM)
8	1	424207032		HOSE - 12_5_032.00E_12FJX 12FJX
9	1	424207033		HOSE - 12_5_27.5_12FJX 12FJX
10	1	424207034		HOSE - 12_5_24.14_12FJX 12FJX45
11	1	4071_12mb_12mj	AHA-00041	ADAPTER MORB-12 X MJIC-12
12	1	4071_12mb_12mj90	AHA-00044	3/4" MJIC X 3/4" ORB 90 DEG. ADAPTOR
13	3	4071_12mj_12mj90_BH	AHA-00128	BULKHEAD 90 MJIC-12 X MJIC-12
14	3	4071_12mj_BH nut	AHA-00099	BULKHEAD NUT JIC 3/4"
15	1	4071_16mb_12mj90	AHA-00136	ELBOW ADAPTER 90 DEG. MORB-12 X MJIC

SECTION 2.02

HYDRAULICS

2411-2811 TRAILING ARM, RIGHT, APRON/GATE
(FRONT/LEAD)



KITS



407610402 Kit

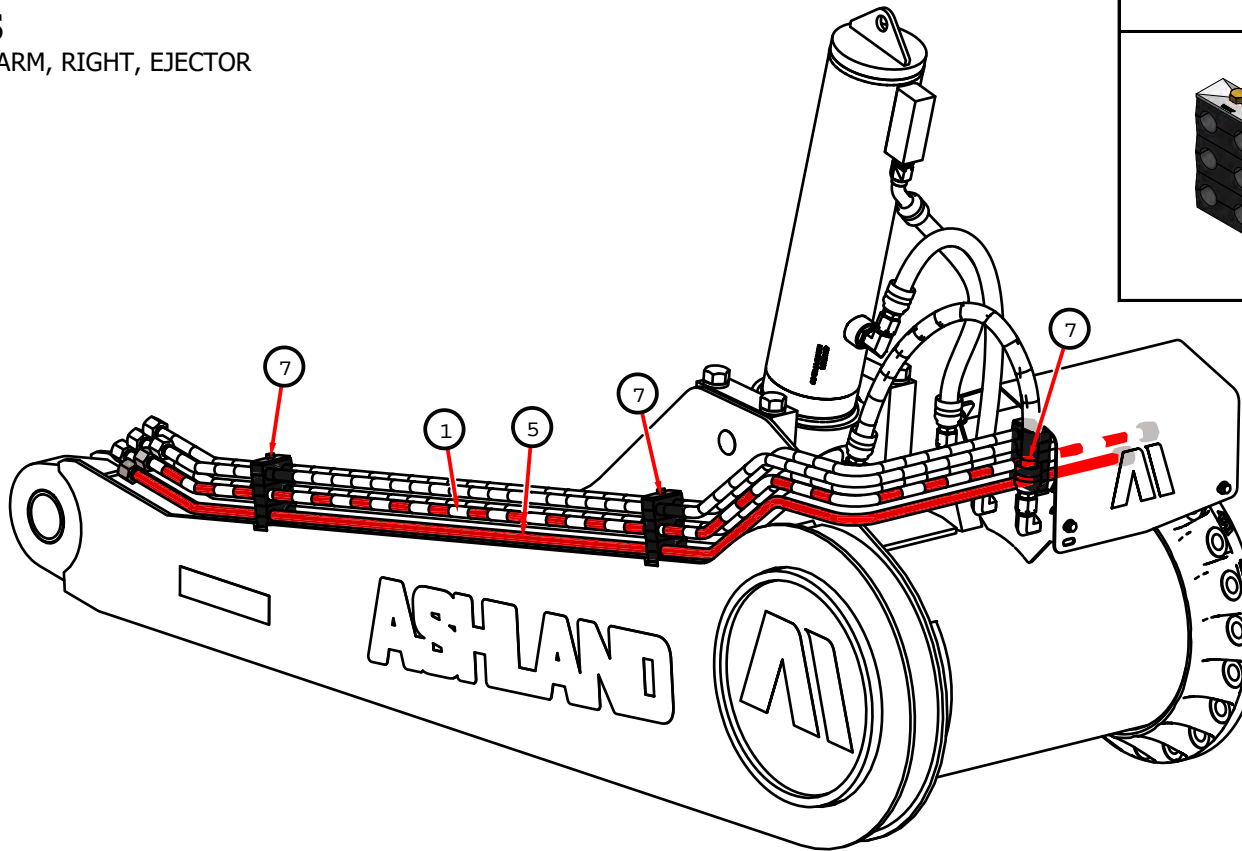
QTY	DESCRIPTION
1	Bolt Gr. 8 UNC 5/16" x 1-3/4"
6	Hose Clamp Half Twin 3D 19 mm
1	Pipe Clamps DIN 3015, Cover Plate 3D
2	Stacking Bolt 5/16-18 UNC
2	Twin Clamp Safety Locking Plate 2-3D

ITEM	QTY	K-TEC P.N.	ASHLAND P.N.	DESCRIPTION
1	1	426002038		TUBE ASSEMBLY
2	1	426002039		TUBE ASSEMBLY
3	1	426002040		TUBE ASSEMBLY
4	1	426003628	400757	TUBE ASSEMBLY
5	1	426003629	400756	TUBE ASSEMBLY
6	1	426003630	400755	TUBE ASSEMBLY
7	3	407610402	600516	TRIPLE STACK CLAMP ASSEMBLY (19 MM)
8	1	424207032		HOSE - 12_5_032.00E_12FJX 12FJX
9	1	424207033		HOSE - 12_5_27.5_12FJX 12FJX
10	1	424207034		HOSE - 12_5_24.14_12FJX 12FJX45
11	1	4071_12mb_12mj	AHA-00041	ADAPTER MORB-12 X MJIC-12
12	1	4071_12mb_12mj90	AHA-00044	3/4" MJIC X 3/4" ORB 90 DEG. ADAPTOR
13	3	4071_12mj_12mj90_BH	AHA-00128	BULKHEAD 90 MJIC-12 X MJIC-12
14	3	4071_12mj_BH nut	AHA-00099	BULKHEAD NUT JIC 3/4"
15	1	4071_16mb_12mj90	AHA-00136	ELBOW ADAPTER 90 DEG. MORB-12 X MJIC

SECTION 2.02

HYDRAULICS

2411-2811 TRAILING ARM, RIGHT, EJECTOR
(FRONT/LEAD)



KITS



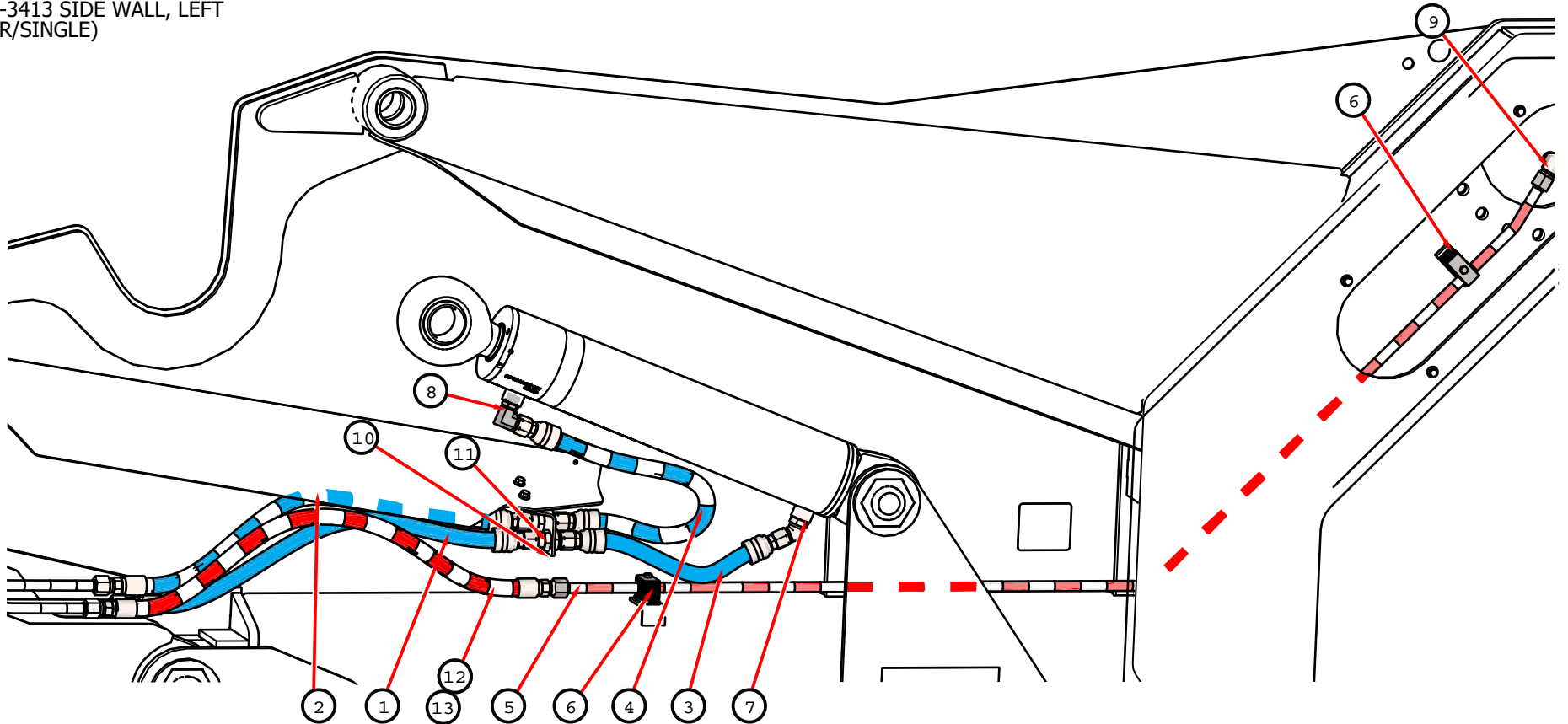
407610402 Kit	
QTY	DESCRIPTION
1	Bolt Gr. 8 UNC 5/16" x 1-3/4"
6	Hose Clamp Half Twin 3D 19 mm
1	Pipe Clamps DIN 3015, Cover Plate 3D
2	Stacking Bolt 5/16-18 UNC
2	Twin Clamp Safety Locking Plate 2-3D

ITEM	QTY	K-TEC P.N.	ASHLAND P.N.	DESCRIPTION
1	1	426002038		TUBE ASSEMBLY
2	1	426002039		TUBE ASSEMBLY
3	1	426002040		TUBE ASSEMBLY
4	1	426003628	400757	TUBE ASSEMBLY
5	1	426003629	400756	TUBE ASSEMBLY
6	1	426003630	400755	TUBE ASSEMBLY
7	3	407610402	600516	TRIPLE STACK CLAMP ASSEMBLY (19 MM)
8	1	424207032		HOSE - 12_5_032.00E_12FJX 12FJX
9	1	424207033		HOSE - 12_5_27.5_12FJX 12FJX
10	1	424207034		HOSE - 12_5_24.14_12FJX 12FJX45
11	1	4071_12mb_12mj	AHA-00041	ADAPTER MORB-12 X MJIC-12
12	1	4071_12mb_12mj90	AHA-00044	3/4" MJIC X 3/4" ORB 90 DEG. ADAPTOR
13	3	4071_12mj_12mj90_BH	AHA-00128	BULKHEAD 90 MJIC-12 X MJIC-12
14	3	4071_12mj_BH nut	AHA-00099	BULKHEAD NUT JIC 3/4"
15	1	4071_16mb_12mj90	AHA-00136	ELBOW ADAPTER 90 DEG. MORB-12 X MJIC

SECTION 2.03

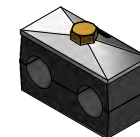
HYDRAULICS

2411-3413 SIDE WALL, LEFT
(REAR/SINGLE)



ITEM	QTY	K-TEC P.N.	ASHLAND P.N.	DESCRIPTION	
1	1	424204432		HOSE - 12_5_033.00E_12MJ 12FJX	
2	1	424204433		HOSE - 12_5_035.00E_12MJ 12FJX	
3	1	424204434		HOSE - 12_5_019.00E_12FJX 12FJX	
4	1	424204435		HOSE - 12_5_029.50E_12FJX 12FJX	
5	1	426003604	400725	TUBE ASSEMBLY	
6	2	407610400	AHL-00002	SINGLE STACK HARD LINE CLAMP ASSEMBLY (19MM)	
7	1	4071_12mb_12mj45	AHA-00127	ELBOW ADAPTER 45 DEG MORB-12 X MJIC-12	
8	1	4071_12mb_12mj90	AHA-00044	3/4" MJIC X 3/4" ORB 90 DEG. ADAPTOR	
9	1	4071_12mj_12mj90	AHA-00019	ADAPTER 90 MJIC-12 X MJIC-12	
10	2	4071_12mj_12mj_BH	AHA-00096	BULKHEAD MJIC-12 X MJIC-12	
11	2	4071_12mj_BH nut	AHA-00099	BULKHEAD NUT JIC 3/4"	
12	1	424207035		HOSE - 12_5_040.50E_12MJ 12MJ	2411/3013
13	1	424204407		HOSE - 12_5_028.00E_12MJ_12MJ	2811/3413

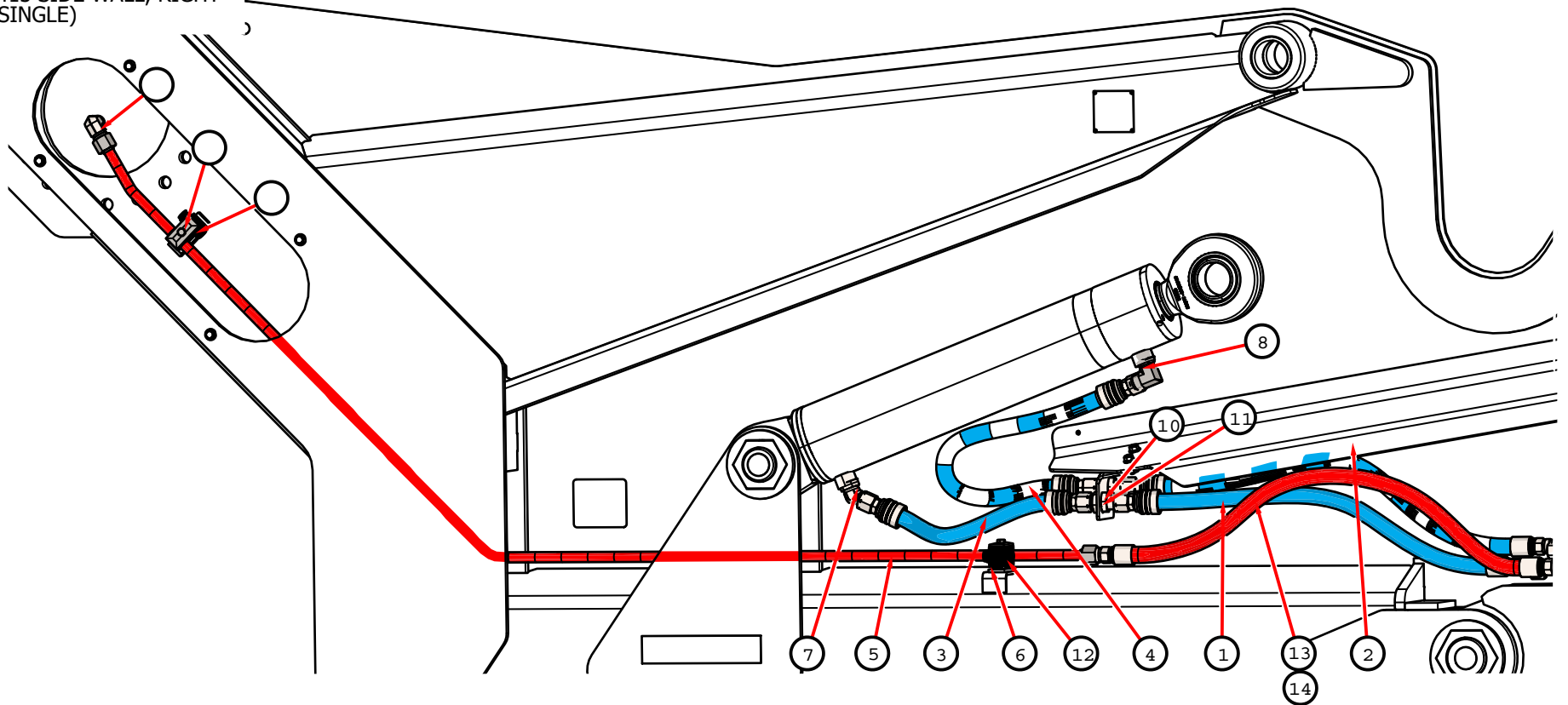
KITS	
407610400	
QTY	DESCRIPTION
1	Bolt Gr. 8 UNC 5/16" x 1-3/4"
2	Hose Clamp Half Twin 3D 19 mm
1	Pipe Clamps Twin Series, Cover Plate



SECTION 2.03

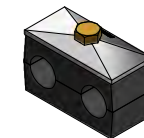
HYDRAULICS

2411-3413 SIDE WALL, RIGHT
(REAR/SINGLE)



ITEM	QTY	K-TEC P.N.	ASHLAND P.N.	DESCRIPTION	
1	1	424204432		HOSE - 12_5_033.00E_12MJ 12FJX	
2	1	424204433		HOSE - 12_5_035.00E_12MJ 12FJX	
3	1	424204434		HOSE - 12_5_019.00E_12FJX 12FJX	
4	1	424204435		HOSE - 12_5_029.50E_12FJX 12FJX	
5	1	426003604	400725	REAR PUSH OFF HARD LINE ASSEMBLY, BOWL, 241	
6	2	407610400	AHL-00002	SINGLE STACK HARD LINE CLAMP ASSEMBLY (19M	
7	1	4071_12mb_12mj45	AHA-00127	ELBOW ADAPTER 45 DEG MORB-12 X MJIC-12	
8	1	4071_12mb_12mj90	AHA-00044	3/4" MJIC X 3/4" ORB 90 DEG. ADAPTOR	
9	1	4071_12mj_12mj90	AHA-00019	ADAPTER 90 MJIC-12 X MJIC-12	
10	2	4071_12mj_12mj_BH	AHA-00096	BULKHEAD MJIC-12 X MJIC-12	
11	2	4071_12mj_BH nut	AHA-00099	BULKHEAD NUT JIC 3/4"	
12	2	4076_CS_0750		WIRE HARNESS PASS THROUGH	
13	1	424207035		HOSE - 12_5_040.50E_12MJ 12MJ	2411/3013
14	1	424204407		HOSE - 12_5_028.00E_12MJ_12MJ	2811/3413

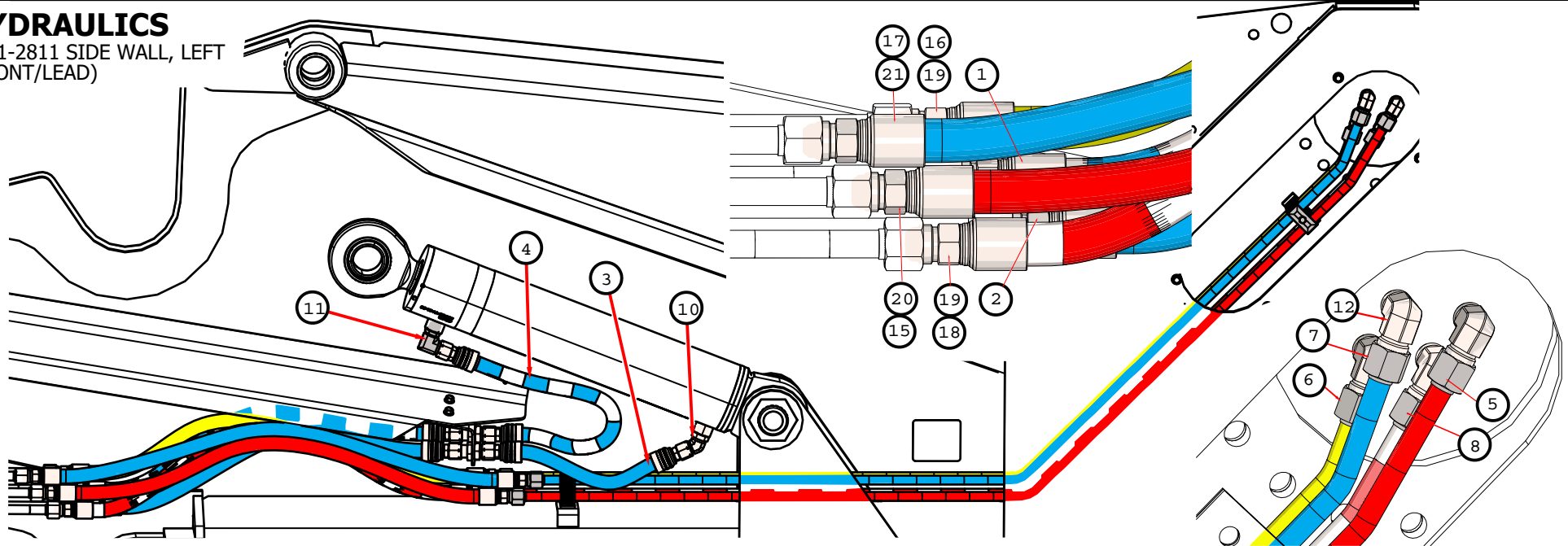
KITS	
407610400	
QTY	DESCRIPTION
1	Bolt Gr. 8 UNC 5/16" x 1-3/4"
2	Hose Clamp Half Twin 3D 19 mm
1	Pipe Clamps Twin Series, Cover Plate



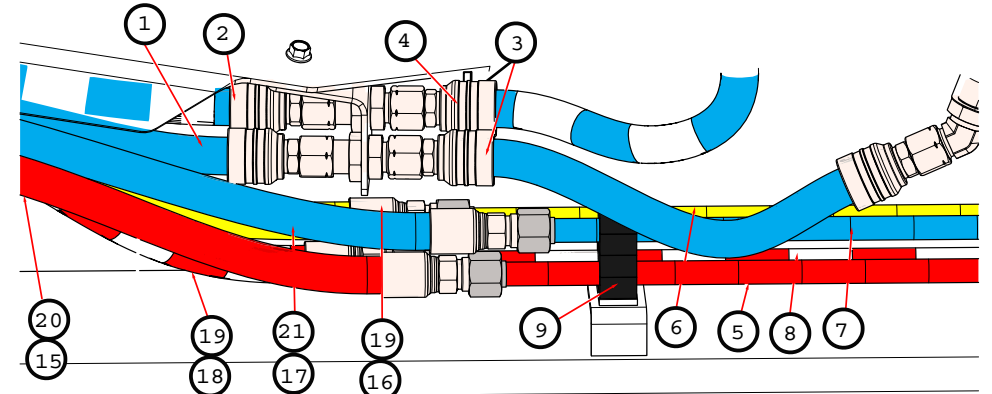
SECTION 2.03

HYDRAULICS

2411-2811 SIDE WALL, LEFT (FRONT/LEAD)



ITEM	QTY	K-TEC P.N.	ASHLAND P.N.	DESCRIPTION
1	1	424204432		HOSE - 12_5_033.00E_12MJ 12FJX
2	1	424204433		HOSE - 12_5_035.00E_12MJ 12FJX
3	1	424204434		HOSE - 12_5_019.00E_12FJX 12FJX
4	1	424204435		HOSE - 12_5_029.50E_12FJX 12FJX
5	1	426002035	400768	TUBE ASSEMBLY
6	1	426002036	400769	TUBE ASSEMBLY
7	1	426002037	400770	TUBE ASSEMBLY
8	1	426003604	400725	TUBE ASSEMBLY
9	2	407610401	AHL-00022	DOUBLE STACK HARD LINE CLAMP ASSEMBLY (19MM)
10	1	4071_12mb_12mj45	AHA-00127	ELBOW ADAPTER 45 DEG MORB-12 X MJIC-12
11	1	4071_12mb_12mj90	AHA-00044	3/4" MJIC X 3/4" ORB 90 DEG. ADAPTOR
12	4	4071_12mj_12mj90	AHA-00019	ADAPTER 90 MJIC-12 X MJIC-12
13	2	4071_12mj_12mj_BH	AHA-00096	BULKHEAD MJIC-12 X MJIC-12
14	2	4071_12mj_BH nut	AHA-00099	BULKHEAD NUT JIC 3/4"
15	1	424203743		HOSE - 12_5_031.00E_12MJ 12 MJ
16	1	424203744		HOSE - 12_5_028.00E_12MJ 12MJ
17	1	424203745		HOSE - 12_5_033.00E_12MJ 12MJ
18	1	424204407		HOSE - 12_5_028.00E_12MJ_12MJ
19	1	424207035		HOSE - 12_5_040.50E_12MJ 12MJ
20	1	424207062		HOSE - 12_5_043.00E_12MJ 12MJ
21	1	424207063		HOSE - 12_5_045.00E_12MJ 12MJ

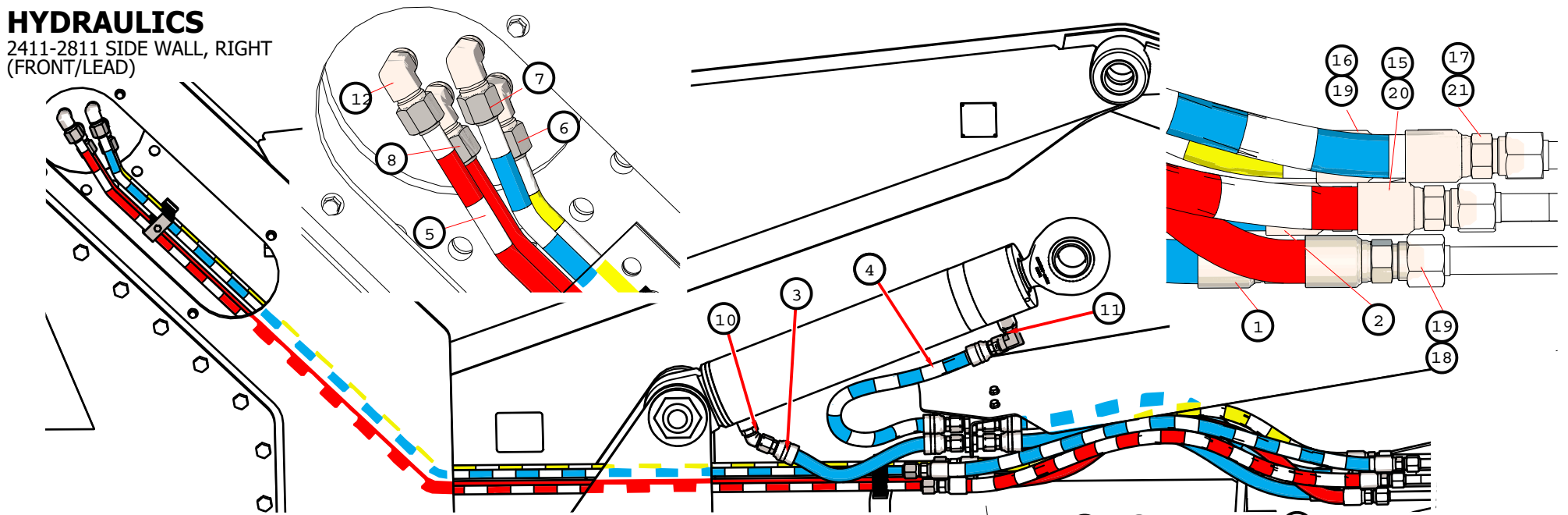


KITS	
407610401 Kit	
QTY	DESCRIPTION
1	Bolt Gr. 8 UNC 5/16" x 1-3/4"
4	Hose Clamp Half Twin 3D 19 mm
1	Twin Clamp Safety Locking Plate 2-3D
1	Stacking Bolt 5/16-18 UNC
1	Pipe Clamps DIN 3015, Cover Plate 3D

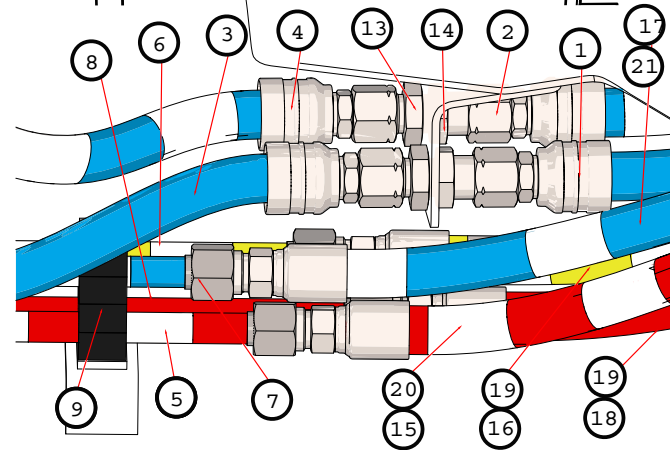
SECTION 2.03

HYDRAULICS

2411-2811 SIDE WALL, RIGHT (FRONT/LEAD)



ITEM	QTY	K-TEC P.N.	ASHLAND P.N.	DESCRIPTION	
1	1	424204432		HOSE - 12_5_033.00E_12MJ 12FJX	
2	1	424204433		HOSE - 12_5_035.00E_12MJ 12FJX	
3	1	424204434		HOSE - 12_5_019.00E_12FJX 12FJX	
4	1	424204435		HOSE - 12_5_029.50E_12FJX 12FJX	
5	1	426002035	400768	TUBE ASSEMBLY	
6	1	426002036	400769	TUBE ASSEMBLY	
7	1	426002037	400770	TUBE ASSEMBLY	
8	1	426003604	400725	TUBE ASSEMBLY	
9	2	407610401	AHL-00022	DOUBLE STACK HARD LINE CLAMP ASSEMBLY (19MM)	
10	1	4071_12mb_12mj45	AHA-00127	ELBOW ADAPTER 45 DEG MORB-12 X MJIC-12	
11	1	4071_12mb_12mj90	AHA-00044	3/4" MJIC X 3/4" ORB 90 DEG. ADAPTOR	
12	4	4071_12mj_12mj90	AHA-00019	ADAPTER 90 MJIC-12 X MJIC-12	
13	2	4071_12mj_12mj_BH	AHA-00096	BULKHEAD MJIC-12 X MJIC-12	
14	2	4071_12mj_BH nut	AHA-00099	BULKHEAD NUT JIC 3/4"	
15	1	424203743		HOSE - 12_5_031.00E_12MJ 12 MJ	2411
16	1	424203744		HOSE - 12_5_028.00E_12MJ 12MJ	
17	1	424203745		HOSE - 12_5_033.00E_12MJ 12MJ	
18	1	424204407		HOSE - 12_5_028.00E_12MJ_12MJ	
19	1	424207035		HOSE - 12_5_040.50E_12MJ 12MJ	2811
20	1	424207062		HOSE - 12_5_043.00E_12MJ 12MJ	
21	1	424207063		HOSE - 12_5_045.00E_12MJ 12MJ	

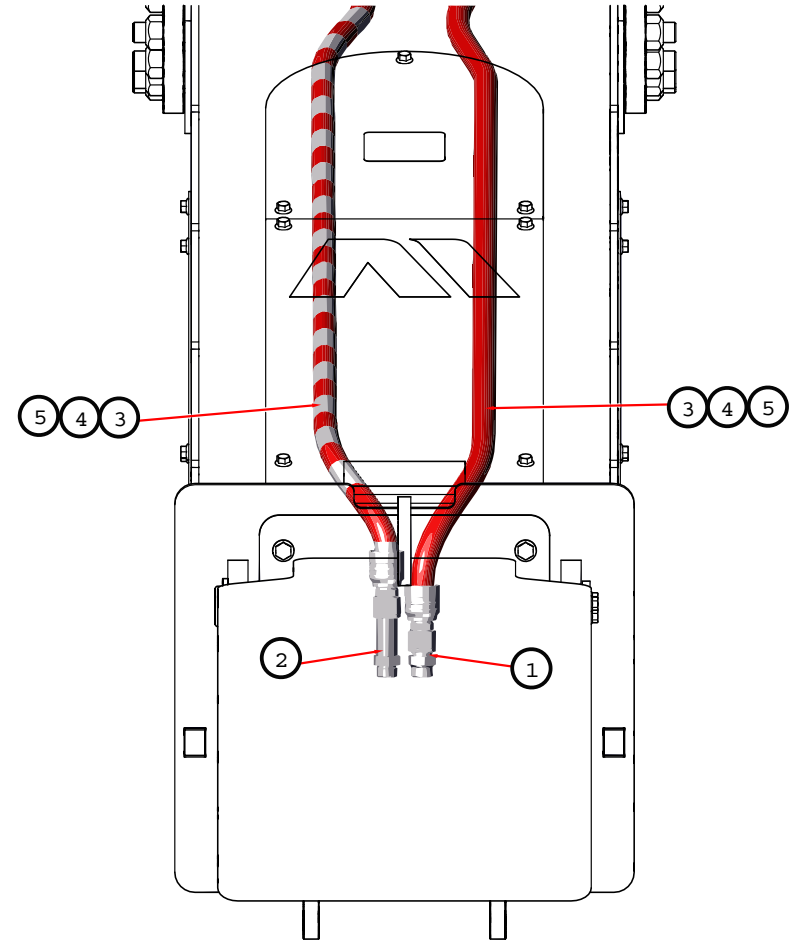
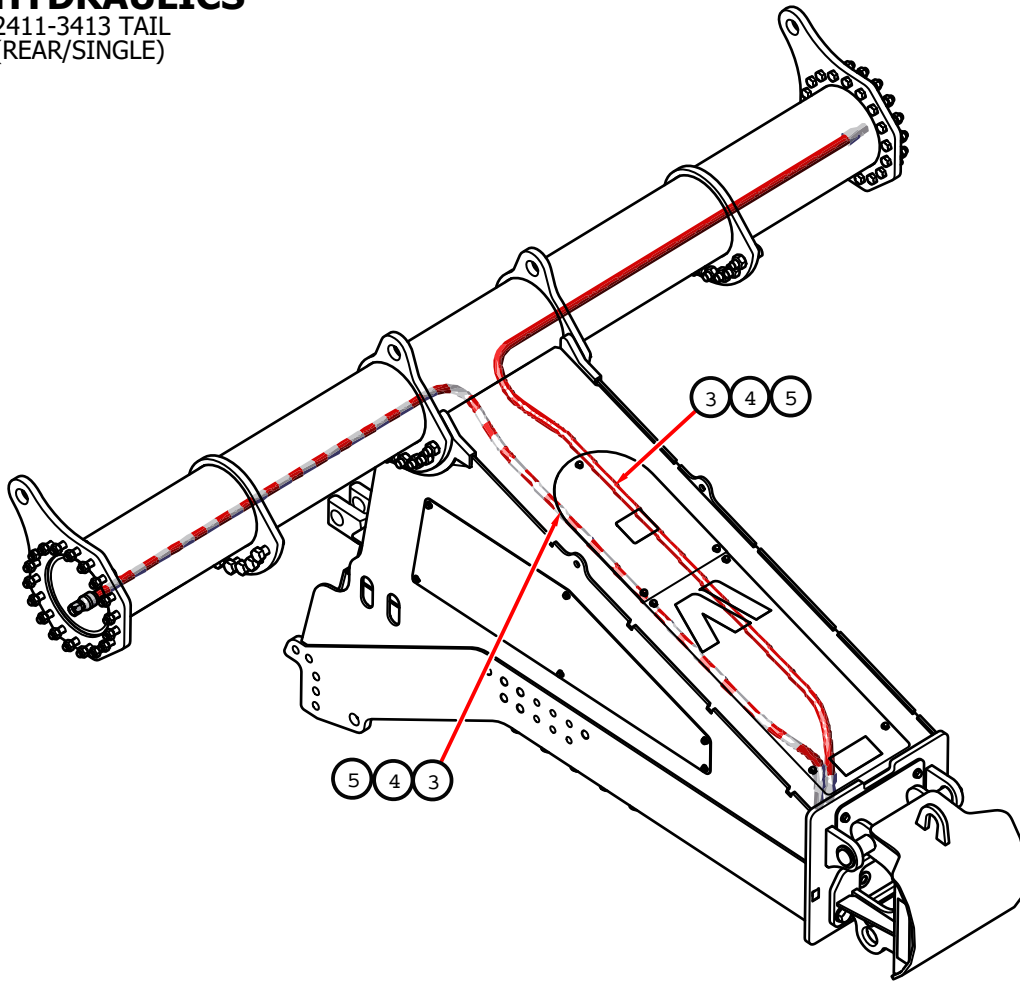


KITS	
	407610401 Kit
	QTY DESCRIPTION
	1 Bolt Gr. 8 UNC 5/16" x 1-3/4"
	4 Hose Clamp Half Twin 3D 19 mm
	1 Twin Clamp Safety Locking Plate 2-3D
	1 Stacking Bolt 5/16-18 UNC
1 Pipe Clamps DIN 3015, Cover Plate 3D	

SECTION 2.04

HYDRAULICS

2411-3413 TAIL
(REAR/SINGLE)

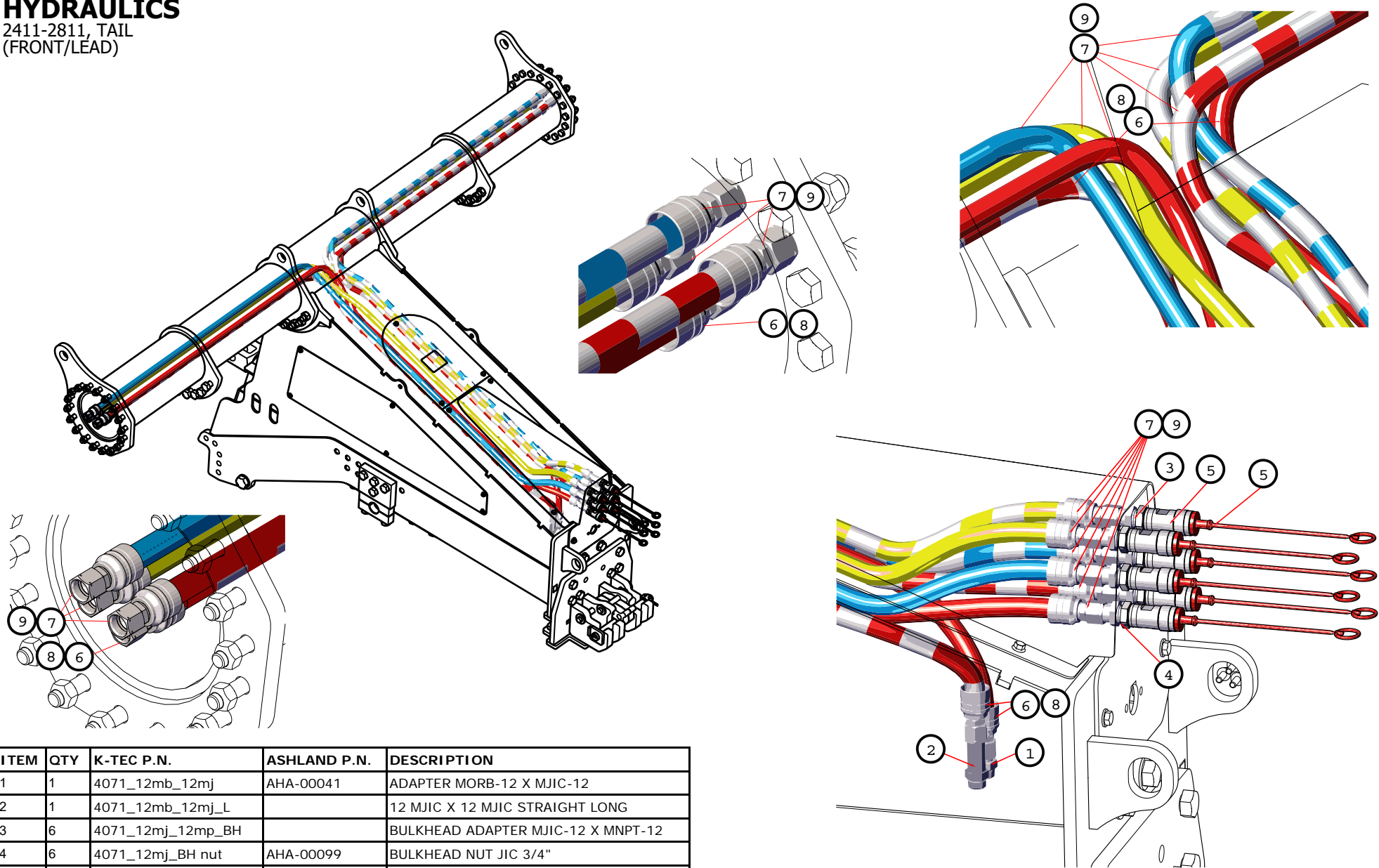


ITEM	QTY	K-TEC P.N.	ASHLAND P.N.	DESCRIPTION	
1	1	4071_12mb_12mj	AHA-00041	ADAPTER MORB-12 X MJIC-12	
2	1	4071_12mb_12mj_L		12 MJIC X 12 MJIC STRAIGHT LONG	
3	2	424207041		HOSE - 12_120_12FJX_12FJX	2411
4	2	424207036		HOSE - 12_5_132.00E_12FJX 12FJX	2811/3013
5	2	424207051		HOSE - 12_5_144.00E_12FJX 12FJX	3413

SECTION 2.04

HYDRAULICS

2411-2811, TAIL
(FRONT/LEAD)

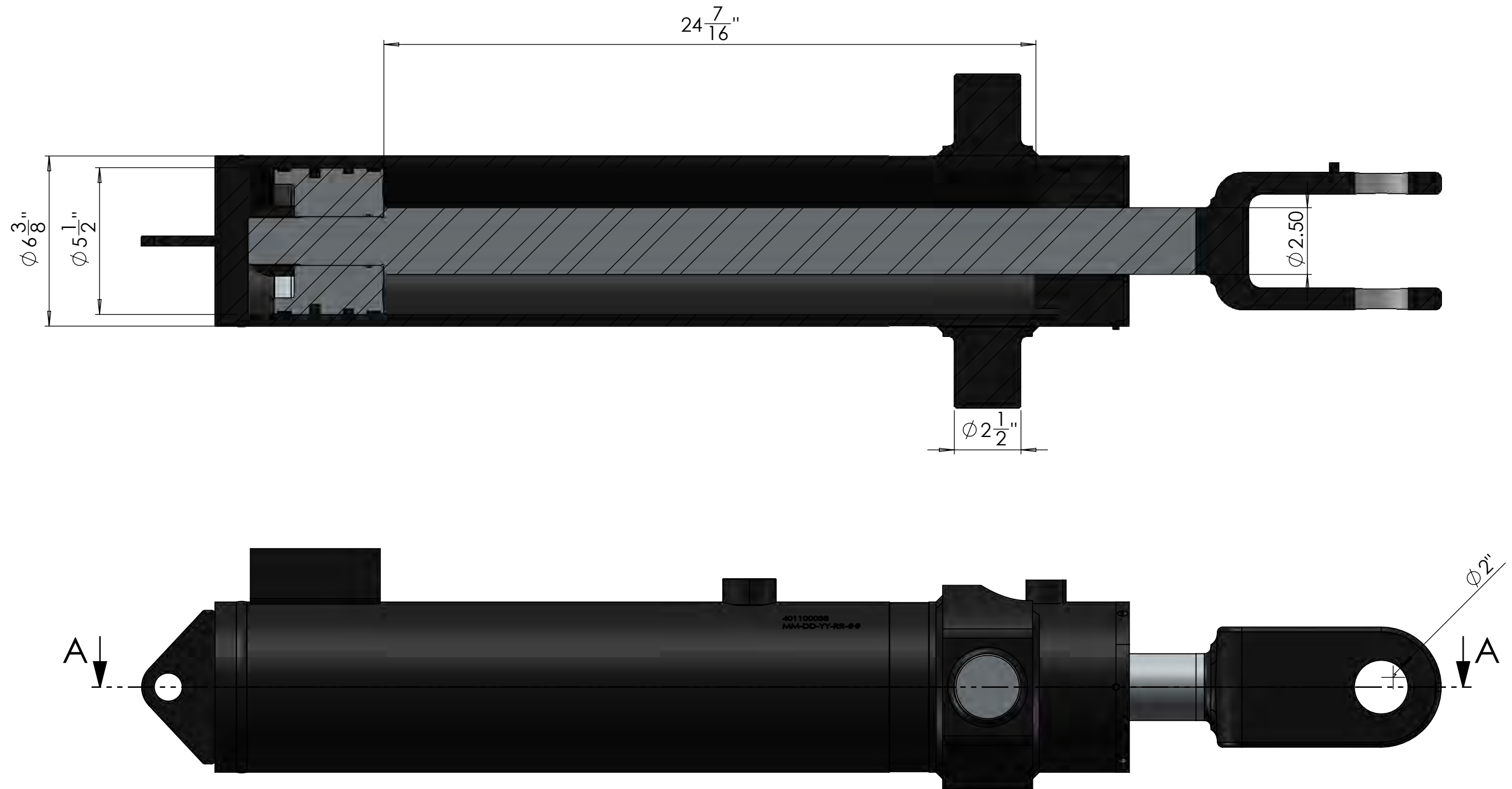


ITEM	QTY	K-TEC P.N.	ASHLAND P.N.	DESCRIPTION	
1	1	4071_12mb_12mj	AHA-00041	ADAPTER MORB-12 X MJIC-12	
2	1	4071_12mb_12mj_L		12 MJIC X 12 MJIC STRAIGHT LONG	
3	6	4071_12mj_12mp_BH		BULKHEAD ADAPTER MJIC-12 X MNPT-12	
4	6	4071_12mj_BH nut	AHA-00099	BULKHEAD NUT JIC 3/4"	
5	6	407000059		COUPLER PLUG 1/2"	
6	2	424207041		HOSE - 12_5_120.00E_12FJX_12FJX	2411
7	6	424207052		HOSE - 12_5_126.00E_12FJX_12FJX	
8	2	424207036		HOSE - 12_5_132.00E_12FJX_12FJX	2811
8	6	424207071		HOSE - 12_5_138.00E_12FJX_12FJX	

SECTION 3.00

HYDRAULIC CYLINDERS

2411-2811 LIFT CYLINDER



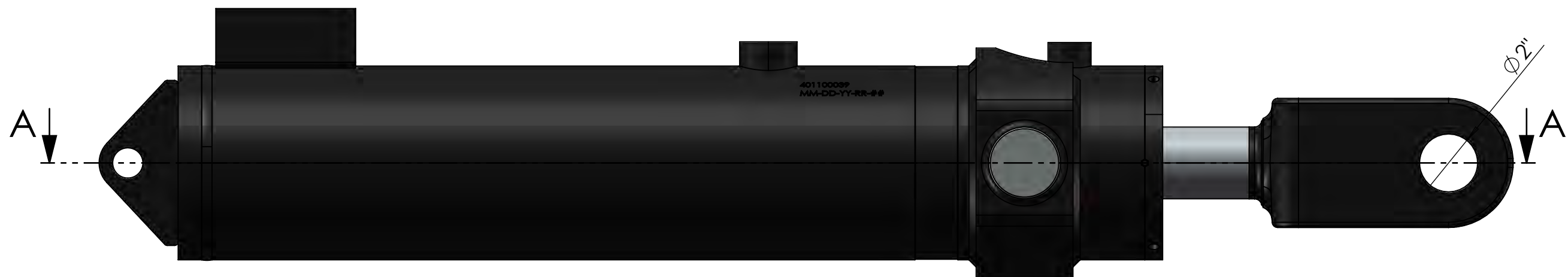
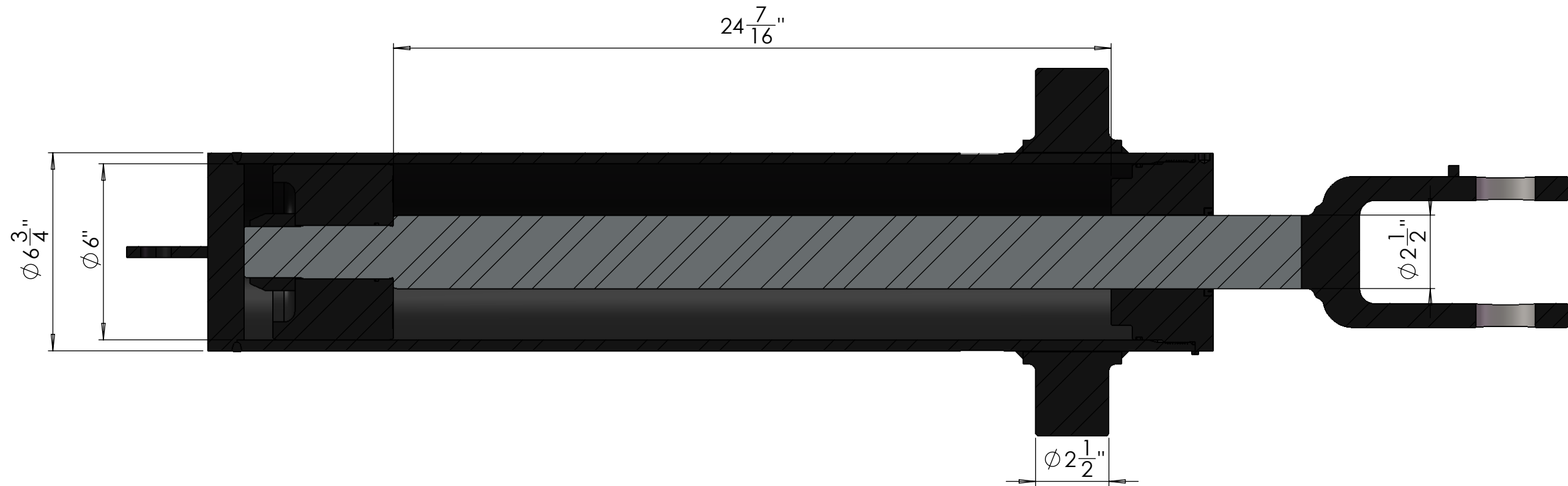
Seal Kit # 431972P
Cylinder # 401100038 (RR 150644)

401100038

SECTION 3.00

HYDRAULIC CYLINDERS

3013-3413 LIFT CYLINDER



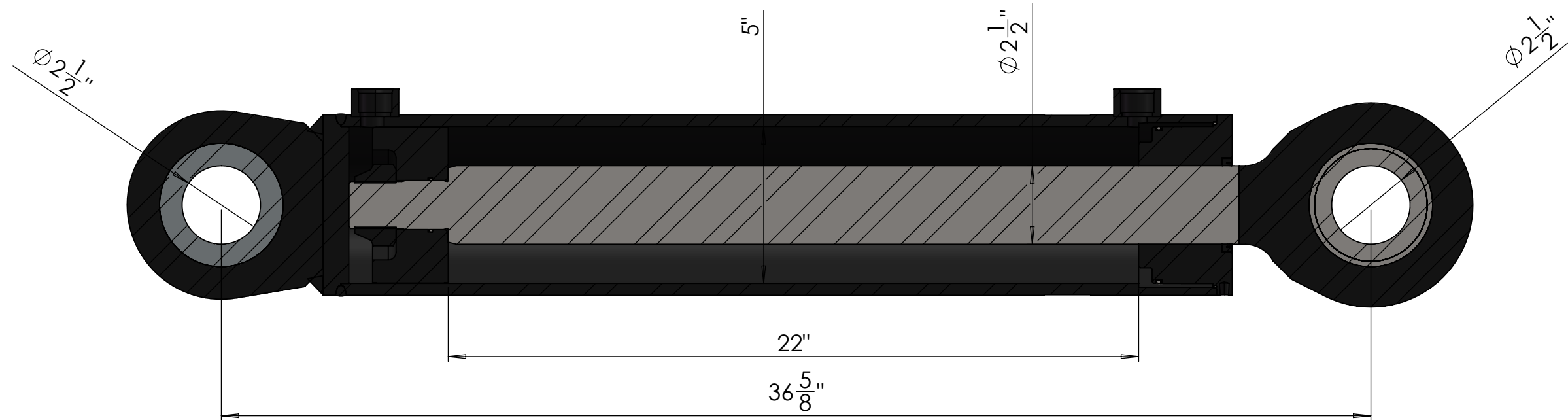
Seal Kit # 432540P
Cylinder # 401100039 (RR 160480)

401100039

SECTION 3.00

HYDRAULIC CYLINDERS

2411-3413 APRON/GATE CYLINDER



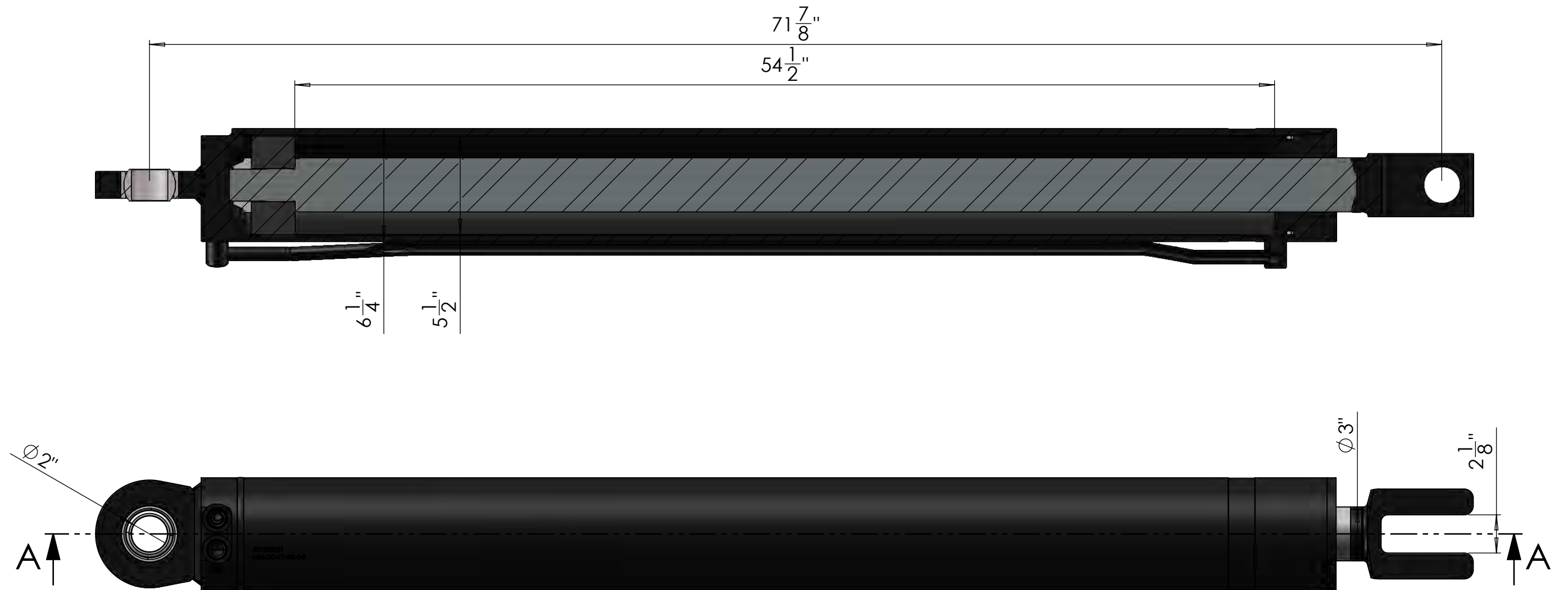
Seal Kit # 432288P
Cylinder # 401200020 (RR 150543)
Spherical Bushing # 400379 (404000150)

401200020

SECTION 3.00

HYDRAULIC CYLINDERS

2411/3013 EJECTOR CYLINDER



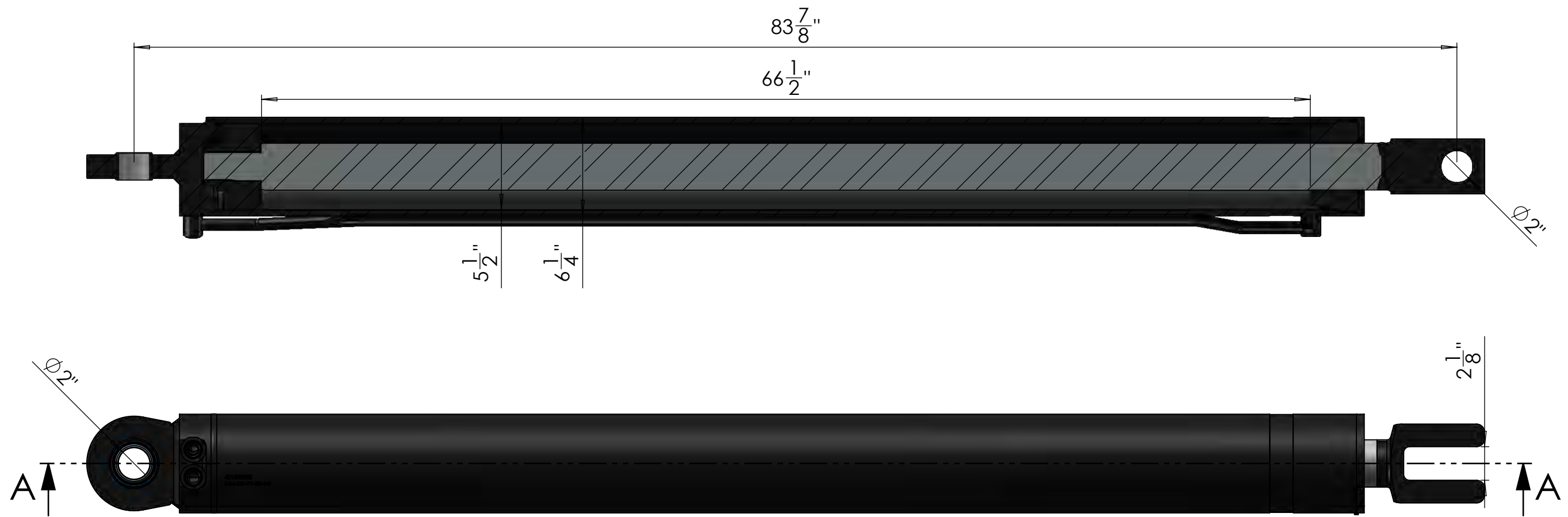
Seal Kit # 432406P
Cylinder # 401300051 (RR 150649)
Spherical Bushing # 400376 (404000134)

401300051

SECTION 3.00

HYDRAULIC CYLINDERS

2811/3413 EJECTOR CYLINDER



Seal Kit # 432406P
Cylinder # 401300052 (RR 15650)
Spherical Bushing # 400376 (404000134)

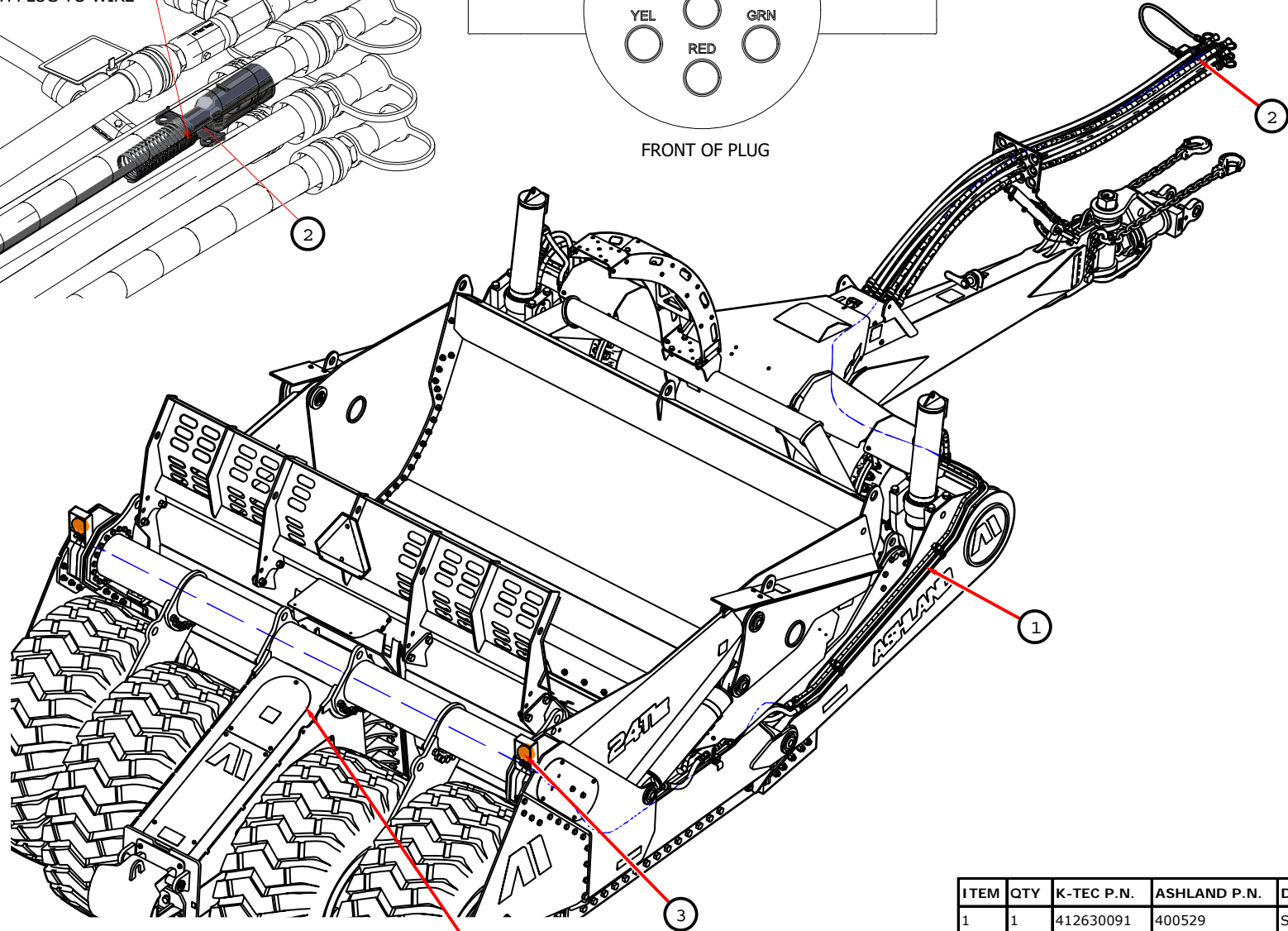
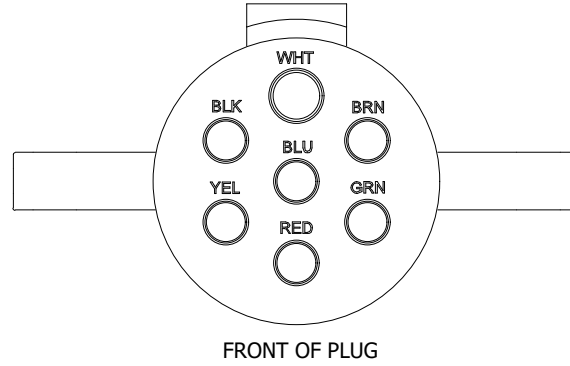
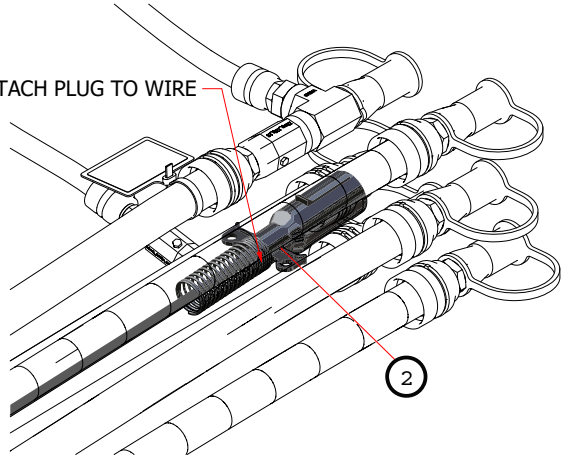
401300052

SECTION 4.00

ELECTRICAL

2411-3413 ELECTRICAL ROUTING
(REAR/SINGLE)

ATTACH PLUG TO WIRE



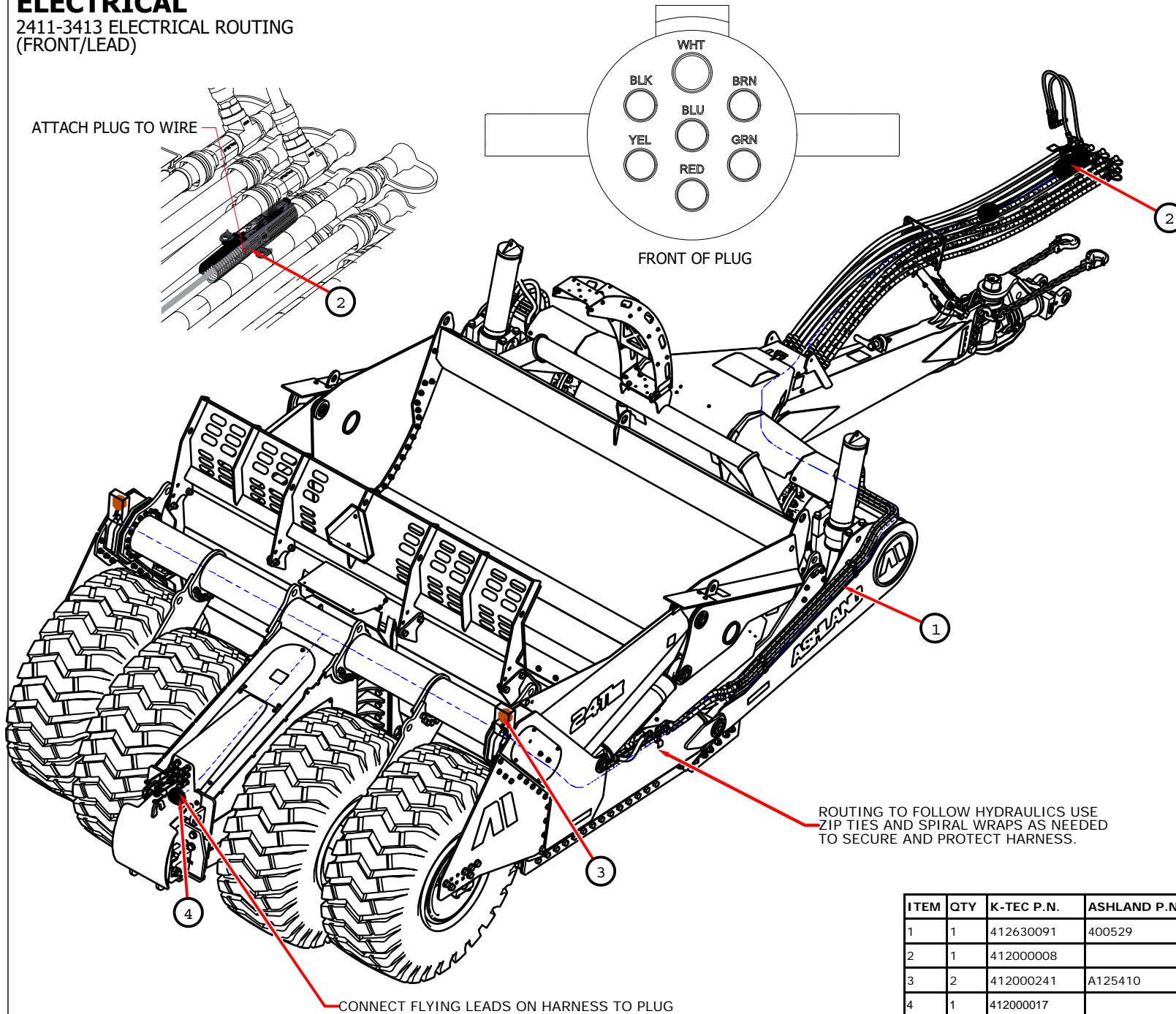
STORE AND SECURE THE FLYING
LEADS EXCESS HARNESS IN TUBE.

ITEM	QTY	K-TEC P.N.	ASHLAND P.N.	DESCRIPTION
1	1	412630091	400529	STANDARD TAIL LIGHT HARNESS
2	1	412000008		PLUG 7-WIRE
3	2	412000241	A125410	LIGHT, DUAL FACE LED PEDESTAL ETRAILER

SECTION 4.00

ELECTRICAL

2411-3413 ELECTRICAL ROUTING
(FRONT/LEAD)



ROUTING TO FOLLOW HYDRAULICS USE ZIP TIES AND SPIRAL WRAPS AS NEEDED TO SECURE AND PROTECT HARNESS.

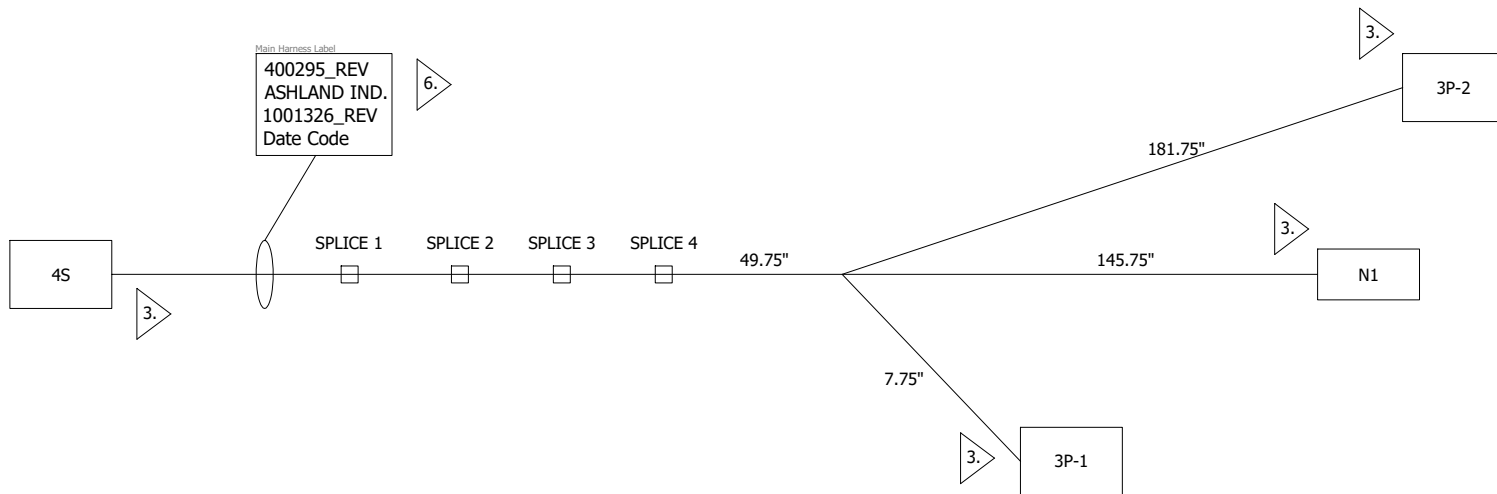
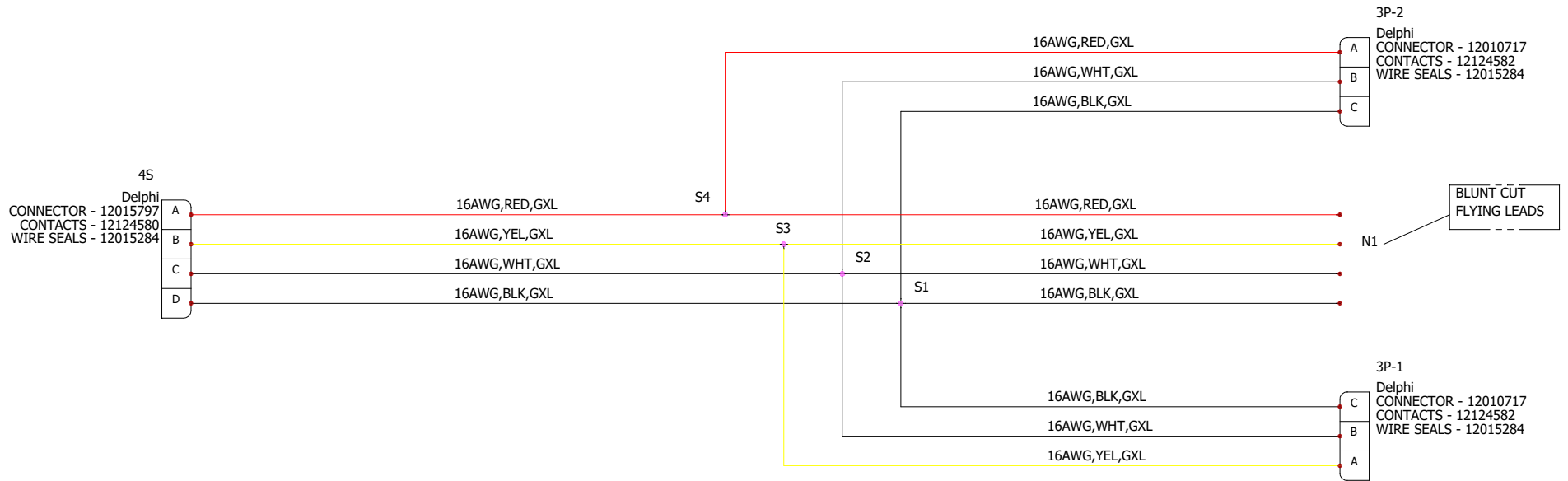
CONNECT FLYING LEADS ON HARNESS TO PLUG

ITEM	QTY	K-TEC P.N.	ASHLAND P.N.	DESCRIPTION
1	1	412630091	400529	STANDARD TAIL LIGHT HARNESS
2	1	412000008		PLUG 7-WIRE
3	2	412000241	A125410	LIGHT, DUAL FACE LED PEDESTAL ETRAILER
4	1	412000017		TRAILER PLUG, 7 WIRE

SECTION 4.00

ELECTRICAL

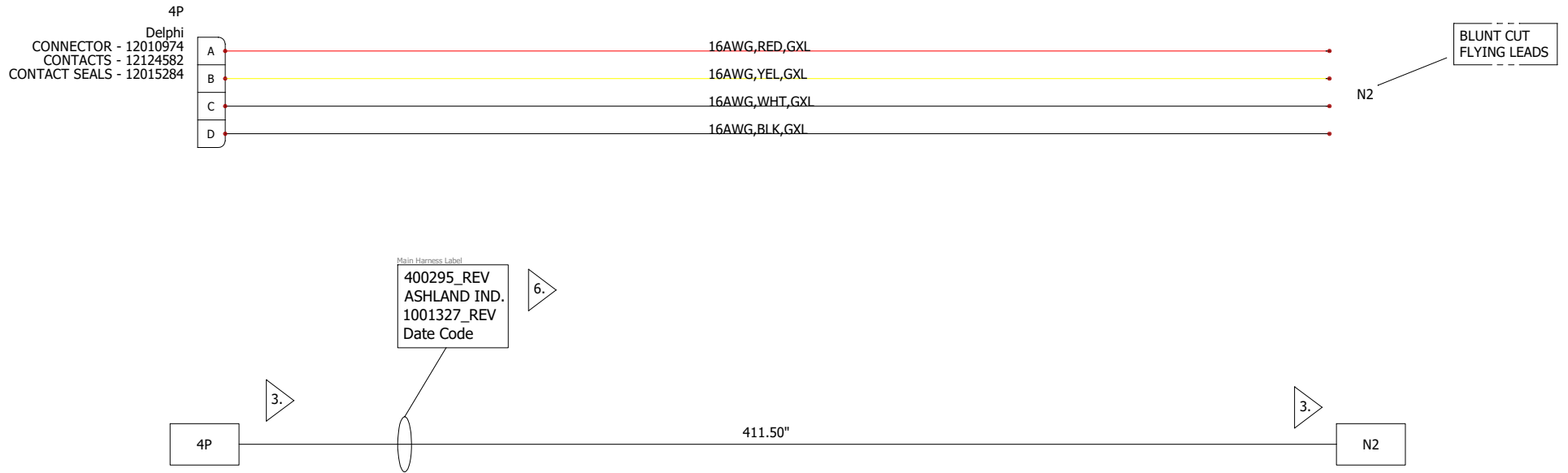
412630091 HARNESS DIAGRAM



SECTION 4.00

ELECTRICAL

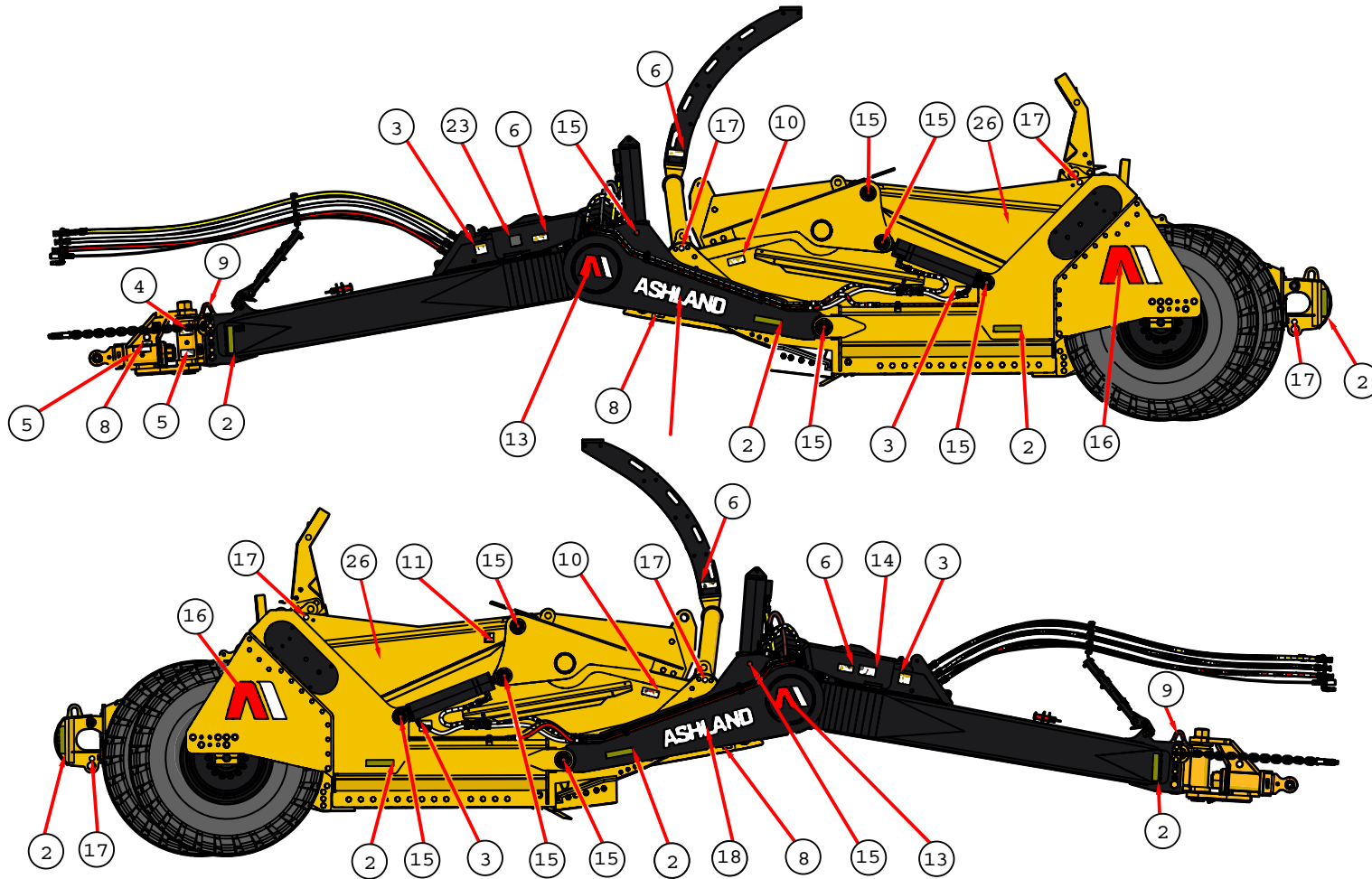
412630091 HARNESS DIAGRAM



SECTION 5.00

DECALS

2411/3013



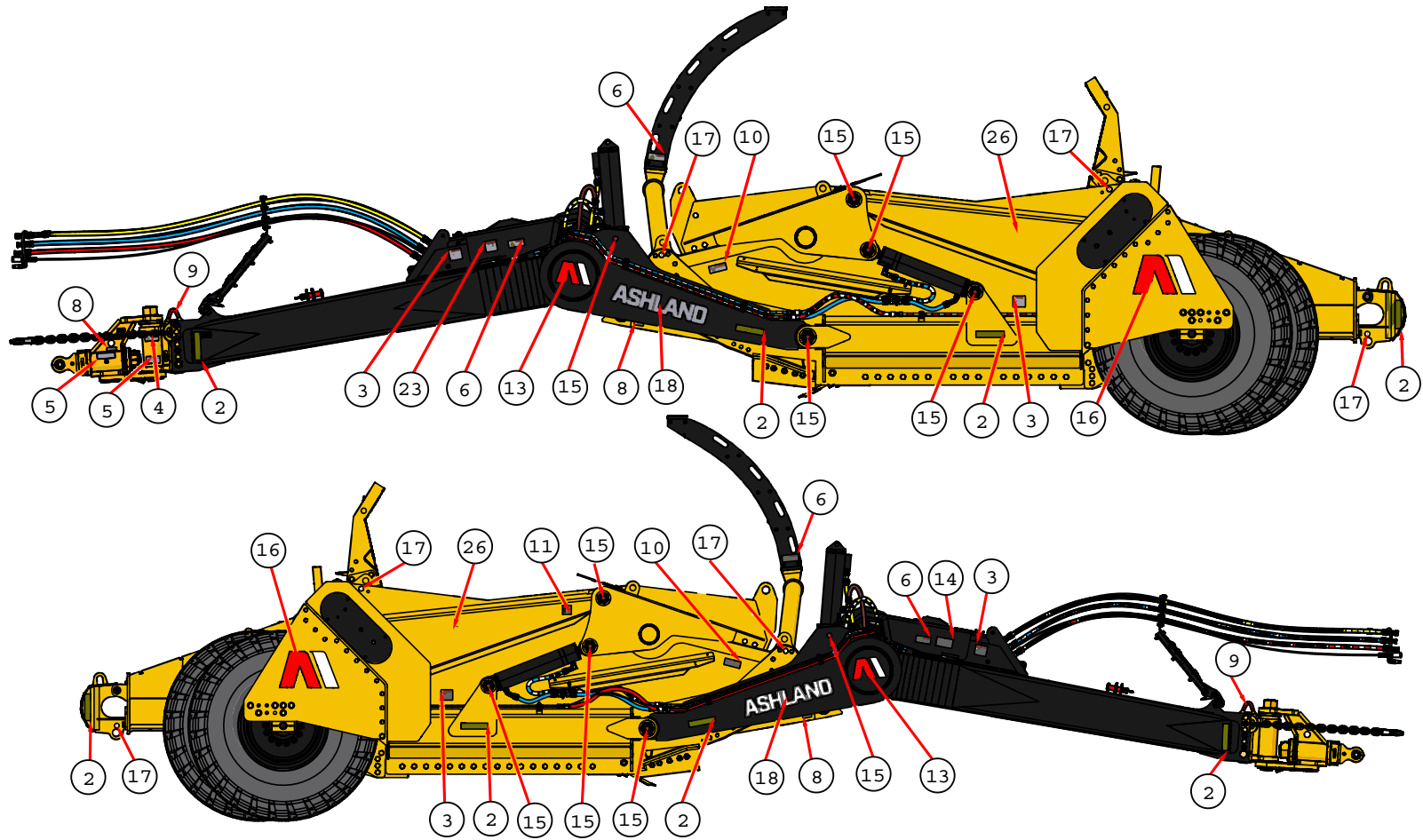
ITEM	QTY	K-TEC P.N.	ASHLAND P.N.	DESCRIPTION	ITEM	QTY	K-TEC P.N.	ASHLAND P.N.	DESCRIPTION
1	1	411000003		DECAL - RED STRIP (REFLECTIVE LIGHT)	14	2	411000277	ADS - 00069	DECAL - AMERICAN BUILT
2	10	411000004		DECAL - REFLECTIVE TAPE, YELLOW	15	13	411000278	ADS - 00083	DECAL - GREASELESS POINT ROUND
3	4	411000040	750464	DECAL - WARNING HIGH-PRESSURE HYD	16	2	411000375		DECAL - AI EXTRA LARGE DECAL
4	1	411000041		DECAL - CAUTION LIFT POINT	17	6	411000281	ADS - 00091	DECAL - LIFT POINT ROUND
5	2	411000046		DECAL - NOTICE GREASE POINT	18	2	411000346		DECAL - ASHLAND WORDMARK
6		411000064		DECAL - FALL HAZARD	19	6	411000353		DECAL - WARNING NOT FOR LIFTING
7	1	411000097		DECAL - PINCH HAZARD	20	1	411000355	ADS-00047	DECAL SAFETY LOCK INSTRUCTIONS
8	2	411000102		DECAL - TIE-DOWN	21	1	411000386		DECAL - CASE DRAIN WARNING TOP
9	2	411000206		DECAL - V	22	1	411000386		DECAL - CASE DRAIN WARNING BOTTOM
10	2	411000261	ADS-00011	DECAL - CRUSHING HAZARD	23	4	411000413		DECAL WARNING - FALL HAZARD
11	1	411000263		SERIAL NUMBER PLATE	24	1	411000283	ADS-00066	DECAL - DEPTH GAUGE
12	2	411000372		DECAL - "AI" LOGO SMALL	25	1	301100172 KIT		SMV SIGN
13	3	411000374		DECAL - "AI" LOGO LARGE	26	2	SEE SEC. 1.06	ADS-00096	DECAL - MODEL NUMBER



SECTION 5.00

DECALS

2811/3413



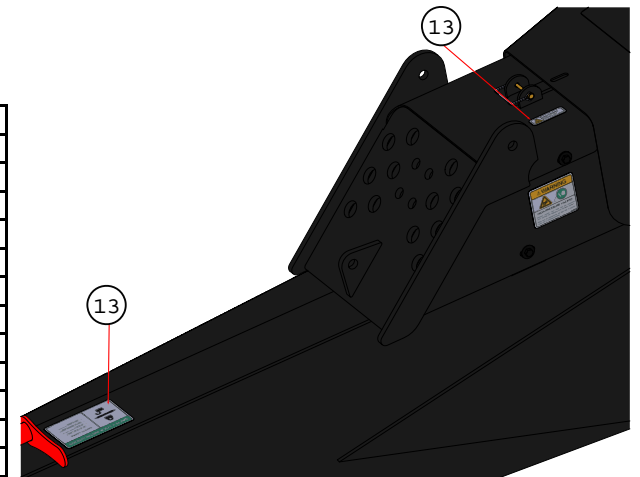
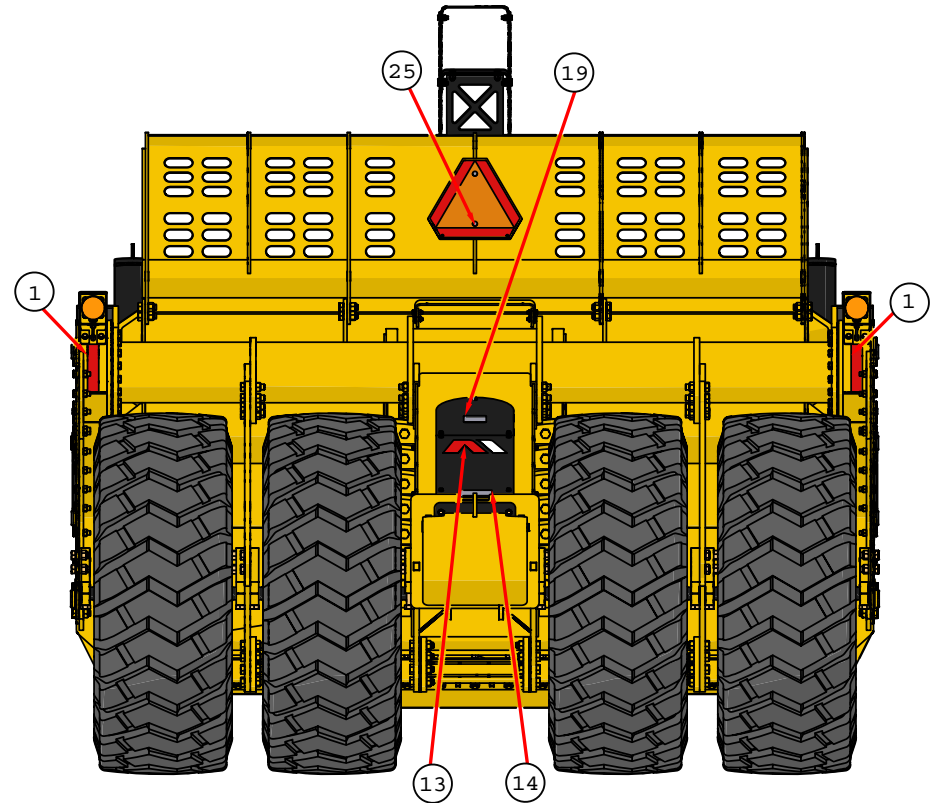
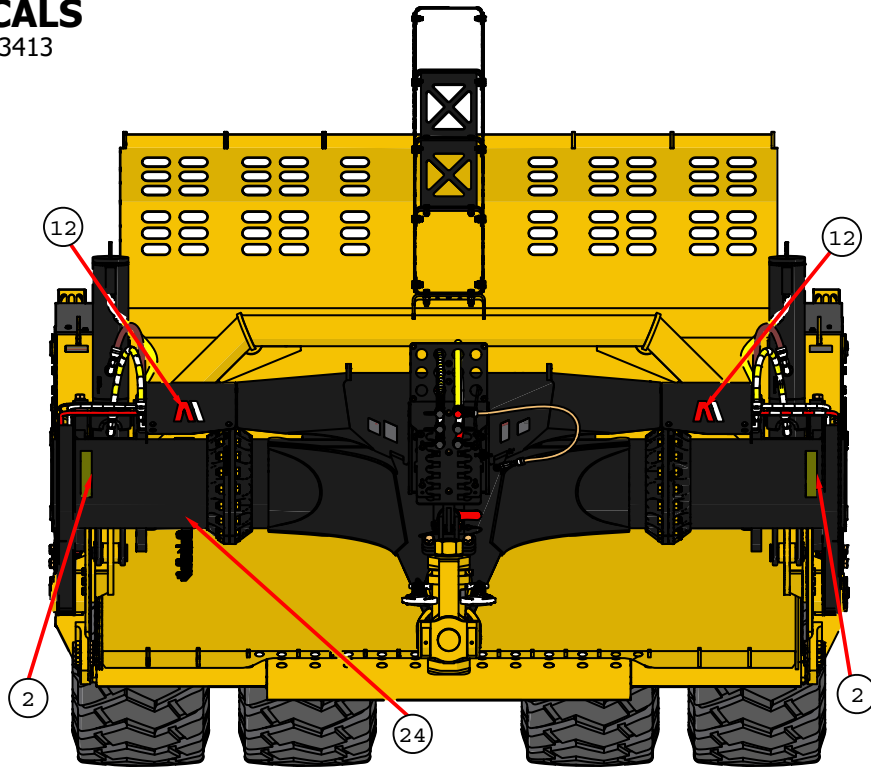
ITEM	QTY	K-TEC P.N.	ASHLAND P.N.	DESCRIPTION	ITEM	QTY	K-TEC P.N.	ASHLAND P.N.	DESCRIPTION
1	1	411000003		DECAL - RED STRIP (REFLECTIVE LIGHT)	14	2	411000277	ADS - 00069	DECAL - AMERICAN BUILT
2	10	411000004		DECAL - REFLECTIVE TAPE, YELLOW	15	13	411000278	ADS - 00083	DECAL - GREASELESS POINT ROUND
3	4	411000040	750464	DECAL - WARNING HIGH-PRESSURE HYD	16	2	411000375		DECAL - AI EXTRA LARGE DECAL
4	1	411000041		DECAL - CAUTION LIFT POINT	17	6	411000281	ADS - 00091	DECAL - LIFT POINT ROUND
5	2	411000046		DECAL - NOTICE GREASE POINT	18	2	411000346		DECAL - ASHLAND WORDMARK
6		411000064		DECAL - FALL HAZARD	19	6	411000353		DECAL - WARNING NOT FOR LIFTING
7	1	411000097		DECAL - PINCH HAZARD	20	1	411000355	ADS-00047	DECAL SAFETY LOCK INSTRUCTIONS
8	2	411000102		DECAL - TIE-DOWN	21	1	411000386		DECAL - CASE DRAIN WARNING TOP
9	2	411000206		DECAL - V	22	1	411000386		DECAL - CASE DRAIN WARNING BOTTOM
10	2	411000261	ADS-00011	DECAL - CRUSHING HAZARD	23	4	411000413		DECAL WARNING - FALL HAZARD
11	1	411000263		SERIAL NUMBER PLATE	24	1	411000283	ADS-00066	DECAL - DEPTH GAUGE
12	2	411000372		DECAL - "AI" LOGO SMALL	25	1	301100172 KIT		SMV SIGN
13	3	411000374		DECAL - "AI" LOGO LARGE	26	2	SEE SEC. 1.06	ADS-00096	DECAL - MODEL NUMBER



SECTION 5.00

DECALS

2411-3413



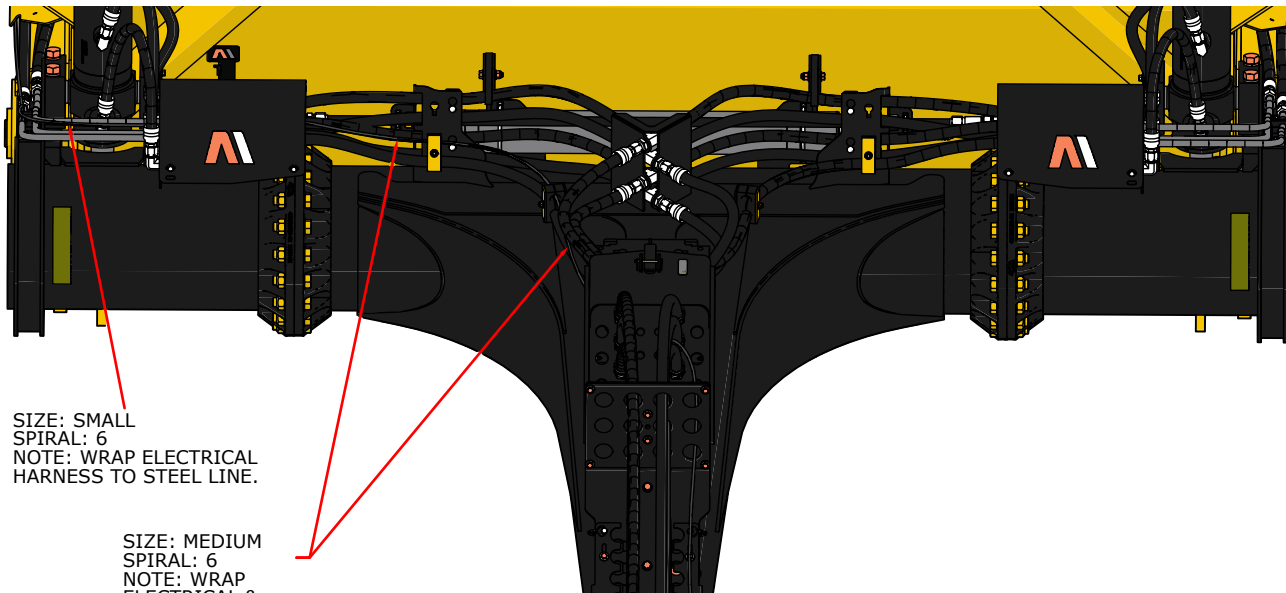
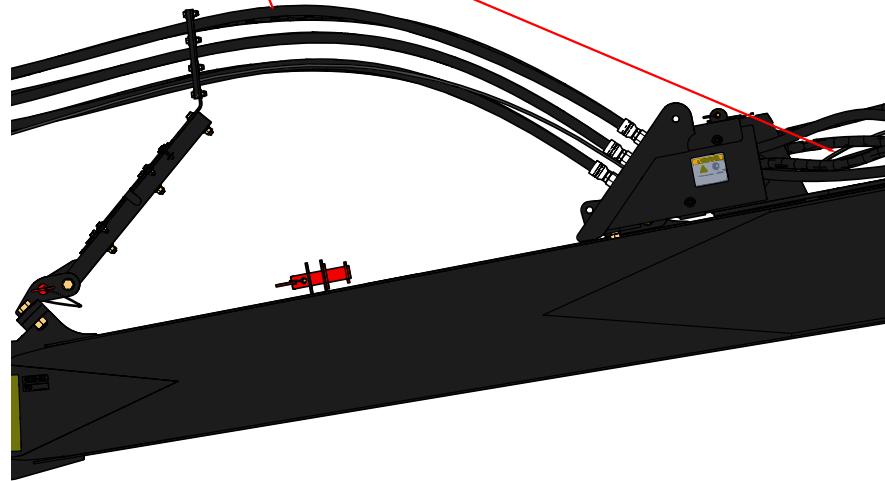
ITEM	QTY	K-TEC P.N.	ASHLAND P.N.	DESCRIPTION	ITEM	QTY	K-TEC P.N.	ASHLAND P.N.	DESCRIPTION
1	1	411000003		DECAL - RED STRIP (REFLECTIVE LIGHT)	14	2	411000277	ADS - 00069	DECAL - AMERICAN BUILT
2	10	411000004		DECAL - REFLECTIVE TAPE, YELLOW	15	13	411000278	ADS - 00083	DECAL - GREASELESS POINT ROUND
3	4	411000040	750464	DECAL - WARNING HIGH-PRESSURE HYD	16	2	411000375		DECAL - AI EXTRA LARGE DECAL
4	1	411000041		DECAL - CAUTION LIFT POINT	17	6	411000281	ADS - 00091	DECAL - LIFT POINT ROUND
5	2	411000046		DECAL - NOTICE GREASE POINT	18	2	411000346		DECAL - ASHLAND WORDMARK
6		411000064		DECAL - FALL HAZARD	19	6	411000353		DECAL - WARNING NOT FOR LIFTING
7	1	411000097		DECAL - PINCH HAZARD	20	1	411000355	ADS-00047	DECAL SAFETY LOCK INSTRUCTIONS
8	2	411000102		DECAL - TIE-DOWN	21	1	411000386		DECAL - CASE DRAIN WARNING TOP
9	2	411000206		DECAL - V	22	1	411000386		DECAL - CASE DRAIN WARNING BOTTOM
10	2	411000261	ADS-00011	DECAL - CRUSHING HAZARD	23	4	411000413		DECAL WARNING - FALL HAZARD
11	1	411000263		SERIAL NUMBER PLATE	24	1	411000283	ADS-00066	DECAL - DEPTH GAUGE
12	2	411000372		DECAL - "AI" LOGO SMALL	25	1	301100172 KIT		SMV SIGN
13	3	411000374		DECAL - "AI" LOGO LARGE	26	2	SEE SEC. 1.06	ADS-00096	DECAL - MODEL NUMBER

SECTION 6.00

SPIRAL WRAP

2411-3413 POLE

SIZE: MEDIUM
SPIRAL: 6
NOTE: WRAP
ELECTRICAL &
EJECTOR HOSE



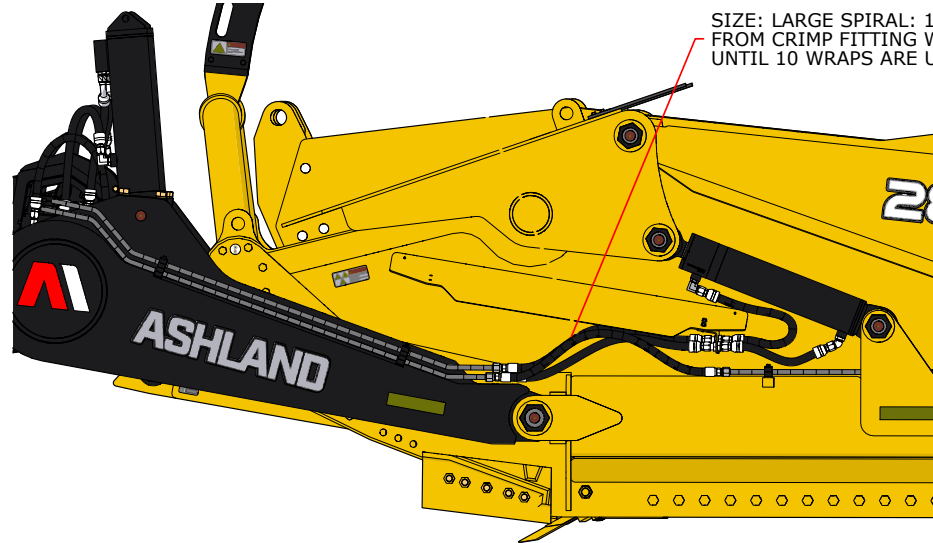
SIZE: SMALL
SPIRAL: 6
NOTE: WRAP ELECTRICAL
HARNESS TO STEEL LINE.

SIZE: MEDIUM
SPIRAL: 6
NOTE: WRAP
ELECTRICAL &
EJECTOR HOSE

SECTION 6.00

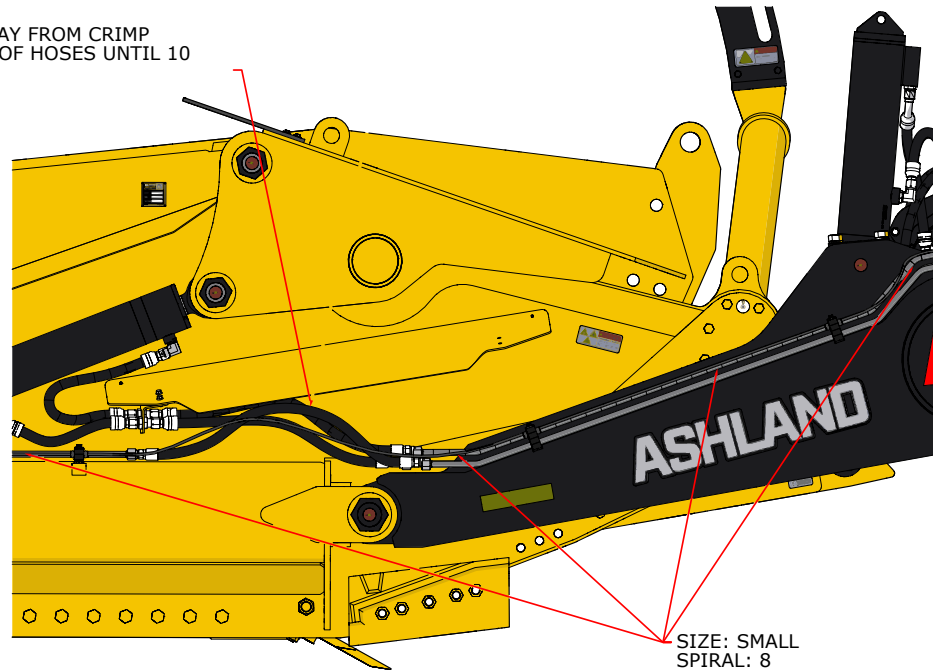
SPIRAL WRAP

2411-3413, SIDES



SIZE: LARGE SPIRAL: 10 NOTE: STARTING 2" - 3" AWAY FROM CRIMP FITTING WRAP THE LENGTH OF HOSES UNTIL 10 WRAPS ARE USED

SIZE: LARGE
SPIRAL: 10
NOTE: STARTING 2" - 3" AWAY FROM CRIMP FITTING WRAP THE LENGTH OF HOSES UNTIL 10 WRAPS ARE USED.



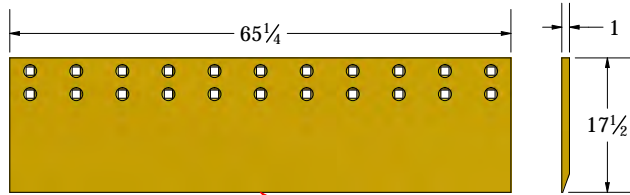
SIZE: SMALL
SPIRAL: 8
NOTE: WRAP ELECTRICAL HARNESS TO STEEL LINE.

SECTION 7.00

CUTTING EDGES

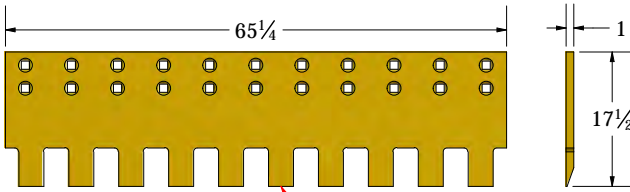
2301 2411-3413 REPLACEMENT CUTTING EDGES

CENTER EDGES



STANDARD

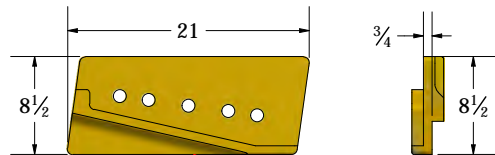
K-TEC - 413002009
Ashland 400597



SERRATED

K-TEC - 413002015
Ashland 400795

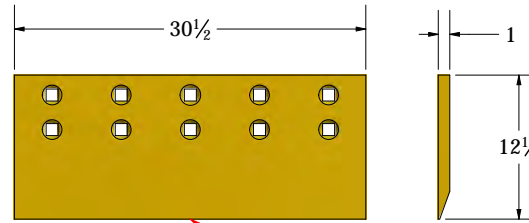
ROUTER BITS



STANDARD

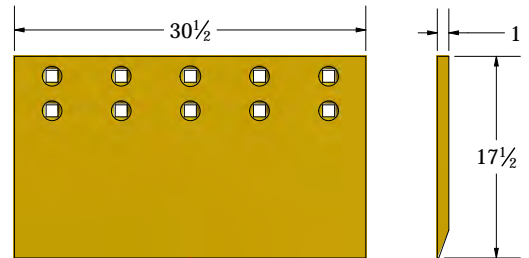
K-TEC - 413000068
Ashland A123357

SIDE EDGES 2411, 2811



STANDARD

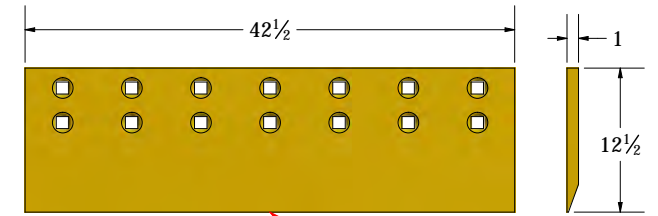
K-TEC - 413002010
Ashland 400668



DROP DOWN

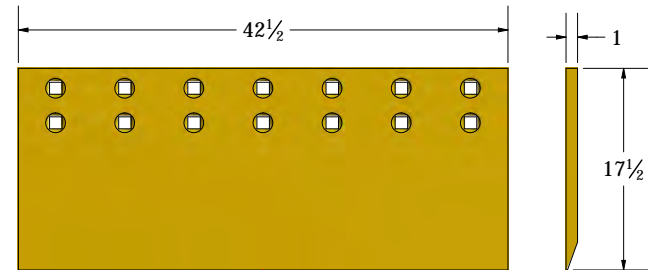
K-TEC - 413002016
Ashland 400772

SIDE EDGES 3013, 3413



STANDARD

K-TEC - 413002014
Ashland 400598



STANDARD

K-TEC - 413002017
Ashland 400771