

## PARTS MANUAL

FOR ALL ROLLER LAND LEVELERS

MODEL: 2401  
VERSION: 1.00

### TABLE OF CONTENTS

- 1 Overview
- 2 Structural
- 3 Hydraulics
- 4 Cylinders
- 5 Decals
- 6 Cutting Edges

RL12  
RL14



## SECTION 1.00

# BOLT TORQUE SPECIFICATIONS

Recommended Torque Specifications Unless Otherwise Specified.

### STANDARD/PLOW/CARRIAGE BOLTS

BOLT SIZE	THREAD PER INCH	GRADE 2				GRADE 5				GRADE 8			
		DRY		LUBRICATED		DRY		LUBRICATED		DRY		LUBRICATED	
		ft/lbs	Nm	ft/lbs	Nm	ft/lbs	Nm	ft/lbs	Nm	ft/lbs	Nm	ft/lbs	Nm
1/4	20	5.5	7.4	4.1	5.6	9.5	12.9	7.2	9.7	12	16.2	9	12.1
1/4	28	6.3	8.5	4.7	6.4	10.9	14.8	8.2	11.1	14	18.5	10	13.9
5/16	18	11	15.3	8	11.5	20	26.6	15	20.0	25	33.3	18	25.0
5/16	24	13	17.0	9	12.7	22	29.5	16	22.1	27	36.9	20	27.6
3/8	16	20	27.2	15	20.4	35	47.3	26	35.5	44	59.1	33	44.3
3/8	24	23	30.8	17	23.1	40	53.6	30	40.2	49	67.0	37	50.2
7/16	14	32	43.5	24	32.6	56	75.7	42	56.7	70	94.6	52	70.9
7/16	20	36	48.6	27	36.4	62	84.5	47	63.4	78	105.6	58	79.2
1/2	13	49	66.4	37	49.8	85	115.4	64	86.6	106	144.3	80	108.2
1/2	20	55	74.8	41	56.1	96	130.1	72	97.6	120	162.6	90	121.9
5/8	11	97	132.1	73	99.1	170	229.8	127	172.4	212	287.3	159	215.4
5/8	18	110	149.7	83	112.3	192	260.3	144	195.2	240	325.4	180	244.0
3/4	10	173	234.3	130	175.8	301	407.6	225	305.7	376	509.4	282	382.1
3/4	16	193	261.7	145	196.3	336	455.1	252	341.4	420	568.9	315	426.7
7/8	9	243	328.9	182	246.6	485	657.7	364	493.3	606	822.1	455	616.6
7/8	14	267	362.3	200	271.7	534	724.6	401	543.5	668	905.8	501	679.3
1	8	364	493.0	273	369.7	636	862.7	477	647.0	909	1232.4	682	924.3
1	12	398	539.3	298	404.5	696	943.9	522	707.9	995	1348.4	746	1011.3
1 1/4	7	727	985.3	545	739.0	1272	1724.3	954	1293.3	1817	2463.4	1363	1847.5
1 1/4	12	805	1091.1	604	818.3	1408	1909.4	1056	1432.1	2012	2727.7	1509	2045.8
1 1/2	6	1265	1714.4	948	1285.8	2213	3000.3	1660	2250.2	3161	4286.1	2371	3214.6
1 1/2	12	1423	1929.2	1067	1446.9	2490	3376.1	1868	2532.1	3557	4823.0	2668	3617.2
2	4.5	3000	4067.5	2250	3050.6	5250	7118.0	3938	5338.5	7500	10168.6	5625	7626.5
2	8	3324	4506.7	2493	3380.1	3878	5257.9	2909	3943.4	8310	11266.8	6233	8450.1

### SOCKET HEAD BOLTS

BOLT SIZE	THREAD PER INCH	GRADE 8			
		DRY		LUBRICATED	
		ft/lbs	Nm	ft/lbs	Nm
1/4	20	14	19.0	10	13.6
1/4	28	16	21.7	12	16.3
5/16	18	29	39.3	22	29.8
5/16	24	32	43.4	24	32.5
3/8	16	51	69.1	28	38.0
3/8	24	58	78.6	43	58.3
7/16	14	81	109.8	61	82.7
7/16	20	91	123.4	68	92.2
1/2	13	124	168.1	93	126.1
1/2	20	140	189.8	105	142.4
5/8	11	238	322.7	179	242.7
5/8	18	270	366.1	202	273.9
3/4	10	423	573.5	317	429.8
3/4	16	472	639.9	354	480.0

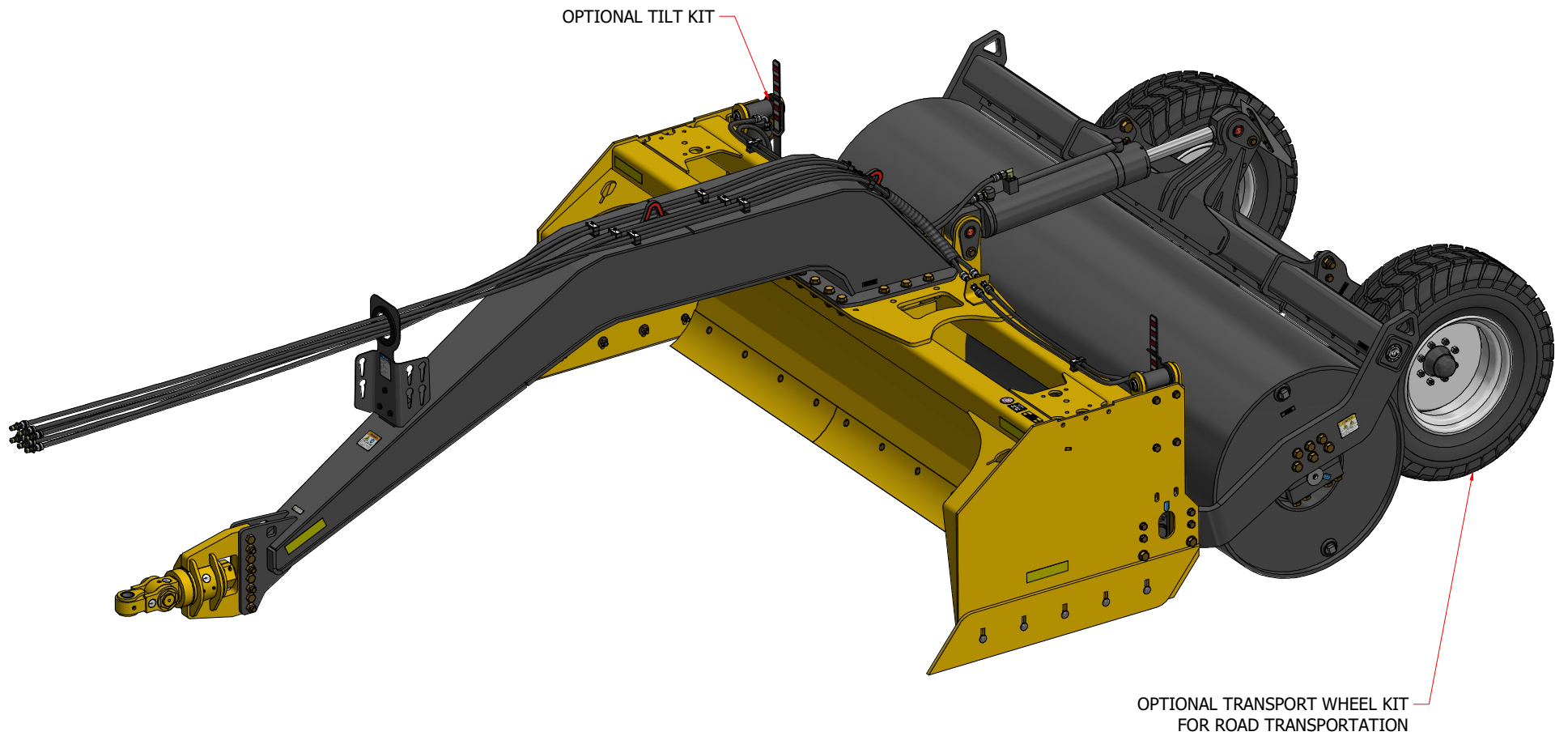
### LAG BOLTS

BOLT SIZE	THREAD PER INCH	GRADE 2	
		DRY	
		ft/lbs	Nm
5/8	5	50	67.8

## SECTION 1.00

### OVERVIEW

#### 2401 ROLLER LAND LEVELER



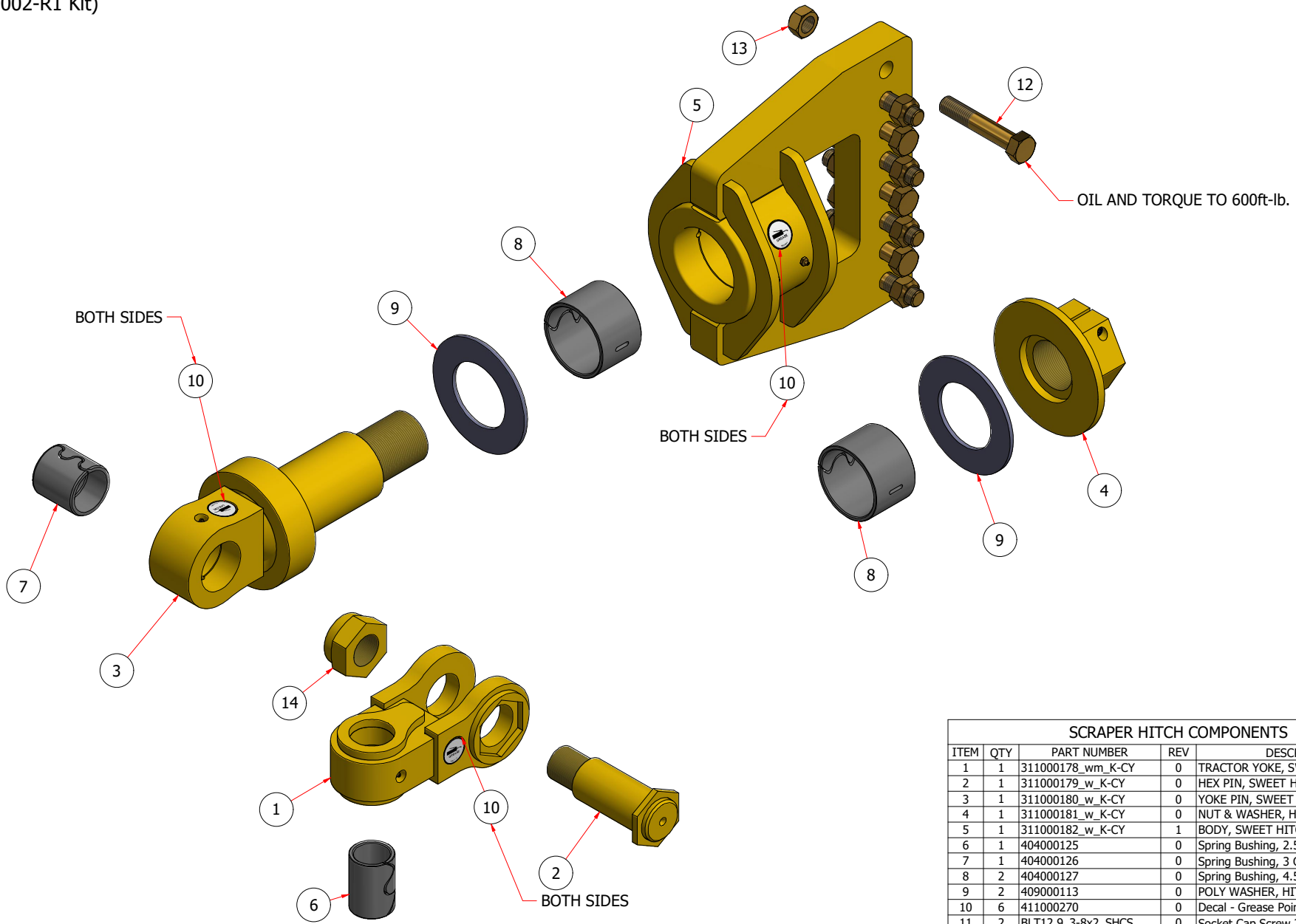
#### OPERATOR ORIENTATION

THE DIRECTIONS LEFT, RIGHT, FRONT, AND REAR, AS MENTIONED THROUGH OUT THE MANUAL, ARE AS SEEN FROM THE DRIVER'S SEAT AND FACING IN THE DIRECTION OF TRAVEL.

# SECTION 2.00

## STRUCTURAL

2401 RL12-14 LEVELER HITCH  
(311100002-R1 Kit)

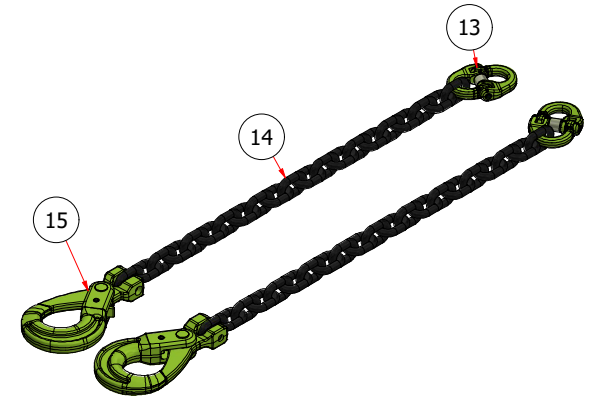
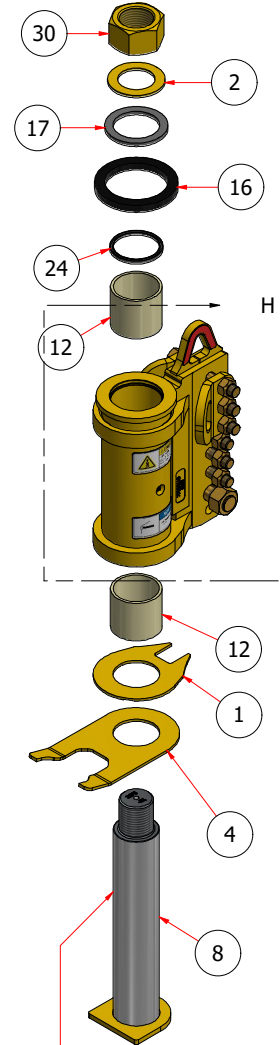
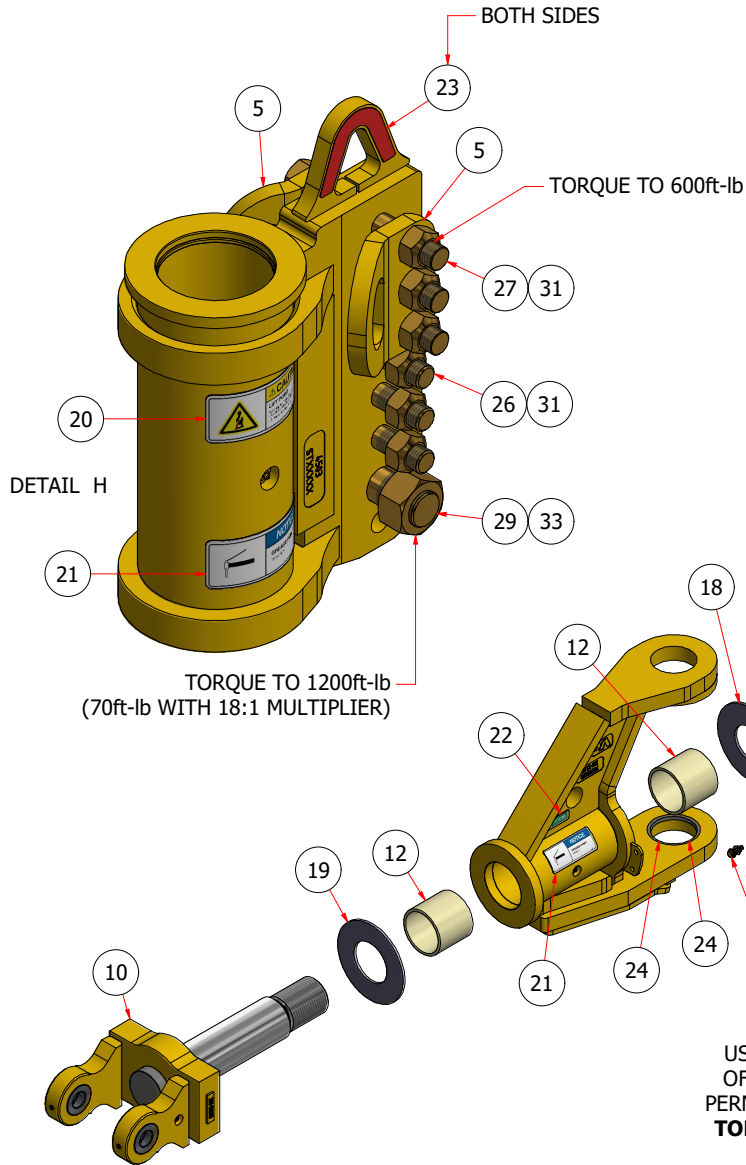


SCRAPER HITCH COMPONENTS				
ITEM	QTY	PART NUMBER	REV	DESCRIPTION
1	1	311000178_wm_K-CY	0	TRACTOR YOKE, SWEET HITCH
2	1	311000179_w_K-CY	0	HEX PIN, SWEET HITCH
3	1	311000180_w_K-CY	0	YOKE PIN, SWEET HITCH
4	1	311000181_w_K-CY	0	NUT & WASHER, HITCH HD
5	1	311000182_w_K-CY	1	BODY, SWEET HITCH
6	1	404000125	0	Spring Bushing, 2.5" X 2" X 3.5"
7	1	404000126	0	Spring Bushing, 3 OD, 2.5 ID, 3LG
8	2	404000127	0	Spring Bushing, 4.5" X 4" X 3"
9	2	409000113	0	POLY WASHER, HITCH
10	6	411000270	0	Decal - Grease Point Round
11	2	BLT12.9_3-8x2_SHCS	0	Socket Cap Screw 3/8"-16 x 2"
12	8	BLT8C_1x5_1-2	0	Bolt Gr. 8 UNC 1" x 5-1/2"
13	8	NUT8C_1_STL	0	Nut Gr. 8 UNC 1" Stover Lock
14	1	NUT8F_2_STL (12 TPI)	0	Nut Gr. 8 UNF 2"-12 TPI Stover Lock

# SECTION 2.00

## STRUCTURAL

2401 RL12-14 SCRAPER HITCH  
(311100035-R3 Kit)

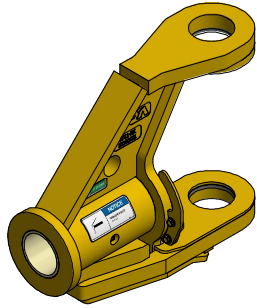


SCRAPER HITCH COMPONENTS

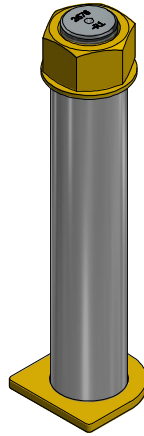
ITEM	QTY	PART NUMBER	REV	DESCRIPTION
1	1	101000106_cm_K	1	Grease_Thrust_Washer_Vertical .pin
2	1	101001956_c_K-CY	0	Washer_knuckle_vert.pin
3	2	101009913_c_K-CY	0	Knuckle, Chain Keeper
4	1	101009914_cb_K-CY	0	Knuckle, Thrust Washer
5	2	101010052_cvb_H-CY	2	Knuckle_Safety Chain Ear
6	1	301000053_w_K-CY	0	Washer 3 1/2" Squeeze Nut
7	1	301000054_wms_K-CY	2	Thrust Nut (Knuckle)
8	1	301002676_w_K-CY	1	Pin Vertical_4" (PG shaft induction hardend)
9	1	301002711_wm_K-CY	8	Knuckle, Sub-weldment
10	1	301003258_w_K-CY	4	Yoke, Ashland UNC
11	1	301004503_wm-CY	1	Vertical Bushing Weldment
12	4	404000009	0	Comp Bushing 4.00" ID x 4.50" OD x 4.00"
13	2	405500014	0	5/8" Grade 100 Coupling Link
14	2	405500032	0	Chain Grade 100 5/8" 21 Links
15	2	405500039	0	5/8" Grade 100 Clevis Self-Locking Hook
16	1	409000021	0	Seal .75"-7.25" OD-5.50" ID
17	1	409000022	0	Seal .375"- 5.50" OD- 4.06" ID
18	1	409000034	0	Thrust Washer .25"- 7.75" OD - 3.50" ID
19	1	409000100	1	Thrust Washer 0.250" x 8.00" OD x 4.063" ID
20	1	411000041	2	Decal - Caution Lift Point
21	2	411000046	2	Decal - Notice Grease Daily
22	1	411000102	1	Decal - Safety Tie Down
23	2	411000206	0	Decal - Lift Hook Highlight, Knuckle
24	2	422000003	0	Seal 4" Pin
25	1	BLT8C_1x4_1-2	0	Bolt Gr. 8 UNC 1" x 4-1/2"
26	3	BLT8C_1x5_1-2	0	Bolt Gr. 8 UNC 1" x 5-1/2"
27	3	BLT8C_1x7	0	Bolt Gr. 8 UNC 1" x 7"
28	4	BLT8C_3-8x1_1-4	0	Bolt Gr. 8 UNC 3/8" x 1-1/4"
29	1	BLT8F_1_1-2x5_1-2	0	Bolt Gr. 8 UNF 1-1/2" x 5-1/2"
30	1	NUT2C_3_m_N-CY	0	Nut Gr. 2 UNC 3" Machined and Painted
31	7	NUT8C_1_STL	0	Nut Gr. 8 UNC 1" Stover Lock
32	4	NUT8C_3-8_STL	0	Nut Gr. 8 UNC 3/8" Stover Lock
33	1	NUT8F_1_1-2	0	Nut Gr. 8 UNF 1-1/2"
34	1	WSH8_1_STR	0	Washer Gr. 8 - 1" Structural
35	8	WSH8_3-8_STR	0	Washer Gr. 8 - 3/8" Structural

USE TWO, 1/4" WIDE BEADS OF MEDIUM STRENGTH NON PERMANENT THREAD LOCKER. TORQUE TO 75 FT/LB MAX

# SECTION 2.00 KITS

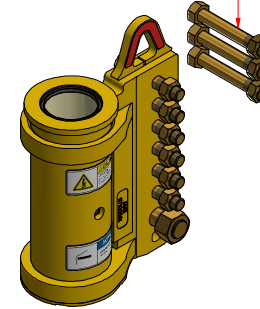


301100100-R3 Kit	
QTY	DESCRIPTION
4	Bolt Gr. 8 UNC 3/8" x 1-1/4"
2	Comp Bushing 4.00" ID x 4.50" OD x 4.00"
1	Decal - Notice Grease Daily
1	Decal - Safety Tie Down
2	Knuckle, Chain Keeper
1	Knuckle, Sub-weldment
1	Knuckle, Thrust Washer
4	Nut Gr. 8 UNC 3/8" Stover Lock
1	Seal .375"- 5.50" OD- 4.06" ID
1	Seal .75"-7.25" OD-5.50" ID
1	Seal 4" Pin
8	Washer Gr. 8 - 3/8" Structural

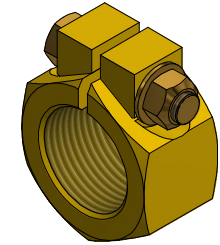


301100103-R1 Kit	
QTY	DESCRIPTION
1	Nut Gr. 2 UNC 3" Machined and Painted
1	Pin Vertical_4" (PG shaft induction hardend)
1	Washer_knuckle_vert.pin

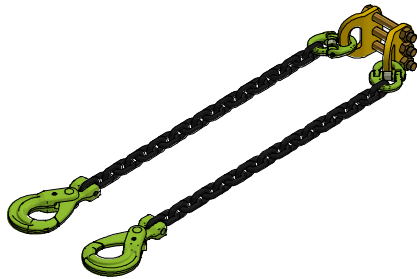
IF YOU HAVE SAFETY CHAINS,  
USE LONGER INCLUDED BOLTS.



301100104-R4 Kit	
QTY	DESCRIPTION
6	Bolt Gr. 8 UNC 1" x 5-1/2"
3	Bolt Gr. 8 UNC 1" x 7"
1	Bolt Gr. 8 UNF 1-1/2" x 5-1/2"
2	Comp Bushing 4.00" ID x 4.50" OD x 4.00"
1	Decal - Caution Lift Point
2	Decal - Lift Hook Highlight, Knuckle
1	Decal - Notice Grease Daily
1	Grease_Thrust_Washer_Vertical .pin
9	Nut Gr. 8 UNC 1" Stover Lock
1	Nut Gr. 8 UNF 1-1/2"
1	Seal 4" Pin
1	Vertical Bushing Weldment



301100248 Kit	
QTY	DESCRIPTION
1	Bolt Gr. 8 UNC 1" x 4-1/2"
1	Nut Gr. 8 UNC 1" Stover Lock
1	Thrust Nut (Knuckle)
1	Washer Gr. 8 - 1" Structural



21 LINK SAFETY CHAINS

301100268-R2 Kit	
QTY	DESCRIPTION
2	5/8" GR 100 Clevis Self-Locking Hook
2	5/8" GR 100 Coupling Link
3	Bolt Gr. 8 UNC 1" x 7"
2	Chain Grade 100 5/8" 21 Links
2	Knuckle_Safety Chain Ear
3	Nut Gr. 8 UNC 1" Stover Lock

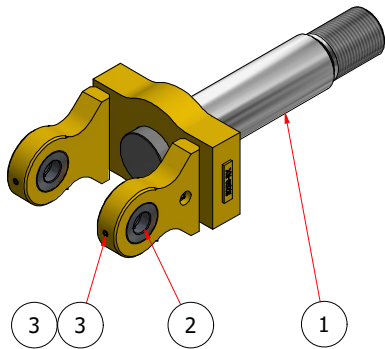


24 LINK SAFETY CHAINS

301100260-R3 Kit	
QTY	DESCRIPTION
2	5/8" GR 100 Clevis Self-Locking Hook
2	5/8" GR 100 Coupling Link
3	Bolt Gr. 8 UNC 1" x 7"
2	Chain Grade 100 5/8" 24 Links
2	Knuckle_Safety Chain Ear
3	Nut Gr. 8 UNC 1" Stover Lock

# SECTION 2.00 KITS

## 1.5" ASHLAND

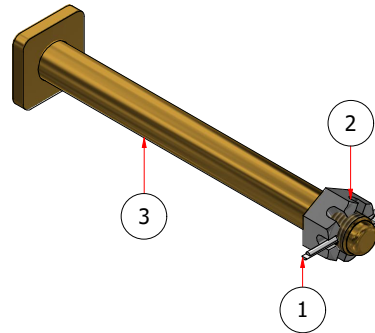


Pin Not Included, Sold Separately

301003258-R2

ITEM	QTY	PART NUMBER	REV	DESCRIPTION
1	1	201004500_sm_K	4	Shaft for AI Spaced K-Tec Yoke
2	2	211000217_smh_K	0	Yoke, Bushing 1.5" ID 3" OD
3	4	405000121	0	SSS CN 1/2-13 UNC x 5/8"

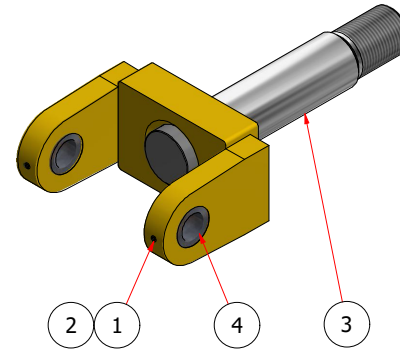
## 1.5" ASHLAND PIN



311100010 Kit

ITEM	QTY	PART NUMBER	REV	DESCRIPTION
1	1	405000002	0	Cotter Pin 1/4" x 3"
2	1	NUT5C_1_1-2 CSTL	0	Nut Gr. 5 UNF 1-1/2" Castle
3	1	311000171_w_PIN	0	PIN ASSY, HITCH 4-EAR

## 2" K-TEC

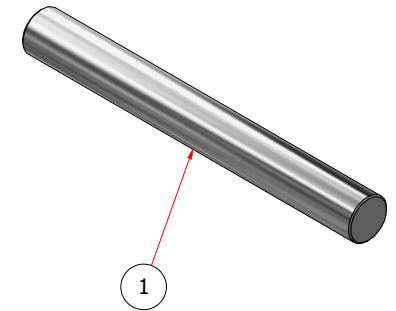


Pin Not Included, Sold Separately

301004500-R2

ITEM	QTY	PART NUMBER	REV	DESCRIPTION
1	2	405000121	0	SSS CN 1/2-13 UNC x 5/8"
2	2	405000122	0	SetScrew 1/2-13 UNC x 3/4" L
3	1	201004500_sm_K	4	Shaft_knuckle longitudinal
4	2	201004041_smh_K	0	Yoke, K-Tec Bushing

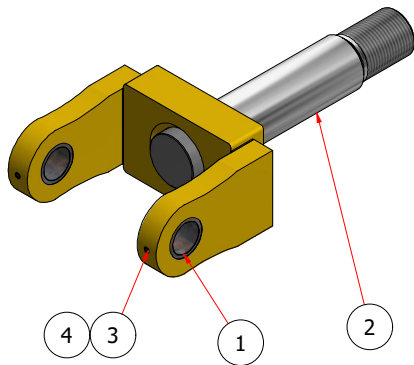
## 2" K-TEC PIN (ONLY USED WITH K-TEC DRAWBARS)



205001668

ITEM	QTY	PART NUMBER	REV	DESCRIPTION
1	1	205001668_s	1	Pin K-Tec Yoke 2" x 17.25"

## 60mm JD

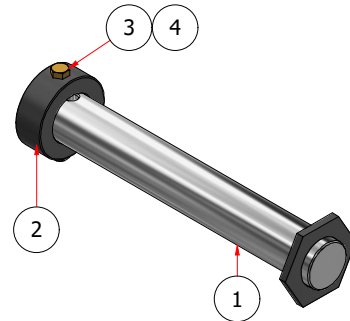


Pin Not Included, Supplied By Customer

301003261-R1

ITEM	QTY	PART NUMBER	REV	DESCRIPTION
15	2	101011400_cm_K	0	Ear_knuckle_yoke
1	2	201001950_smh3K	2	Yoke, JD 60mm Bushings
2	1	201004500_sm_K	4	Shaft_knuckle longitudinal
3	2	405000121	0	SSS CN 1/2-13 UNC x 5/8"
4	2	405000122	0	SetScrew 1/2-13 UNC x 3/4" L

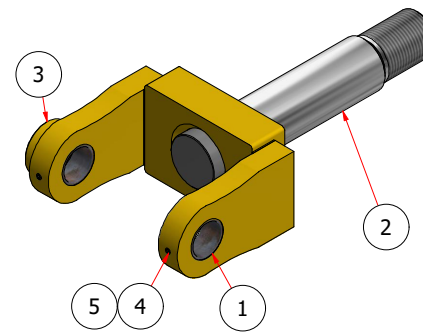
## 60mm JD PIN



311100022 Kit

ITEM	QTY	PART NUMBER	REV	DESCRIPTION
1	1	311000465_w_PIN	0	WELDMENT, HITCH PIN
2	1	211000072_sm-CG	0	KEEPER, PIN
3	1	BLT8C_1-2x4_1-2	0	Bolt Gr. 8 UNC 1/2" x 4-1/2"
4	1	NUT8C_1-2_STL	0	Nut Gr. 8 UNC 1/2" Stover Lock

## 65mm JD

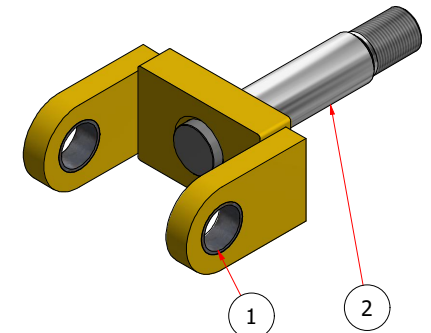


Pin Not Included, Supplied By Customer

301100249-R1 Kit (301003260 Yoke)

ITEM	QTY	PART NUMBER	REV	DESCRIPTION
1	2	201001939_smh3K	2	Yoke, JD 65mm Bushings
2	1	201004500_sm_K	4	Shaft_knuckle longitudinal
3	1	205050002_sm-CY	1	J.D 65mm pin spacer
4	2	405000121	0	SSS CN 1/2-13 UNC x 5/8"
5	2	405000122	0	SetScrew 1/2-13 UNC x 3/4" L

## 3.5" MTS/EJECT



Pin Not Included, Supplied By Customer

301003259

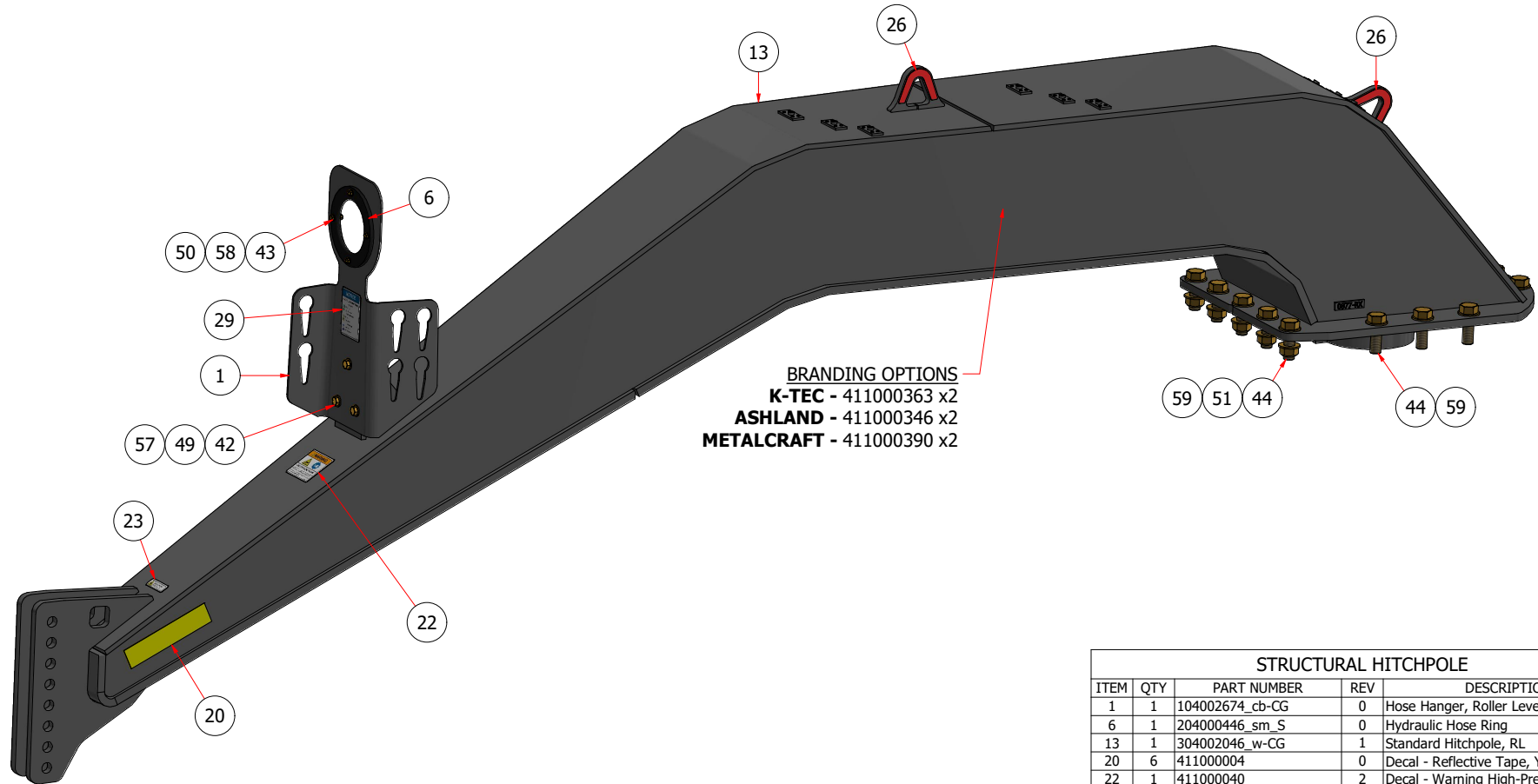
ITEM	QTY	PART NUMBER	REV	DESCRIPTION
1	2	201002114_smh_K	1	HT Wear Bushing Eject Yoke
2	1	201004500_sm_K	4	Shaft_knuckle longitudinal



# SECTION 2.01

## STRUCTURAL

### 2401 RL12-14 HITCHPOLE

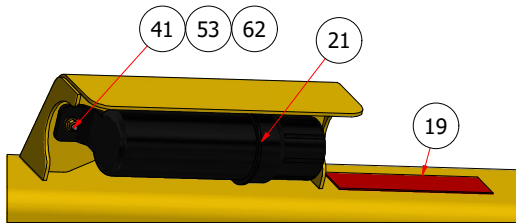
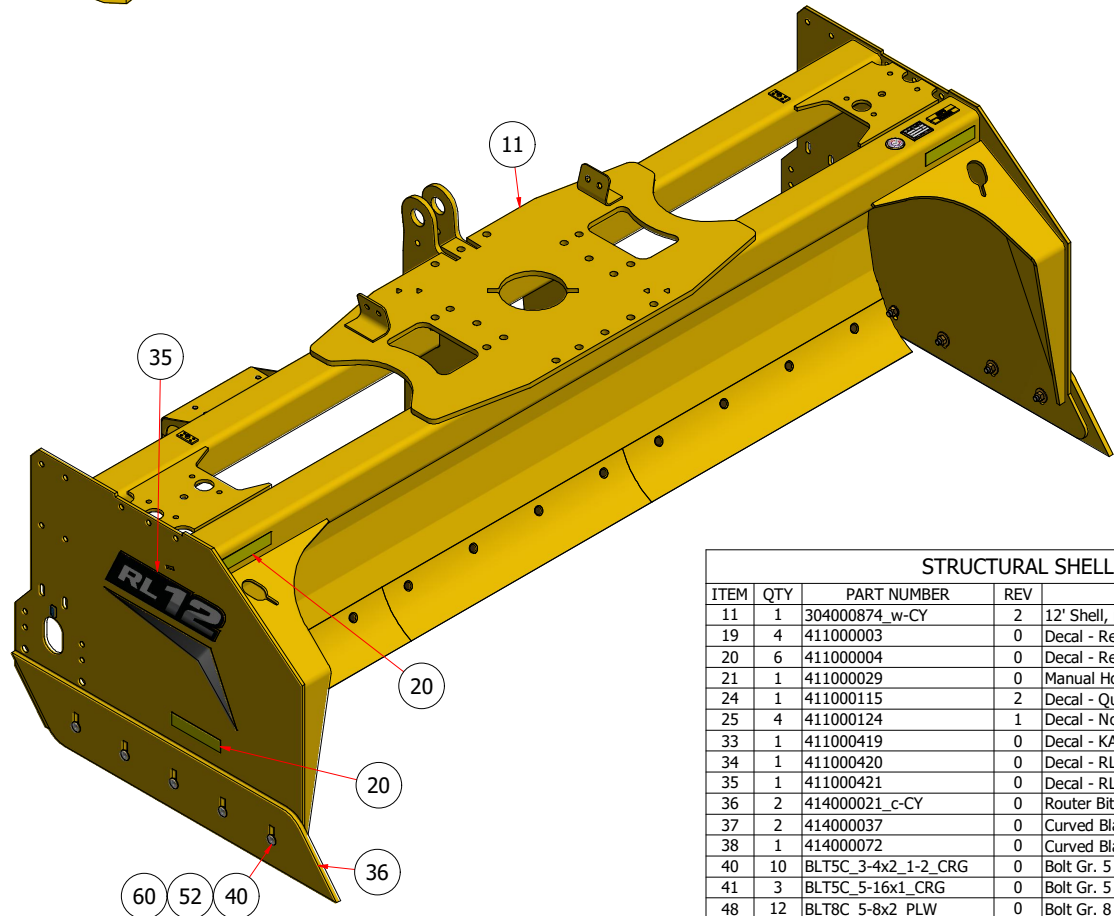
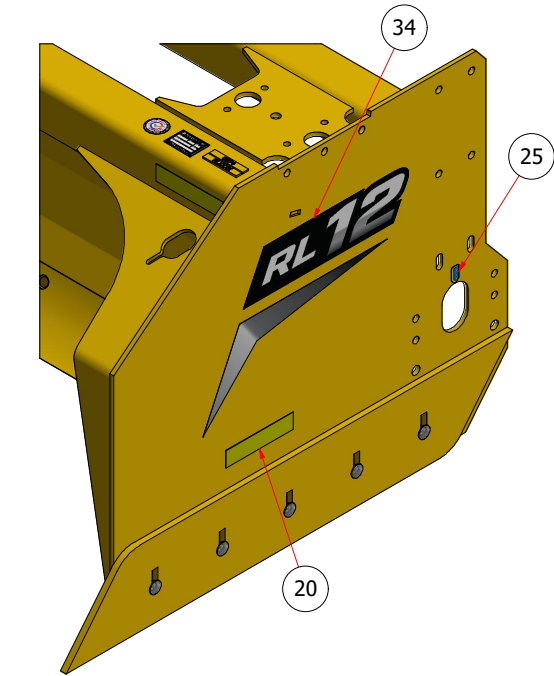
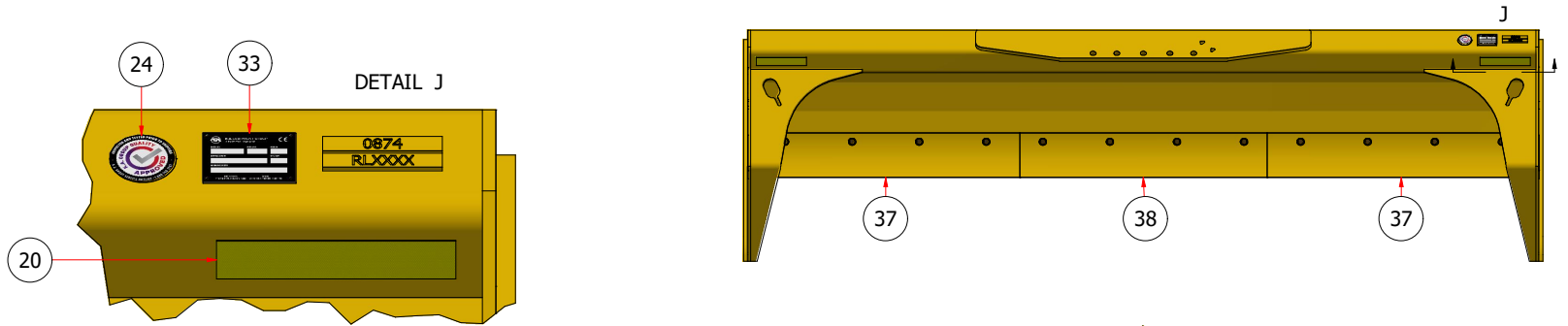


STRUCTURAL HITCHPOLE				
ITEM	QTY	PART NUMBER	REV	DESCRIPTION
1	1	104002674_cb-CG	0	Hose Hanger, Roller Leveler
6	1	204000446_sm_S	0	Hydraulic Hose Ring
13	1	304002046_w-CG	1	Standard Hitchpole, RL
20	6	411000004	0	Decal - Reflective Tape, Yellow
22	1	411000040	2	Decal - Warning High-Pressure Hyd
23	1	411000097	1	Decal - Warning Pinch Small
26	4	411000206	0	Decal - Lift Hook Highlight, Knuckle
29	1	411000359	1	Decal - RL Notice Color Code
42	3	BLT8C_1-2x1_1-2	0	Bolt Gr. 8 UNC 1/2" x 1-1/2"
43	4	BLT8C_1-4x1	0	Bolt Gr. 8 UNC 1/4" x 1"
44	26	BLT8C_1x3	0	Bolt Gr. 8 UNC 1" x 3"
49	18	NUT8C_1-2_STL	0	Nut Gr. 8 UNC 1/2" Stover Lock
50	4	NUT8C_1-4_STL	0	Nut Gr. 8 UNC 1/4" Stover Lock
51	5	NUT8C_1_STL	0	Nut Gr. 8 UNC 1" Stover Lock
57	21	WSH8_1-2_STR	0	Washer Gr. 8 - 1/2" Structural
58	8	WSH8_1-4_STR	0	Washer Gr. 8 - 1/4" Structural
59	39	WSH8_1_STR	0	Washer Gr. 8 - 1" Structural

# SECTION 2.01

## STRUCTURAL

2401 RL12 SHELL



STRUCTURAL SHELL

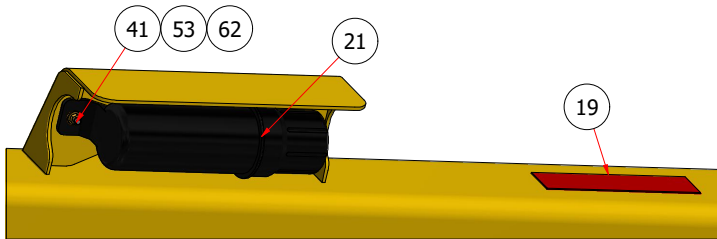
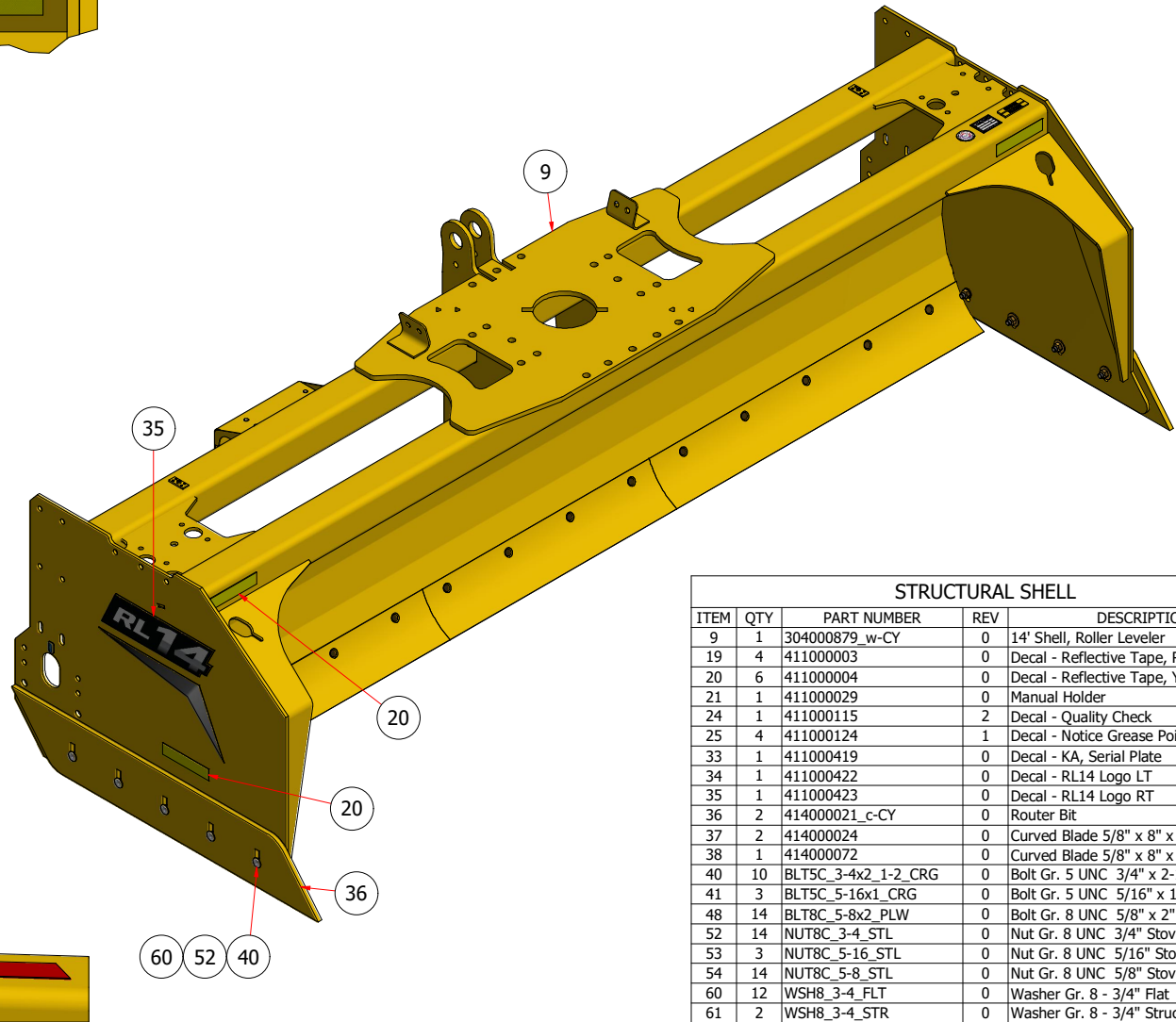
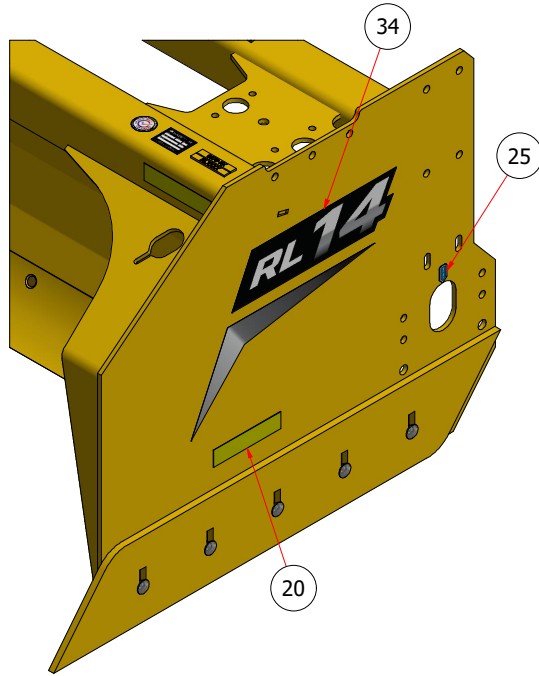
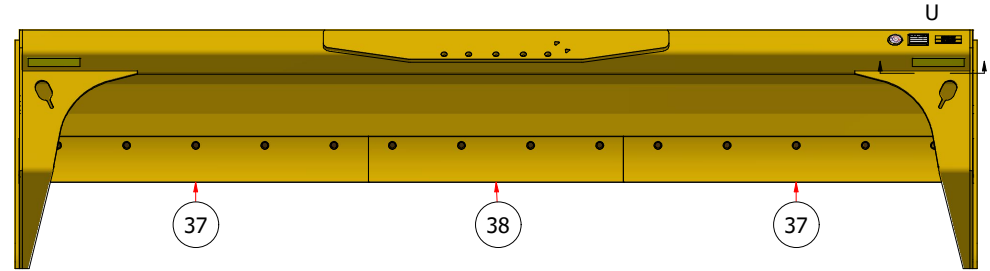
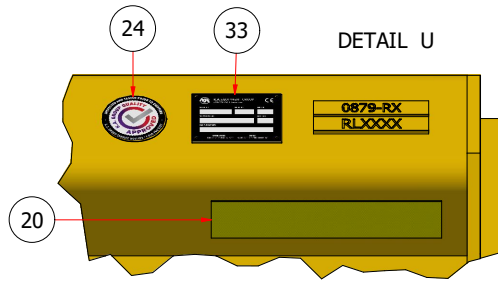
ITEM	QTY	PART NUMBER	REV	DESCRIPTION
11	1	304000874_w-CY	2	12' Shell, Roller Leveler
19	4	411000003	0	Decal - Reflective Tape, Red
20	6	411000004	0	Decal - Reflective Tape, Yellow
21	1	411000029	0	Manual Holder
24	1	411000115	2	Decal - Quality Check
25	4	411000124	1	Decal - Notice Grease Point Marker
33	1	411000419	0	Decal - KA, Serial Plate
34	1	411000420	0	Decal - RL12 Logo LT
35	1	411000421	0	Decal - RL12 Logo RT
36	2	414000021_c-CY	0	Router Bit
37	2	414000037	0	Curved Blade 5/8" x 8" x 4"
38	1	414000072	0	Curved Blade 5/8" x 8" x 44-1/4"
40	10	BLT5C_3-4x2_1-2_CRG	0	Bolt Gr. 5 UNC 3/4" x 2-1/2" Carriage
41	3	BLT5C_5-16x1_CRG	0	Bolt Gr. 5 UNC 5/16" x 1" Carriage
48	12	BLT8C_5-8x2_PLW	0	Bolt Gr. 8 UNC 5/8" x 2" Plow
52	14	NUT8C_3-4_STL	0	Nut Gr. 8 UNC 3/4" Stover Lock
53	3	NUT8C_5-16_STL	0	Nut Gr. 8 UNC 5/16" Stover Lock
54	12	NUT8C_5-8_STL	0	Nut Gr. 8 UNC 5/8" Stover Lock
60	12	WSH8_3-4_FLT	0	Washer Gr. 8 - 3/4" Flat
61	2	WSH8_3-4_STR	0	Washer Gr. 8 - 3/4" Structural
62	3	WSH8_5-16_STR	0	Washer Gr. 8 - 5/16" Structural
63	12	WSH8_5-8_STR	0	Washer Gr. 8 - 5/8" Structural

# SECTION 2.01

## STRUCTURAL

2401 RL14 SHELL

DETAIL U



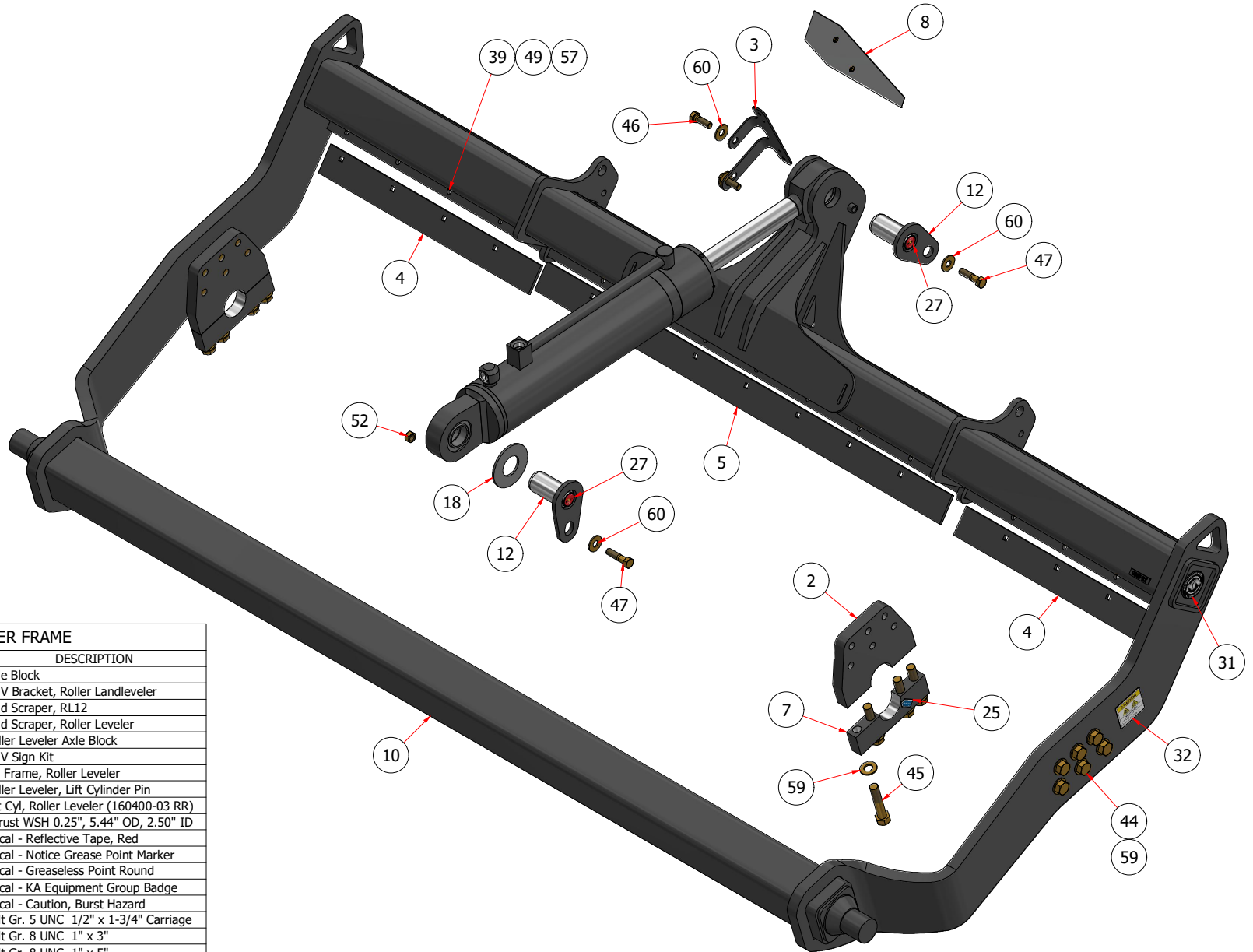
STRUCTURAL SHELL

ITEM	QTY	PART NUMBER	REV	DESCRIPTION
9	1	304000879_w-CY	0	14' Shell, Roller Leveler
19	4	411000003	0	Decal - Reflective Tape, Red
20	6	411000004	0	Decal - Reflective Tape, Yellow
21	1	411000029	0	Manual Holder
24	1	411000115	2	Decal - Quality Check
25	4	411000124	1	Decal - Notice Grease Point Marker
33	1	411000419	0	Decal - KA, Serial Plate
34	1	411000422	0	Decal - RL14 Logo LT
35	1	411000423	0	Decal - RL14 Logo RT
36	2	414000021_c-CY	0	Router Bit
37	2	414000024	0	Curved Blade 5/8" x 8" x 5'
38	1	414000072	0	Curved Blade 5/8" x 8" x 44-1/4"
40	10	BLT5C_3-4x2_1-2_CRG	0	Bolt Gr. 5 UNC 3/4" x 2-1/2" Carriage
41	3	BLT5C_5-16x1_CRG	0	Bolt Gr. 5 UNC 5/16" x 1" Carriage
48	14	BLT8C_5-8x2_PLW	0	Bolt Gr. 8 UNC 5/8" x 2" Plow
52	14	NUT8C_3-4_STL	0	Nut Gr. 8 UNC 3/4" Stover Lock
53	3	NUT8C_5-16_STL	0	Nut Gr. 8 UNC 5/16" Stover Lock
54	14	NUT8C_5-8_STL	0	Nut Gr. 8 UNC 5/8" Stover Lock
60	12	WSH8_3-4_FLT	0	Washer Gr. 8 - 3/4" Flat
61	2	WSH8_3-4_STR	0	Washer Gr. 8 - 3/4" Structural
62	3	WSH8_5-16_STR	0	Washer Gr. 8 - 5/16" Structural
63	14	WSH8_5-8_STR	0	Washer Gr. 8 - 5/8" Structural

# SECTION 2.01

## STRUCTURAL

### 2401 RL12 ROLLER FRAME



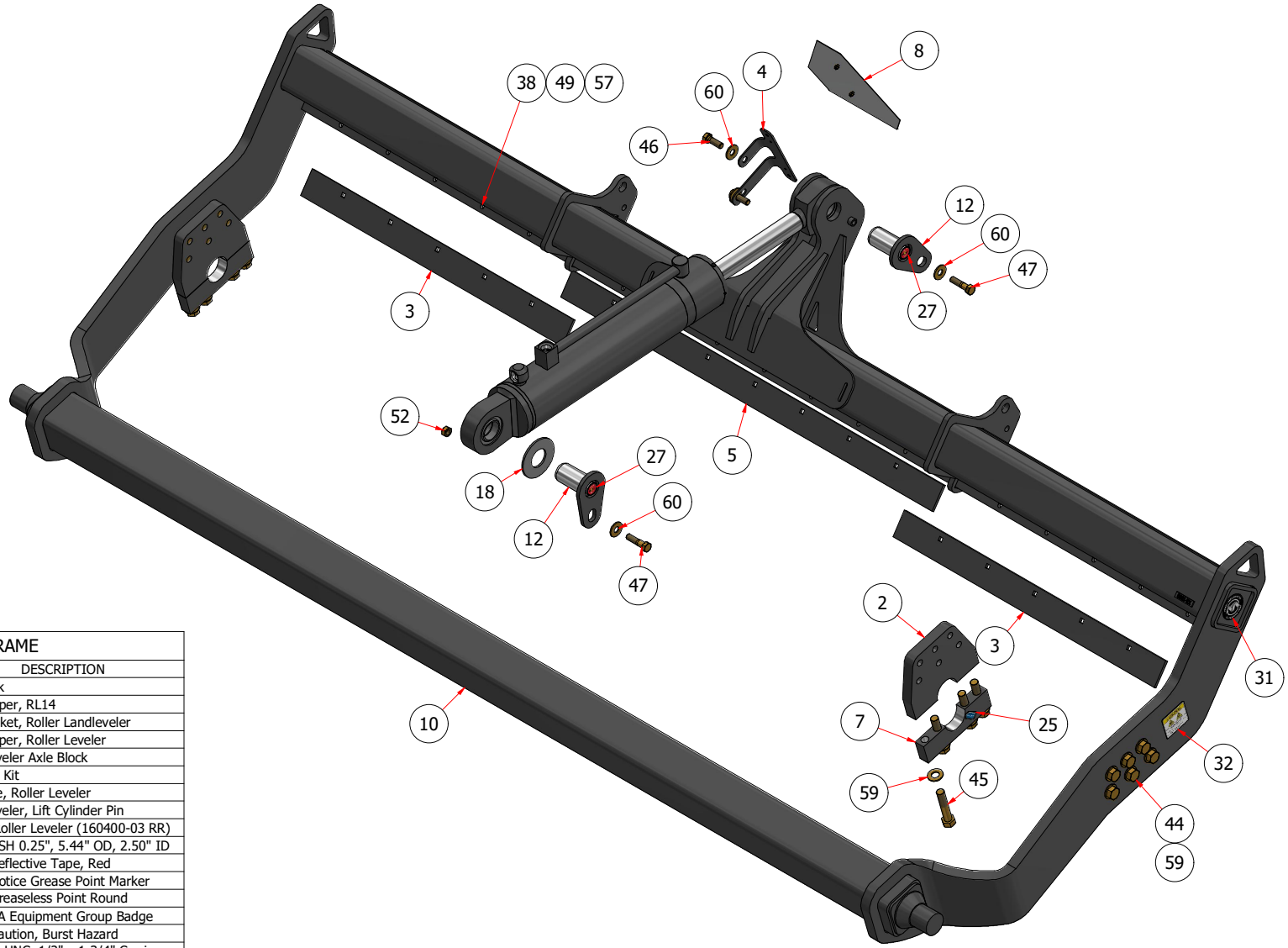
STRUCTURAL ROLLER FRAME

ITEM	QTY	PART NUMBER	REV	DESCRIPTION
2	2	104002689_cm_W-CG	2	Axle Block
3	1	104003701_cb-CG	0	SMV Bracket, Roller Landleveler
4	2	104003702_c-CG	1	Mud Scraper, RL12
5	1	104003703_c-CG	1	Mud Scraper, Roller Leveler
7	2	204000490_sm_W-CG	1	Roller Leveler Axle Block
8	1	301100314 Kit	0	SMV Sign Kit
10	1	304000869_w-CG	2	12' Frame, Roller Leveler
12	2	304002044_w_PIN-CG	0	Roller Leveler, Lift Cylinder Pin
17	1	401200016-CG	0	Lift Cyl, Roller Leveler (160400-03 RR)
18	4	409000112	1	Thrust WSH 0.25", 5.44" OD, 2.50" ID
19	4	411000003	0	Decal - Reflective Tape, Red
25	4	411000124	1	Decal - Notice Grease Point Marker
27	2	411000278	1	Decal - Greaseless Point Round
31	2	411000391	0	Decal - KA Equipment Group Badge
32	2	411000416	0	Decal - Caution, Burst Hazard
39	15	BLT5C_1-2x1_3-4_CRG	0	Bolt Gr. 5 UNC 1/2" x 1-3/4" Carriage
44	26	BLT8C_1x3	0	Bolt Gr. 8 UNC 1" x 3"
45	8	BLT8C_1x5	0	Bolt Gr. 8 UNC 1" x 5"
46	2	BLT8C_3-4x2_1-4	0	Bolt Gr. 8 UNC 3/4" x 2-1/4"
47	2	BLT8C_3-4x3	0	Bolt Gr. 8 UNC 3/4" x 3"
49	18	NUT8C_1-2_STL	0	Nut Gr. 8 UNC 1/2" Stover Lock
52	14	NUT8C_3-4_STL	0	Nut Gr. 8 UNC 3/4" Stover Lock
57	21	WSH8_1-2_STR	0	Washer Gr. 8 - 1/2" Structural
59	39	WSH8_1_STR	0	Washer Gr. 8 - 1" Structural
60	12	WSH8_3-4_FLT	0	Washer Gr. 8 - 3/4" Flat

# SECTION 2.01

## STRUCTURAL

### 2401 RL14 ROLLER FRAME



STRUCTURAL ROLLER FRAME

ITEM	QTY	PART NUMBER	REV	DESCRIPTION
2	2	104002689_cm_W-CG	2	Axle Block
3	2	104002717_c-CG	0	Mud Scraper, RL14
4	1	104003701_cb-CG	0	SMV Bracket, Roller Landleveler
5	1	104003703_c-CG	1	Mud Scraper, Roller Leveler
7	2	204000490_sm_W-CG	1	Roller Leveler Axle Block
8	1	301100314 Kit	0	SMV Sign Kit
10	1	304000881_w-CG	0	14' Frame, Roller Leveler
12	2	304002044_w_PIN-CG	0	Roller Leveler, Lift Cylinder Pin
17	1	401200016-CG	0	Lift Cyl, Roller Leveler (160400-03 RR)
18	4	409000112	1	Thrust WSH 0.25", 5.44" OD, 2.50" ID
19	4	411000003	0	Decal - Reflective Tape, Red
25	4	411000124	1	Decal - Notice Grease Point Marker
27	2	411000278	1	Decal - Greaseless Point Round
31	2	411000391	0	Decal - KA Equipment Group Badge
32	2	411000416	0	Decal - Caution, Burst Hazard
39	17	BLT5C_1-2x1_3-4_CRG	0	Bolt Gr. 5 UNC 1/2" x 1-3/4" Carriage
44	26	BLT8C_1x3	0	Bolt Gr. 8 UNC 1" x 3"
45	8	BLT8C_1x5	0	Bolt Gr. 8 UNC 1" x 5"
46	2	BLT8C_3-4x2_1-4	0	Bolt Gr. 8 UNC 3/4" x 2-1/4"
47	2	BLT8C_3-4x3	0	Bolt Gr. 8 UNC 3/4" x 3"
49	20	NUT8C_1-2_STL	0	Nut Gr. 8 UNC 1/2" Stover Lock
52	14	NUT8C_3-4_STL	0	Nut Gr. 8 UNC 3/4" Stover Lock
57	23	WSH8_1-2_STR	0	Washer Gr. 8 - 1/2" Structural
59	39	WSH8_1_STR	0	Washer Gr. 8 - 1" Structural
60	12	WSH8_3-4_FLT	0	Washer Gr. 8 - 3/4" Flat

## SECTION 2.01

### STRUCTURAL

2401 RL12 ROLLER DRUM



STRUCTURAL ROLLER DRUM					
ITEM	QTY	PART NUMBER	REV	DESCRIPTION	
1	1	304000868_w-CG	1	12' Roller	
2	2	304001401_a_W	0	Roller Hub and Spindle Asm	
3	2	405000182	0	LP Pipe Fitting, 2 NPT	
4	20	BLT8F_3-4x2_3-4_STUD	0	3/4-16 X 2 3/4" LG, (E-5720-R)	
5	20	NUT8F_3-4_LUG	0	Nut Gr. 8 UNF 3/4" -16 Conical Lug Nut	
6	20	WSH8_3-4_FLT	0	Washer Gr. 8 - 3/4" Flat	

**SECTION 2.01**

**STRUCTURAL**

2401 RL14 ROLLER DRUM

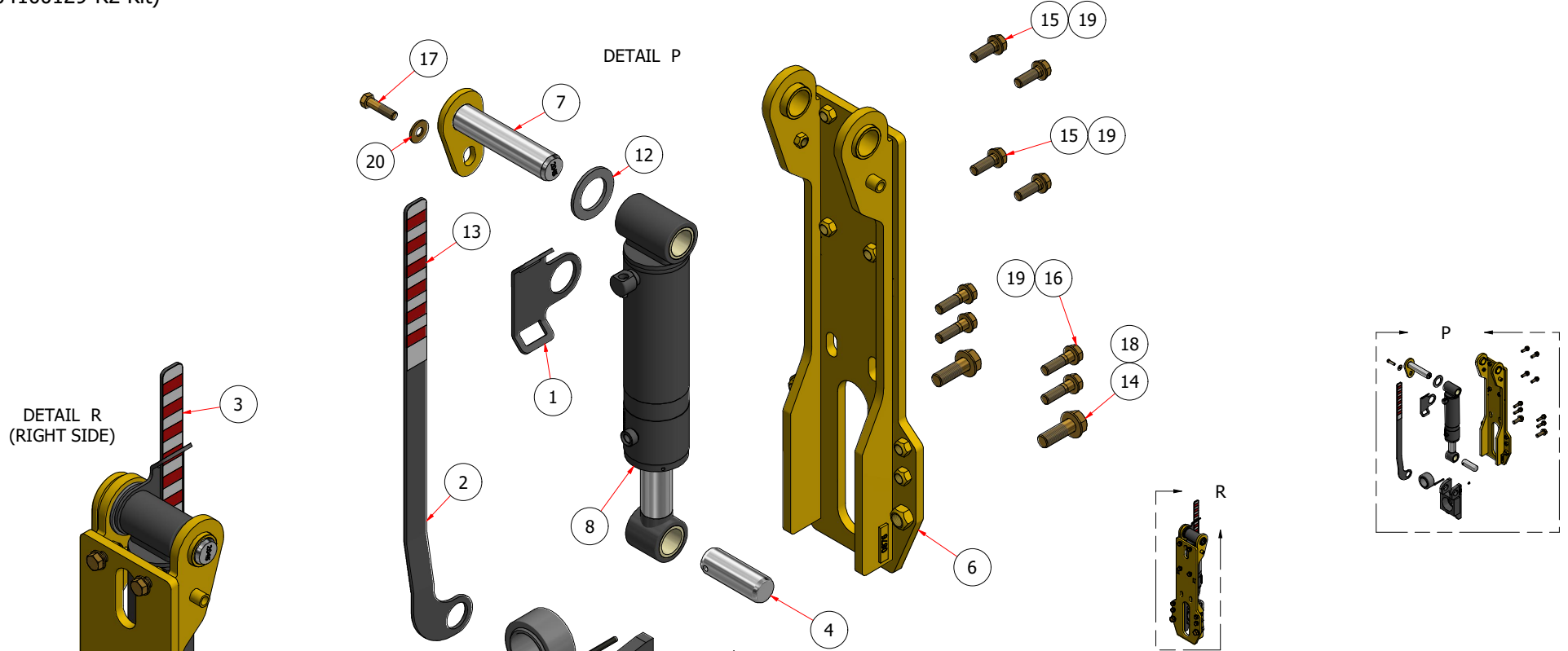


STRUCTURAL ROLLER DRUM				
ITEM	QTY	PART NUMBER	REV	DESCRIPTION
1	1	304000882_w-CG	0	14' Roller
2	2	304001401_a_W	0	Roller Hub and Spindle Asm
3	2	405000182	0	LP Pipe Fitting, 2 NPT
4	20	BLT8F_3-4x2_3-4_STUD	0	3/4-16 X 2 3/4" LG, (E-5720-R)
5	20	NUT8F_3-4_LUG	0	Nut Gr. 8 UNF 3/4" -16 Conical Lug Nut
6	20	WSH8_3-4_FLT	0	Washer Gr. 8 - 3/4" Flat

# SECTION 2.01

## STRUCTURAL

2401 RL12-14 TILT KIT  
(304100129-R2 Kit)



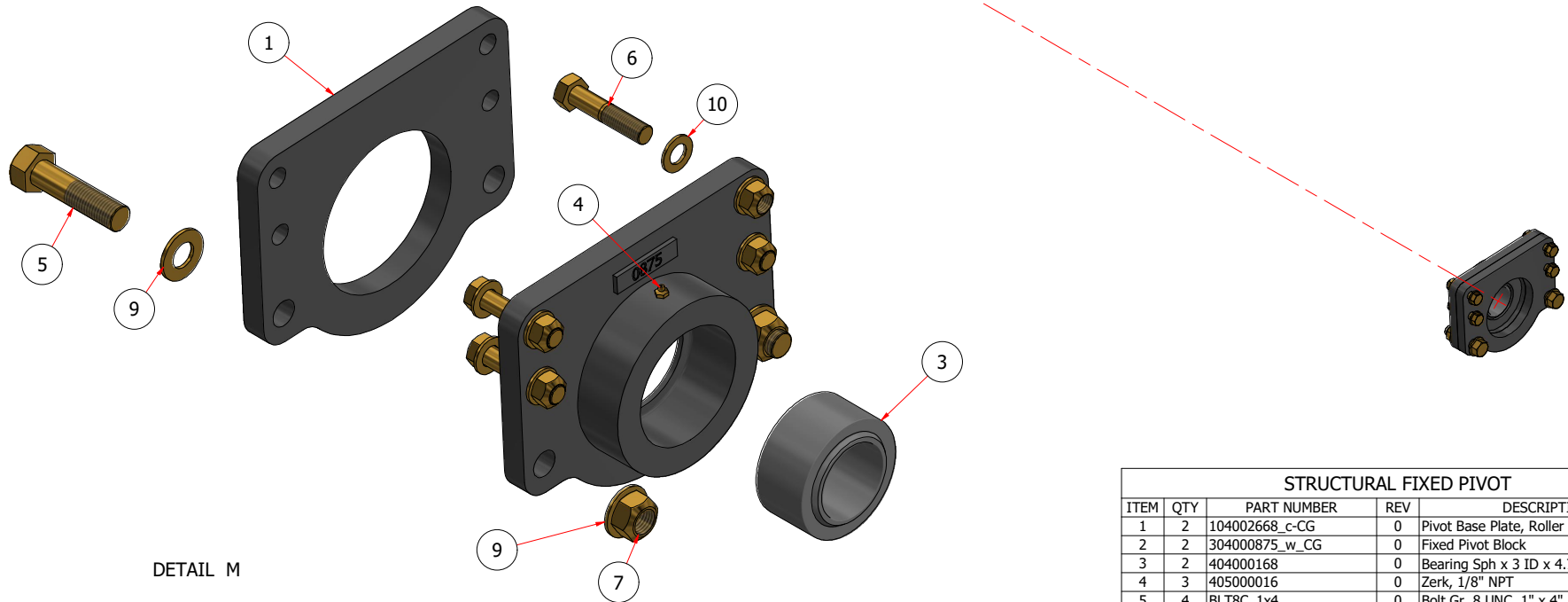
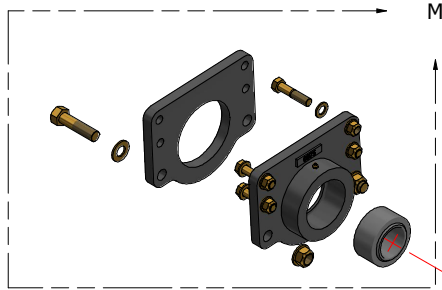
STRUCTURAL TILT				
ITEM	QTY	PART NUMBER	REV	DESCRIPTION
1	2	104002671_cb-CG	0	Tilt Indicator Sleeve, Roller Leveler
2	1	104003723_cb-CG	1	Left Side Tilt Indicator, Roller Leveler
3	1	104003724_cb-CG	1	Tilt Indicator, Roller Leveler
4	2	204000590_sm_PIN	0	PIN, 2" X 5.375"
5	2	304000872_w_CG	2	Sliding Pivot Block
6	2	304000876_w-CY	1	Pivot Cyl Mount Weldment
7	2	304002045_w_PIN-CY	0	Roller Leveler, Tilt Cylinder Pin
8	2	401200030-CG	0	Gate Cyl. EJB (140650A-00)
9	2	404000168	0	Bearing, Sph 3 ID x 4.75 OD x 2.625
10	2	405000016	0	Zerk, 1/8" NPT
11	2	405000191	0	Roll Pin 3/8" x 4"
12	2	409000118	0	Thrust WSH .25"- 4.00" OD - 2.50" ID
13	2	411000379	0	Decal - Tilt Indicator, Roller Leveler
14	4	BLT8C_1x3	0	Bolt Gr. 8 UNC 1" x 3"
15	8	BLT8C_3-4x2_1-4	0	Bolt Gr. 8 UNC 3/4" x 2-1/4"
16	8	BLT8C_3-4x2_3-4	0	Bolt Gr. 8 UNC 3/4" x 2-3/4"
17	2	BLT8C_5-8x2_1-2	0	Bolt Gr. 8 UNC 5/8" x 2-1/2"
18	4	WSH8_1_STR	0	Washer Gr. 8 - 1" Structural
19	16	WSH8_3-4_STR	0	Washer Gr. 8 - 3/4" Structural
20	2	WSH8_5-8_FLT	0	Washer Gr. 8 - 5/8" Flat



# SECTION 2.01

## STRUCTURAL

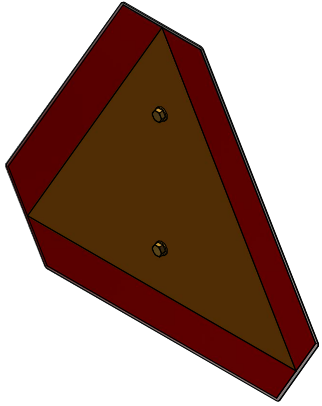
2401 RL12-14 FIXED PIVOT  
(304100130 Kit)



DETAIL M

STRUCTURAL FIXED PIVOT				
ITEM	QTY	PART NUMBER	REV	DESCRIPTION
1	2	104002668_c-CG	0	Pivot Base Plate, Roller Leveler
2	2	304000875_w_CG	0	Fixed Pivot Block
3	2	404000168	0	Bearing Sph x 3 ID x 4.75 OD x 2.625
4	3	405000016	0	Zerk, 1/8" NPT
5	4	BLT8C_1x4	0	Bolt Gr. 8 UNC 1" x 4"
6	8	BLT8C_3-4x3_1-2	0	Bolt Gr. 8 UNC 3/4" x 3-1/2"
7	4	NUT8C_1_STL	0	Nut Gr. 8 UNC 1" Stover Lock
8	8	NUT8C_3-4_STL	0	Nut Gr. 8 UNC 3/4" Stover Lock
9	8	WSH8_1_STR	0	Washer Gr. 8 - 1" Structural
10	16	WSH8_3-4_STR	0	Washer Gr. 8 - 3/4" Structural

## SECTION 2.01 KITS

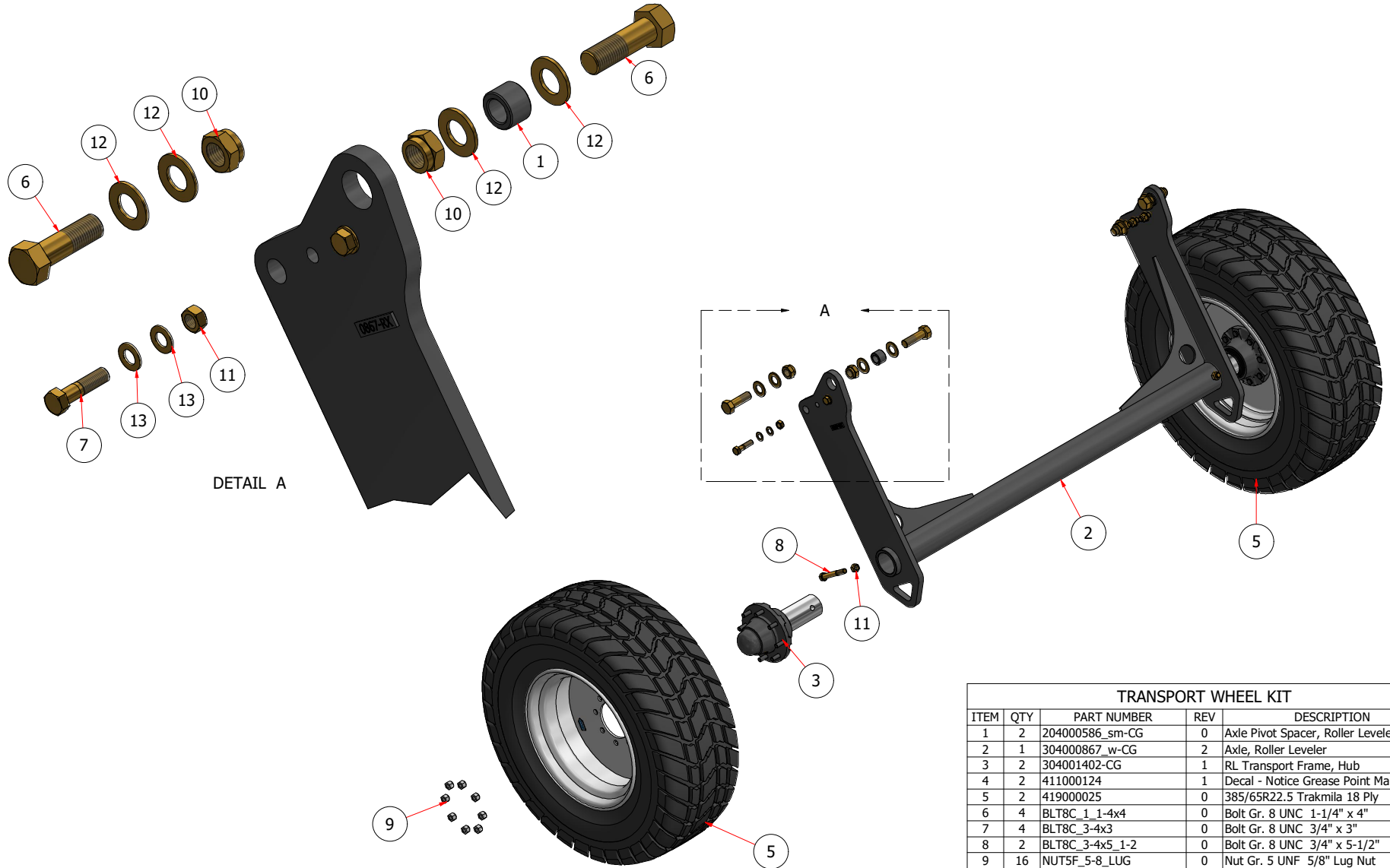


301100314 Kit	
QTY	DESCRIPTION
2	Bolt Gr. 8 UNC 1/4" x 3/4"
2	Nut Gr. 8 UNC 1/4" Stover Lock
1	Slow Moving Vehicle Sign
2	Washer Gr. 8 - 1/4" Structural

## SECTION 2.02

### STRUCTURAL

2401 RL12-14 OPTIONAL TRANSPORT WHEEL KIT  
(304100128 Kit)



DETAIL A

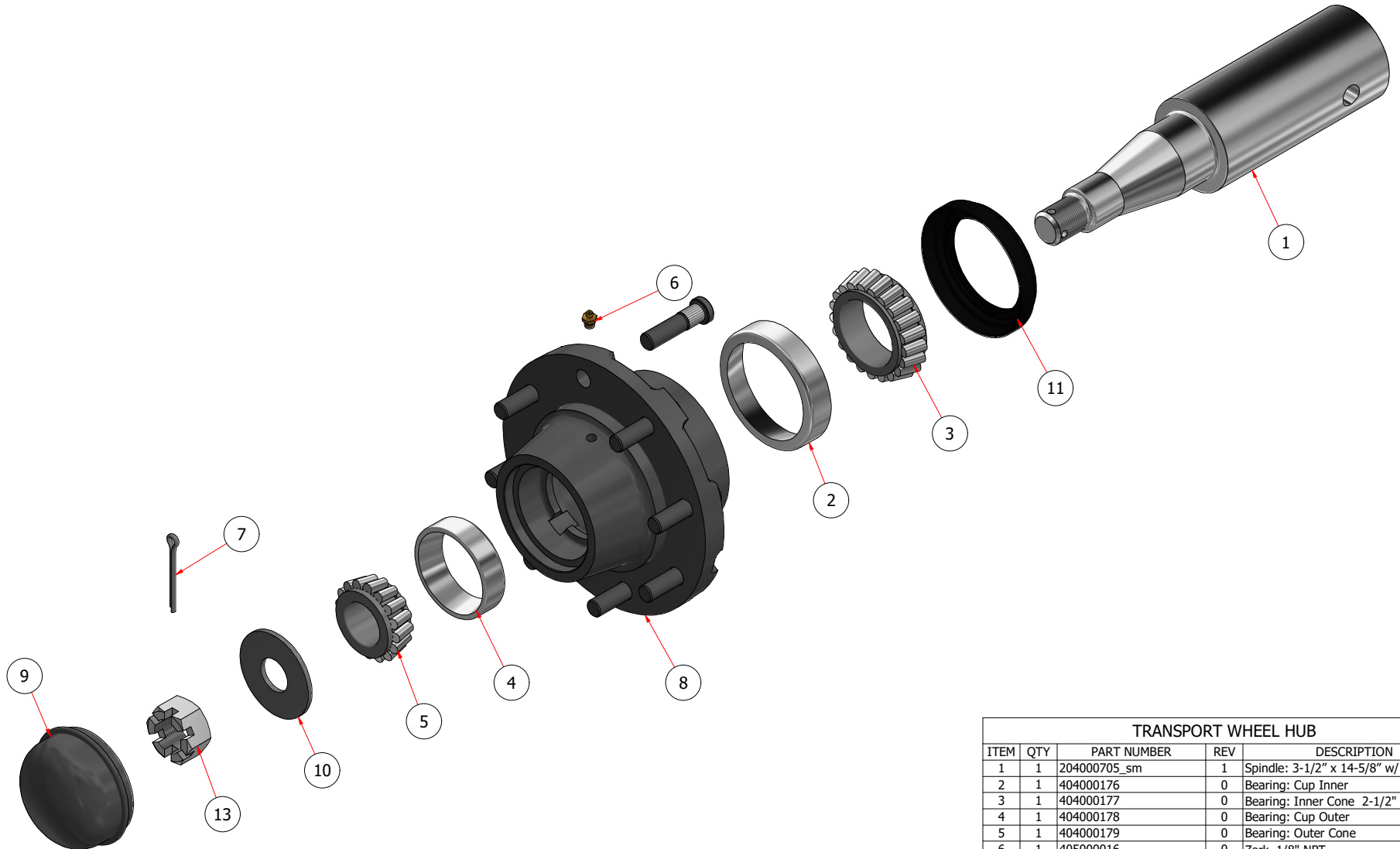
TRANSPORT WHEEL KIT

ITEM	QTY	PART NUMBER	REV	DESCRIPTION
1	2	204000586_sm-CG	0	Axle Pivot Spacer, Roller Leveler
2	1	304000867_w-CG	2	Axle, Roller Leveler
3	2	304001402-CG	1	RL Transport Frame, Hub
4	2	411000124	1	Decal - Notice Grease Point Marker
5	2	419000025	0	385/65R22.5 Trakmila 18 Ply
6	4	BLT8C_1_1-4x4	0	Bolt Gr. 8 UNC 1-1/4" x 4"
7	4	BLT8C_3-4x3	0	Bolt Gr. 8 UNC 3/4" x 3"
8	2	BLT8C_3-4x5_1-2	0	Bolt Gr. 8 UNC 3/4" x 5-1/2"
9	16	NUT5F_5-8_LUG	0	Nut Gr. 5 UNF 5/8" Lug Nut
10	4	NUT8C_1_1-4_STL	0	Nut Gr. 8 UNC 1-1/4" Stover Lock
11	6	NUT8C_3-4_STL	0	Nut Gr. 8 UNC 3/4" Stover Lock
12	8	WSH8_1_1-4_STR	0	Washer Gr. 8 - 1-1/4" Structural
13	8	WSH8_3-4_STR	0	Washer Gr. 8 - 3/4" Structural

## SECTION 2.02

### STRUCTURAL

2401 RL12-14 OPTIONAL TRANSPORT WHEEL HUB  
(304001402-R1-CG)



TRANSPORT WHEEL HUB

ITEM	QTY	PART NUMBER	REV	DESCRIPTION
1	1	204000705_sm	1	Spindle: 3-1/2" x 14-5/8" w/ X Hole
2	1	404000176	0	Bearing: Cup Inner
3	1	404000177	0	Bearing: Inner Cone 2-1/2" ID
4	1	404000178	0	Bearing: Cup Outer
5	1	404000179	0	Bearing: Outer Cone
6	1	405000016	0	Zerk, 1/8" NPT
7	1	405000188	0	Cotter Pin 3/16" x 2 1/2"
8	1	406000043	0	Casted Hub, I-900
9	1	406100015	0	Cap: Hub 50CS/950
10	1	409000117	0	WSH: Spindle 1-1/4 ID x 3-1/4" (I-900)
11	1	422000156	0	Grease Seal, (CR A8020)
12	8	BLT8F_5-8x2_1-2_STUD	0	Bolt Gr. 8 UNF 5/8"-16 x 2-1/2" Stud
13	1	NUT2F_1_1-4_CST	0	Nut: 1 1/4"-12 Slotted Hex Nut

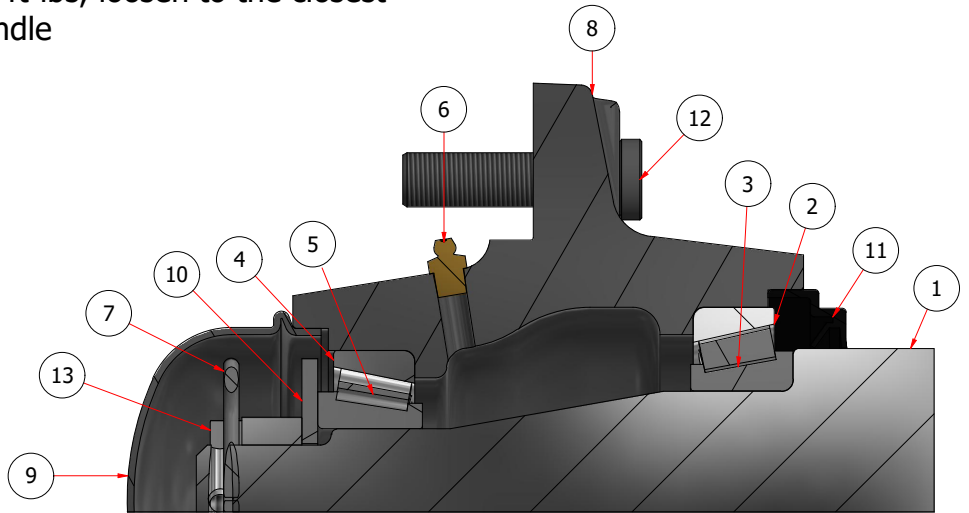
## SECTION 2.02

### STRUCTURAL

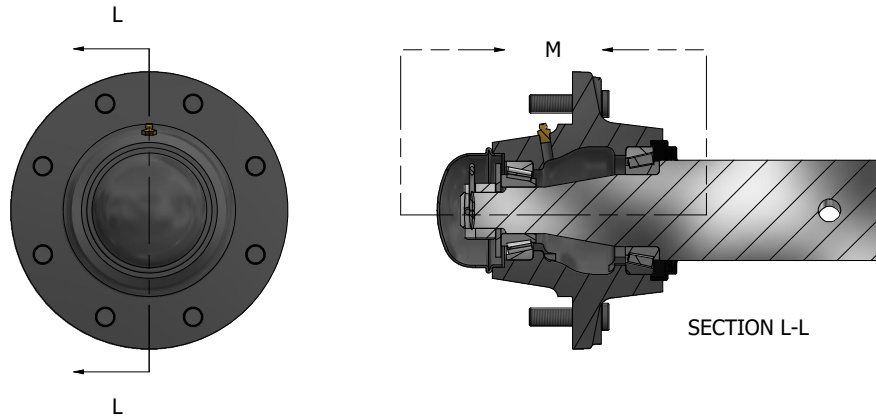
2401 RL12-14 OPTIONAL TRANSPORT WHEEL HUB  
(304001402-R1-CG)

1. Pack Inner (3) and outer (5) roller bearings with **Mobilgrease XHP 222**
2. Press studs (12) into hub (8) if not already completed
3. Press outer races (4, 2) into hub if not already completed **CHECK ORIENTATION**
4. Slide Inner Cup/Roller Bearing (3) onto the spindle (1) and seat at the shoulder
5. Slide the spindle with bearing into the hub until the roller bearing seats on the Inner Race (2)
6. Slide the outer Cup/Roller Bearing (5) onto the spindle and seat at the Outer Race (4)
7. Place the Spindle Washer (10) on the spindle pressed to the Outer Roller Bearing (5)
8. Thread on the Castle Nut (13) by hand until pressed to the Spindle Washer (10) tighten to 65 ft-lbs while rotating the hub. Loosen the nut and re-tighten to 6 ft-lbs, loosen to the closest notch in the Castle Nut (13) that aligns with the hole in the spindle
9. Insert Cotter Pin (7) and bend ends to set in place
10. Place Dust Cap (9). Gently hammer in place with rubber mallet
11. Insert Grease Zerk (6) and tighten
12. Add **Mobilgrease XHP 222** to the hub

**HUB ASSEMBLY IS COMPLETE**



DETAIL M



SECTION L-L

TRANSPORT WHEEL HUB

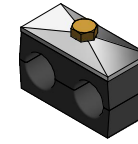
ITEM	QTY	PART NUMBER	REV	DESCRIPTION
1	1	204000705_sm	1	Spindle: 3-1/2" x 14-5/8" w/ X Hole
2	1	404000176	0	Bearing: Cup Inner
3	1	404000177	0	Bearing: Inner Cone 2-1/2" ID
4	1	404000178	0	Bearing: Cup Outer
5	1	404000179	0	Bearing: Outer Cone
6	1	405000016	0	Zerk, 1/8" NPT
7	1	405000188	0	Cotter Pin 3/16" x 2 1/2"
8	1	406000043	0	Casted Hub, I-900
9	1	406100015	0	Cap: Hub 50CS/950
10	1	409000117	0	WSH: Spindle 1-1/4 ID x 3-1/4" (I-900)
11	1	422000156	0	Grease Seal, (CR A8020)
12	8	BLT8F_5-8x2_1-2_STUD	0	Bolt Gr. 8 UNF 5/8"-16 x 2-1/2" Stud
13	1	NUT2F_1_1-4_CST	0	Nut: 1 1/4"-12 Slotted Hex Nut

# SECTION 3.00

## HYDRAULICS

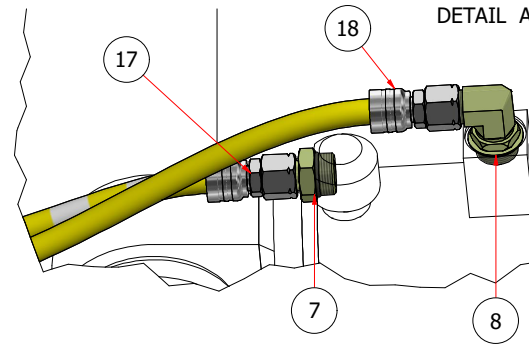
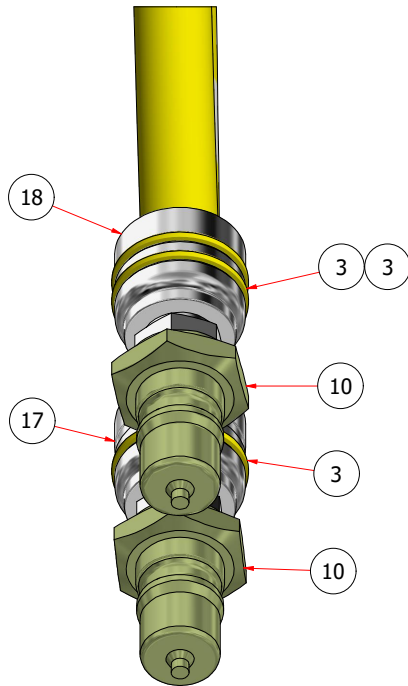
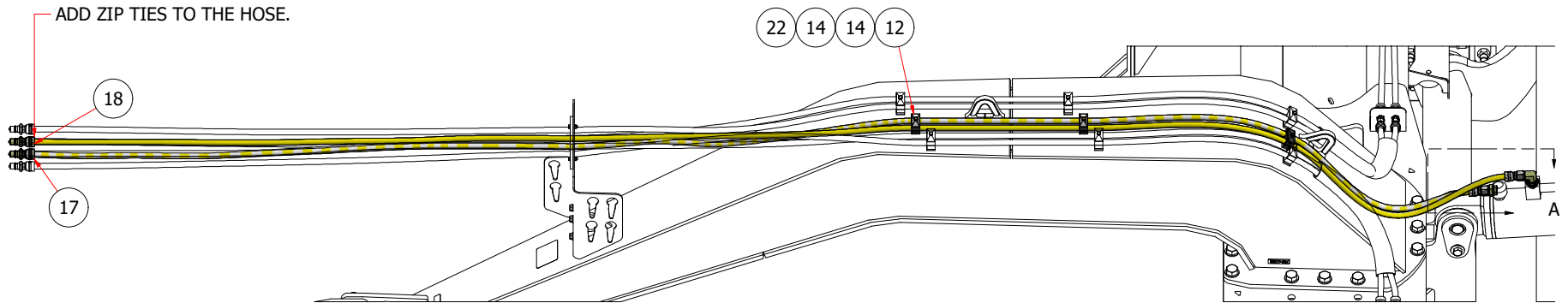
2401 RL12-14 BASE HYDRAULICS  
(THIS IS NEEDED FOR ALL ROLLER LAND LEVELERS)

### KITS



407610318

QTY	DESCRIPTION
1	Bolt Gr. 8 UNC 5/16" x 1-3/4"
1	Clamp Twin DIN 3015
2	Hose Clamp Half Twin 3D 21.3 mm



### BASE HYDRAULIC COMPONENTS

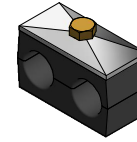
ITEM	QTY	PART NUMBER	REV	DESCRIPTION
3	3	405000053	0	Yellow Zip Tie
7	1	4071_16mb_12mj	0	Adapter MORB-16 x MJIC-12
8	1	4071_16mb_12mj90	0	Elbow 90 deg MORB-16 x MJIC-12
10	2	407300026	0	Tip (ISO 7241-1) 1/2" Body ORB-08
12	3	407600336	0	Pipe Clamps Twin Series, Cover Plate
14	6	407600337	0	Hose Clamp Half Twin 3D 21.3 mm
17	1	42408_237-0008mb12fjx	2	Hose - 08_237.00E_08mb 12fjx
18	1	42408_242-0008mb12fjx	1	Hose - 08_242.00E_08mb 12fjx
22	3	BLT8C_5-16x1_3-4	0	Bolt Gr. 8 UNC 5/16" x 1-3/4"

# SECTION 3.00

## HYDRAULICS

2401 RL12 TILT HYDRAULICS  
(ADDED OPTIONAL TILT FUNCTIONS)

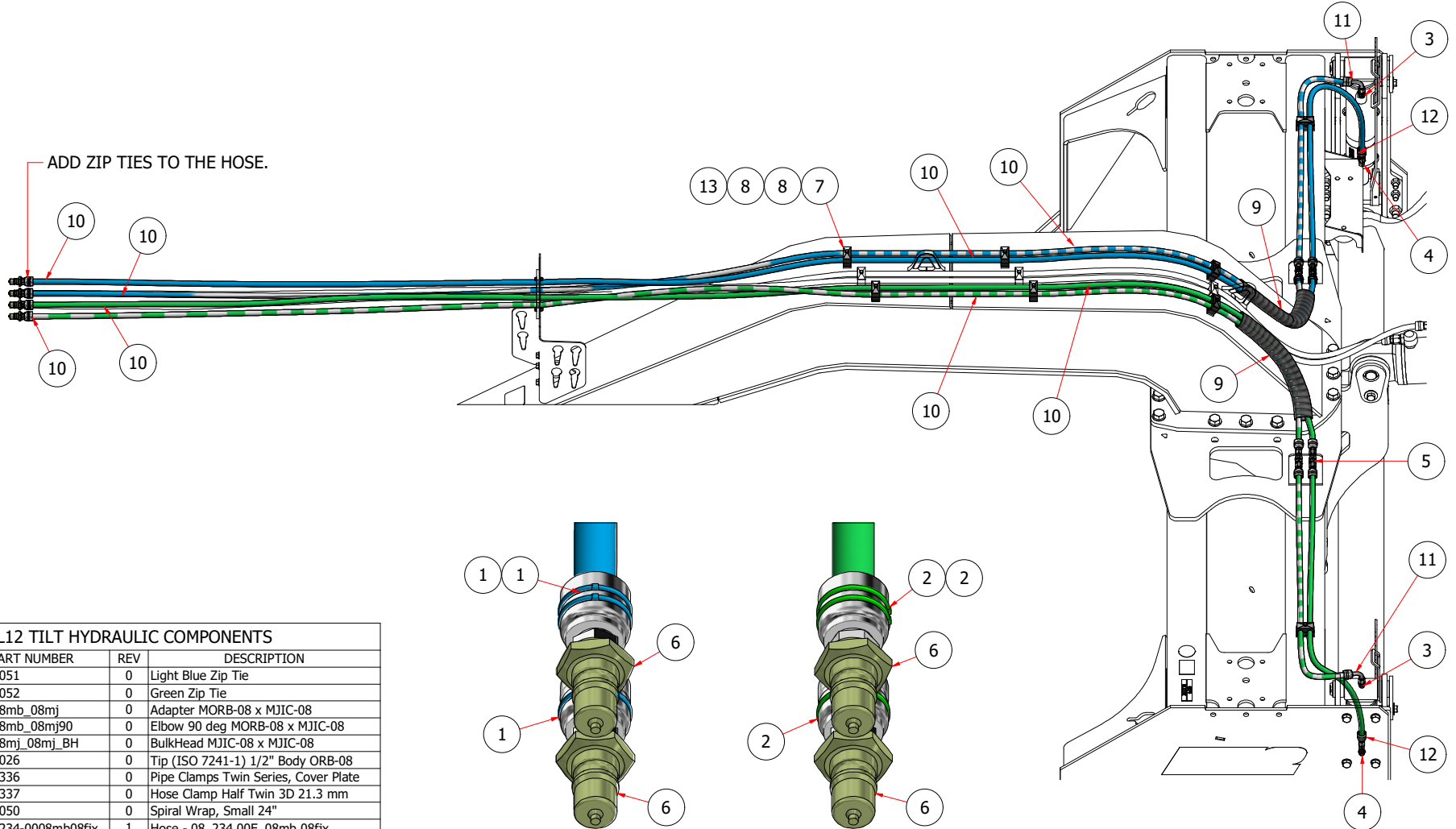
### KITS



407610318

QTY	DESCRIPTION
1	Bolt Gr. 8 UNC 5/16" x 1-3/4"
1	Clamp Twin DIN 3015
2	Hose Clamp Half Twin 3D 21.3 mm

ADD ZIP TIES TO THE HOSE.



RL12 TILT HYDRAULIC COMPONENTS

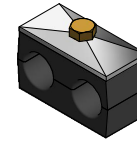
ITEM	QTY	PART NUMBER	REV	DESCRIPTION
1	3	405000051	0	Light Blue Zip Tie
2	3	405000052	0	Green Zip Tie
3	2	4071_08mb_08mj	0	Adapter MORB-08 x MJIC-08
4	2	4071_08mb_08mj90	0	Elbow 90 deg MORB-08 x MJIC-08
5	4	4071_08mj_08mj_BH	0	BulkHead MJIC-08 x MJIC-08
6	4	407300026	0	Tip (ISO 7241-1) 1/2" Body ORB-08
7	8	407600336	0	Pipe Clamps Twin Series, Cover Plate
8	16	407600337	0	Hose Clamp Half Twin 3D 21.3 mm
9	2	410100050	0	Spiral Wrap, Small 24"
10	4	42408_234-0008mb08fjx	1	Hose - 08_234.00E_08mb 08fjx
11	2	42408_47-0008fjx08fjx90	1	Hose - 08_47.00E_08fjx 08fjx90
12	2	42408_58-0008fjx08fjx	0	Hose - 08_58.00E_08fjx 08fjx
13	8	BLT8C_5-16x1_3-4	0	Bolt Gr. 8 UNC 5/16" x 1-3/4"

# SECTION 3.00

## HYDRAULICS

2401 RL14 TILT HYDRAULICS  
(ADDED OPTIONAL TILT FUNCTIONS)

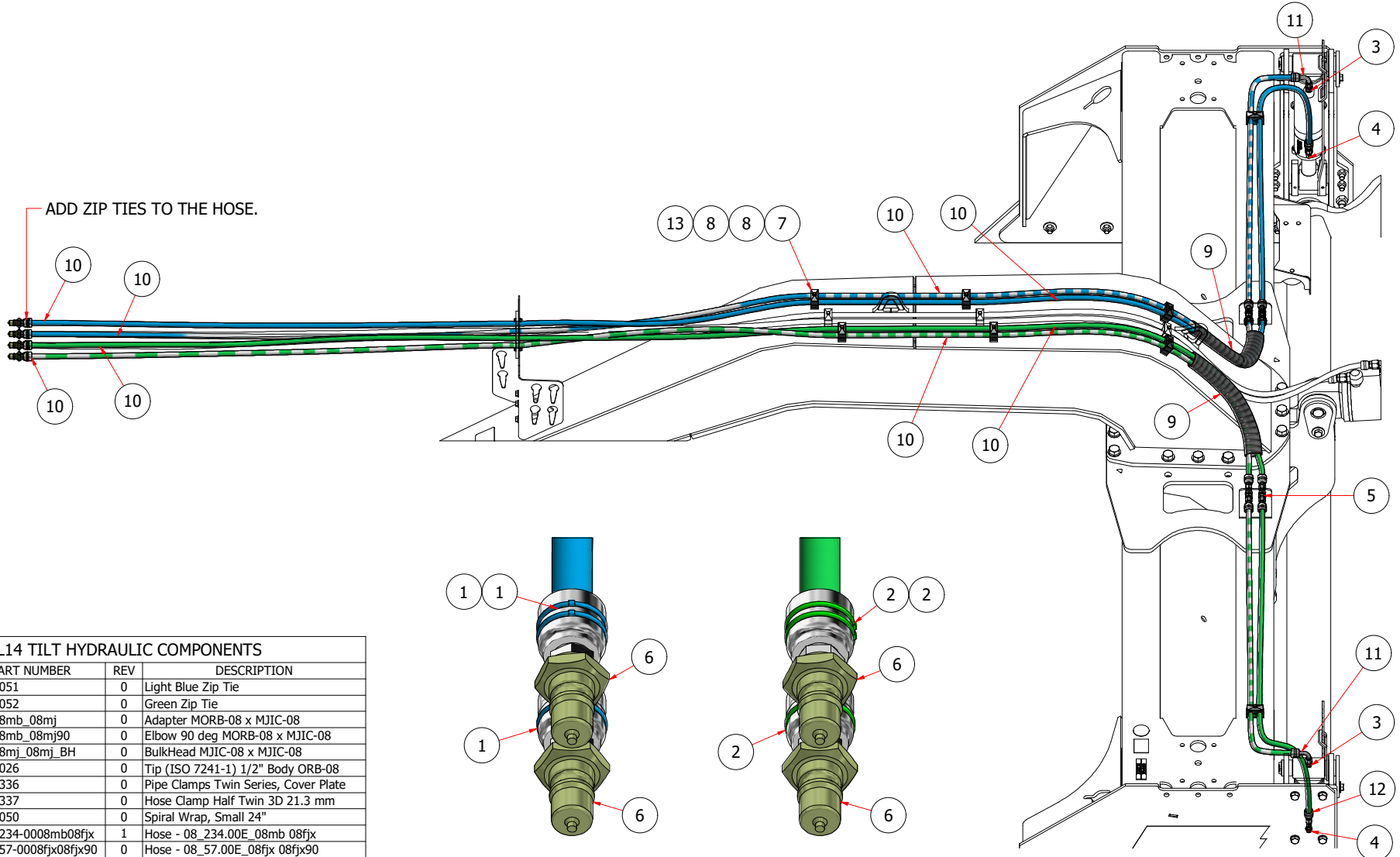
### KITS



407610318

QTY	DESCRIPTION
1	Bolt Gr. 8 UNC 5/16" x 1-3/4"
1	Clamp Twin DIN 3015
2	Hose Clamp Half Twin 3D 21.3 mm

ADD ZIP TIES TO THE HOSE.



RL14 TILT HYDRAULIC COMPONENTS

ITEM	QTY	PART NUMBER	REV	DESCRIPTION
1	3	405000051	0	Light Blue Zip Tie
2	3	405000052	0	Green Zip Tie
3	2	4071_08mb_08mj	0	Adapter MORB-08 x MJIC-08
4	2	4071_08mb_08mj90	0	Elbow 90 deg MORB-08 x MJIC-08
5	4	4071_08mj_08mj_BH	0	BulkHead MJIC-08 x MJIC-08
6	4	407300026	0	Tip (ISO 7241-1) 1/2" Body ORB-08
7	8	407600336	0	Pipe Clamps Twin Series, Cover Plate
8	16	407600337	0	Hose Clamp Half Twin 3D 21.3 mm
9	2	410100050	0	Spiral Wrap, Small 24"
10	4	42408_234-0008mb08fjx	1	Hose - 08_234.00E_08mb 08fjx
11	2	42408_57-0008fjx08fjx90	0	Hose - 08_57.00E_08fjx 08fjx90
12	2	42408_68-0008fjx08fjx	0	Hose - 08_68.00E_08fjx 08fjx
13	8	BLT8C_5-16x1_3-4	0	Bolt Gr. 8 UNC 5/16" x 1-3/4"

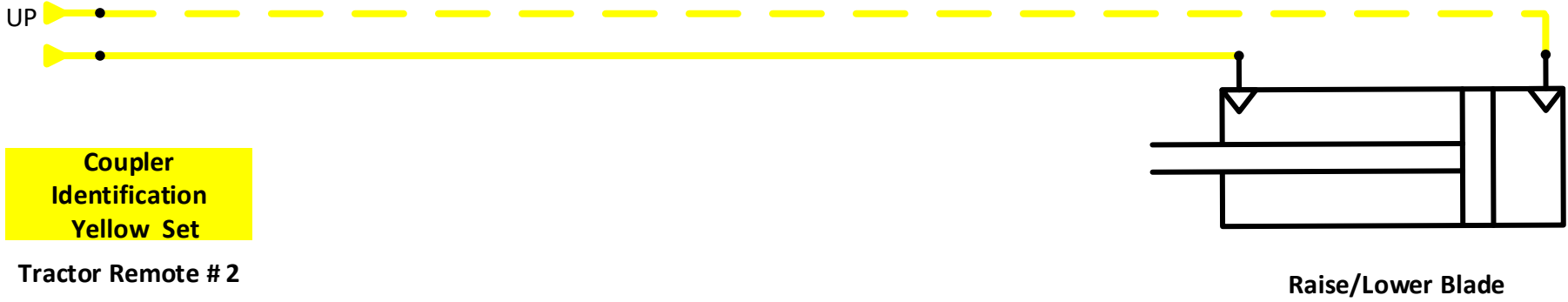


# SECTION 3.00

## HYDRAULICS

RL12-14 HYDRAULIC SCHEMATIC - ALL

Solid lines = 1 Color Band at Quick Coupler  
Dotted Lines = 2 Colour Bands at Quick Coupler

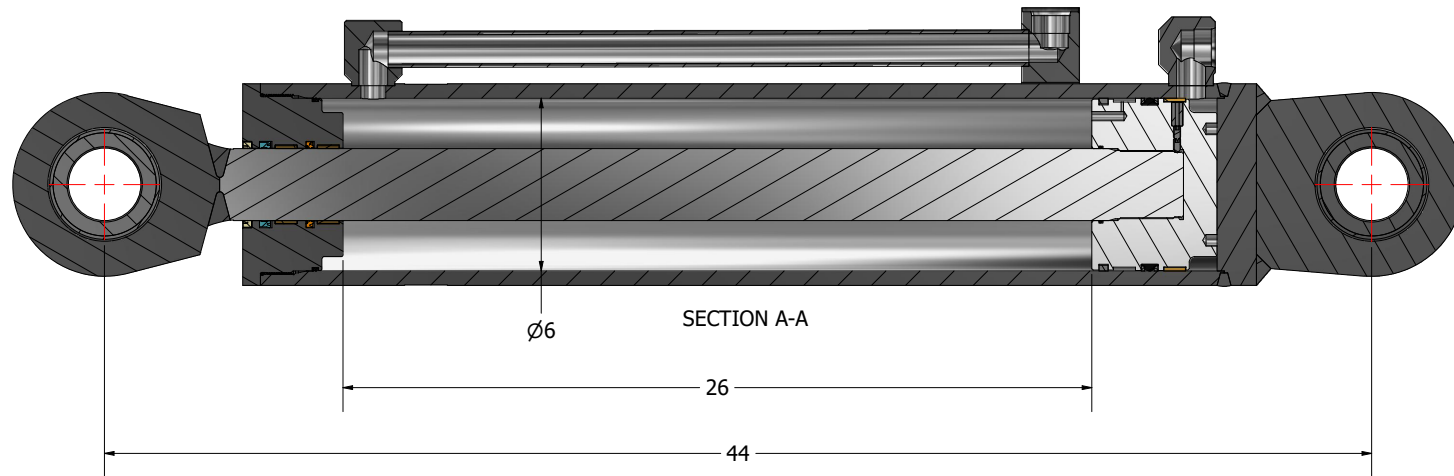
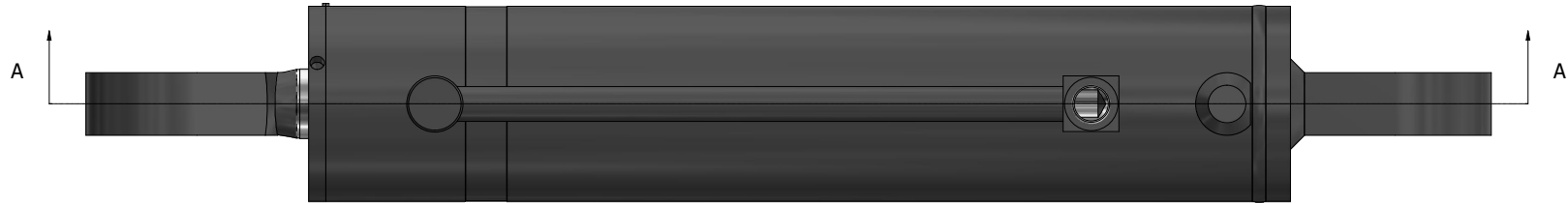


## SECTION 4.00

### HYDRAULIC CYLINDERS

2401 RL12-14 LIFT CYLINDER

PLEASE CONTACT DEALER FOR REPLACEMENT SEAL KITS



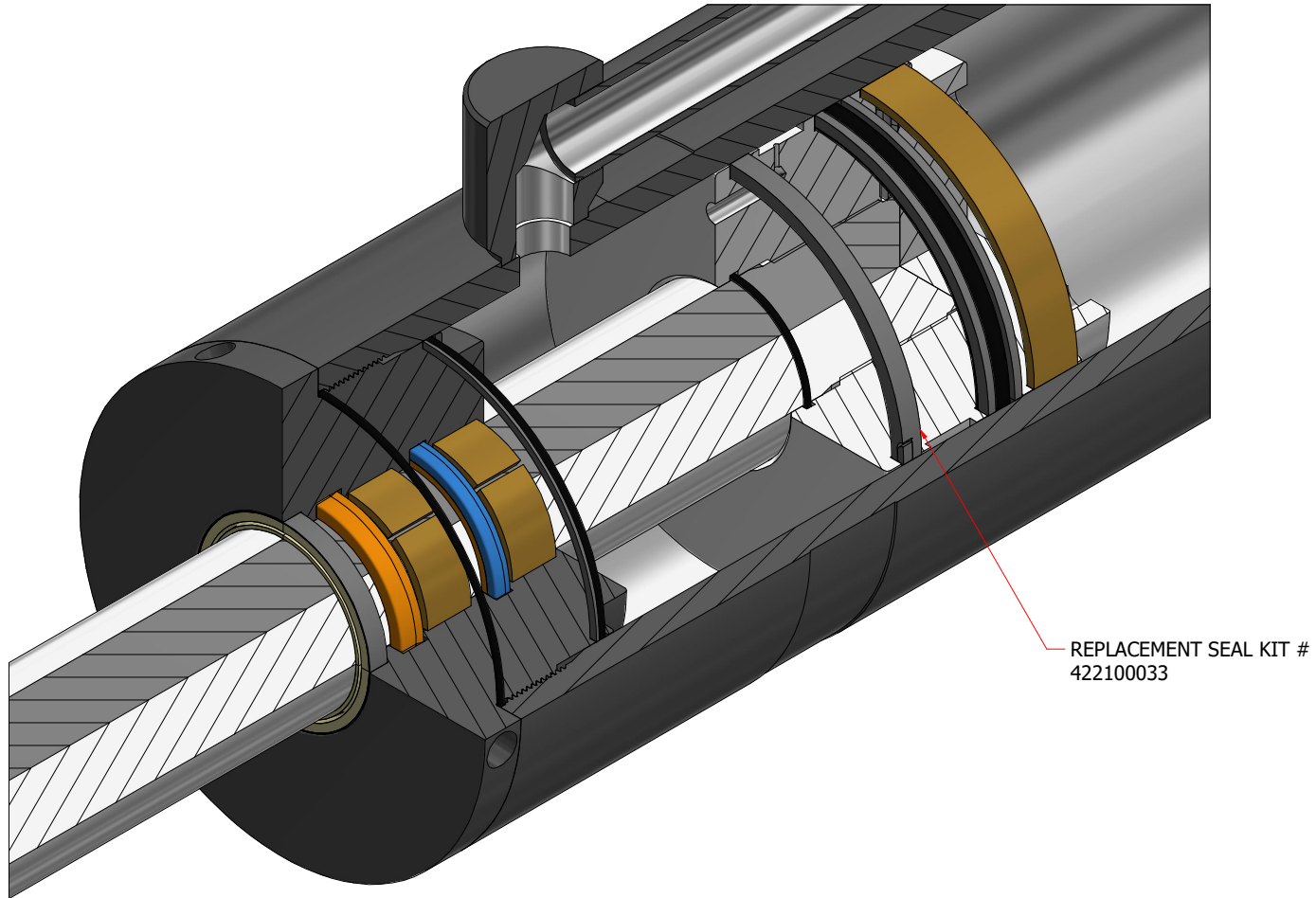
401200016-CG  
Lift Cyl, Roller Leveler (160400-03 RR)

## SECTION 4.00

### HYDRAULIC CYLINDERS

2401 RL12-14 LIFT CYLINDER

PLEASE CONTACT DEALER FOR REPLACEMENT SEAL KITS



CYLINDER REPLACEMENT SEAL KIT  
CYLINDER IS FOR REFERENCE ONLY (NOT INCLUDED)

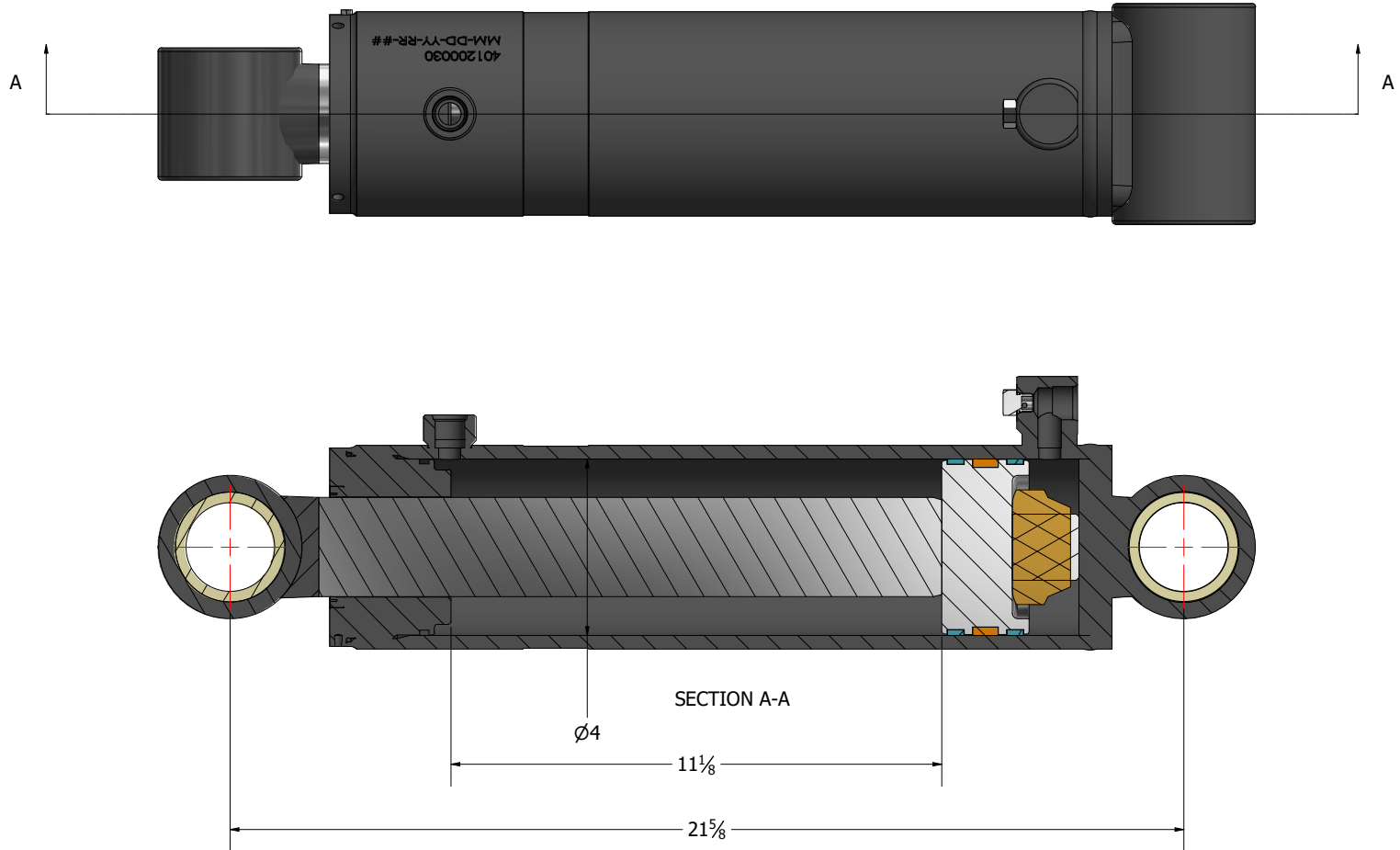
422100033  
Seal Kit for 401200016-CG (160400-0B RR)

## SECTION 4.00

### HYDRAULIC CYLINDERS

2401 RL12-14 TILT CYLINDER

PLEASE CONTACT DEALER FOR REPLACEMENT SEAL KITS



THIS IS HOW THE CYLINDER IS PURCHASED

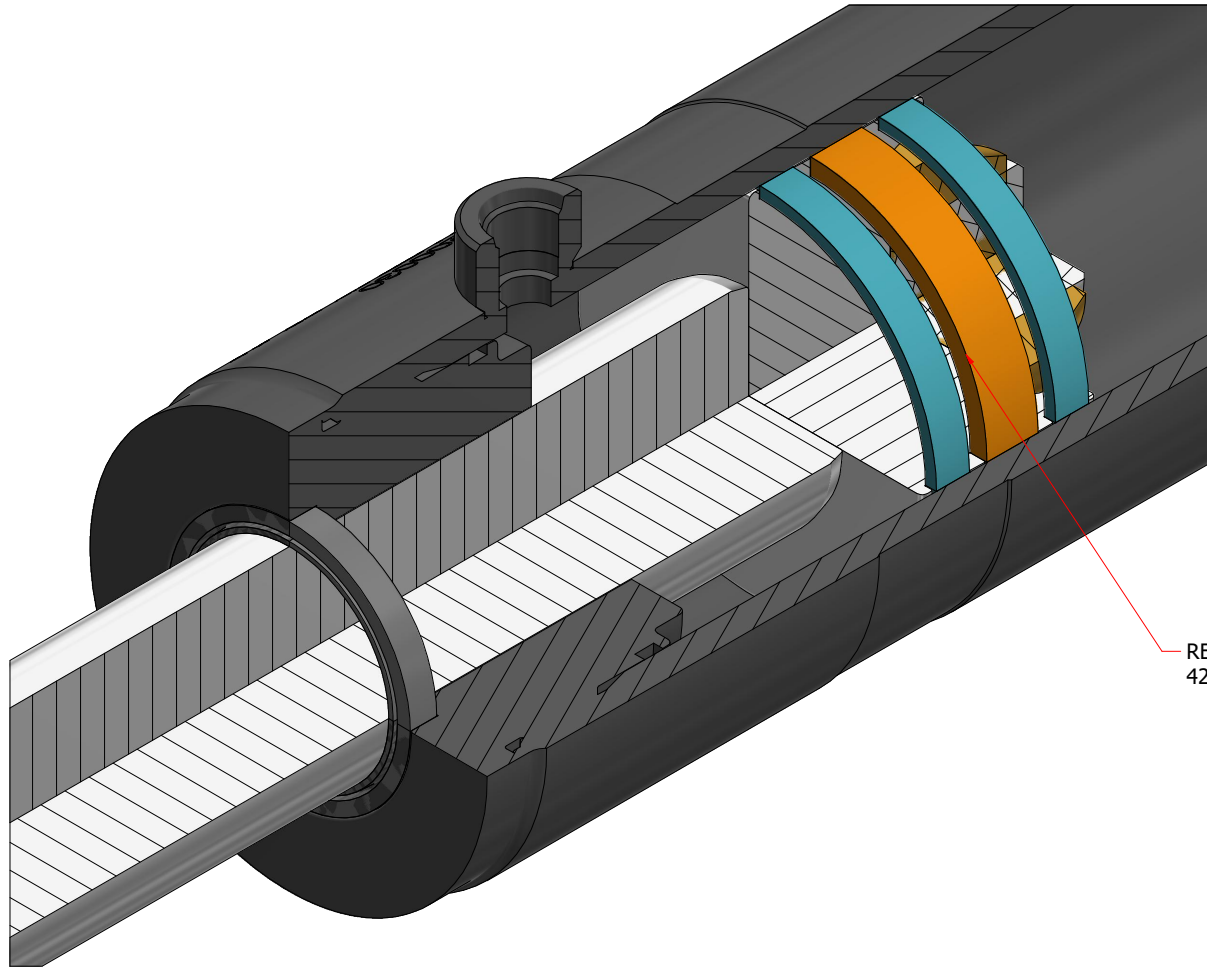
401200030-CG  
Gate Cyl. EJB (140650A-00)

## SECTION 4.00

### HYDRAULIC CYLINDERS

2401 RL12-14 TILT CYLINDER

PLEASE CONTACT DEALER FOR REPLACEMENT SEAL KITS



REPLACEMENT SEAL KIT #  
422100060

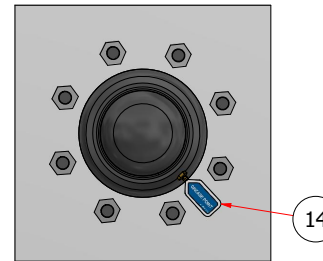
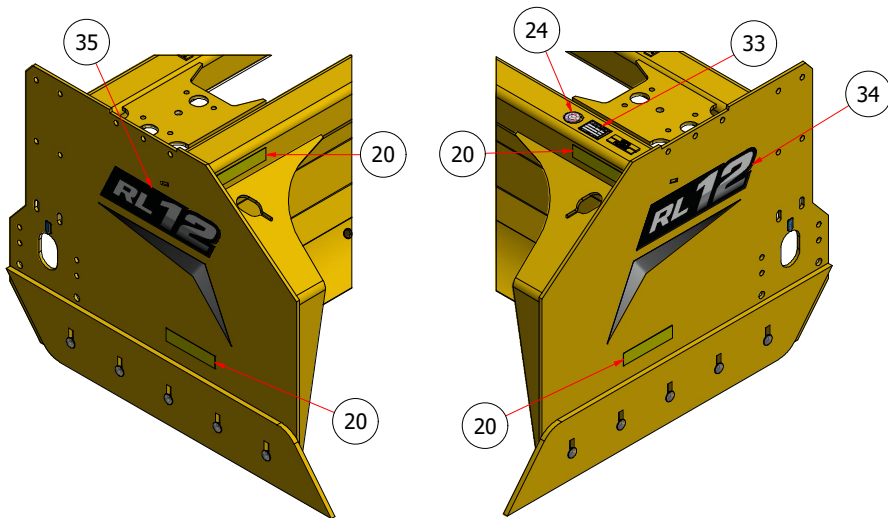
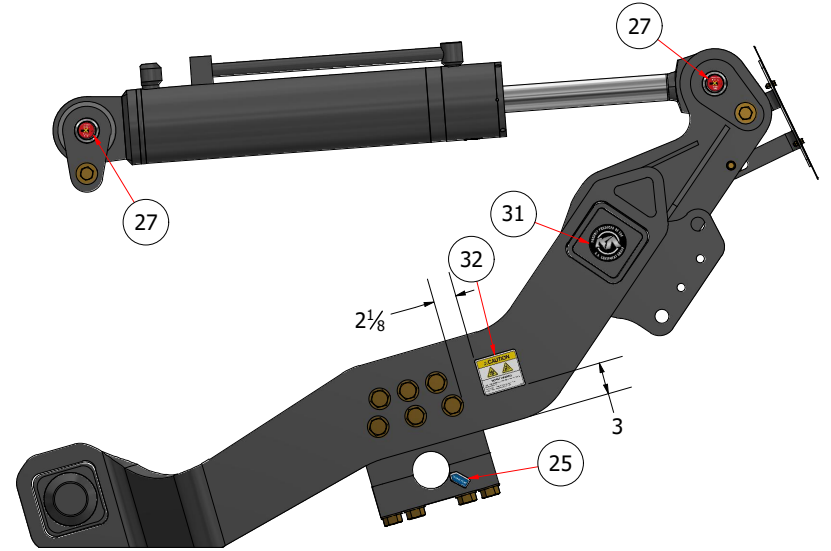
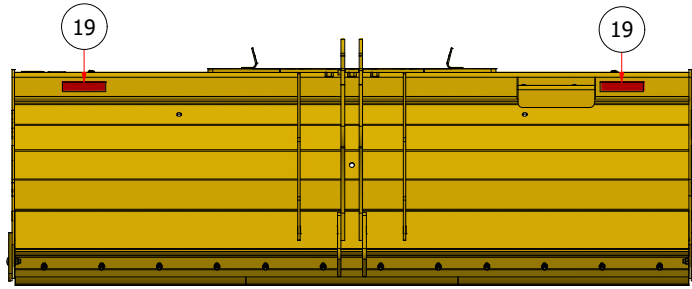
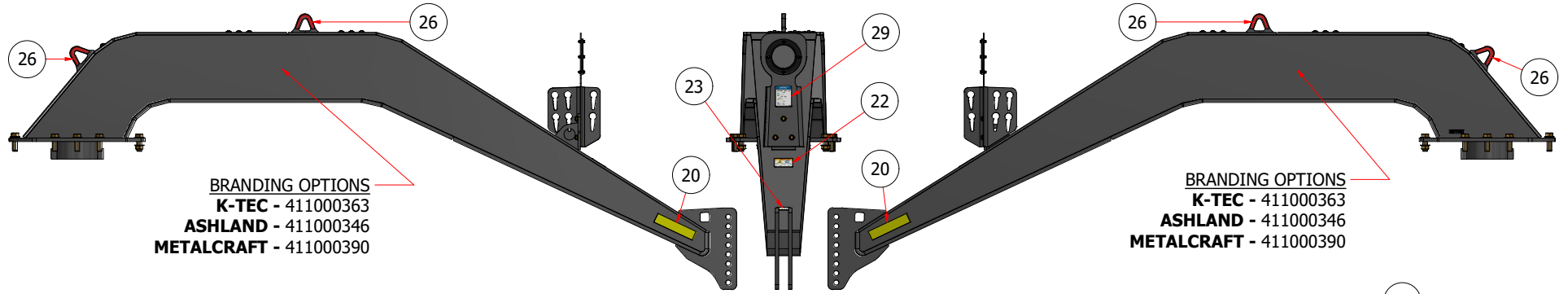
CYLINDER REPLACEMENT SEAL KIT  
CYLINDER IS FOR REFERENCE ONLY (NOT INCLUDED)

422100060  
Seal Kit for 401200030-CG (140650-00 RR)

# SECTION 5.00

## DECAL

### 2401 RL12 DECAL PLACEMENT

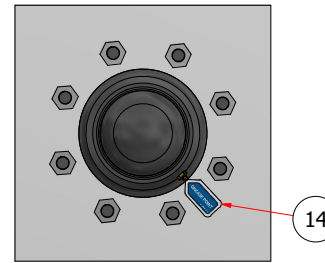
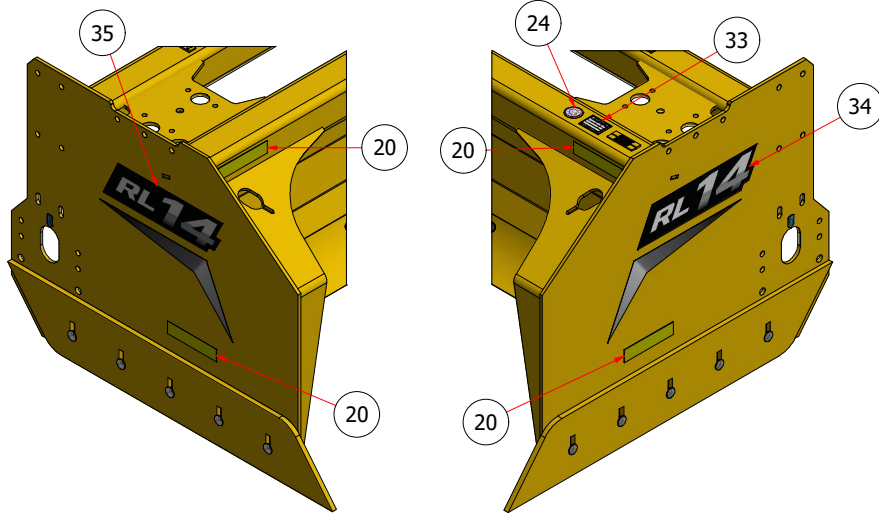
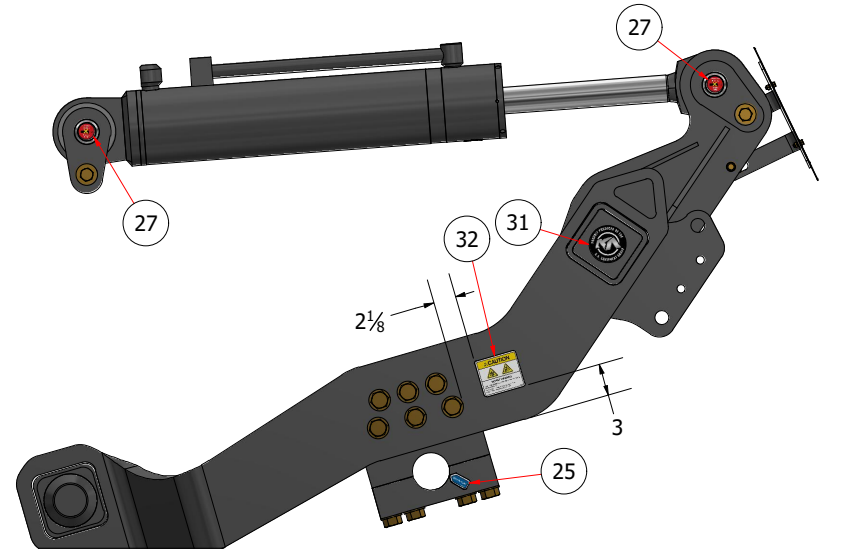
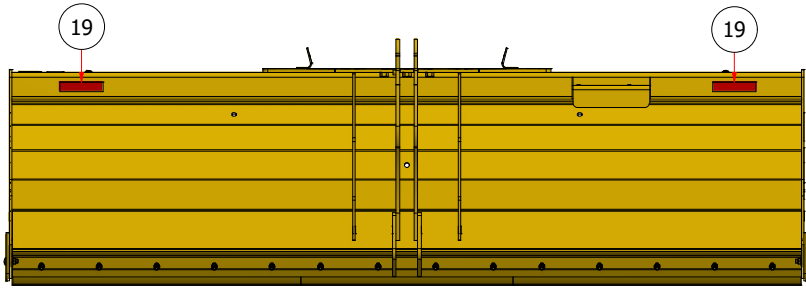
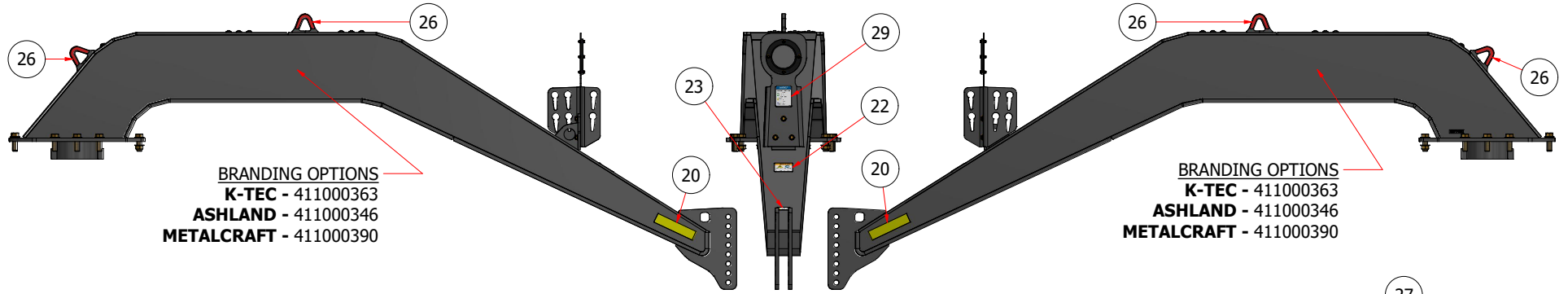


RL12 DECALS				
ITEM	QTY	PART NUMBER	REV	DESCRIPTION
19	4	411000003	0	Decal - Reflective Tape, Red
20	6	411000004	0	Decal - Reflective Tape, Yellow
22	1	411000040	2	Decal - Warning High-Pressure Hyd
23	1	411000097	1	Decal - Warning Pinch Small
24	1	411000115	2	Decal - Quality Check
25	4	411000124	1	Decal - Notice Grease Point Marker
26	4	411000206	0	Decal - Lift Hook Highlight, Knuckle
27	2	411000278	1	Decal - Greaseless Point Round
29	1	411000359	1	Decal - RL Notice Color Code
31	2	411000391	0	Decal - KA Equipment Group Badge
32	2	411000416	0	Decal - Caution, Burst Hazard
33	1	411000419	0	Decal - KA, Serial Plate
34	1	411000420	0	Decal - RL12 Logo LT
35	1	411000421	0	Decal - RL12 Logo RT

# SECTION 5.00

## DECAL

### 2401 RL14 DECAL PLACEMENT



RL14 DECALS				
ITEM	QTY	PART NUMBER	REV	DESCRIPTION
19	4	411000003	0	Decal - Reflective Tape, Red
20	6	411000004	0	Decal - Reflective Tape, Yellow
22	1	411000040	2	Decal - Warning High-Pressure Hyd
23	1	411000097	1	Decal - Warning Pinch Small
24	1	411000115	2	Decal - Quality Check
25	4	411000124	1	Decal - Notice Grease Point Marker
26	4	411000206	0	Decal - Lift Hook Highlight, Knuckle
27	2	411000278	1	Decal - Greaseless Point Round
29	1	411000359	1	Decal - RL Notice Color Code
31	2	411000391	0	Decal - KA Equipment Group Badge
32	2	411000416	0	Decal - Caution, Burst Hazard
33	1	411000419	0	Decal - KA, Serial Plate
34	1	411000422	0	Decal - RL14 Logo LT
35	1	411000423	0	Decal - RL14 Logo RT

# SECTION 6.00

## CUTTING EDGES

### ROLLER LAND LEVELER REPLACEMENT CUTTING EDGES

#### CUTTING EDGES

<p>44 1/4", CURVED BLADE</p> <table border="1"> <tr><td colspan="2">414000072</td></tr> <tr><th>QTY</th><th>DESCRIPTION</th></tr> <tr><td>1</td><td>Curved Blade 5/8" x 8" x 44-1/4"</td></tr> </table>	414000072		QTY	DESCRIPTION	1	Curved Blade 5/8" x 8" x 44-1/4"	<p>44 1/4", STRAIGHT BLADE</p> <table border="1"> <tr><td colspan="2">414000075</td></tr> <tr><th>QTY</th><th>DESCRIPTION</th></tr> <tr><td>1</td><td>Center Bit 1/2" x 7" x 4"</td></tr> </table>	414000075		QTY	DESCRIPTION	1	Center Bit 1/2" x 7" x 4"	<p>44 1/4", SERRATED STRAIGHT BLADE</p> <table border="1"> <tr><td colspan="2">414000074</td></tr> <tr><th>QTY</th><th>DESCRIPTION</th></tr> <tr><td>1</td><td>Cutting Edge 1/2" x 7" x 4", 6" Serrated</td></tr> </table>	414000074		QTY	DESCRIPTION	1	Cutting Edge 1/2" x 7" x 4", 6" Serrated
414000072																				
QTY	DESCRIPTION																			
1	Curved Blade 5/8" x 8" x 44-1/4"																			
414000075																				
QTY	DESCRIPTION																			
1	Center Bit 1/2" x 7" x 4"																			
414000074																				
QTY	DESCRIPTION																			
1	Cutting Edge 1/2" x 7" x 4", 6" Serrated																			
<p>48", CURVED BLADE</p> <table border="1"> <tr><td colspan="2">414000037</td></tr> <tr><th>QTY</th><th>DESCRIPTION</th></tr> <tr><td>1</td><td>Curved Blade 5/8" x 8" x 4"</td></tr> </table>	414000037		QTY	DESCRIPTION	1	Curved Blade 5/8" x 8" x 4"	<p>47 15/16", STRAIGHT BLADE</p> <table border="1"> <tr><td colspan="2">414000036-R1</td></tr> <tr><th>QTY</th><th>DESCRIPTION</th></tr> <tr><td>1</td><td>Center Bit 1/2" x 7" x 4"</td></tr> </table>	414000036-R1		QTY	DESCRIPTION	1	Center Bit 1/2" x 7" x 4"	<p>47 15/16", SERRATED STRAIGHT BLADE</p> <table border="1"> <tr><td colspan="2">414000035-R1</td></tr> <tr><th>QTY</th><th>DESCRIPTION</th></tr> <tr><td>1</td><td>Cutting Edge 1/2" x 7" x 4", 6" Serrated</td></tr> </table>	414000035-R1		QTY	DESCRIPTION	1	Cutting Edge 1/2" x 7" x 4", 6" Serrated
414000037																				
QTY	DESCRIPTION																			
1	Curved Blade 5/8" x 8" x 4"																			
414000036-R1																				
QTY	DESCRIPTION																			
1	Center Bit 1/2" x 7" x 4"																			
414000035-R1																				
QTY	DESCRIPTION																			
1	Cutting Edge 1/2" x 7" x 4", 6" Serrated																			
<p>60", CURVED BLADE</p> <table border="1"> <tr><td colspan="2">414000024</td></tr> <tr><th>QTY</th><th>DESCRIPTION</th></tr> <tr><td>1</td><td>Curved Blade 5/8" x 8" x 5"</td></tr> </table>	414000024		QTY	DESCRIPTION	1	Curved Blade 5/8" x 8" x 5"	<p>60", STRAIGHT BLADE</p> <table border="1"> <tr><td colspan="2">414000034</td></tr> <tr><th>QTY</th><th>DESCRIPTION</th></tr> <tr><td>1</td><td>Center Bit 1/2" x 7" x 5"</td></tr> </table>	414000034		QTY	DESCRIPTION	1	Center Bit 1/2" x 7" x 5"	<p>60", SERRATED STRAIGHT BLADE</p> <table border="1"> <tr><td colspan="2">414000033</td></tr> <tr><th>QTY</th><th>DESCRIPTION</th></tr> <tr><td>1</td><td>Cutting Edge 1/2" x 7" x 5", 6" Serrated</td></tr> </table>	414000033		QTY	DESCRIPTION	1	Cutting Edge 1/2" x 7" x 5", 6" Serrated
414000024																				
QTY	DESCRIPTION																			
1	Curved Blade 5/8" x 8" x 5"																			
414000034																				
QTY	DESCRIPTION																			
1	Center Bit 1/2" x 7" x 5"																			
414000033																				
QTY	DESCRIPTION																			
1	Cutting Edge 1/2" x 7" x 5", 6" Serrated																			

#### REPLACEMENT BOLTS

<p>*1 KIT PER EDGE</p> <table border="1"> <tr><td colspan="2">405100259 Kit</td></tr> <tr><th>QTY</th><th>DESCRIPTION</th></tr> <tr><td>4</td><td>Bolt Gr. 8 UNC 5/8" x 2" Plow</td></tr> <tr><td>4</td><td>Nut Gr. 8 UNC 5/8"</td></tr> <tr><td>4</td><td>Washer Gr. 8 - 5/8" Structural</td></tr> </table>	405100259 Kit		QTY	DESCRIPTION	4	Bolt Gr. 8 UNC 5/8" x 2" Plow	4	Nut Gr. 8 UNC 5/8"	4	Washer Gr. 8 - 5/8" Structural	<p>*1 KIT PER EDGE</p> <table border="1"> <tr><td colspan="2">405100258 Kit</td></tr> <tr><th>QTY</th><th>DESCRIPTION</th></tr> <tr><td>5</td><td>Bolt Gr. 8 UNC 5/8" x 2" Plow</td></tr> <tr><td>5</td><td>Washer Gr. 8 - 5/8" Structural</td></tr> <tr><td>5</td><td>Nut Gr. 8 UNC 5/8"</td></tr> </table>	405100258 Kit		QTY	DESCRIPTION	5	Bolt Gr. 8 UNC 5/8" x 2" Plow	5	Washer Gr. 8 - 5/8" Structural	5	Nut Gr. 8 UNC 5/8"	<p>*1 KIT PER EDGE</p> <table border="1"> <tr><td colspan="2">405100261 Kit</td></tr> <tr><th>QTY</th><th>DESCRIPTION</th></tr> <tr><td>4</td><td>Bolt Gr. 5 UNC 5/8" x 2" Carriage</td></tr> <tr><td>4</td><td>Nut Gr. 8 UNC 5/8"</td></tr> <tr><td>4</td><td>Washer Gr. 8 - 5/8" Structural</td></tr> </table>	405100261 Kit		QTY	DESCRIPTION	4	Bolt Gr. 5 UNC 5/8" x 2" Carriage	4	Nut Gr. 8 UNC 5/8"	4	Washer Gr. 8 - 5/8" Structural	<p>*1 KIT PER EDGE</p> <table border="1"> <tr><td colspan="2">405100260 Kit</td></tr> <tr><th>QTY</th><th>DESCRIPTION</th></tr> <tr><td>5</td><td>Bolt Gr. 5 UNC 5/8" x 2" Carriage</td></tr> <tr><td>5</td><td>Nut Gr. 8 UNC 5/8"</td></tr> <tr><td>5</td><td>Washer Gr. 8 - 5/8" Structural</td></tr> </table>	405100260 Kit		QTY	DESCRIPTION	5	Bolt Gr. 5 UNC 5/8" x 2" Carriage	5	Nut Gr. 8 UNC 5/8"	5	Washer Gr. 8 - 5/8" Structural
405100259 Kit																																											
QTY	DESCRIPTION																																										
4	Bolt Gr. 8 UNC 5/8" x 2" Plow																																										
4	Nut Gr. 8 UNC 5/8"																																										
4	Washer Gr. 8 - 5/8" Structural																																										
405100258 Kit																																											
QTY	DESCRIPTION																																										
5	Bolt Gr. 8 UNC 5/8" x 2" Plow																																										
5	Washer Gr. 8 - 5/8" Structural																																										
5	Nut Gr. 8 UNC 5/8"																																										
405100261 Kit																																											
QTY	DESCRIPTION																																										
4	Bolt Gr. 5 UNC 5/8" x 2" Carriage																																										
4	Nut Gr. 8 UNC 5/8"																																										
4	Washer Gr. 8 - 5/8" Structural																																										
405100260 Kit																																											
QTY	DESCRIPTION																																										
5	Bolt Gr. 5 UNC 5/8" x 2" Carriage																																										
5	Nut Gr. 8 UNC 5/8"																																										
5	Washer Gr. 8 - 5/8" Structural																																										

#### ROUTER BITS

<p>ROUTER BIT, FITS ALL MODELS *REQUIRES 1 PER SIDE</p> <table border="1"> <tr><td colspan="2">414000021</td></tr> <tr><th>QTY</th><th>DESCRIPTION</th></tr> <tr><td>1</td><td>Router Bit</td></tr> </table>	414000021		QTY	DESCRIPTION	1	Router Bit	<p>*1 KIT PER EDGE</p> <table border="1"> <tr><td colspan="2">405100131 Kit</td></tr> <tr><th>QTY</th><th>DESCRIPTION</th></tr> <tr><td>5</td><td>Bolt Gr. 5 UNC 3/4" x 2-1/2" Carriage</td></tr> <tr><td>5</td><td>Nut Gr. 8 UNC 3/4"</td></tr> <tr><td>5</td><td>Washer Gr. 8 - 3/4" Flat</td></tr> </table>	405100131 Kit		QTY	DESCRIPTION	5	Bolt Gr. 5 UNC 3/4" x 2-1/2" Carriage	5	Nut Gr. 8 UNC 3/4"	5	Washer Gr. 8 - 3/4" Flat
414000021																	
QTY	DESCRIPTION																
1	Router Bit																
405100131 Kit																	
QTY	DESCRIPTION																
5	Bolt Gr. 5 UNC 3/4" x 2-1/2" Carriage																
5	Nut Gr. 8 UNC 3/4"																
5	Washer Gr. 8 - 3/4" Flat																